

# HİDROMEK®

EKSKAVATÖR  
EXCAVATOR

**HMK 300LC3**



## YEDEK PARÇA KATALOĞU SPARE PARTS CATALOG

SERİ NO / SERIAL NO : 9125501- ISUZU  
BASKI TARİHİ / EDITION DATE : 02.03.2015  
KATALOG NO / CATALOG NO : H257322300



# ÖNSÖZ

HMK Ekskavatör İş Makinasını tercih ettiğiniz için teşekkür ederiz.

İyi bir servis hizmeti ve doğru parça seçimi için kataloğun kapsamı ile ilgili aşağıda belirtilen açıklamaları okuyunuz ve anlayınız.

## No

Gösterilen parçanın poz numarasını verir.

## Parça No

Resimde gösterilen parçaların parça numarasını gösterir.

## Parça Adı

Parçanın adını gösterir.

## Adet

Parçanın o sayfada yer alan gruptaki kullanım adedini gösterir.

## SK

Servis kodu kolonunda yer alan kısaltmaların aşağıda gösterildiği gibi kendilerine ait anlamları vardır.

K	→	Parçanın kit içinde yer aldığı anlamına gelir. Kitin içinde yer alan parçalar teker teker tedarik edilemez.
OP	→	Opsiyonel parça
NSP	→	Servis parçası değil.
S	→	Set. Set içinde yer alan parçalar teker teker tedarik edilebilir.

## Başlangıç Seri No (Bas. S. N.)

Parçanın kullanıldığı makinenin başlangıç seri numarasını gösterir.

Örneğin; 9134501 - → gösterilen parça 9134501'den itibaren kullanılmıştır.

## Bitiş Seri No (Bit. S. N.)

Parçanın kullanıldığı makinenin başlangıç seri numarasını gösterir.

Örneğin; - B134124 → gösterilen parça B134124'e kadar kullanılmıştır.

## Yerine Kullanım (Y. Kul.)

Parçaların birbirleri yerine kullanılabilirliğini ifade eder.

- A → Birbirlerinin yerine kullanılabilirler. (eski parça ↔ yeni parça)
- B → Biri diğerinin yerine kullanılabilir. (eski parça → yeni parça)
- C → Biri diğerinin yerine kullanılabilir. (eski parça ← yeni parça)
- D → Birbirlerinin yerine kullanılamaz. (eski parça – yeni parça)

## Not

Parçaların tanımlarında yer almayan açıklamaları gösterir.

## PREFACE

We would like to thank you for purchasing Excavator Construction Equipment.

For satisfactory service and selection of correct part, read and understand instructions as shown below.

### **No**

This indicates the indicating number of part.

### **Part No**

It shows the part number of the parts which are included in an illustration.

### **Description**

It shows the name of the part.

### **Q'ty**

It shows the quantity use of part for the group that was illustrated on page.

### **SC**

Abbreviations on service code column have their own meaning as show below.

- K → This means that the part is contained in the kit. Parts are given with KIT, can not be supplied individually.
- OP → Optional part
- NSP → Non service part.
- S → Set. Parts are given with set, can be supplied individually.

### **Serial Number From (S./N. From)**

It shows the machine serial number in which the parts are used.

For example; 9134501 - → the part that is shown in illustration was used from 9134501.

### **Serial Number From (S./N. To)**

It shows the machine serial number in which the parts are used.

For example; - B134124 → the part that is shown in illustration was used to D134501.

### **ICA**

This indicates the interchangeability of the parts between a new one and old one.

- A → Mutual interchangeability (old part ↔ new part)
- B → One way interchangeability (old part → new part)
- C → One way interchangeability (old part ← new part)
- D → No interchangeability (old part – new part)

### **Note**

It shows explanations, which are not given in description

## KISALTMALAR / ABBREVIATIONS

KISALTMA/ABBREVIATION	AÇIKLAMA	DESCRIPTION
&	VE	AND
A/C		AIR CONDITIONER
A.K.V.	ANA KUMANDA VALFİ	
AM		ARM
AR		AS REQUIRED
ASS'Y		ASSEMBLY
BKT		BUCKET
BM		BOOM
FR	FRANSIZCA	
HYD.		HYDRAULIC
ISP	İSPANYOLCA	
İNG	İNGİLİZCE	
JY	JOYSTICK	
K	KİT	KİT
K.M.	KAYNAKLI MONTAJ	
LH		LEFT HAND
LR		LONG REACH
M.C.V.		MAIN CONTROL VALVE
OP	OPSİYONEL	OPTINAL
PORT	PORTEKİZCE	
REV.	REVİZYON	REVISION
RH		RIGHT HAND
RUS	RUSÇA	
S	SET	SET
STD	STANDART	STD
SW		SWING
TR	TÜRKÇE	
TRV		TRAVEL
W.A.		WELDING ASSEMBLY



## İÇİNDEKİLER / CONTENTS

<b>A</b>	<b>MOTOR SİSTEMİ</b>	<b>ENGINE SYSTEM</b>
A010.00.01	MOTOR MONTAJI	ENGINE MOUNTING
A010.00.01	MOTOR MONTAJI	ENGINE MOUNTING
A010.00.01	MOTOR MONTAJI	ENGINE MOUNTING
A010.00.01	MOTOR MONTAJI	ENGINE MOUNTING
A020.00.01	HAVA EMİŞ SİSTEMİ	AIR INTAKE SYSTEM
A030.00.01	EGZOZ MONTAJI	EXHAUST MOUNTING
A030.00.01	EGZOZ MONTAJI	EXHAUST MOUNTING
A030.00.01	EGZOZ MONTAJI	EXHAUST MOUNTING
A030.00.01	EGZOZ MONTAJI	EXHAUST MOUNTING
A040.00.01	SOĞUTMA SİSTEMİ	COOLING SYSTEM
A040.00.01	SOĞUTMA SİSTEMİ	COOLING SYSTEM
A040.00.01	SOĞUTMA SİSTEMİ	COOLING SYSTEM
A050.00.01	RADYATÖR KOMPLESİ	RADIATOR ASS'Y
A050.00.01	RADYATÖR KOMPLESİ	RADIATOR ASS'Y
A050.00.01	RADYATÖR KOMPLESİ	RADIATOR ASS'Y
A050.00.01	RADYATÖR KOMPLESİ	RADIATOR ASS'Y
A060.00.01	YAKIT SİSTEMİ	FUEL SYSTEM
A060.00.01	YAKIT SİSTEMİ	FUEL SYSTEM
A070.00.01	ÖN YAKIT FİLTRESİ MONTAJI (OP)	PRE-FUEL FILTER ASS'Y (OP)
A080.00.01	YAKIT TRANSFER POMPASI MONTAJI	FUEL FEED PUMP ASS'Y
A080.00.01	YAKIT TRANSFER POMPASI MONTAJI	FUEL FEED PUMP ASS'Y
A090.00.01	KLİMA VE KALORİFER MONTAJI	AIRCONDITION AND HEATER MOUNTING
A090.00.01	KLİMA VE KALORİFER MONTAJI	AIRCONDITION AND HEATER MOUNTING
A090.00.01	KLİMA VE KALORİFER MONTAJI	AIRCONDITION AND HEATER MOUNTING
A100.00.01	KLİMA VE KALORİFER ÜNİTESİ	AIRCONDITION AND HEATER UNIT
A100.00.01	KLİMA VE KALORİFER ÜNİTESİ	AIRCONDITION AND HEATER UNIT
<b>B</b>	<b>ŞAŞİ VE KAPORTA</b>	<b>FRAME &amp; COWLING</b>
B010.00.01	ÜST ŞAŞİ VE ALT KAPAK MONTAJI	UPPER FRAME UNDER COVER MOUNTING
B010.00.01	ÜST ŞAŞİ VE ALT KAPAK MONTAJI	UPPER FRAME UNDER COVER MOUNTING
B010.00.01	ÜST ŞAŞİ VE ALT KAPAK MONTAJI	UPPER FRAME UNDER COVER MOUNTING
B010.00.01	ÜST ŞAŞİ VE ALT KAPAK MONTAJI	UPPER FRAME UNDER COVER MOUNTING
B015.00.01	ARKA AĞIRLIK MONTAJI	COUNTER WEIGHT MOUNTING
B015.00.01	ARKA AĞIRLIK MONTAJI	COUNTER WEIGHT MOUNTING
B015.01.01	ARKA AĞIRLIK MONTAJI (LR)	COUNTERWEIGHT MOUNTING (LR)
B015.02.01	ARKA AĞIRLIK MONTAJI (OP)	COUNTERWEIGHT MOUNTING (OP)
B020.00.01	TAKIM SANDIĞI MONTAJI	TOOL BOX MOUNTING
B020.00.01	TAKIM SANDIĞI MONTAJI	TOOL BOX MOUNTING
B020.00.01	TAKIM SANDIĞI MONTAJI	TOOL BOX MOUNTING
B020.00.01	TAKIM SANDIĞI MONTAJI	TOOL BOX MOUNTING
B040.00.01	YÜRÜME SAACLARI	ANTI-SLIP WALKWAY
B040.00.01	YÜRÜME SAACLARI	ANTI-SLIP WALKWAY
B040.00.01	YÜRÜME SAACLARI	ANTI-SLIP WALKWAY
B040.00.01	YÜRÜME SAACLARI	ANTI-SLIP WALKWAY
B050.00.01	KAPORTA MONTAJI, SAĞ	COWLING ASS'Y, RH
B050.00.01	KAPORTA MONTAJI, SAĞ	COWLING ASS'Y, RH
B050.00.01	KAPORTA MONTAJI, SAĞ	COWLING ASS'Y, RH

## İÇİNDEKİLER / CONTENTS

B050.00.01	KAPORTA MONTAJI, SAĞ	COWLING ASS'Y, RH
B060.00.01	KAPI MONTAJI, SAĞ	DOOR MOUNTING, RH
B060.00.01	KAPI MONTAJI, SAĞ	DOOR MOUNTING, RH
B060.00.01	KAPI MONTAJI, SAĞ	DOOR MOUNTING, RH
B070.00.01	KAPORTA MONTAJI, SOL	COWLING ASS'Y, LH
B070.00.01	KAPORTA MONTAJI, SOL	COWLING ASS'Y, LH
B070.00.01	KAPORTA MONTAJI, SOL	COWLING ASS'Y, LH
B070.00.01	KAPORTA MONTAJI, SOL	COWLING ASS'Y, LH
B070.00.01	KAPORTA MONTAJI, SOL	COWLING ASS'Y, LH
B080.00.01	KAPI MONTAJI, SOL	DOOR MOUNTING, LH
B080.00.01	KAPI MONTAJI, SOL	DOOR MOUNTING, LH
B080.00.01	KAPI MONTAJI, SOL	DOOR MOUNTING, LH
B090.00.01	KAPORTA MONTAJI, AKV	COWLING ASS'Y, MCV
B090.00.01	KAPORTA MONTAJI, AKV	COWLING ASS'Y, MCV
B090.00.01	KAPORTA MONTAJI, AKV	COWLING ASS'Y, MCV
B090.00.01	KAPORTA MONTAJI, AKV	COWLING ASS'Y, MCV
B100.00.01	MOTOR KAPUT MONTAJI	ENGINE HOOD MOUNTING
B100.00.01	MOTOR KAPUT MONTAJI	ENGINE HOOD MOUNTING
B100.00.01	MOTOR KAPUT MONTAJI	ENGINE HOOD MOUNTING
B100.00.01	MOTOR KAPUT MONTAJI	ENGINE HOOD MOUNTING
B100.00.01	MOTOR KAPUT MONTAJI	ENGINE HOOD MOUNTING
B110.00.01	DEPO KAPAK MONTAJI	TANK COVER MOUNTING
B110.00.01	DEPO KAPAK MONTAJI	TANK COVER MOUNTING
B110.00.01	DEPO KAPAK MONTAJI	TANK COVER MOUNTING
B120.00.01	ALT ŞASİ MONTAJI (TİP A)	LOWER FRAME MOUNTING (TYPE A)
B120.00.01	ALT ŞASİ MONTAJI (TİP A)	LOWER FRAME MOUNTING (TYPE A)
B120.00.01	ALT ŞASİ MONTAJI (TİP A)	LOWER FRAME MOUNTING (TYPE A)
B120.00.01	ALT ŞASİ MONTAJI (TİP A)	LOWER FRAME MOUNTING (TYPE A)
B120.01.01	ALT ŞASİ MONTAJI (TİP B)	LOWER FRAME MOUNTING (TYPE B)
B120.01.01	ALT ŞASİ MONTAJI (TİP B)	LOWER FRAME MOUNTING (TYPE B)
B120.01.01	ALT ŞASİ MONTAJI (TİP B)	LOWER FRAME MOUNTING (TYPE B)
B120.02.01	ALT ŞASİ MONTAJI (TİP C)	LOWER FRAME MOUNTING (TYPE C)
B120.02.01	ALT ŞASİ MONTAJI (TİP C)	LOWER FRAME MOUNTING (TYPE C)
B120.02.01	ALT ŞASİ MONTAJI (TİP C)	LOWER FRAME MOUNTING (TYPE C)
B120.03.01	ALT ŞASİ MONTAJI (TİP D)	LOWER FRAME MOUNTING (TYPE D)
B120.03.01	ALT ŞASİ MONTAJI (TİP D)	LOWER FRAME MOUNTING (TYPE D)
B120.03.01	ALT ŞASİ MONTAJI (TİP D)	LOWER FRAME MOUNTING (TYPE D)
B130.00.01	TAŞIYICI MAKARA KOMPLESİ	UPPER ROLLER ASS'Y
B140.00.01	YÜRÜYÜŞ MAKARASI KOMPLESİ	LOWER ROLLER ASS'Y
B150.00.01	İSTİKAMET TEKERİ KOMPLESİ	IDLER ASS'Y
B150.00.01	İSTİKAMET TEKERİ KOMPLESİ	IDLER ASS'Y
B150.00.01	İSTİKAMET TEKERİ KOMPLESİ	IDLER ASS'Y
B160.00.01	GERDİRME MEKANİZMASI	ADJUSTER ASSEMBLY
B160.00.01	GERDİRME MEKANİZMASI	ADJUSTER ASSEMBLY
B170.00.01	PALET KOMPLESİ (600mm)	TRACK ASS'Y (600mm)
B170.00.01	PALET KOMPLESİ (600mm)	TRACK ASS'Y (600mm)
B170.01.01	PALET KOMPLESİ (700mm)	TRACK ASS'Y (700mm)
B170.01.01	PALET KOMPLESİ (700mm)	TRACK ASS'Y (700mm)



## İÇİNDEKİLER / CONTENTS

B170.02.01	PALET KOMPLESİ (800mm)	TRACK ASS'Y (800mm)
B170.02.01	PALET KOMPLESİ (800mm)	TRACK ASS'Y (800mm)
<b>C</b>	<b>KABİN</b>	<b>OPERATOR CAB</b>
C010.00.01	KABİN VE BAĞLANTI TAKOZLARI	CAB AND CAB MOUNTING
C010.00.01	KABİN VE BAĞLANTI TAKOZLARI	CAB AND CAB MOUNTING
C010.00.01	KABİN VE BAĞLANTI TAKOZLARI	CAB AND CAB MOUNTING
C010.00.01	KABİN VE BAĞLANTI TAKOZLARI	CAB AND CAB MOUNTING
C020.00.01	KAPILAR	DOORS
C020.00.01	KAPILAR	DOORS
C020.00.01	KAPILAR	DOORS
C020.00.01	KAPILAR	DOORS
C030.00.01	CAMLAR	WINDOWS
C030.00.01	CAMLAR	WINDOWS
C030.00.01	CAMLAR	WINDOWS
C030.00.01	CAMLAR	WINDOWS
C040.00.01	KABİN DONANIMI	CAB ACCESSORIES
C040.00.01	KABİN DONANIMI	CAB ACCESSORIES
C040.00.01	KABİN DONANIMI	CAB ACCESSORIES
C040.00.01	KABİN DONANIMI	CAB ACCESSORIES
C050.00.01	KONSOL MONTAJI, ÖN	CONSOLE ASS'Y, FRONT
C050.00.01	KONSOL MONTAJI, ÖN	CONSOLE ASS'Y, FRONT
C050.00.01	KONSOL MONTAJI, ÖN	CONSOLE ASS'Y, FRONT
C060.00.01	KONSOL MONTAJI, ARKA	CONSOLE ASS'Y, REAR
C060.00.01	KONSOL MONTAJI, ARKA	CONSOLE ASS'Y, REAR
C060.00.01	KONSOL MONTAJI, ARKA	CONSOLE ASS'Y, REAR
C070.00.01	KONSOL MONTAJI, SAĞ	CONSOLE ASS'Y, RH
C070.00.01	KONSOL MONTAJI, SAĞ	CONSOLE ASS'Y, RH
C080.00.01	KONSOL MONTAJI, SOL	CONSOLE ASS'Y, LH
C080.00.01	KONSOL MONTAJI, SOL	CONSOLE ASS'Y, LH
C090.00.01	OPERATÖR KOLTUK MONTAJI	OPERATOR SEAT MOUNTING
C090.00.01	OPERATÖR KOLTUK MONTAJI	OPERATOR SEAT MOUNTING
C100.00.01	OPERATÖR KOLTUK KOMPLESİ	OPERATOR SEAT ASS'Y
C100.00.01	OPERATÖR KOLTUK KOMPLESİ	OPERATOR SEAT ASS'Y
C100.00.01	OPERATÖR KOLTUK KOMPLESİ	OPERATOR SEAT ASS'Y
C110.00.01	PLATFORM MONTAJI	PLATFORM ASS'Y
C110.00.01	PLATFORM MONTAJI	PLATFORM ASS'Y
C110.00.01	PLATFORM MONTAJI	PLATFORM ASS'Y
C120.00.01	KABİN ÜST KORUMA MONTAJI, FOPS II (OP)	ROOF GUARD MOUNTING, FOPS II (OP)
C120.00.01	KABİN ÜST KORUMA MONTAJI, FOPS II (OP)	ROOF GUARD MOUNTING, FOPS II (OP)
C130.00.01	KABİN KORUMA MONTAJI, FOGS (OP)	GUARD MOUNTING, FOGS (OP)
C130.00.01	KABİN KORUMA MONTAJI, FOGS (OP)	GUARD MOUNTING, FOGS (OP)
C130.01.01	ÖN CAM KORUYUCU MONTAJI ,TAŞ VE MICİR İÇİN (OP)	FRONT GUARD MOUNTING, FOR STONES & DEBRIS (OP)
C130.01.01	ÖN CAM KORUYUCU MONTAJI ,TAŞ VE MICİR İÇİN (OP)	FRONT GUARD MOUNTING, FOR STONES & DEBRIS (OP)
C130.01.01	ÖN CAM KORUYUCU MONTAJI ,TAŞ VE MICİR İÇİN (OP)	FRONT GUARD MOUNTING, FOR STONES & DEBRIS (OP)
C130.02.01	ÖN CAM KORUYUCU MONTAJI, İKİ PARÇALI (OP)	FRONT GUARD MOUNTING, TWO PIECES (OP)
<b>D</b>	<b>ATAŞMAN</b>	<b>ATTACHMENT</b>

## İÇİNDEKİLER / CONTENTS

D010.00.01	BOM MONTAJI	BOOM MOUNTING
D010.01.01	BOM MONTAJI (LR)	BOOM MOUNTING (LR)
D020.00.01	BOM KOMPLESİ (6.28m)	BOOM ASS'Y (6.28m)
D020.00.01	BOM KOMPLESİ (6.28m)	BOOM ASS'Y (6.28m)
D020.01.01	BOOM KOMPLESİ (10.3m,LR)	BOOM ASS'Y (10.3m, LR)
D030.00.01	ARM MONTAJI	ARM MOUNTING
D030.00.01	ARM MONTAJI	ARM MOUNTING
D030.01.01	ARM MONTAJI (LR)	ARM MOUNTING (LR)
D040.00.01	ARM KOMPLESİ (2.5m)	ARM ASS'Y (2.5m)
D040.00.01	ARM KOMPLESİ (2.5m)	ARM ASS'Y (2.5m)
D040.01.01	ARM KOMPLESİ (7.8m, LR)	ARM ASS'Y (7.8m, LR)
D040.02.01	ARM KOMPLESİ (3.07m)	ARM ASS'Y (3.07m)
D040.02.01	ARM KOMPLESİ (3.07m)	ARM ASS'Y (3.07m)
D040.03.01	ARM KOMPLESİ (2.1m)	ARM ASS'Y (2.1m)
D050.00.01	KEPÇE BAĞLANTISI	BUCKET LINKAGE
D050.00.01	KEPÇE BAĞLANTISI	BUCKET LINKAGE
D050.01.01	KEPÇE BAĞLANTISI (LR)	BUCKET LINKAGE (LR)
D060.00.01	KEPÇE, DUAL RADÜS (1.5m³)	BUCKET, DUAL RADIUS (1.5m³)
D060.00.01	KEPÇE, DUAL RADÜS (1.5m³)	BUCKET, DUAL RADIUS (1.5m³)
D060.02.01	KEPÇE, DUAL RADÜS (1.7m³)	BUCKET, DUAL RADIUS (1.7m³)
D060.02.01	KEPÇE, DUAL RADÜS (1.7m³)	BUCKET, DUAL RADIUS (1.7m³)
D060.03.01	KEPÇE, DUAL RADÜS (1.3m³)	BUCKET, DUAL RADIUS (1.3m³)
D060.03.01	KEPÇE, DUAL RADÜS (1.3m³)	BUCKET, DUAL RADIUS (1.3m³)
D060.04.01	KEPÇE, DUAL RADÜS (0.6m³, LR)	BUCKET, DUAL RADIUS (0.6m³, LR)
D060.04.01	KEPÇE, DUAL RADÜS (0.6m³, LR)	BUCKET, DUAL RADIUS (0.6m³, LR)
D060.05.01	KEPÇE, TEMİZLEME (1.73m³)	BUCKET, DITCH CLEANING (1.73m³)
D060.06.01	KEPÇE, TEMİZLEME (0.6m³, LR)	BUCKET, DITCH CLEANING (0.6m³, LR)
D060.07.01	KEPÇE, KAYA (1.5m³)	BUCKET, ROCK(1.5m³)
D060.08.01	KEPÇE, KAYA (1.3m³)	BUCKET, ROCK TYPE (1.3m³)
D060.09.01	KEPÇE, GENEL MAKSATLI (1.73m³)	BUCKET, GENERAL PURPOSE (1.73m³)
D060.09.01	KEPÇE, GENEL MAKSATLI (1.73m³)	BUCKET, GENERAL PURPOSE (1.73m³)
D060.10.01	KEPÇE, GENEL MAKSATLI (1.5m³)	BUCKET, GENERAL PURPOSE (1.5m³)
D060.10.01	KEPÇE, GENEL MAKSATLI (1.5m³)	BUCKET, GENERAL PURPOSE (1.5m³)
D060.11.01	KEPÇE, GENEL MAKSATLI (1.25m³)	BUCKET, GENERAL PURPOSE (1.25m³)
D060.11.01	KEPÇE, GENEL MAKSATLI (1.25m³)	BUCKET, GENERAL PURPOSE (1.25m³)
D060.12.01	KEPÇE, GENEL MAKSATLI (0.62m³)	BUCKET, GENERAL PURPOSE (0.62m³)
D060.12.01	KEPÇE, GENEL MAKSATLI (0.62m³)	BUCKET, GENERAL PURPOSE (0.62m³)
D070.00.01	ÇABUK SÖK-TAK KOMPLESİ (OP)	QUICK COUPLER ASS'Y (OP)
D070.00.01	ÇABUK SÖK-TAK KOMPLESİ (OP)	QUICK COUPLER ASS'Y (OP)
D080.00.01	KIRICI MONTAJI (B300, OP)	BREAKER MOUNTING (B300, OP)
D080.00.02	KIRICI KOMPLESİ (B300, OP)	BREAKER ASS'Y (B300, OP)
D080.01.01	KIRICI MONTAJI (B250, OP)	BREAKER MOUNTING (B250, OP)
D080.01.02	KIRICI KOMPLESİ (B250, OP)	BREAKER ASS'Y (B250, OP)
D090.00.01	RİPER (OP)	RIPPER (OP)
D110.00.01	POLİP (OP)	POLYP (OP)
<b>F</b>	<b>HİDROLİK SİSTEM</b>	<b>HYDRAULIC SYSTEM</b>
F010.00.01	HİDROLİK POMPA MONTAJI	HYDRAULIC PUMP MOUNTING
F020.00.01	HİDROLİK TANK MONTAJI	HYDRAULIC TANK ASS'Y

## İÇİNDEKİLER / CONTENTS

F020.00.01	HİDROLİK TANK MONTAJI	HYDRAULIC TANK ASS'Y
F020.00.01	HİDROLİK TANK MONTAJI	HYDRAULIC TANK ASS'Y
F030.00.01	ÜST ŞAŞI HİDROLİK TESİSATI, ANA	UPPER FRAME HYD. PIPING, BASE
F030.00.02	ÜST ŞAŞI HİDROLİK TESİSATI, ATAŞMAN	UPPER FRAME HYD. PIPING, ATTACHMENT
F030.00.03	ÜST ŞAŞI HİDROLİK TESİSATI, YÜRÜYÜŞ&DÖNÜŞ	UPPER FRAME HYD. PIPING, TRAVEL&SWING
F040.00.01	ÜST ŞAŞI DÖNÜŞ VE SIZINTI HATTI HİDROLİK TESİSATI (1)	UPPER FRAME DRAIN AND RETURN HYD. PIPING (1)
F040.00.01	ÜST ŞAŞI DÖNÜŞ VE SIZINTI HATTI HİDROLİK TESİSATI (1)	UPPER FRAME DRAIN AND RETURN HYD. PIPING (1)
F040.00.02	ÜST ŞAŞI DÖNÜŞ VE SIZINTI HATTI HİDROLİK TESİSATI (2)	UPPER FRAME DRAIN AND RETURN HYD. PIPING (2)
F050.00.01	ALT ŞAŞI HİDROLİK TESİSATI (TİP A)	LOWER FRAME HYD. PIPING (TYPE A)
F050.01.01	ALT ŞAŞI HİDROLİK TESİSATI (TİP B)	LOWER FRAME HYD. PIPING (TYPE B)
F060.00.01	PİLOT HİDROLİĞİ TESİSATI, ANA (1)	PILOT HYD. PIPING, BASE (1)
F060.00.01	PİLOT HİDROLİĞİ TESİSATI, ANA (1)	PILOT HYD. PIPING, BASE (1)
F060.00.02	PİLOT HİDROLİĞİ TESİSATI, ANA (2)	PILOT HYD. PIPING, BASE (2)
F060.00.02	PİLOT HİDROLİĞİ TESİSATI, ANA (2)	PILOT HYD. PIPING, BASE (2)
F060.00.03	PİLOT HİDROLİĞİ TESİSATI, ATAŞMAN (1)	PILOT HYD. PIPING, ATTACHMENT (1)
F060.00.03	PİLOT HİDROLİĞİ TESİSATI, ATAŞMAN (1)	PILOT HYD. PIPING, ATTACHMENT (1)
F060.00.04	PİLOT HİDROLİĞİ TESİSATI, ATAŞMAN (2)	PILOT HYD. PIPING, ATTACHMENT (2)
F060.00.04	PİLOT HİDROLİĞİ TESİSATI, ATAŞMAN (2)	PILOT HYD. PIPING, ATTACHMENT (2)
F060.00.04	PİLOT HİDROLİĞİ TESİSATI, ATAŞMAN (2)	PILOT HYD. PIPING, ATTACHMENT (2)
F060.00.05	PİLOT HİDROLİĞİ TESİSATI, AKV	PILOT HYD. PIPING, MCV
F060.00.05	PİLOT HİDROLİĞİ TESİSATI, AKV	PILOT HYD. PIPING, MCV
F070.00.01	ATAŞMAN TESİSATI (2.5m)	ATTACHMENT PIPING (2.5m)
F070.00.01	ATAŞMAN TESİSATI (2.5m)	ATTACHMENT PIPING (2.5m)
F070.01.01	ATAŞMAN TESİSATI (3.07m)	ATTACHMENT PIPING (3.07m)
F070.01.01	ATAŞMAN TESİSATI (3.07m)	ATTACHMENT PIPING (3.07m)
F070.02.01	ATAŞMAN TESİSATI (7.8m, LR)	ATTACHMENT PIPING (7.8m, LR)
F080.00.01	TEK ETKİLİ HİDROLİK TESİSATI 1 (2.5m, OP)	SINGLE ACTING HYD. PIPING 1 (2.5m, OP)
F080.00.01	TEK ETKİLİ HİDROLİK TESİSATI 1 (2.5m, OP)	SINGLE ACTING HYD. PIPING 1 (2.5m, OP)
F080.00.02	TEK ETKİLİ HİDROLİK TESİSATI 2 (2.5m, OP)	SINGLE ACTING HYD. PIPING 2 (2.5m, OP)
F080.00.02	TEK ETKİLİ HİDROLİK TESİSATI 2 (2.5m, OP)	SINGLE ACTING HYD. PIPING 2 (2.5m, OP)
F080.01.01	TEK ETKİLİ HİDROLİK TESİSATI 1 (3.07m, OP)	SINGLE ACTING HYD. PIPING 1 (3.07m, OP)
F080.01.01	TEK ETKİLİ HİDROLİK TESİSATI 1 (3.07m, OP)	SINGLE ACTING HYD. PIPING 1 (3.07m, OP)
F080.01.02	TEK ETKİLİ HİDROLİK TESİSATI 2 (3.07m, OP)	SINGLE ACTING HYD. PIPING 2 (3.07m, OP)
F080.01.02	TEK ETKİLİ HİDROLİK TESİSATI 2 (3.07m, OP)	SINGLE ACTING HYD. PIPING 2 (3.07m, OP)
F080.02.01	TEK ETKİLİ HİDROLİK TESİSATI 1 (2.1m, OP)	SINGLE ACTING HYD. PIPING 1 (2.1m, OP)
F080.02.01	TEK ETKİLİ HİDROLİK TESİSATI 1 (2.1m, OP)	SINGLE ACTING HYD. PIPING 1 (2.1m, OP)
F080.02.02	TEK ETKİLİ HİDROLİK TESİSATI 2 (2.1m, OP)	SINGLE ACTING HYD. PIPING 2 (2.1m, OP)
F080.02.02	TEK ETKİLİ HİDROLİK TESİSATI 2 (2.1m, OP)	SINGLE ACTING HYD. PIPING 2 (2.1m, OP)
F090.00.01	ÇİFT ETKİLİ HİDROLİK TESİSATI 1 (2.5m, OP)	DOUBLE ACTING HYD. PIPING 1 (2.5m, OP)
F090.00.01	ÇİFT ETKİLİ HİDROLİK TESİSATI 1 (2.5m, OP)	DOUBLE ACTING HYD. PIPING 1 (2.5m, OP)
F090.00.02	ÇİFT ETKİLİ HİDROLİK TESİSATI 2 (2.5m, OP)	DOUBLE ACTING HYD. PIPING 2 (2.5m, OP)
F090.00.02	ÇİFT ETKİLİ HİDROLİK TESİSATI 2 (2.5m, OP)	DOUBLE ACTING HYD. PIPING 2 (2.5m, OP)
F090.00.02	ÇİFT ETKİLİ HİDROLİK TESİSATI 2 (2.5m, OP)	DOUBLE ACTING HYD. PIPING 2 (2.5m, OP)
F090.01.01	ÇİFT ETKİLİ HİDROLİK TESİSATI 1 (3.07m, OP)	DOUBLE ACTING HYD. PIPING 1 (3.07m, OP)
F090.01.01	ÇİFT ETKİLİ HİDROLİK TESİSATI 1 (3.07m, OP)	DOUBLE ACTING HYD. PIPING 1 (3.07m, OP)
F090.01.02	ÇİFT ETKİLİ HİDROLİK TESİSATI 2 (3.07m, OP)	DOUBLE ACTING HYD. PIPING 2 (3.07m, OP)

## İÇİNDEKİLER / CONTENTS

F090.01.02	ÇİFT ETKİLİ HİDROLİK TESİSATI 2 (3.07m, OP)	DOUBLE ACTING HYD. PIPING 2 (3.07m, OP)
F090.01.02	ÇİFT ETKİLİ HİDROLİK TESİSATI 2 (3.07m, OP)	DOUBLE ACTING HYD. PIPING 2 (3.07m, OP)
F100.00.01	ÇABUK SÖK-TAK HİDROLİK TESİSATI, 40 BAR (OP)	QUICK COUPLER HYD. PIPING, 40 BAR (OP)
F100.00.01	ÇABUK SÖK-TAK HİDROLİK TESİSATI, 40 BAR (OP)	QUICK COUPLER HYD. PIPING, 40 BAR (OP)
F120.00.01	ATAŞMAN GRESLEME SİSTEMİ (2.5m)	ATTACHMENT GREASE LUB SYSTEM (2.5m)
F120.01.01	ATAŞMAN GRESLEME SİSTEMİ (3.07m)	ATTACHMENT GREASE LUB SYSTEM (3.07m)
F120.02.01	ATAŞMAN GRESLEME SİSTEMİ (7.8m, LR)	ATTACHMENT GREASE LUB SYSTEM (7.8m, LR)
F140.00.01	BOM EMNİYET VALFİ SİSTEMİ (OP)	BOOM SAFETY LOCK SYSTEM (OP)
F140.00.01	BOM EMNİYET VALFİ SİSTEMİ (OP)	BOOM SAFETY LOCK SYSTEM (OP)
F150.00.01	ARM EMNİYET VALFİ SİSTEMİ (OP)	ARM SAFETY LOCK SYSTEM (OP)
F150.00.01	ARM EMNİYET VALFİ SİSTEMİ (OP)	ARM SAFETY LOCK SYSTEM (OP)
F160.00.01	AŞIRI YÜK UYARI SİSTEMİ (EMNİYET VALFLİ, OP)	OVERLOAD WARNING SYSTEM (WITH RELIEF VALVE, OP)
F160.00.01	AŞIRI YÜK UYARI SİSTEMİ (EMNİYET VALFLİ, OP)	OVERLOAD WARNING SYSTEM (WITH RELIEF VALVE, OP)
F160.01.01	AŞIRI YÜK UYARI SİSTEMİ (EMNİYET VALFSİZ, OP)	OVERLOAD WARNING SYSTEM (WITHOUT RELIEF VALVE, OP)

<b>G</b>	<b>HİDROLİK KOMPONENTLER</b>	<b>HYDRAULIC COMPONENTS</b>
G010.00.01	HİDROLİK POMPA	HYDRAULIC PUMP
G010.00.02	DİŞLİ POMPA, PİLOT	GEAR PUMP, PILOT
G010.00.03	ORANSAL BASINÇ KONTROL VALFİ	PROPORTIONAL REDUCING VALVE
G010.00.04	POMPA REGÜLATÖRÜ	PUMP REGULATOR
G020.00.01	ANA KUMANDA VALFİ (1)	MAIN CONTROL VALVE (1)
G020.00.02	ANA KUMANDA VALFİ (2)	MAIN CONTROL VALVE (2)
G020.00.03	ANA KUMANDA VALFİ (3)	MAIN CONTROL VALVE (3)
G020.00.04	ANA KUMANDA VALFİ (4)	MAIN CONTROL VALVE (4)
G020.00.05	ANA KUMANDA VALFİ (5)	MAIN CONTROL VALVE (5)
G020.00.06	ANA KUMANDA VALFİ (6)	MAIN CONTROL VALVE (6)
G020.00.07	ANA KUMANDA VALFİ (7)	MAIN CONTROL VALVE (7)
G020.00.08	ANA KUMANDA VALFİ (8)	MAIN CONTROL VALVE (8)
G030.00.01	KULE DÖNÜŞ ÜNİTESİ, MOTOR	SWING UNIT, MOTOR
G040.00.01	KULE DÖNÜŞ ÜNİTESİ, DİŞLİ KUTUSU	SWING UNIT, REDUCTION GEAR
G040.00.01	KULE DÖNÜŞ ÜNİTESİ, DİŞLİ KUTUSU	SWING UNIT, REDUCTION GEAR
G050.00.01	YÜRÜYÜŞ ÜNİTESİ, MOTOR (TİP A)	TRAVEL UNIT, MOTOR (TYPE A)
G050.00.01	YÜRÜYÜŞ ÜNİTESİ, MOTOR (TİP A)	TRAVEL UNIT, MOTOR (TYPE A)
G050.01.01	YÜRÜYÜŞ ÜNİTESİ, MOTOR (TİP B)	TRAVEL UNIT, MOTOR (TYPE B)
G060.00.01	YÜRÜYÜŞ ÜNİTESİ, DİŞLİ KUTUSU (TİP A)	TRAVEL UNIT, REDUCTION GEAR (TYPE A)
G060.00.01	YÜRÜYÜŞ ÜNİTESİ, DİŞLİ KUTUSU (TİP A)	TRAVEL UNIT, REDUCTION GEAR (TYPE A)
G060.01.01	YÜRÜYÜŞ ÜNİTESİ, DİŞLİ KUTUSU (TİP B)	TRAVEL UNIT, REDUCTION GEAR (TYPE B)
G070.00.01	DÖNER DAĞITICI	TURNING JOINT
G070.00.01	DÖNER DAĞITICI	TURNING JOINT
G080.00.01	JOYSTİK, SAĞ	JOYSTICK, RH
G080.00.02	JOYSTİK, SOL	JOYSTICK, LH
G100.00.01	YÜRÜYÜŞ PEDAL VALFİ	TRAVEL PEDAL VALVE
G100.00.01	YÜRÜYÜŞ PEDAL VALFİ	TRAVEL PEDAL VALVE
G140.00.01	ÇİFT ETKİLİ AYAK PEDALI VE VALFİ (OP)	DOUBLE ACTING PEDAL AND VALVE (OP)
G150.00.01	1'Lİ SOLENOİD VALF	SOLENOID VALVE, 1 SECTION
G150.00.01	1'Lİ SOLENOİD VALF	SOLENOID VALVE, 1 SECTION

## İÇİNDEKİLER / CONTENTS

G170.00.01	4'LÜ SOLENOİD VALF	SOLENOID VALVE, 4 SECTION
G170.00.01	4'LÜ SOLENOİD VALF	SOLENOID VALVE, 4 SECTION
G180.00.01	BOM SİLİNDİRİ, SAĞ	BOOM CYLINDER, RH
G180.00.02	BOM SİLİNDİRİ, SOL	BOOM CYLINDER, LH
G190.00.01	ARM SİLİNDİRİ	ARM CYLINDER
G200.00.01	KEPÇE SİLİNDİRİ	BUCKET CYLINDER
G200.01.01	KEPÇE SİLİNDİRİ (LR)	BUCKET CYLINDER (LR)
G210.00.01	ÇABUK SÖK-TAK SİLİNDİRİ (OP)	QUICK COUPLER CYLINDER (OP)

<b>K</b>	<b>ELEKTRİK SİSTEMİ</b>	<b>ELECTRICAL SYSTEM</b>
K010.00.01	ELEKTRİK PARÇALARI (1)	ELECTRIC PARTS (1)
K010.00.01	ELEKTRİK PARÇALARI (1)	ELECTRIC PARTS (1)
K010.00.01	ELEKTRİK PARÇALARI (1)	ELECTRIC PARTS (1)
K010.00.01	ELEKTRİK PARÇALARI (1)	ELECTRIC PARTS (1)
K010.00.02	ELEKTRİK PARÇALARI (2)	ELECTRIC PARTS (2)
K010.00.02	ELEKTRİK PARÇALARI (2)	ELECTRIC PARTS (2)
K010.00.02	ELEKTRİK PARÇALARI (2)	ELECTRIC PARTS (2)
K020.00.01	ANA ELEKTRİK TESİSATI	MAIN HARNESS
K020.00.01	ANA ELEKTRİK TESİSATI	MAIN HARNESS
K020.00.01	ANA ELEKTRİK TESİSATI	MAIN HARNESS
K030.00.01	MOTOR ELEKTRİK TESİSATI, ŞASI	ENGINE HARNESS, FRAME
K030.00.01	MOTOR ELEKTRİK TESİSATI, ŞASI	ENGINE HARNESS, FRAME
K030.00.01	MOTOR ELEKTRİK TESİSATI, ŞASI	ENGINE HARNESS, FRAME
K040.00.01	KABİN ELEKTRİK TESİSATI	OPERATOR CAB HARNESS
K040.00.01	KABİN ELEKTRİK TESİSATI	OPERATOR CAB HARNESS
K040.00.01	KABİN ELEKTRİK TESİSATI	OPERATOR CAB HARNESS
K040.00.01	KABİN ELEKTRİK TESİSATI	OPERATOR CAB HARNESS
K050.00.01	KABİN İÇİ ELEKTRİK TESİSATI	OPERATOR CAB INTERIOR HARNESS
K060.00.01	TEPE LAMBASI MONTAJI (OP)	BEACON LAMP MOUNTING (OP)
K060.00.01	TEPE LAMBASI MONTAJI (OP)	BEACON LAMP MOUNTING (OP)
K070.00.01	ÖN ÇALIŞMA LAMBASI MONTAJI (OP)	WORK LAMP MOUNTING, FRONT (OP)
K070.00.01	ÖN ÇALIŞMA LAMBASI MONTAJI (OP)	WORK LAMP MOUNTING, FRONT (OP)
K080.00.01	ARKA ÇALIŞMA LAMBASI MONTAJI (OP)	WORK LAMP MOUNTING, REAR (OP)
K080.00.01	ARKA ÇALIŞMA LAMBASI MONTAJI (OP)	WORK LAMP MOUNTING, REAR (OP)
K090.00.01	ARKA AĞIRLIK ÇALIŞMA LAMBASI MONTAJI (OP)	WORK LAMP MOUNTING, COUNTERWEIGHT (OP)
K100.00.01	SMARTLINK (OP)	SMARTLINK (OP)
K100.00.01	SMARTLINK (OP)	SMARTLINK (OP)
K110.00.01	IMMOBILIZER (OP)	IMMOBILIZER (OP)
K120.00.01	KAMERA MONTAJI, ARKA GÖRÜŞ (OP)	CAMERA MOUNTING, REAR VIEW (OP)

<b>Y</b>	<b>DİĞERLERİ (ETİKET, AVADANLIK)</b>	<b>OTHERS (DECAL, TOOLS)</b>
Y010.00.01	ETİKETLER (TÜRKÇE)	DECALS (TURKISH)
Y010.00.01	ETİKETLER (TÜRKÇE)	DECALS (TURKISH)
Y010.00.01	ETİKETLER (TÜRKÇE)	DECALS (TURKISH)
Y010.00.01	ETİKETLER (TÜRKÇE)	DECALS (TURKISH)
Y010.01.01	ETİKETLER (İNGİLİZCE)	DECALS (ENGLISH)
Y010.01.01	ETİKETLER (İNGİLİZCE)	DECALS (ENGLISH)
Y010.01.01	ETİKETLER (İNGİLİZCE)	DECALS (ENGLISH)
Y010.01.01	ETİKETLER (İNGİLİZCE)	DECALS (ENGLISH)

## İÇİNDEKİLER / CONTENTS

Y010.02.01	ETİKETLER (İSPANYOLCA)	DECALS (SPANISH)
Y010.02.01	ETİKETLER (İSPANYOLCA)	DECALS (SPANISH)
Y010.03.01	ETİKETLER (PORTEKİZCE)	DECALS (PORTUGUESE)
Y010.03.01	ETİKETLER (PORTEKİZCE)	DECALS (PORTUGUESE)
Y010.04.01	ETİKETLER (FRANSIZCA)	DECALS (FRENCH)
Y010.04.01	ETİKETLER (FRANSIZCA)	DECALS (FRENCH)
Y020.00.01	ETİKETLER (LR, TÜRKÇE)	DECALS (LR, TURKISH)
Y020.00.01	ETİKETLER (LR, TÜRKÇE)	DECALS (LR, TURKISH)
Y020.00.01	ETİKETLER (LR, TÜRKÇE)	DECALS (LR, TURKISH)
Y020.00.01	ETİKETLER (LR, TÜRKÇE)	DECALS (LR, TURKISH)
Y020.01.01	ETİKETLER (LR, İNGİLİZCE)	DECALS (LR, ENGLISH)
Y020.01.01	ETİKETLER (LR, İNGİLİZCE)	DECALS (LR, ENGLISH)
Y020.01.01	ETİKETLER (LR, İNGİLİZCE)	DECALS (LR, ENGLISH)
Y020.01.01	ETİKETLER (LR, İNGİLİZCE)	DECALS (LR, ENGLISH)
Y020.03.01	ETİKETLER (LR, PORTEKİZCE)	DECALS (LR, PORTUGUESE)
Y020.03.01	ETİKETLER (LR, PORTEKİZCE)	DECALS (LR, PORTUGUESE)
Y020.04.01	ETİKETLER (LR, FRANSIZCA)	DECALS (LR, FRENCH)
Y020.04.01	ETİKETLER (LR, FRANSIZCA)	DECALS (LR, FRENCH)

### Z

### MOTOR PARÇALARI

### ENGINE PARTS

Z010.00.01	MOTOR	ENGINE
Z020.00.01	KÜLBÜTÖR KAPAĞI	ROCKER COVER
Z020.00.02	SİLİNDİR KAPAĞI 1	CYLINDER HEAD 1
Z020.00.03	SİLİNDİR KAPAĞI 2	CYLINDER HEAD 2
Z020.00.04	SİLİNDİR BLOĞU	CYLINDER BLOCK
Z020.00.05	KAM MİLİ VE SÜBAPLAR	CAM SHAFT & VALVE
Z020.00.06	ZAMANLAMA DİŞLİSİ VE VOLAN MUHAFAZASI	TIMING GEAR CASE & FLYWHEEL HOUSING
Z020.00.07	KRANK MİLİ, PİSTON VE VOLAN	CRANKSHAFT, PISTON & FLYWHEEL
Z020.00.08	DİŞLİ KUTUSU KAPAĞI VE KAM MİLİ SENSÖRÜ	GEAR CASE COVER & CAMSHAFT SENSOR
Z020.00.09	MOTOR TAMİR TAKIMI	ENGINE OVERHAUL GASKET KIT
Z020.00.10	SİLİNDİR KAPAĞI TAMİR TAKIMI	CYLINDER HEAD GASKET KIT
Z030.00.01	YAĞ SEVİYE ÇUBUĞU & YAĞ KARTERİ	OIL LEVEL GAUGE & OIL PAN
Z030.00.02	YAĞ FİLTRESİ VE SOĞUTUCUSU	OIL FILTER & COOLER
Z030.00.03	YAĞ POMPASI VE YAĞ SÜZGEÇİ	OIL PUMP & STRAINER
Z030.00.04	YAĞ VE VAKUM TESİSATI	OIL & VACUUM PIPING
Z030.00.05	HAVALANDIRMA SİSTEMİ	VENTILATION SYSTEM
Z040.00.01	SU POMPASI VE KOROZYON ÖNLEYİCİ 1	WATER PUMP & CORROSION RESISTOR 1
Z040.00.02	SU POMPASI VE KOROZYON ÖNLEYİCİ 2	WATER PUMP & CORROSION RESISTOR 2
Z040.00.03	TERMOSTAT	THERMOSTAT
Z040.00.04	SOĞUTMA SUYU TESİSATI	COOLING WATER PIPING
Z040.00.05	FAN VE FAN KAYIŞI	FAN & FAN BELT
Z040.00.06	FAN MUHAFAZASI	FAN GUARD
Z050.00.01	YAKIT BESLEME POMPASI	FUEL FEED PUMP
Z050.00.02	YAKIT ENJEKSİYON SİSTEMİ 1	FUEL INJECTION SYSTEM 1
Z050.00.03	YAKIT ENJEKSİYON SİSTEMİ 2	FUEL INJECTION SYSTEM 2
Z050.00.04	YAKIT FİLTRESİ	FUEL FILTER
Z060.00.01	MARŞ MOTORU	STARTER
Z060.00.02	ALTERNATÖR	GENERATOR
Z060.00.03	MOTOR ELEKTRİK TESİSATI	ENGINE WIRING HARNESS

## İÇİNDEKİLER / CONTENTS

---

Z060.00.04	ELEKTRİK TESİSATI SABİTLEME ELEMANLARI	HARNESS FIXING PARTS
Z060.00.05	ELEKTRİK KONTROL PARÇALARI 1	ELECTRIC CONTROL PARTS 1
Z060.00.06	ELEKTRİK KONTROL PARÇALARI 2	ELECTRIC CONTROL PARTS 2
Z070.00.01	EMME MANİFOLDU	INLET MANIFOLD
Z070.00.02	EGZoz MANİFOLDU	EXHAUST MANIFOLD
Z070.00.03	TURBOŞARJ SİSTEMİ	TURBOCHARGER SYSTEM
Z070.00.04	TURBOŞARJ	TURBOCHARGER
Z070.00.05	EGR	EGR
Z070.00.06	EGR SOĞUTUCU TESİSATI	EGR WATER PIPING
Z070.00.07	EGZoz CONTASI	EXHAUST GASKET

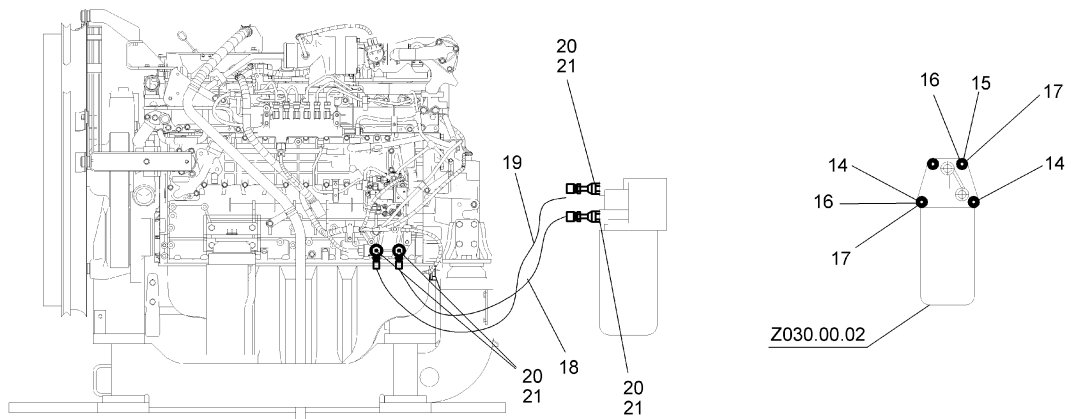
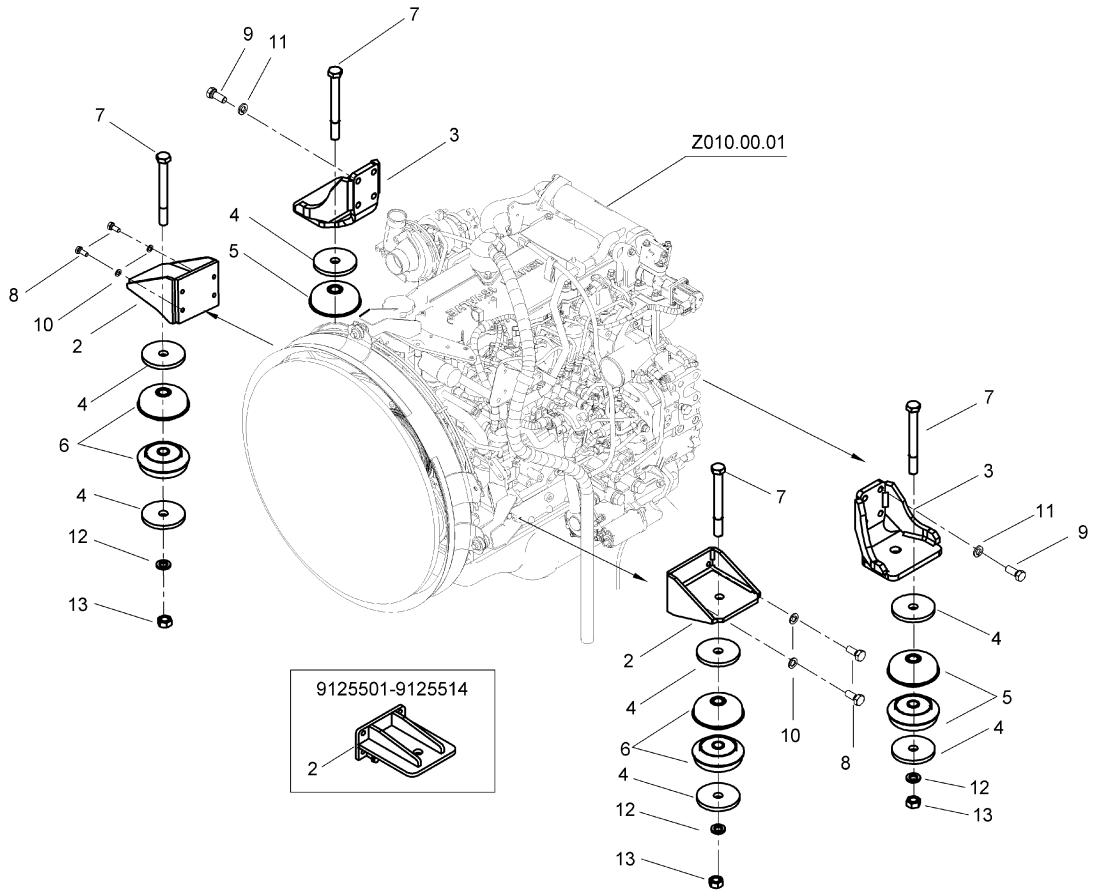
# A - MOTOR SİSTEMİ

## A - ENGINE SYSTEM

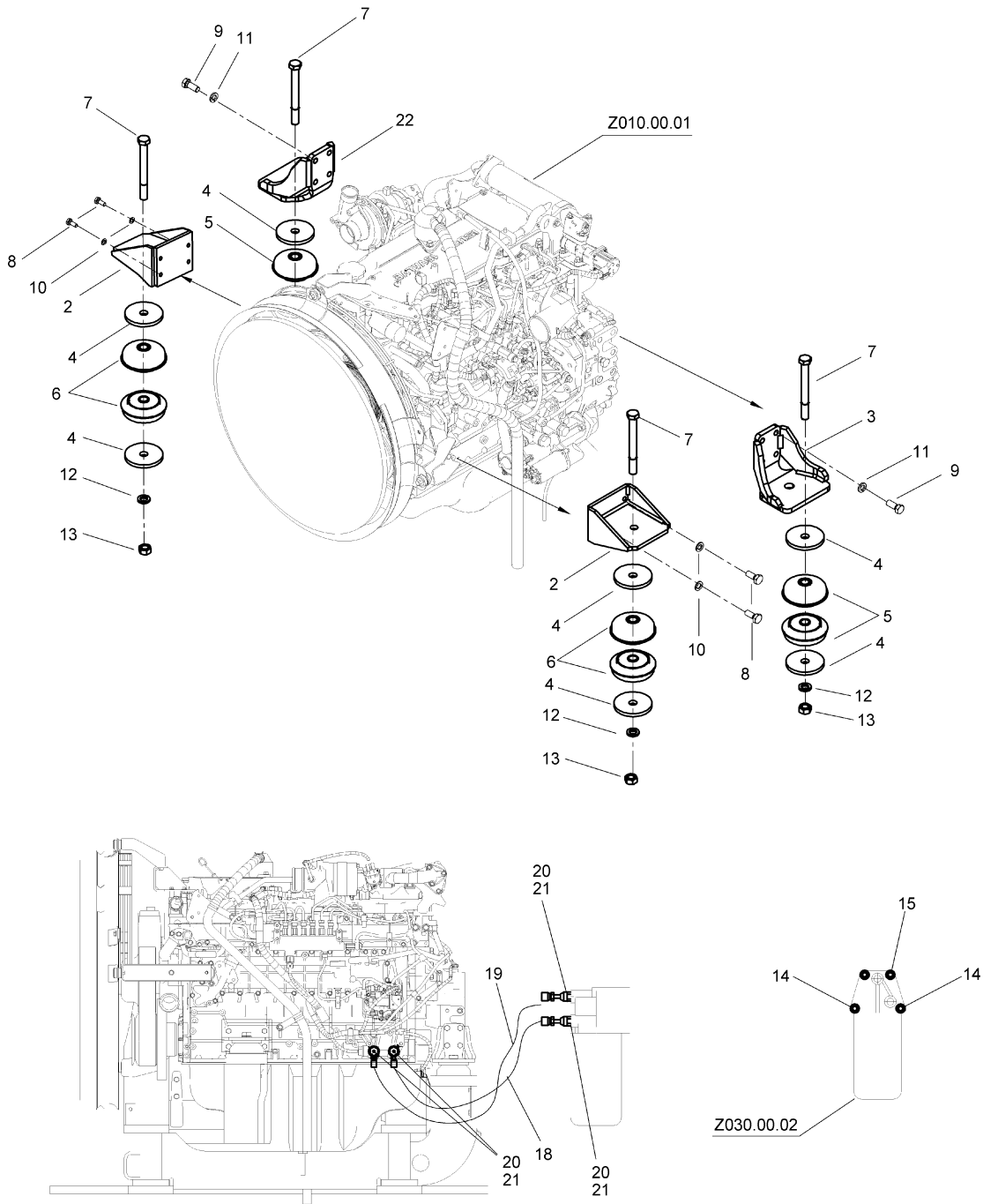
Sayfa No / Page No	Sayfa Adı	Page Name	Revizyon / Revision
A010.00.01	MOTOR MONTAJI	ENGINE MOUNTING	
A010.00.01	MOTOR MONTAJI	ENGINE MOUNTING	R1
A010.00.01	MOTOR MONTAJI	ENGINE MOUNTING	R2
A010.00.01	MOTOR MONTAJI	ENGINE MOUNTING	R3
A020.00.01	HAVA EMİŞ SİSTEMİ	AIR INTAKE SYSTEM	
A030.00.01	EGZOZ MONTAJI	EXHAUST MOUNTING	
A030.00.01	EGZOZ MONTAJI	EXHAUST MOUNTING	R1
A030.00.01	EGZOZ MONTAJI	EXHAUST MOUNTING	R2
A030.00.01	EGZOZ MONTAJI	EXHAUST MOUNTING	R3
A040.00.01	SOĞUTMA SİSTEMİ	COOLING SYSTEM	
A040.00.01	SOĞUTMA SİSTEMİ	COOLING SYSTEM	R1
A040.00.01	SOĞUTMA SİSTEMİ	COOLING SYSTEM	R2
A050.00.01	RADYATÖR KOMPLESİ	RADIATOR ASS'Y	
A050.00.01	RADYATÖR KOMPLESİ	RADIATOR ASS'Y	R1
A050.00.01	RADYATÖR KOMPLESİ	RADIATOR ASS'Y	R2
A050.00.01	RADYATÖR KOMPLESİ	RADIATOR ASS'Y	R3
A060.00.01	YAKIT SİSTEMİ	FUEL SYSTEM	
A060.00.01	YAKIT SİSTEMİ	FUEL SYSTEM	R1
A070.00.01	ÖN YAKIT FİLTRESİ MONTAJI (OP)	PRE-FUEL FILTER ASS'Y (OP)	
A080.00.01	YAKIT TRANSFER POMPASI MONTAJI	FUEL FEED PUMP ASS'Y	
A080.00.01	YAKIT TRANSFER POMPASI MONTAJI	FUEL FEED PUMP ASS'Y	R1
A090.00.01	KLİMA VE KALORİFER MONTAJI	AIRCONDITION AND HEATER MOUNTING	
A090.00.01	KLİMA VE KALORİFER MONTAJI	AIRCONDITION AND HEATER MOUNTING	R1
A090.00.01	KLİMA VE KALORİFER MONTAJI	AIRCONDITION AND HEATER MOUNTING	R2
A100.00.01	KLİMA VE KALORİFER ÜNİTESİ	AIRCONDITION AND HEATER UNIT	
A100.00.01	KLİMA VE KALORİFER ÜNİTESİ	AIRCONDITION AND HEATER UNIT	R1



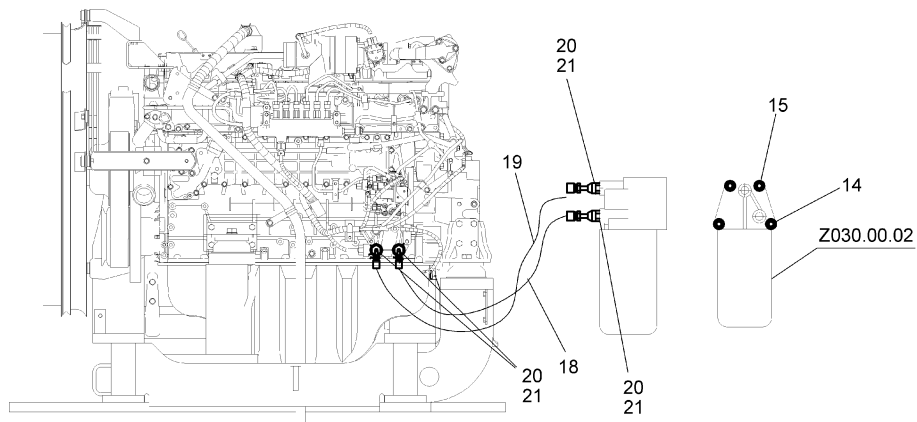
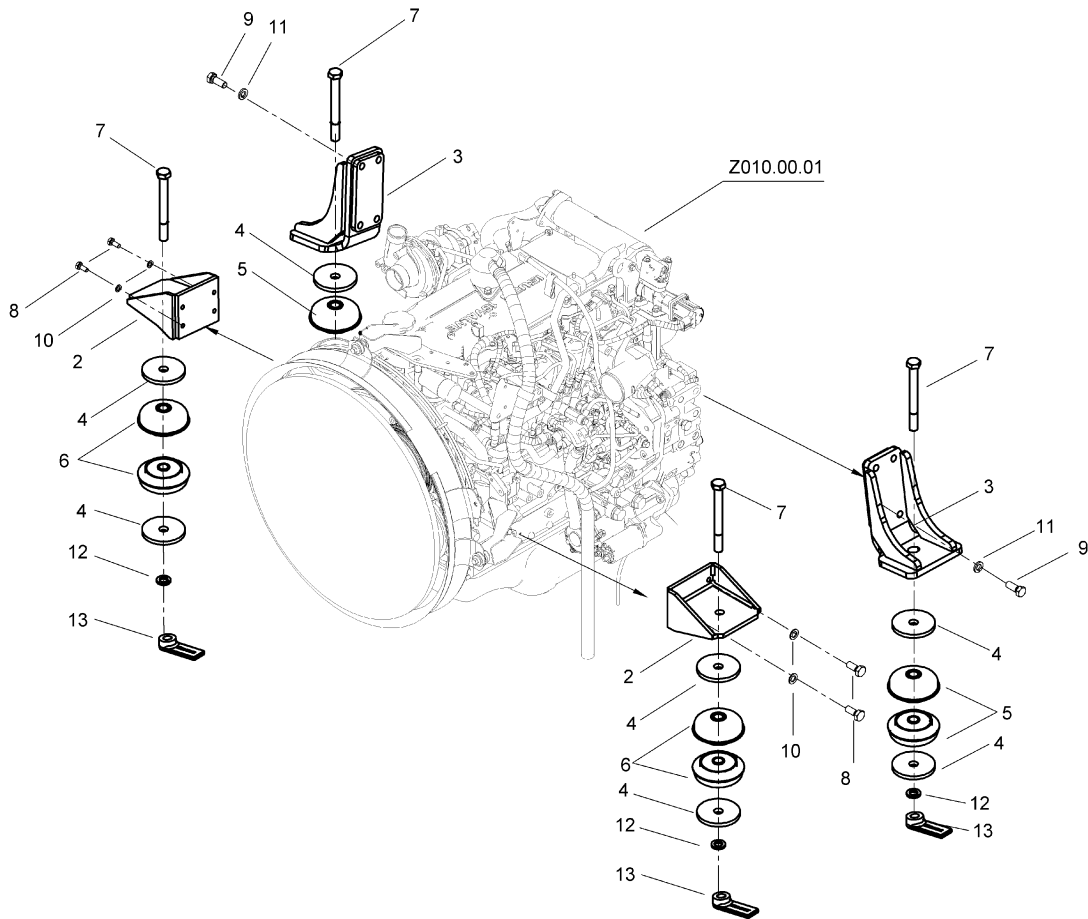
# MOTOR MONTAJI ENGINE MOUNTING



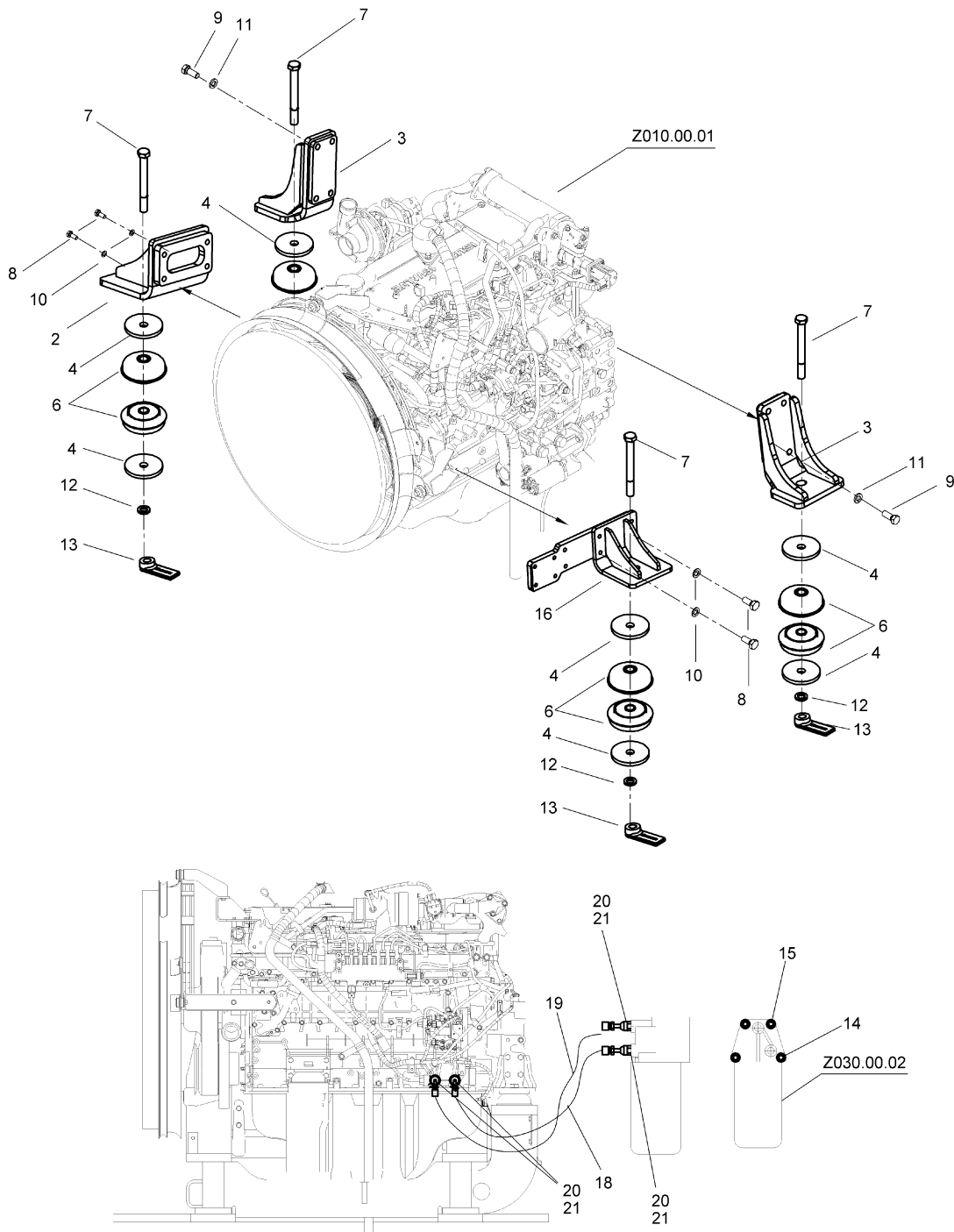
# MOTOR MONTAJI ENGINE MOUNTING



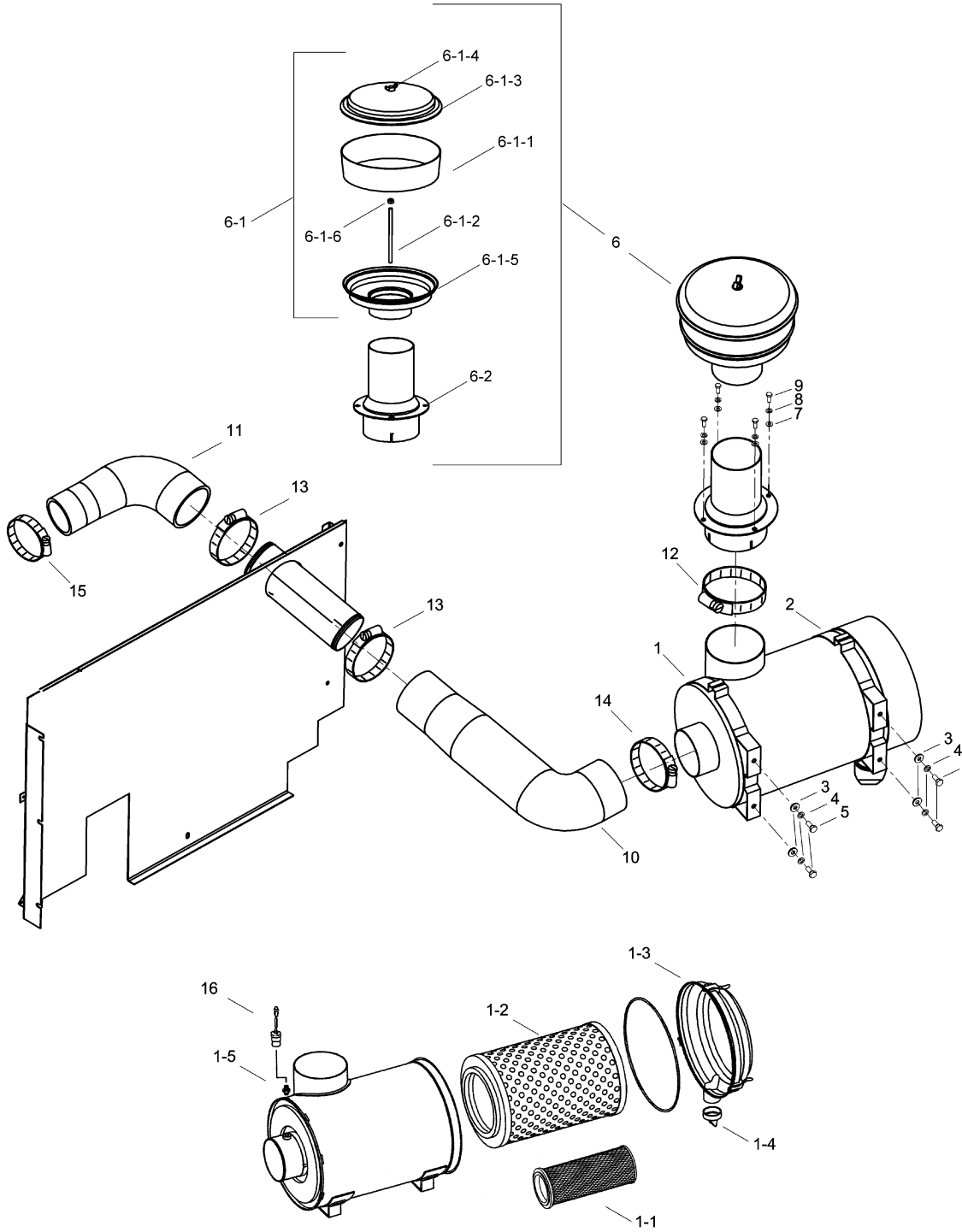
# MOTOR MONTAJI ENGINE MOUNTING



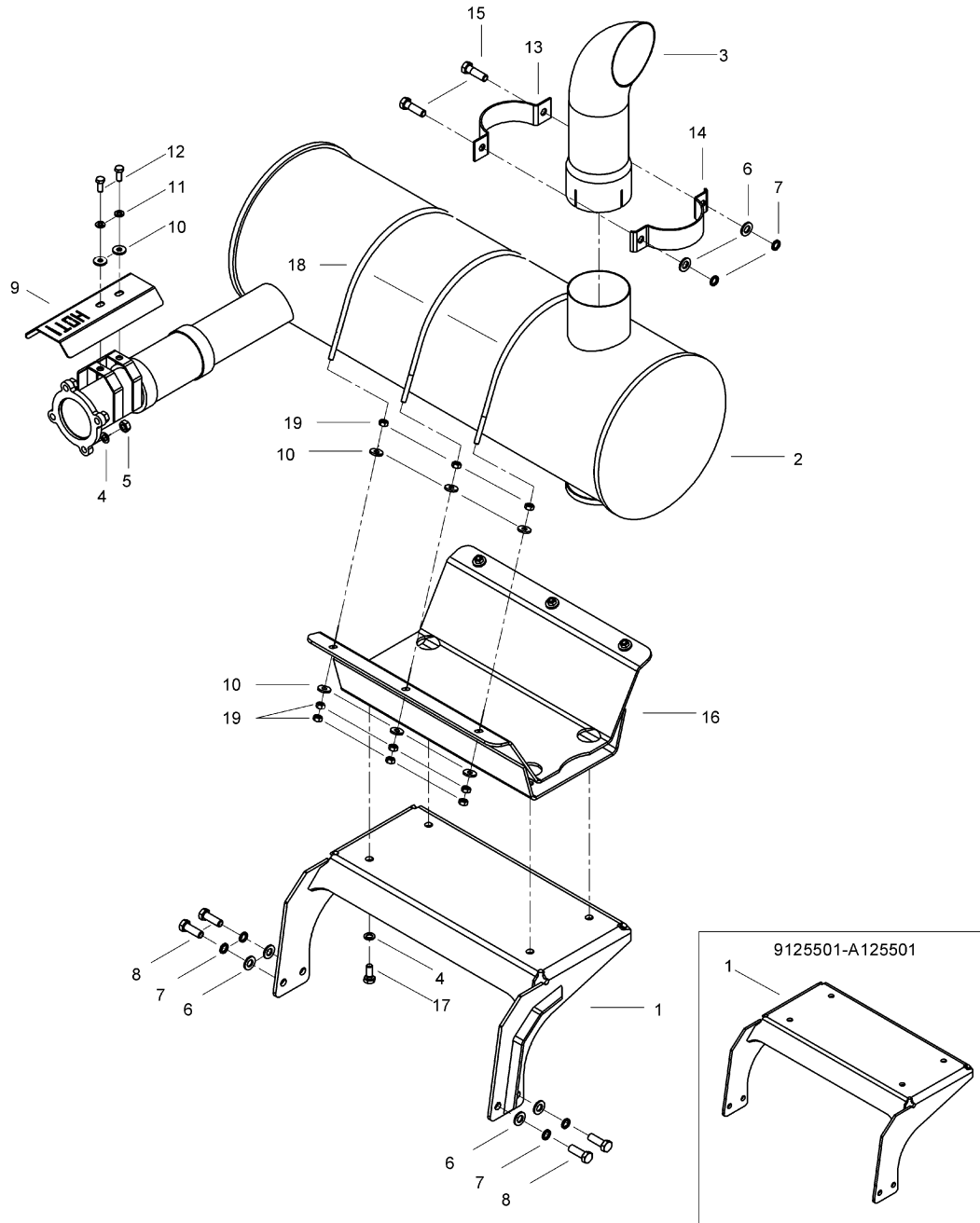
### MOTOR MONTAJI ENGINE MOUNTING



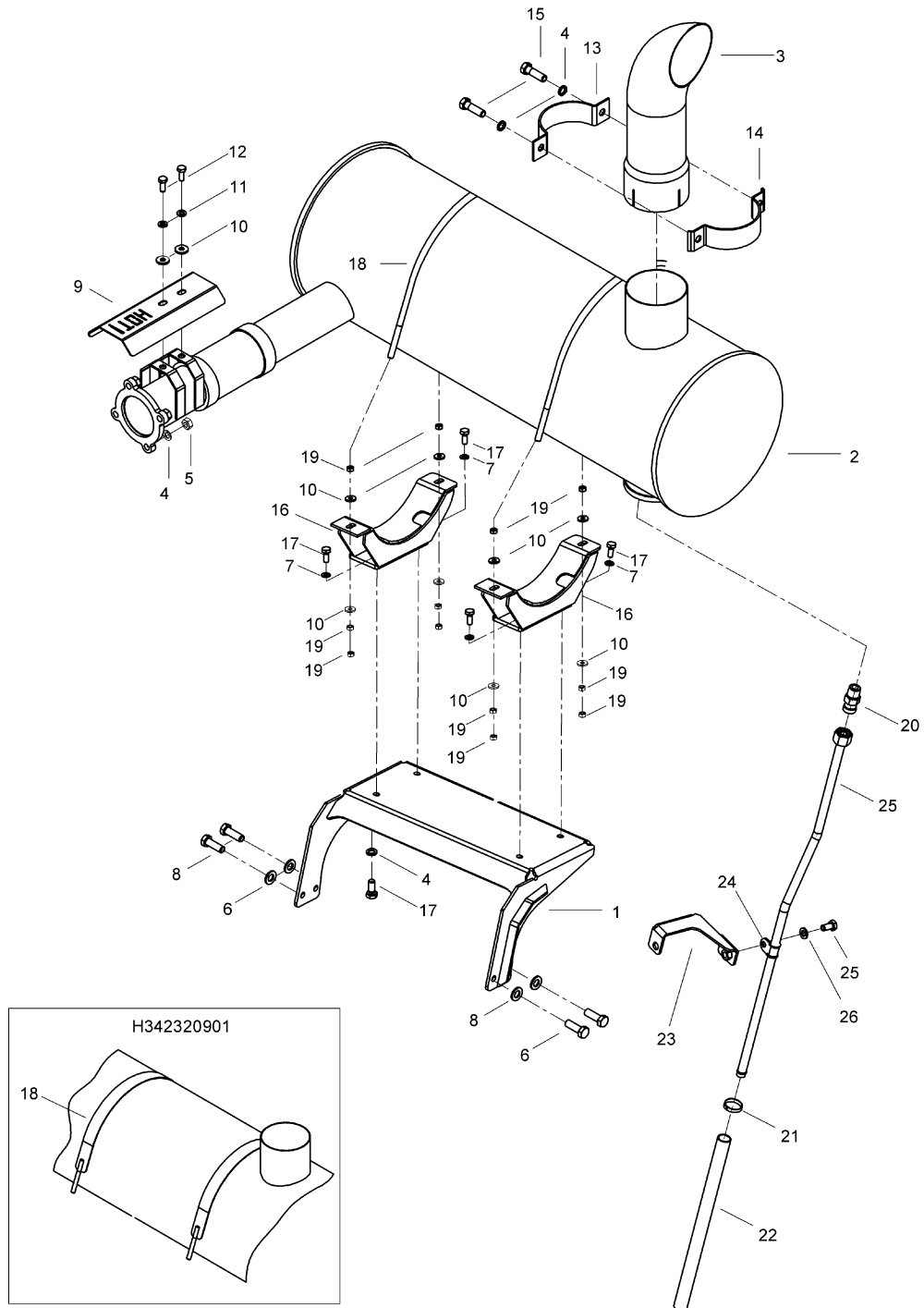
**HAVA EMİŞ SİSTEMİ  
AIR INTAKE SYSTEM**



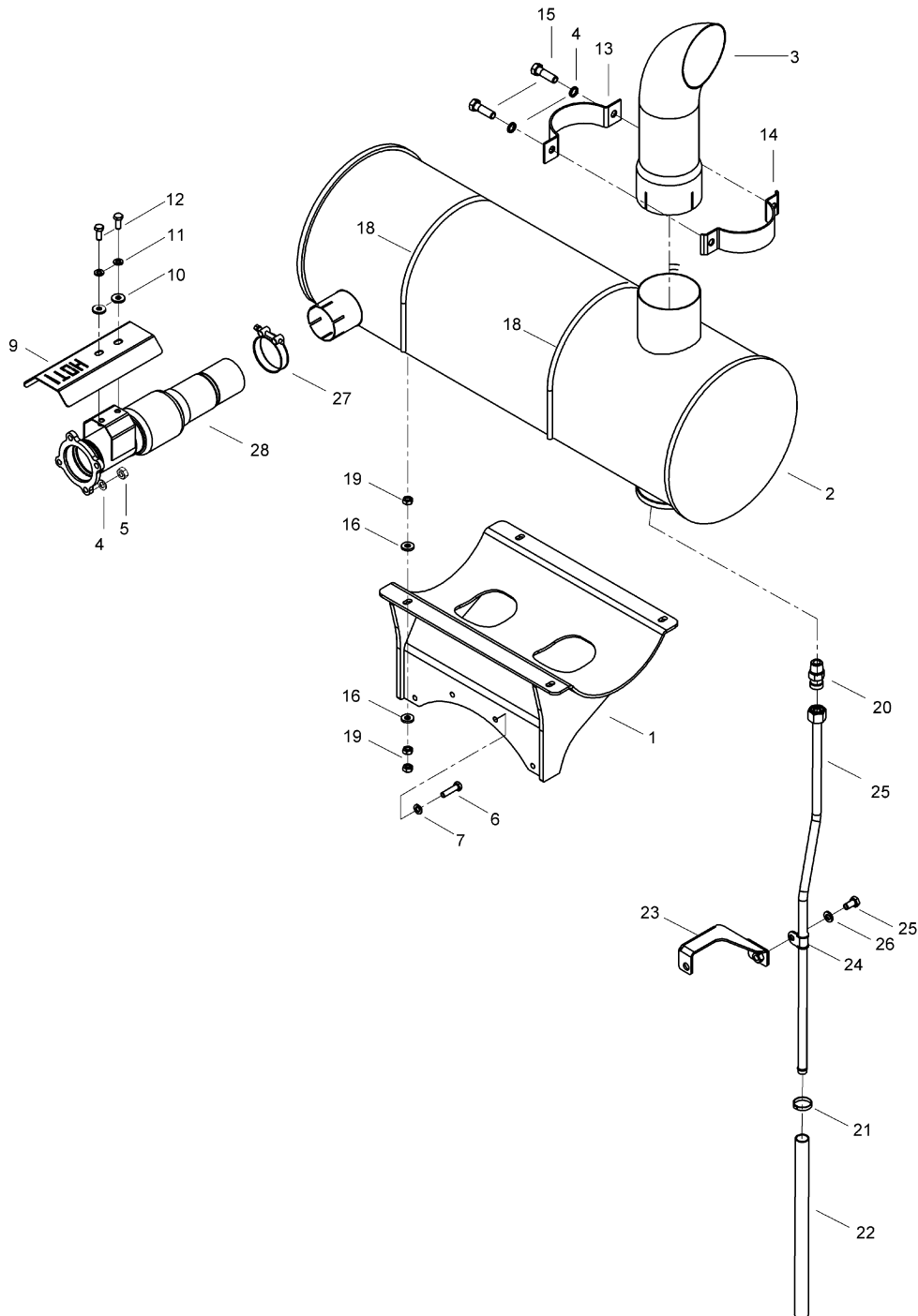
**EGZOZ MONTAJI  
EXHAUST MOUNTING**



### EGZOZ MONTAJI EXHAUST MOUNTING

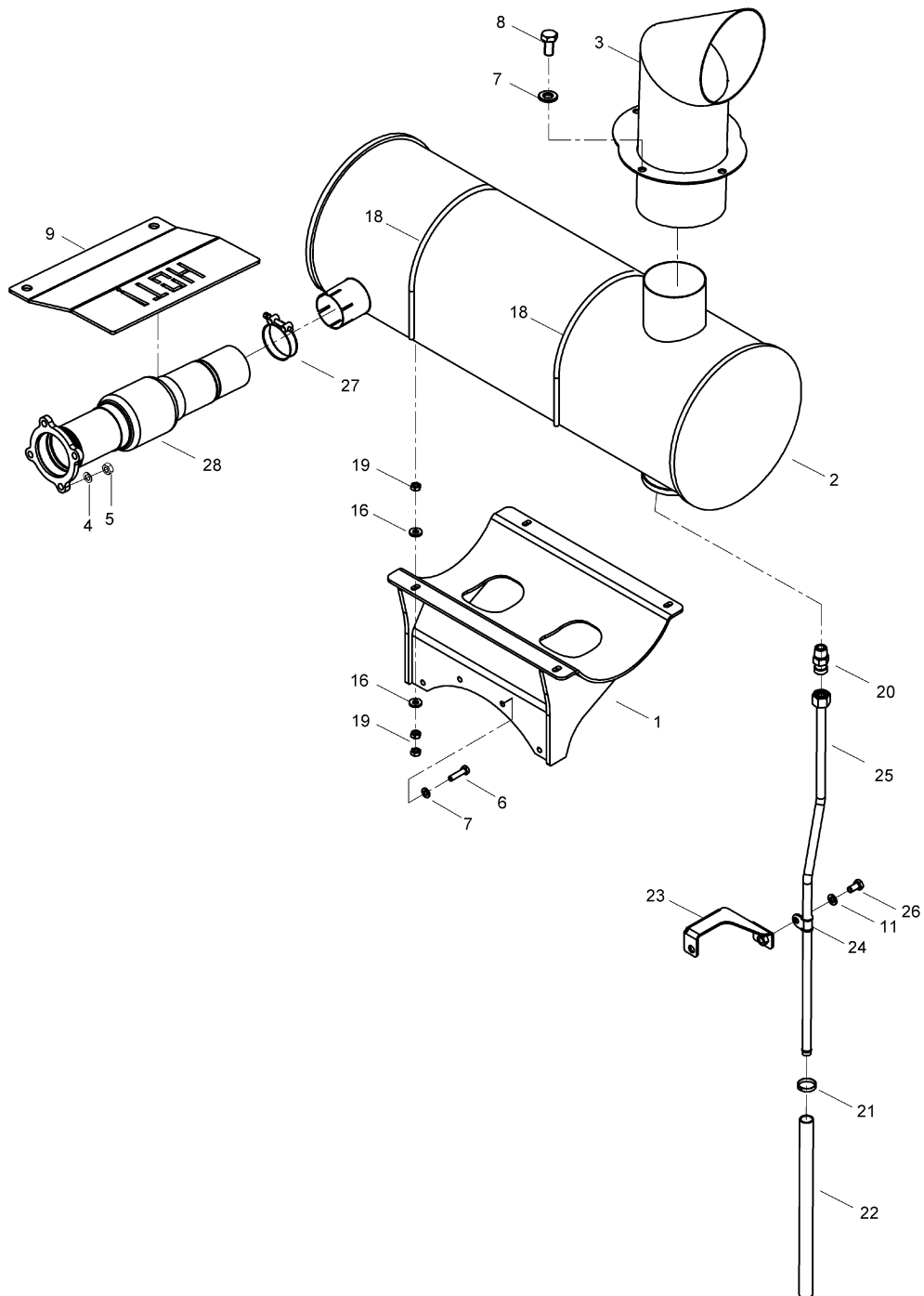


# EGZOZ MONTAJI EXHAUST MOUNTING

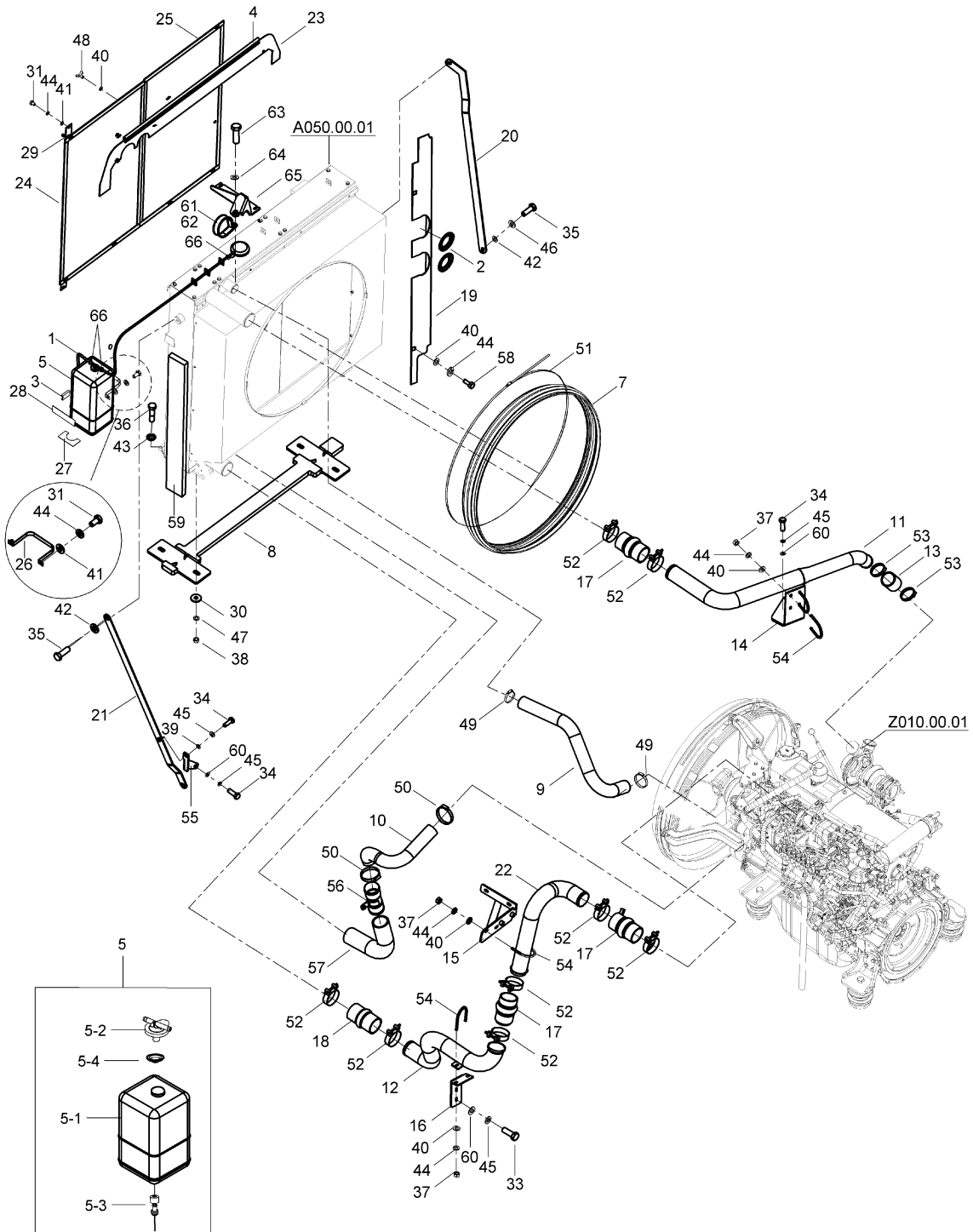




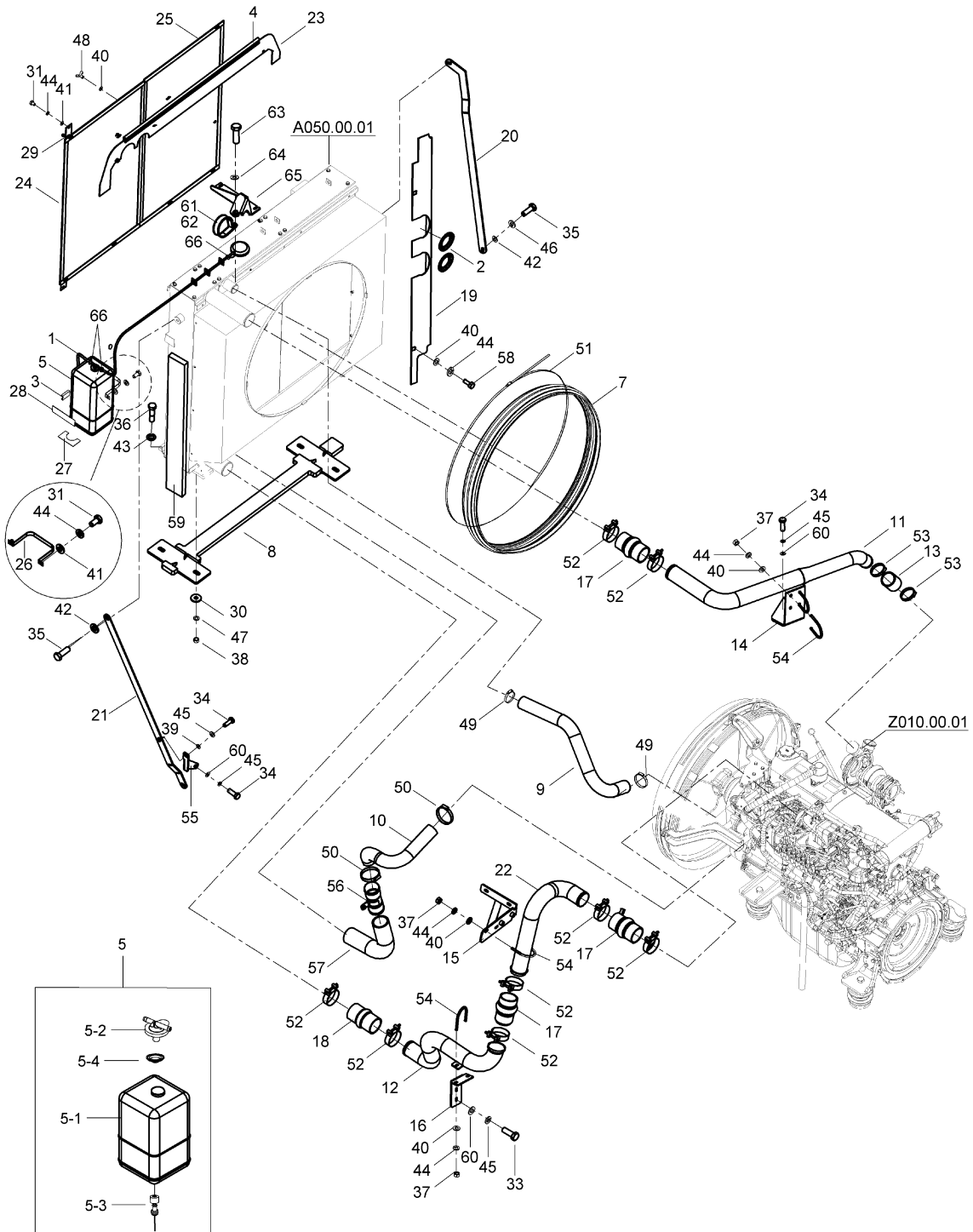
# EGZOZ MONTAJI EXHAUST MOUNTING



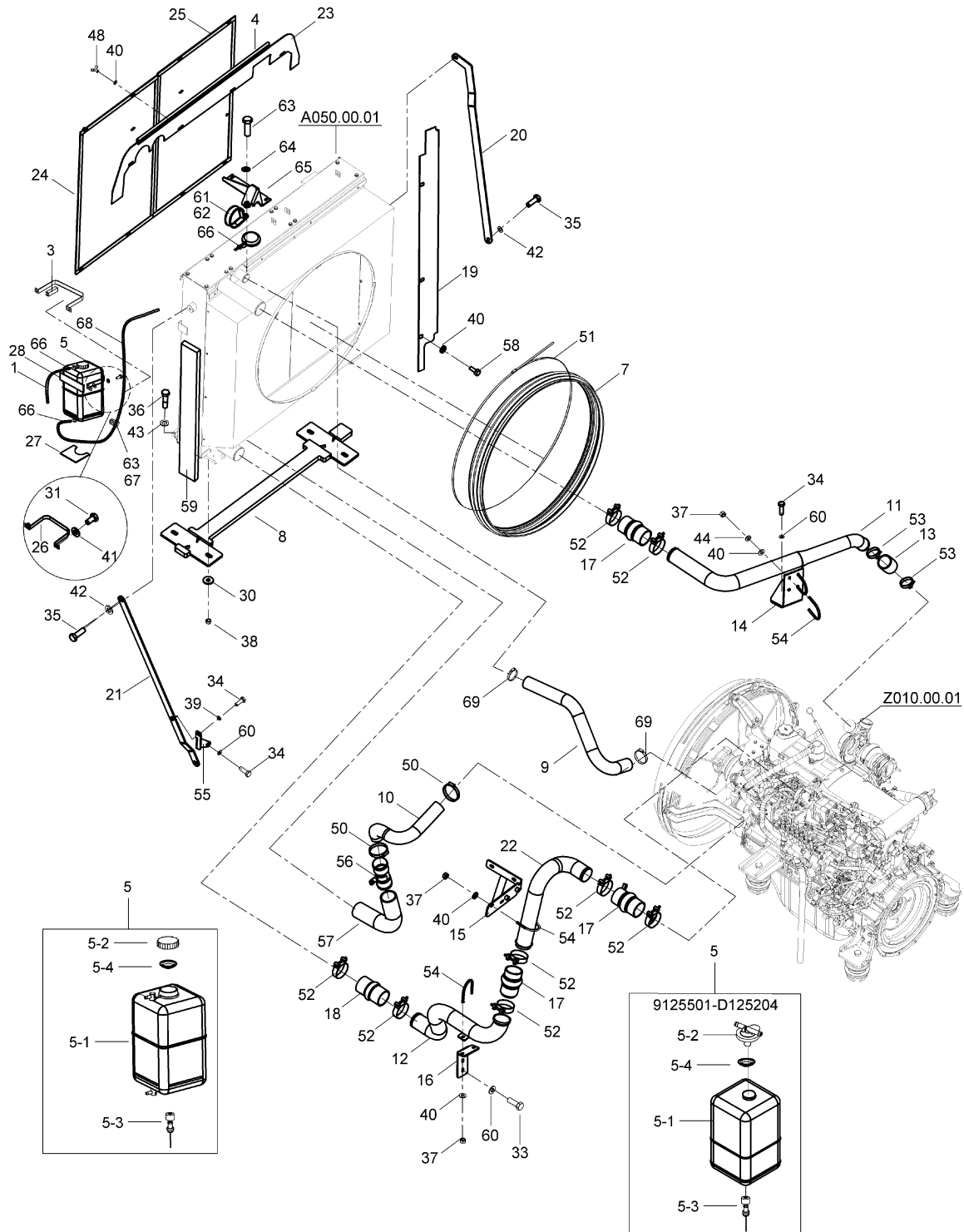
# SOĞUTMA SİSTEMİ COOLING SYSTEM



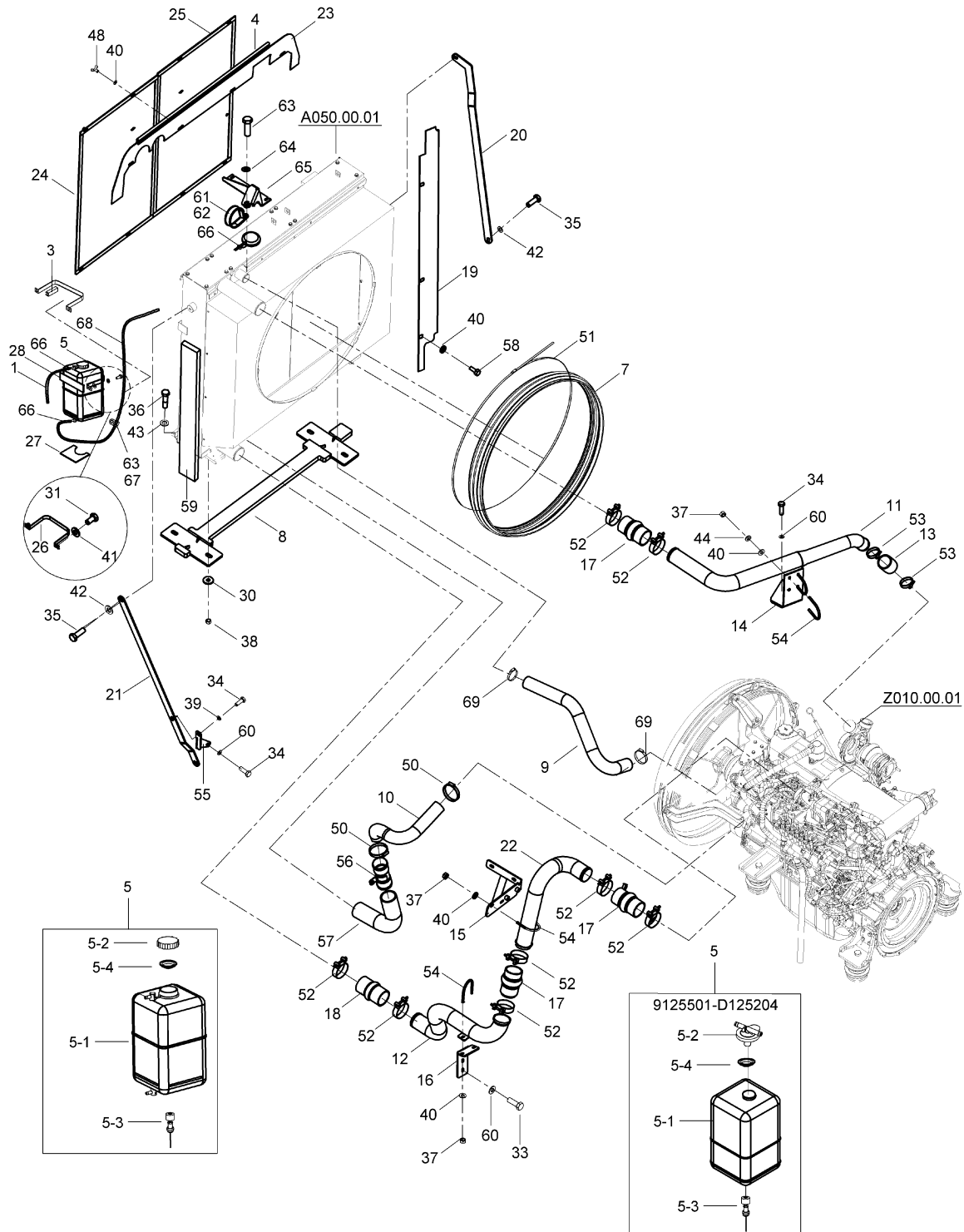
# SOĞUTMA SİSTEMİ COOLING SYSTEM



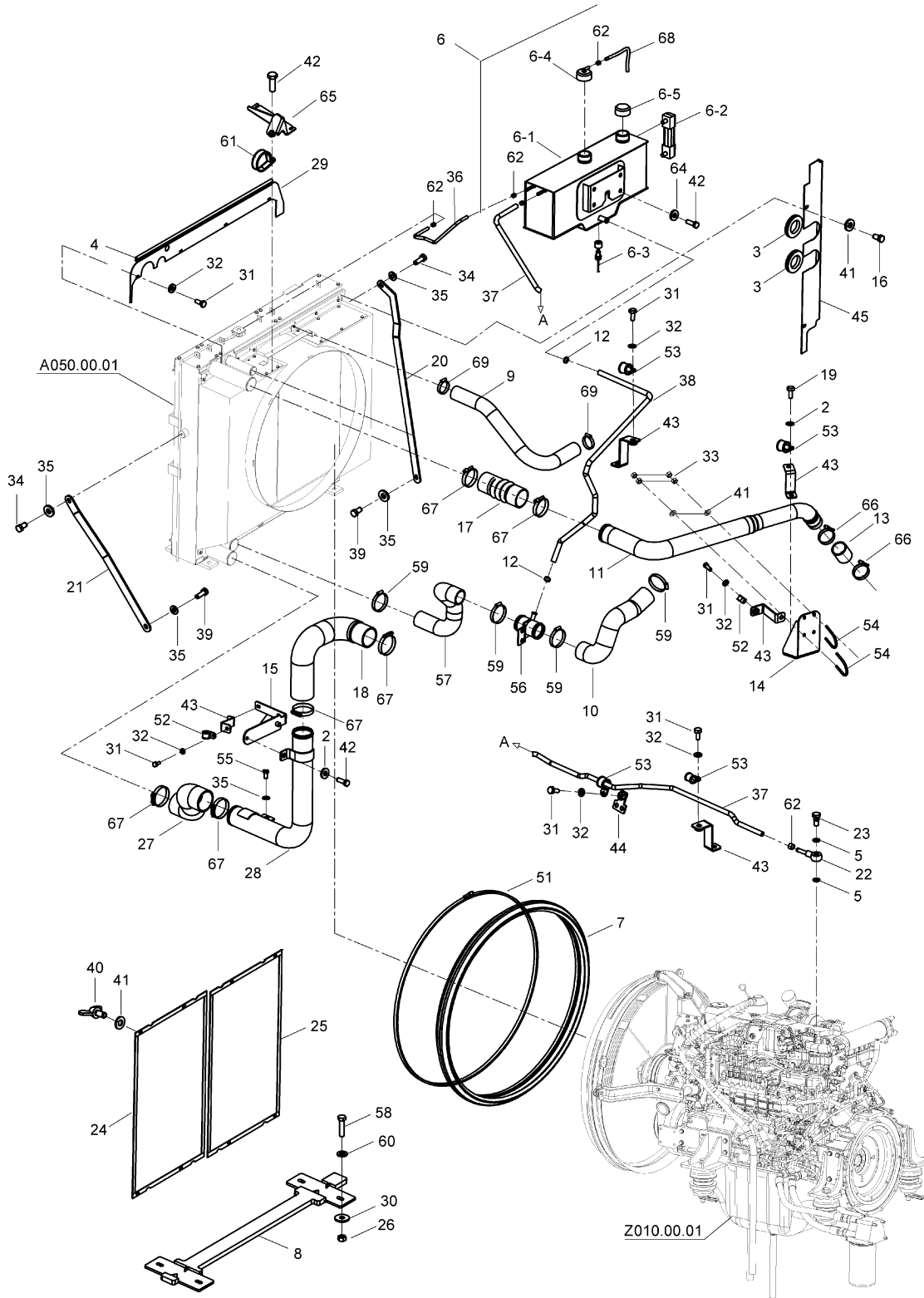
**SOĞUTMA SİSTEMİ  
COOLING SYSTEM**



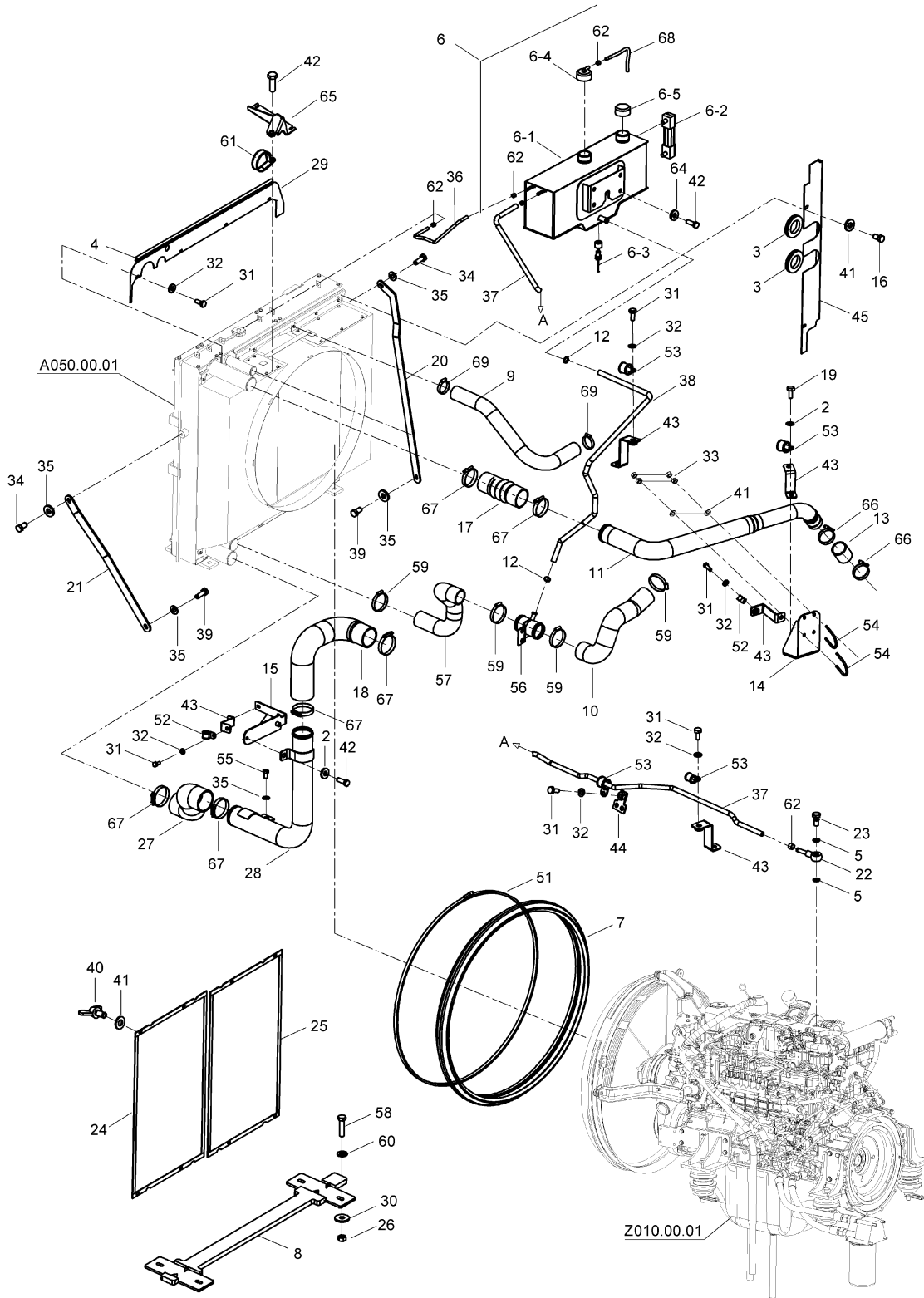
**SOĞUTMA SİSTEMİ  
COOLING SYSTEM**



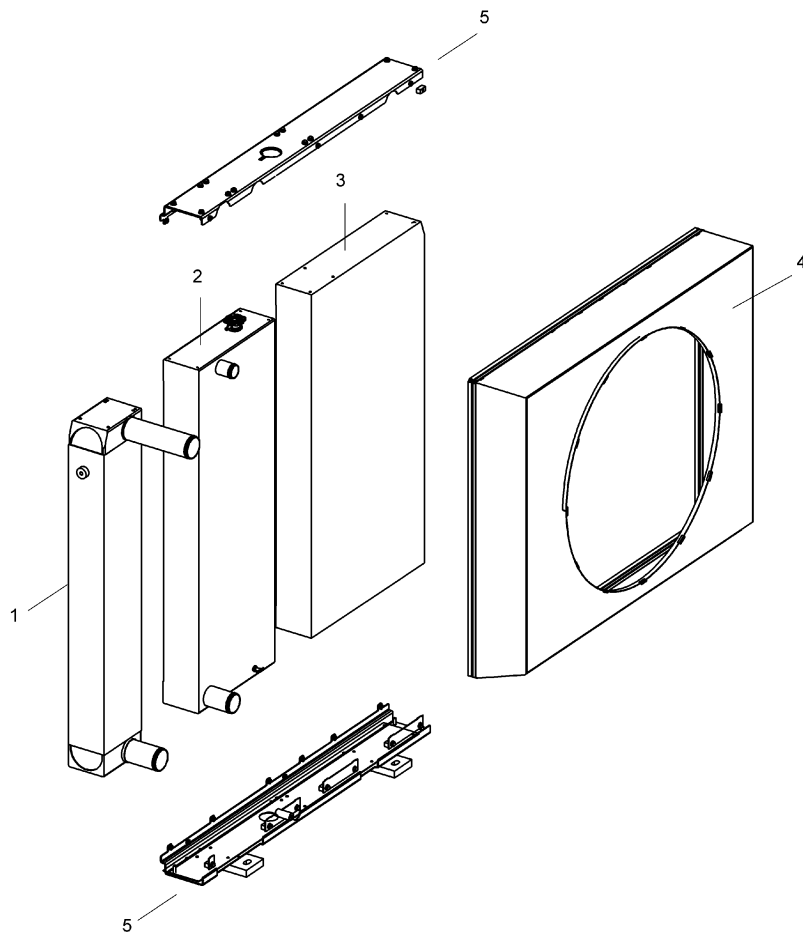
**SOĞUTMA SİSTEMİ  
COOLING SYSTEM**



# SOĞUTMA SİSTEMİ COOLING SYSTEM

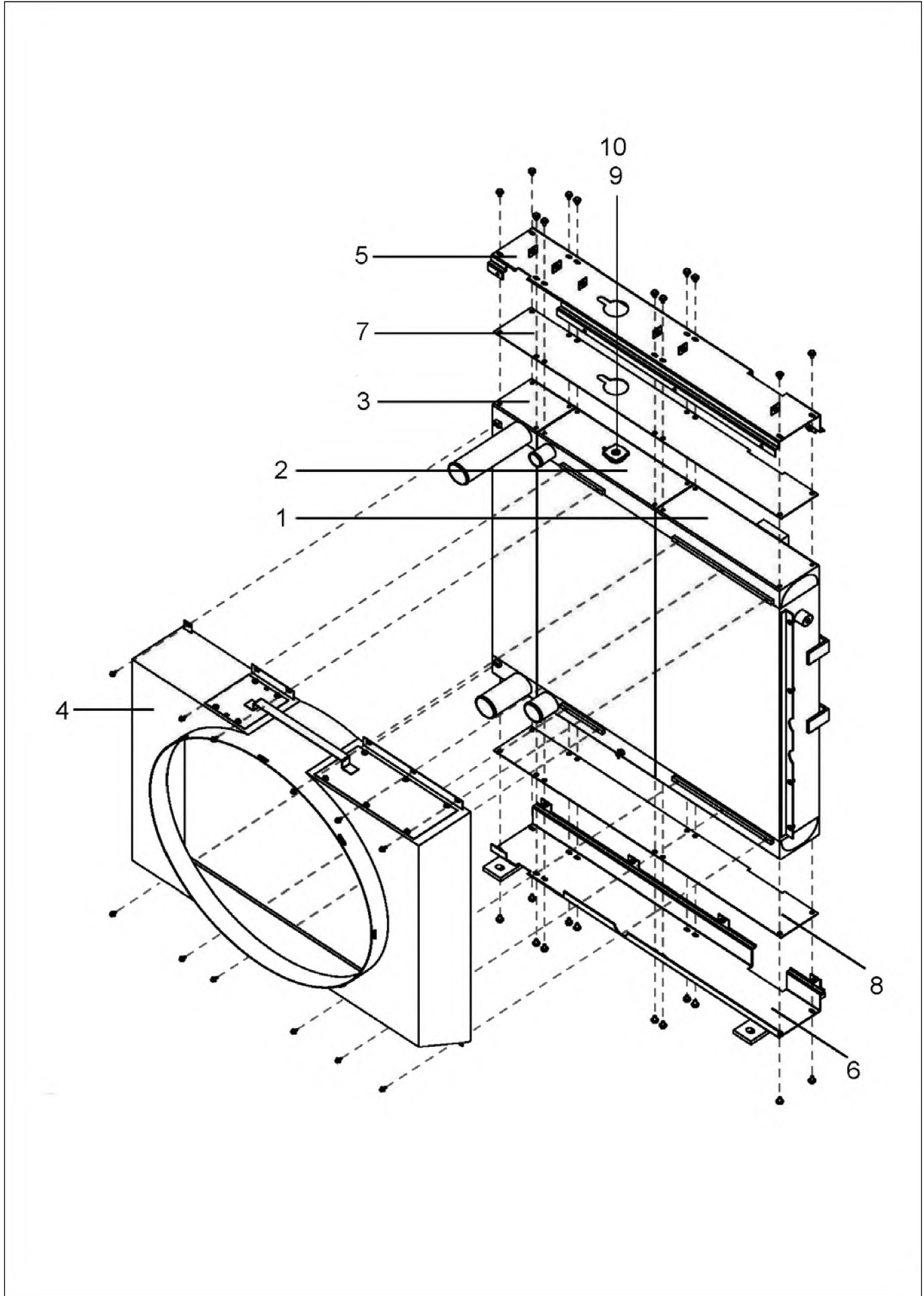


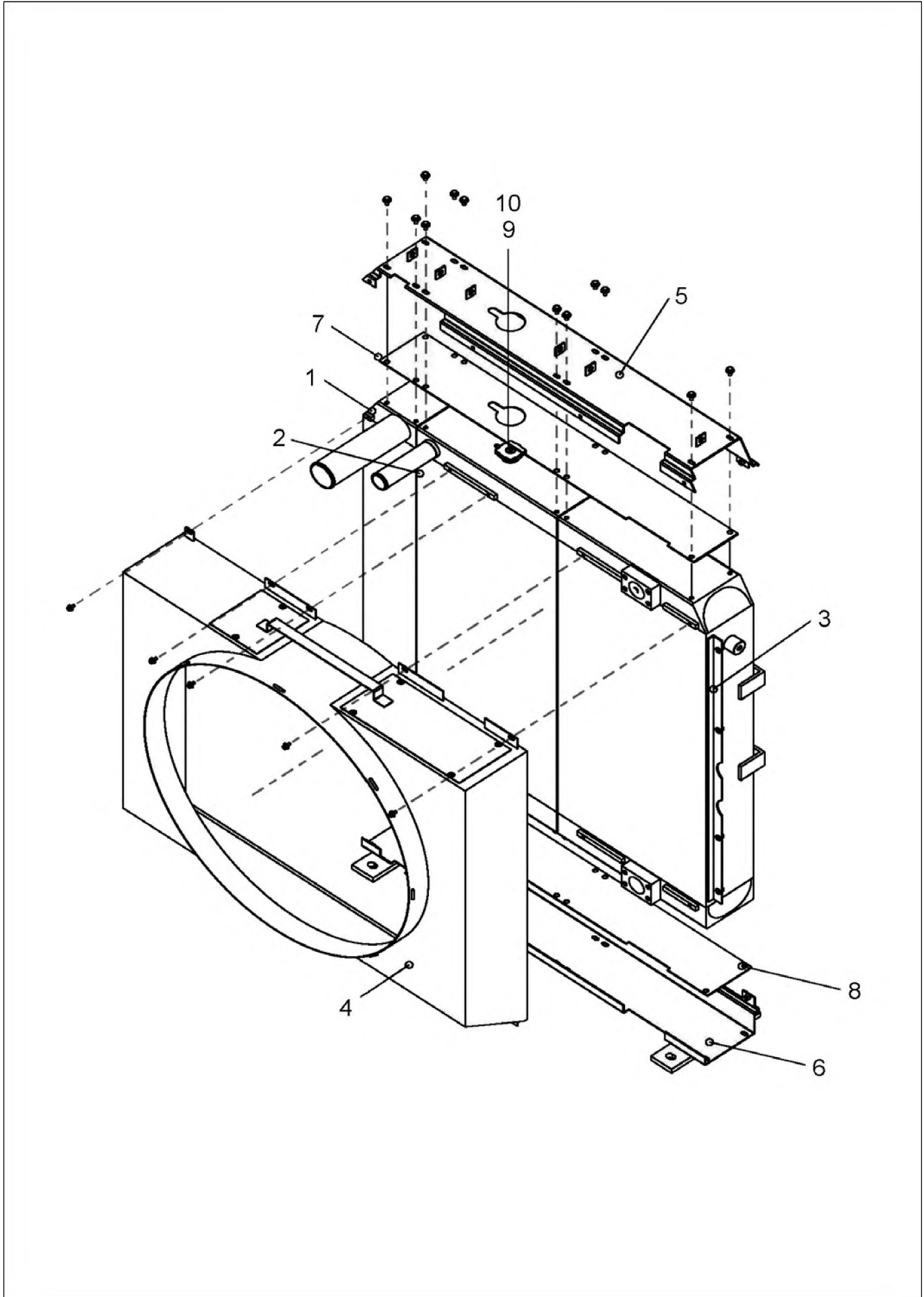
RADYATÖR KOMPLESİ  
RADIATOR ASS'Y

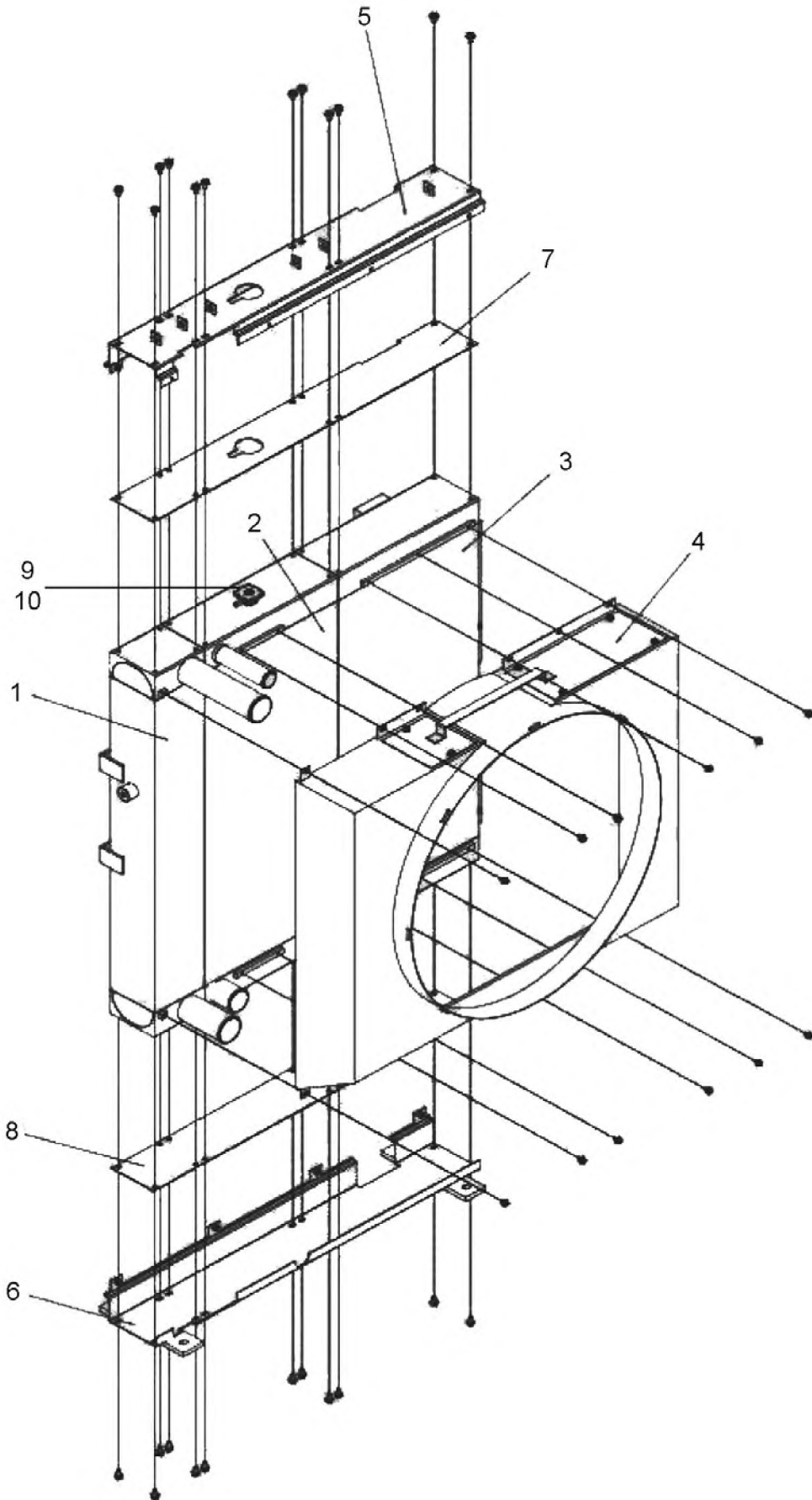




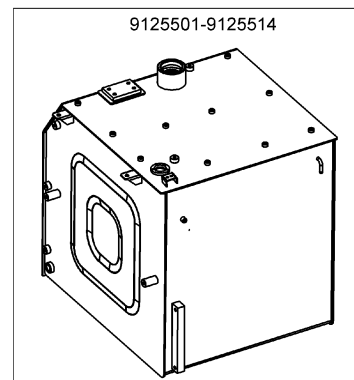
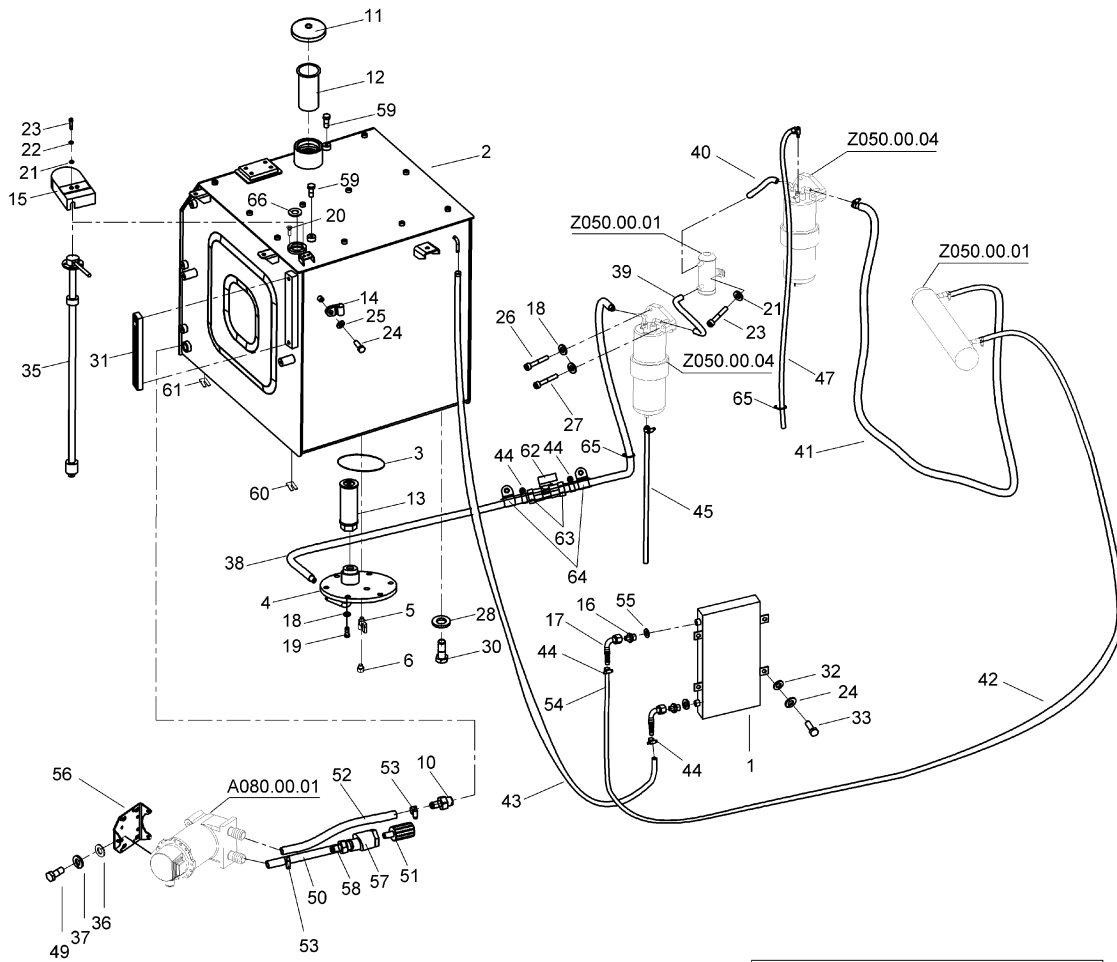
# RADYATÖR KOMPLESİ RADIATOR ASS'Y



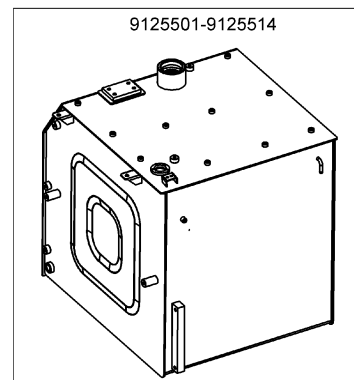
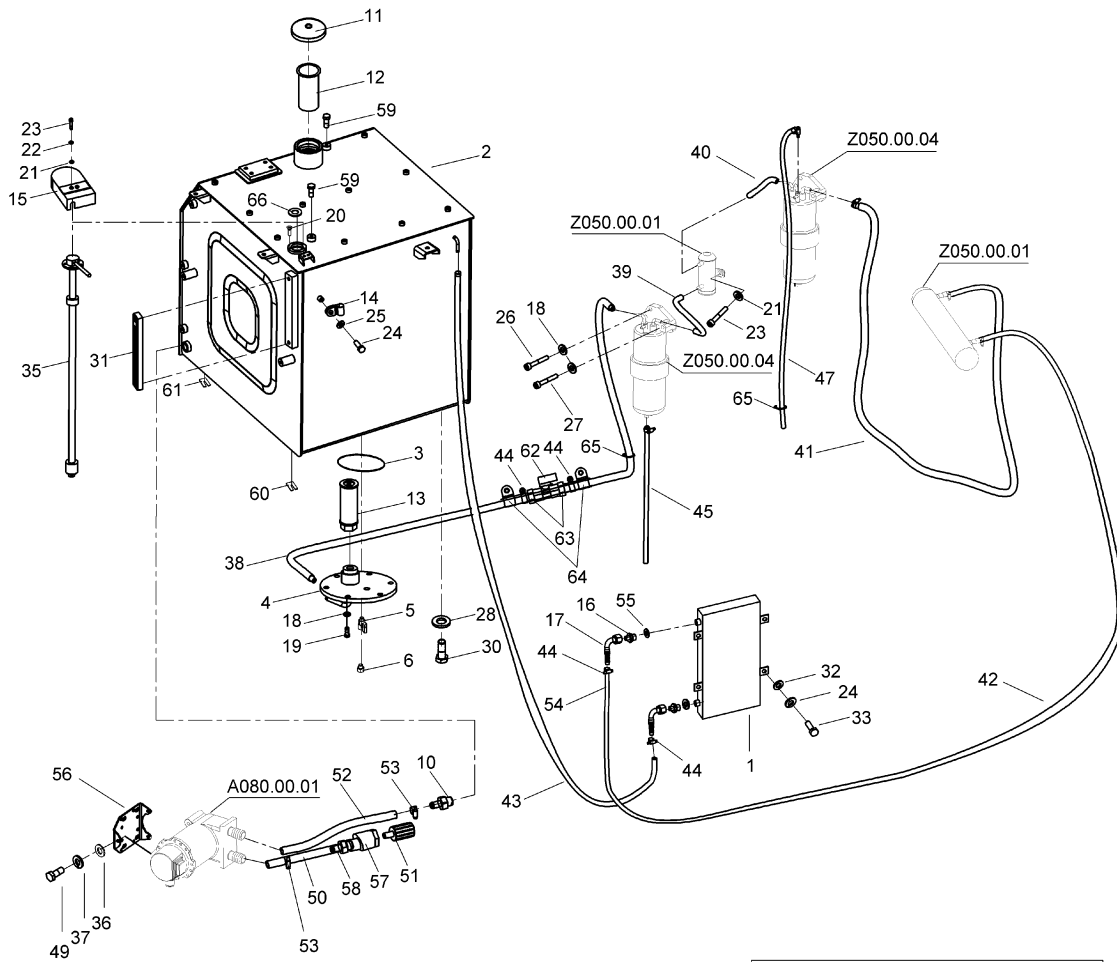
**RADYATÖR KOMPLESİ  
RADIATOR ASS'Y**

**RADYATÖR KOMPLESİ**  
**RADIATOR ASS'Y**

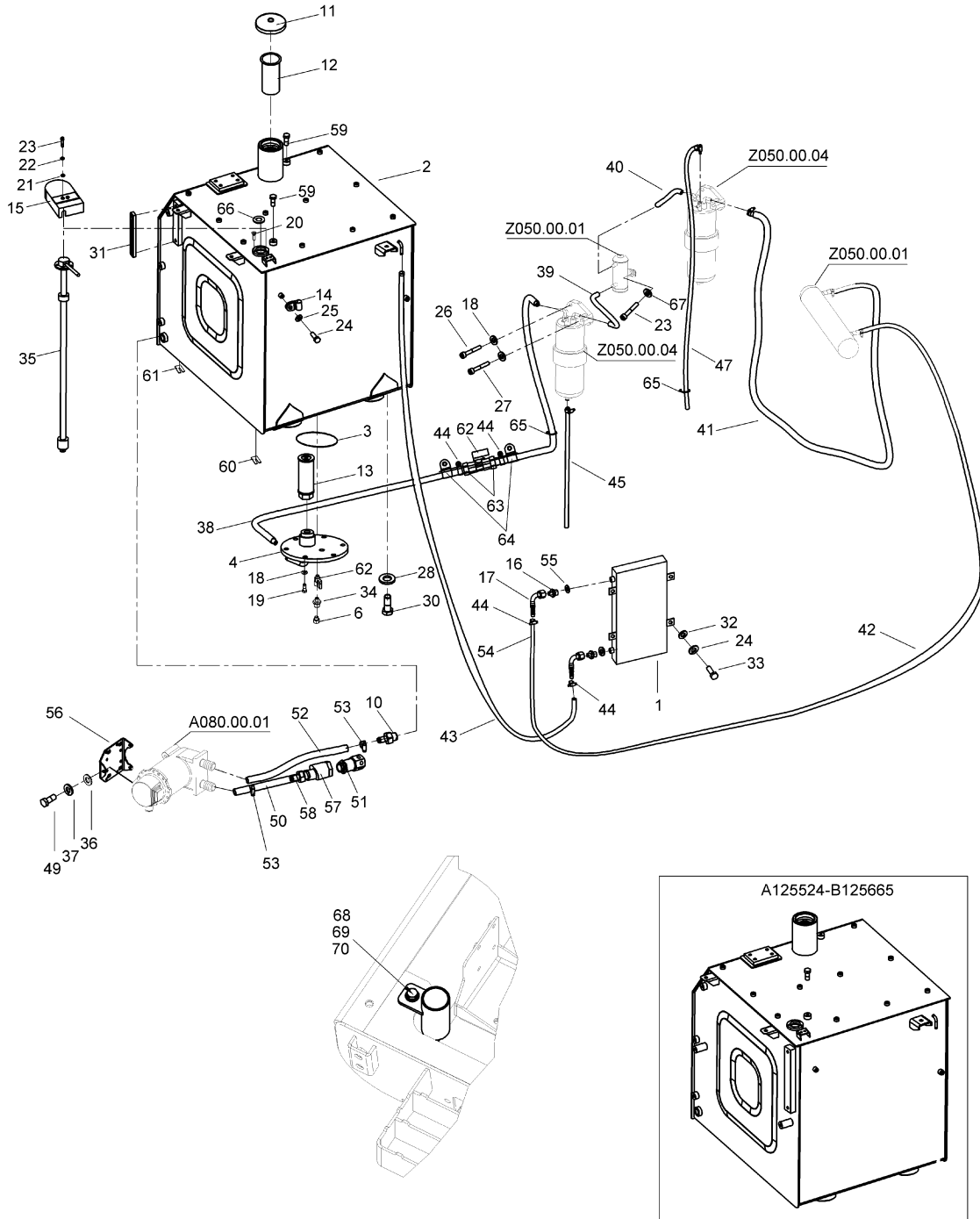
# YAKIT SİSTEMİ FUEL SYSTEM



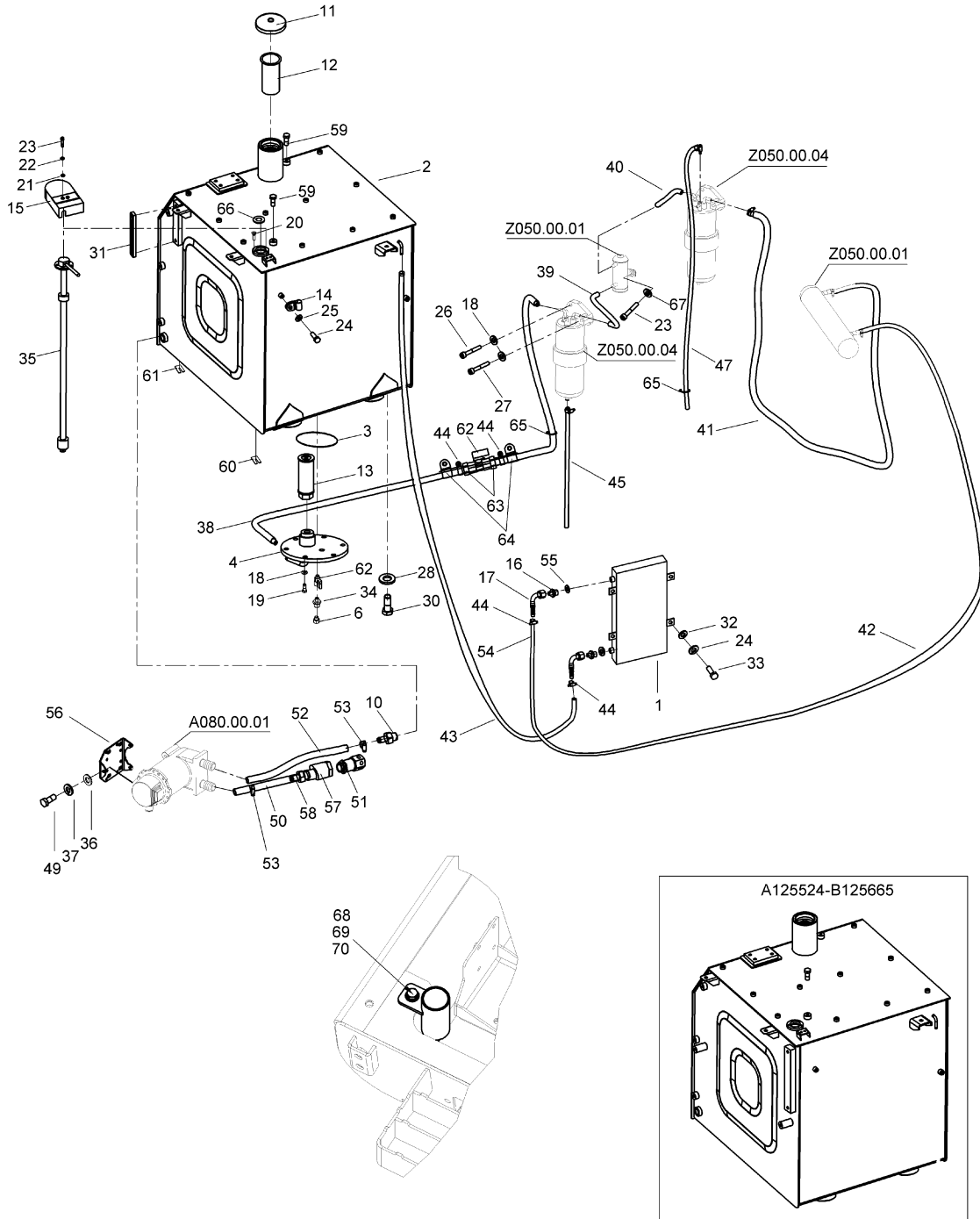
# YAKIT SİSTEMİ FUEL SYSTEM



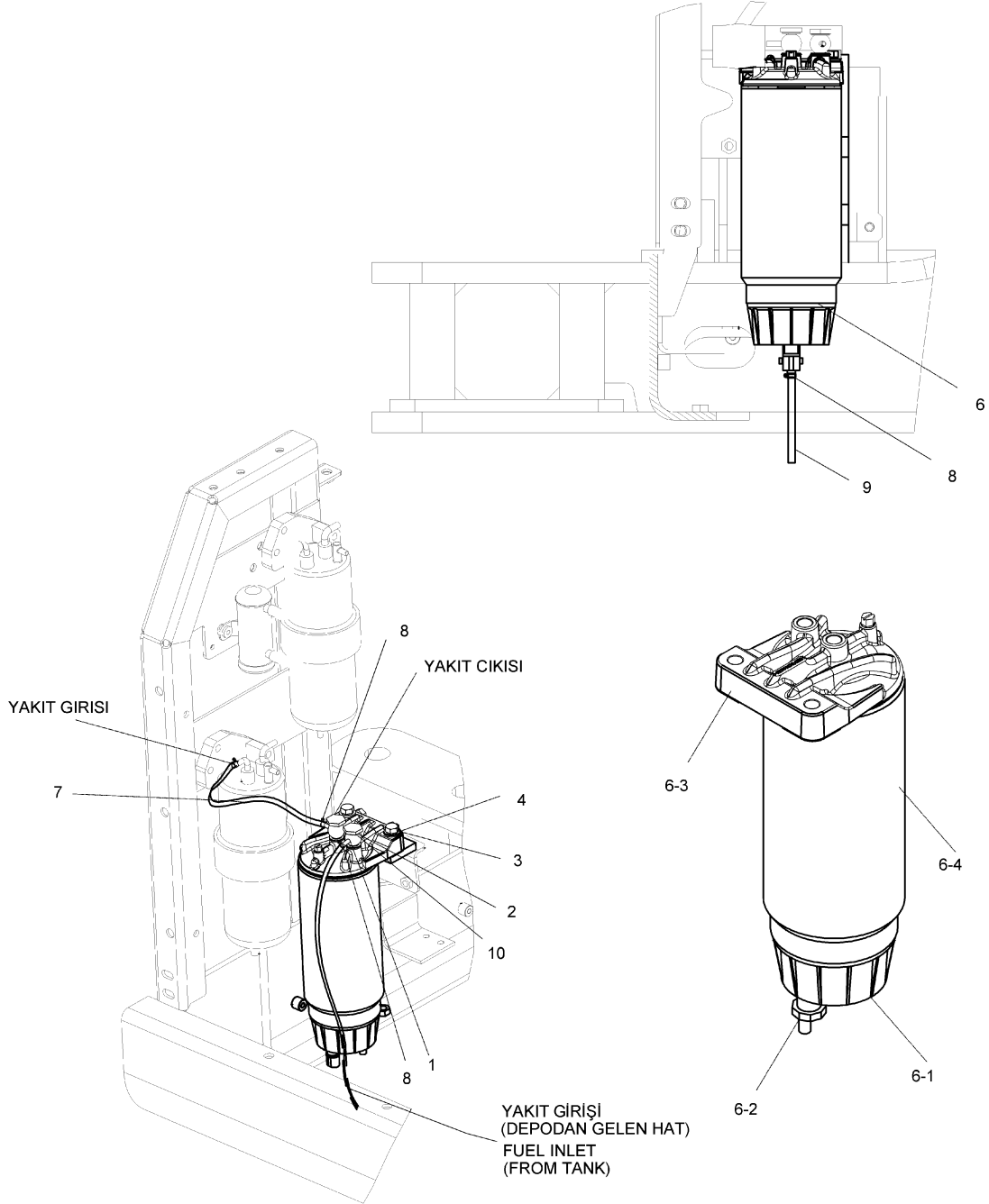
# YAKIT SİSTEMİ FUEL SYSTEM



# YAKIT SİSTEMİ FUEL SYSTEM

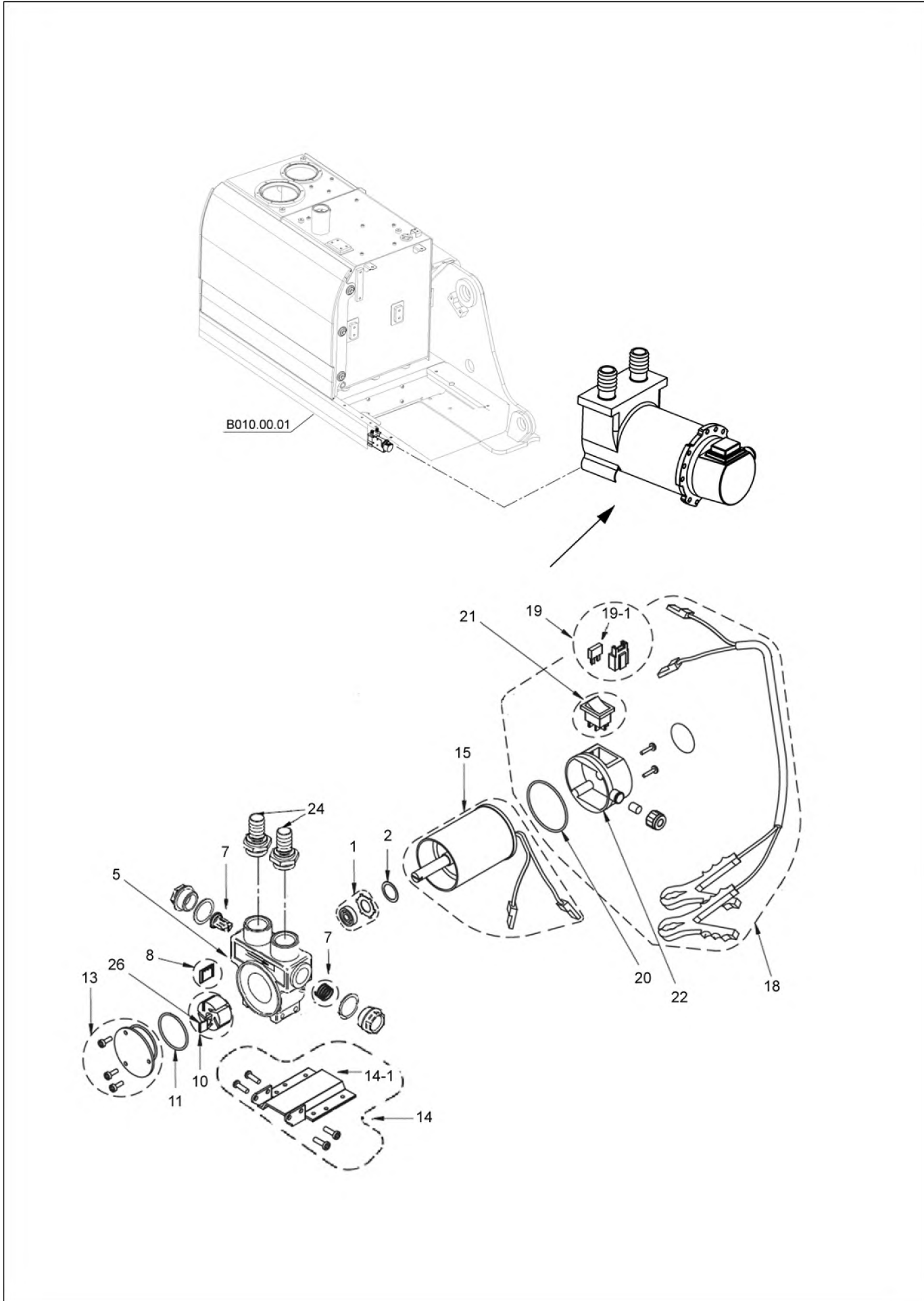


ÖN YAKIT FİLTRESİ MONTAJI (OP)  
PRE-FUEL FILTER ASS'Y (OP)

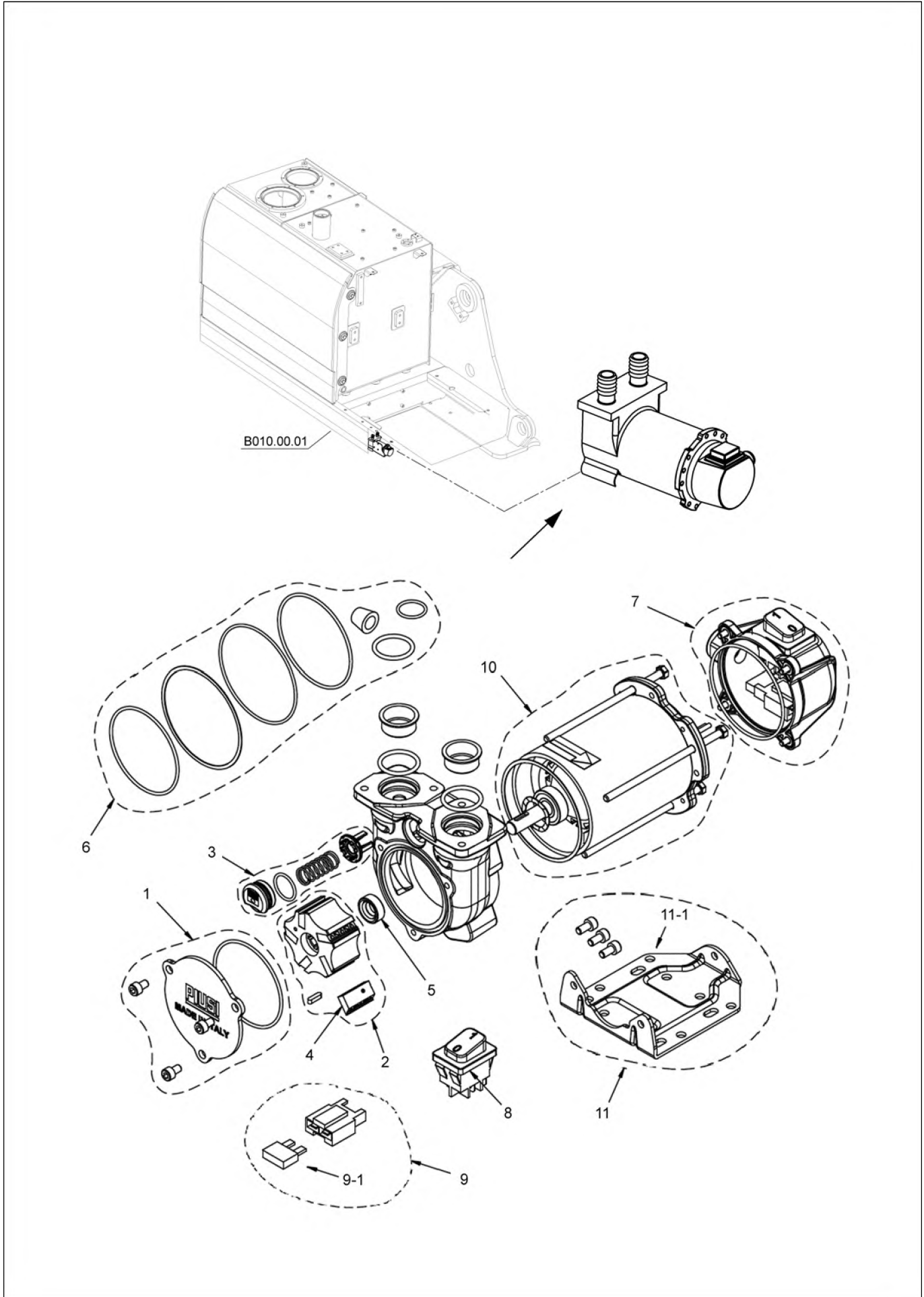




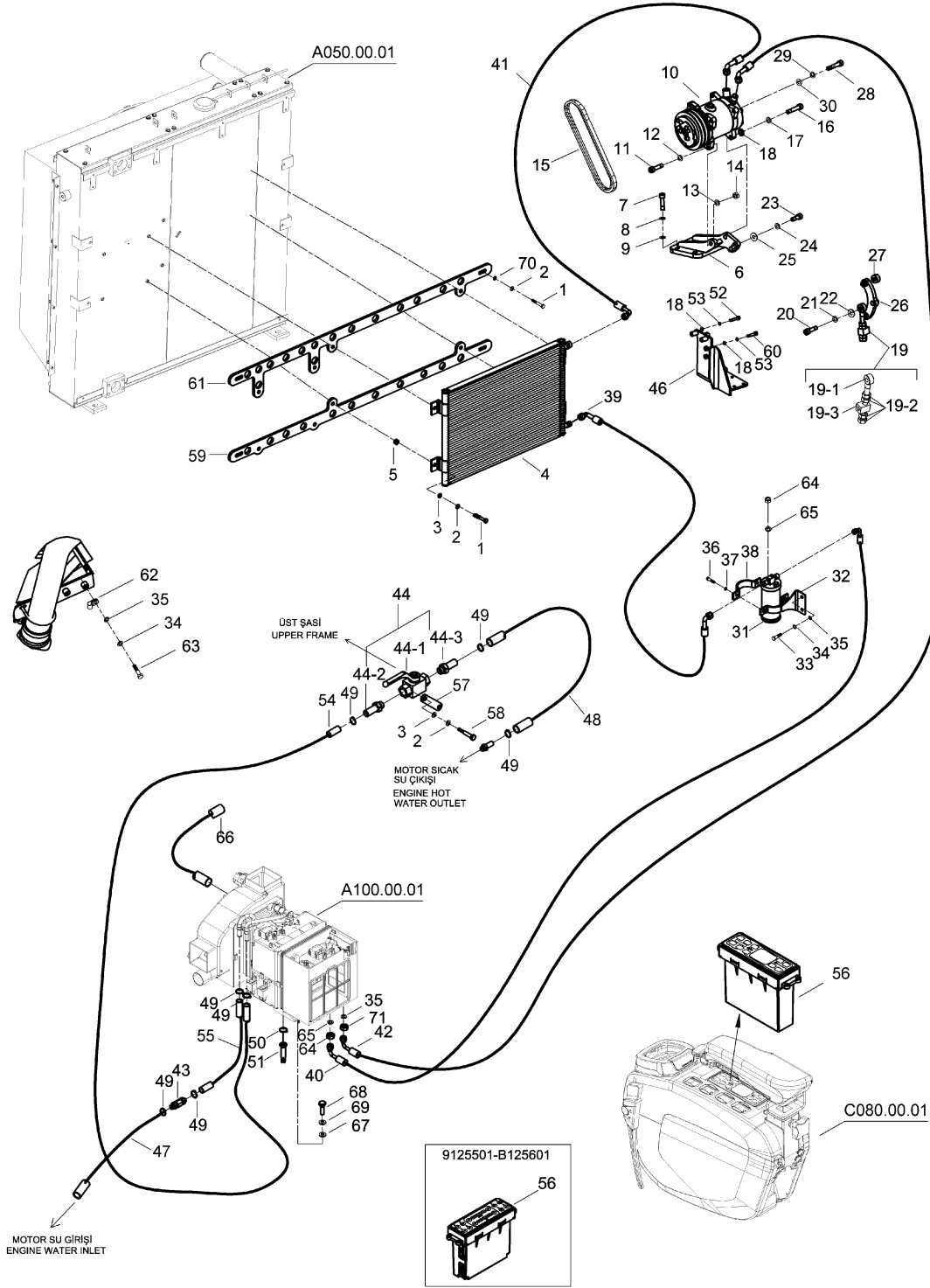
**YAKIT TRANSFER POMPASI MONTAJI  
FUEL FEED PUMP ASS'Y**



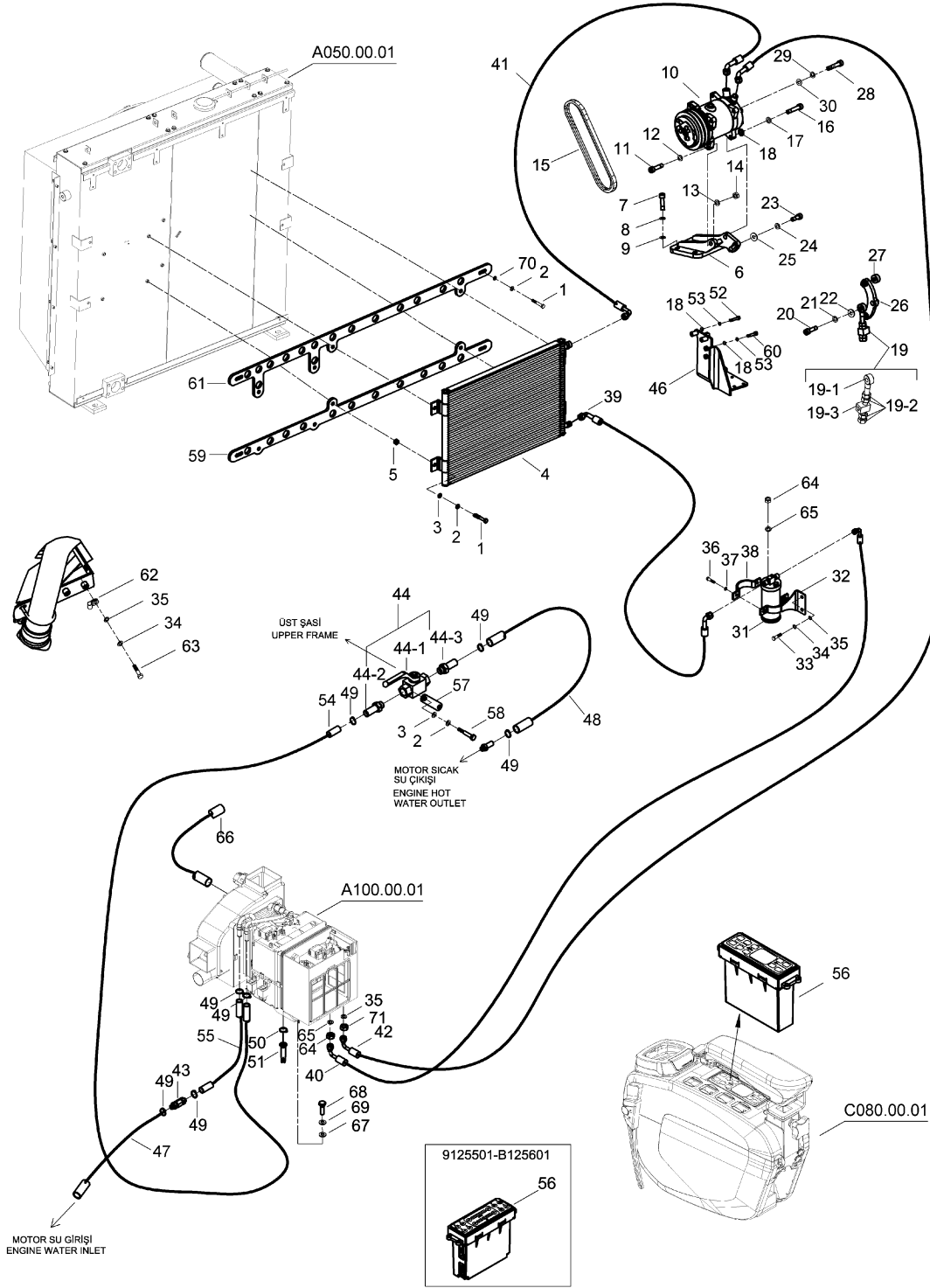
**YAKIT TRANSFER POMPASI MONTAJI  
FUEL FEED PUMP ASS'Y**



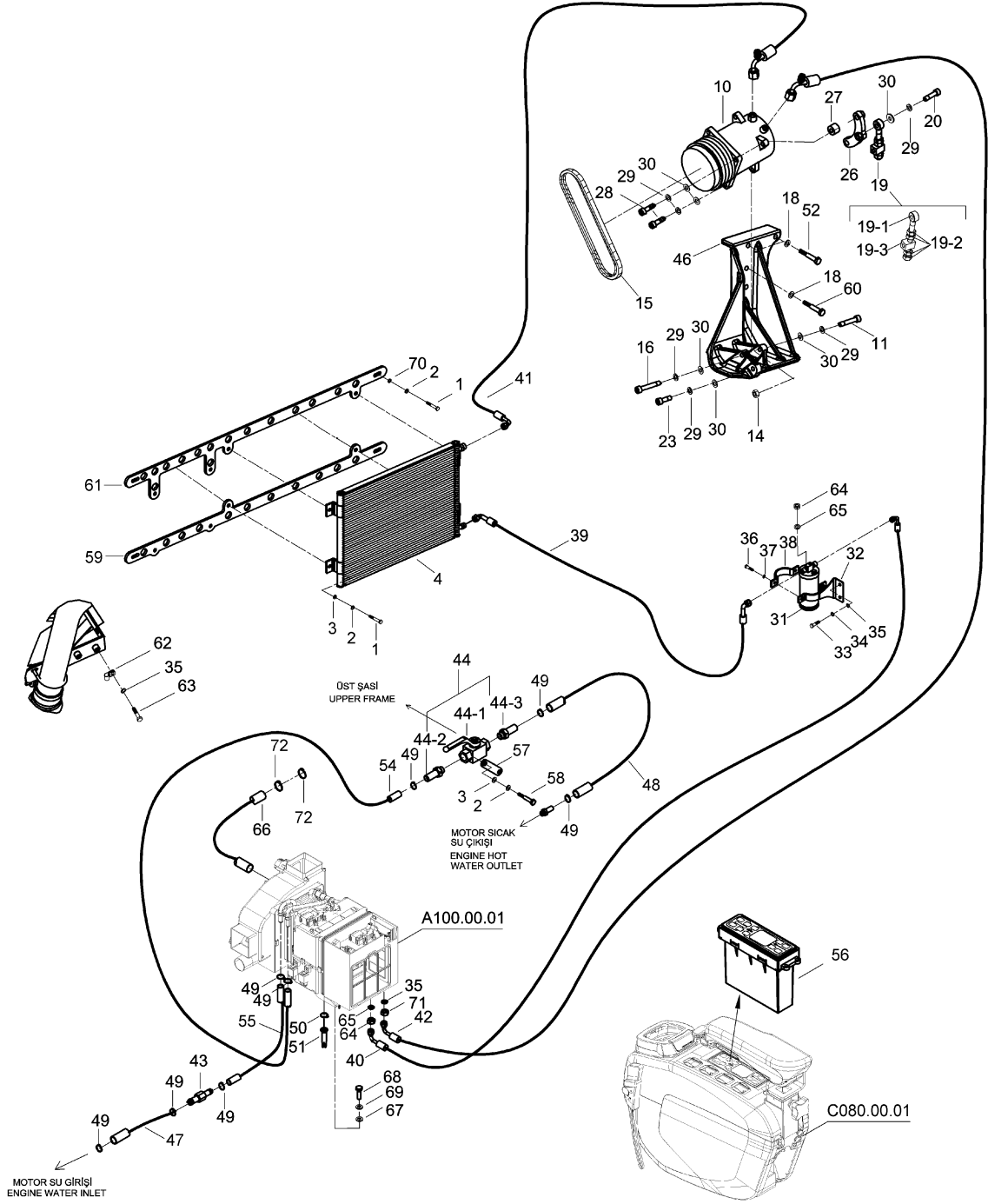
## KLİMA VE KALORİFER MONTAJI AIRCONDITION AND HEATER MOUNTING



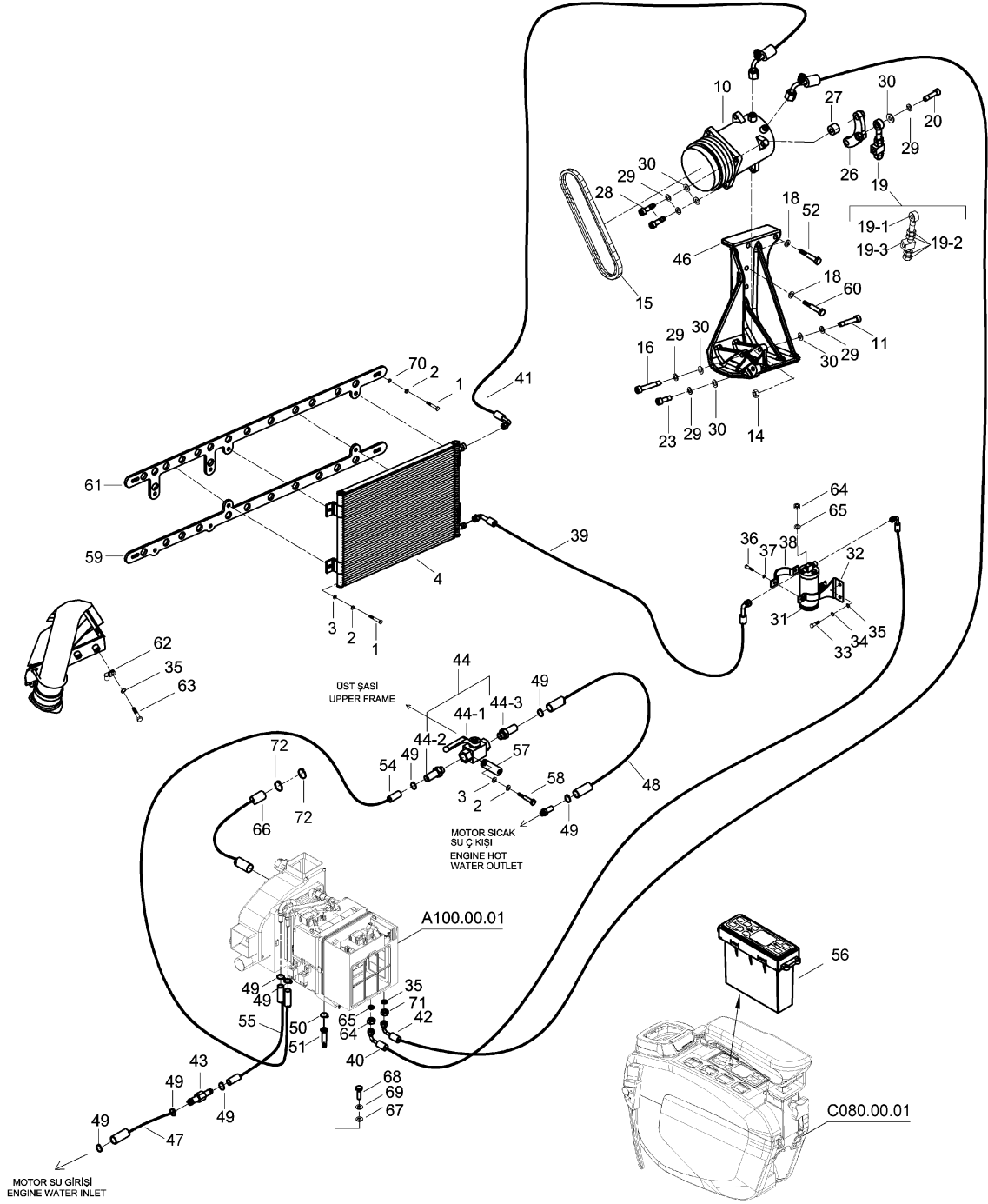
## KLİMA VE KALORİFER MONTAJI AIRCONDITION AND HEATER MOUNTING



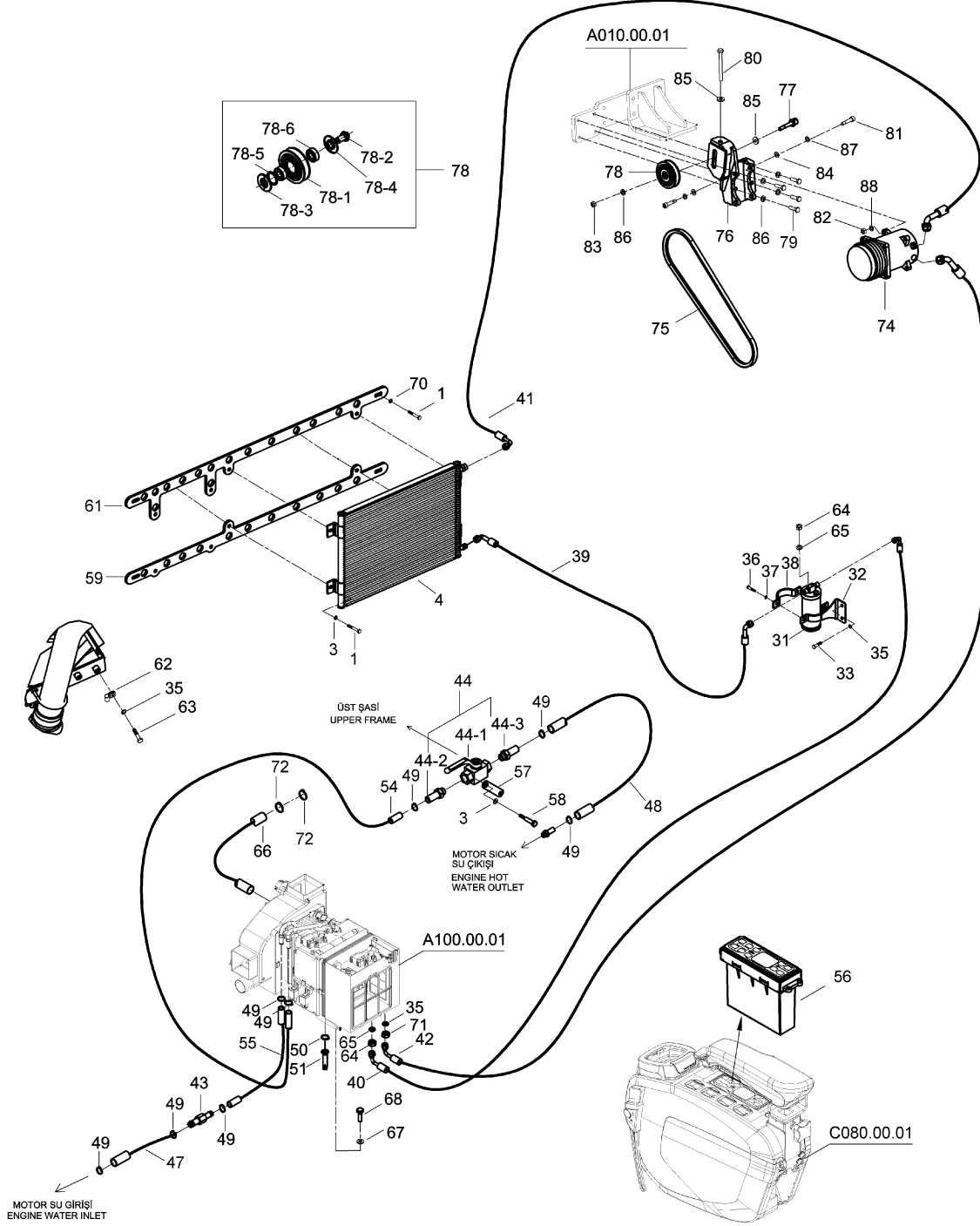
## KLİMA VE KALORİFER MONTAJI AIRCONDITION AND HEATER MOUNTING



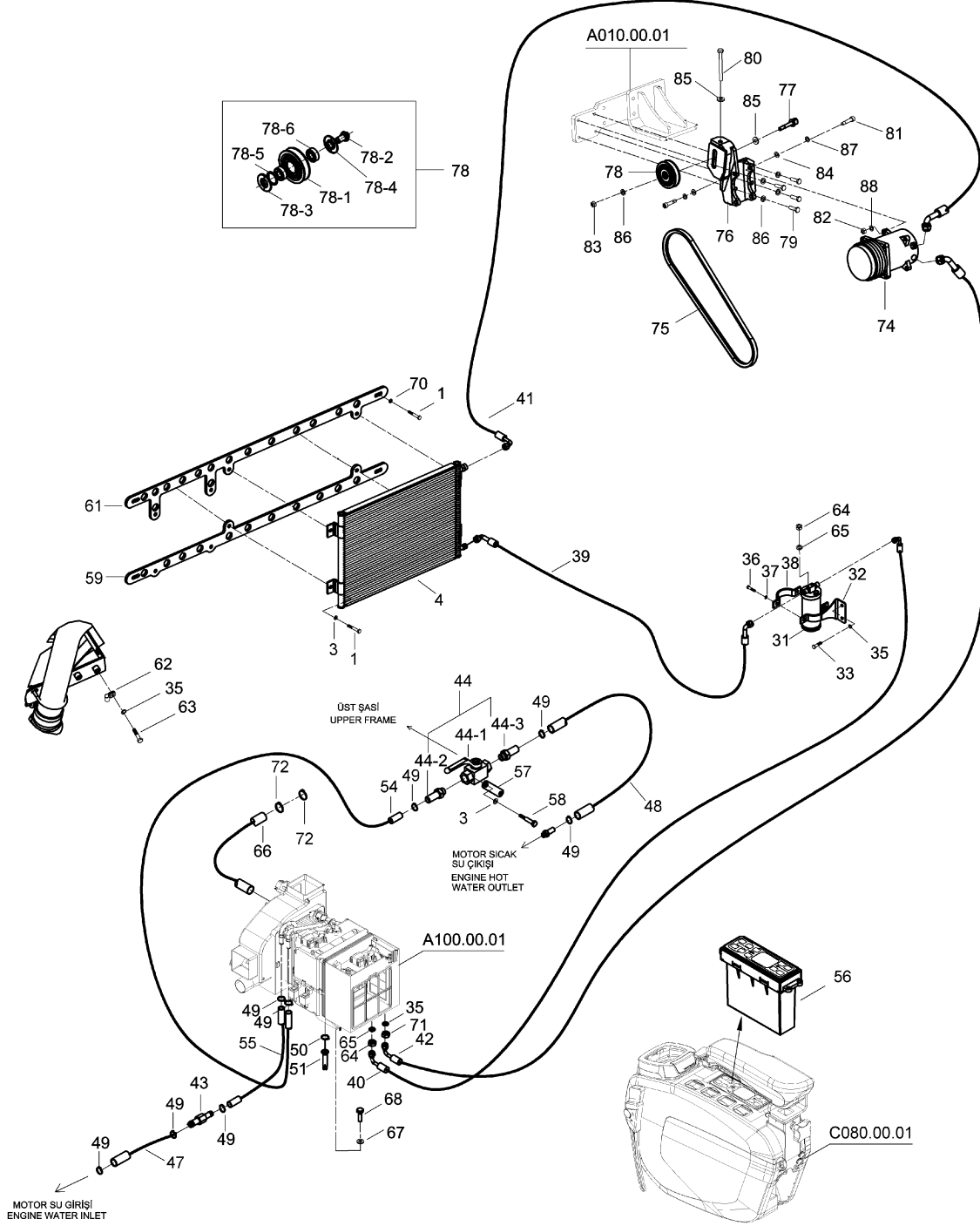
## KLİMA VE KALORİFER MONTAJI AIRCONDITION AND HEATER MOUNTING



## KLİMA VE KALORİFER MONTAJI AIRCONDITION AND HEATER MOUNTING

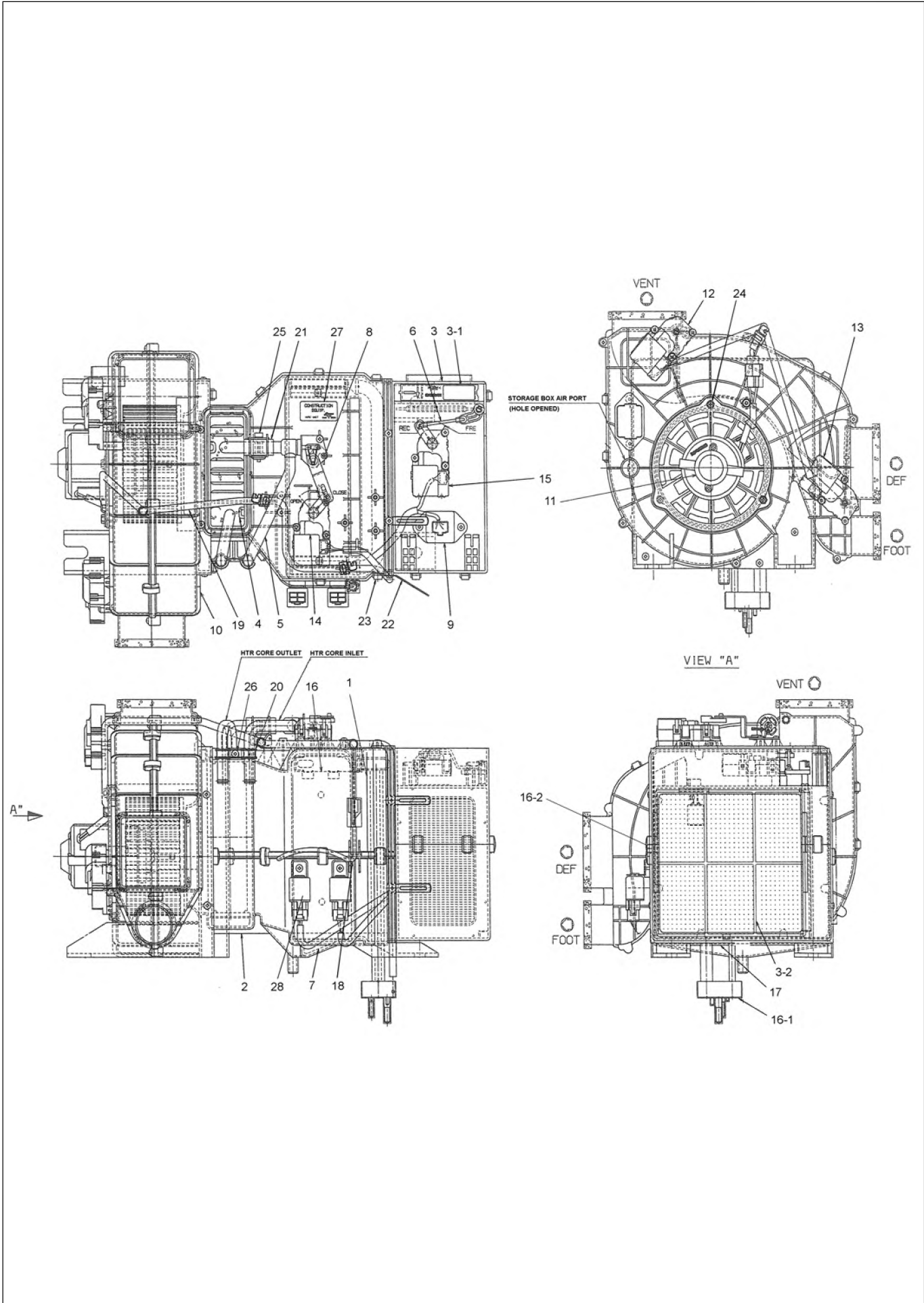


## KLİMA VE KALORİFER MONTAJI AIRCONDITION AND HEATER MOUNTING

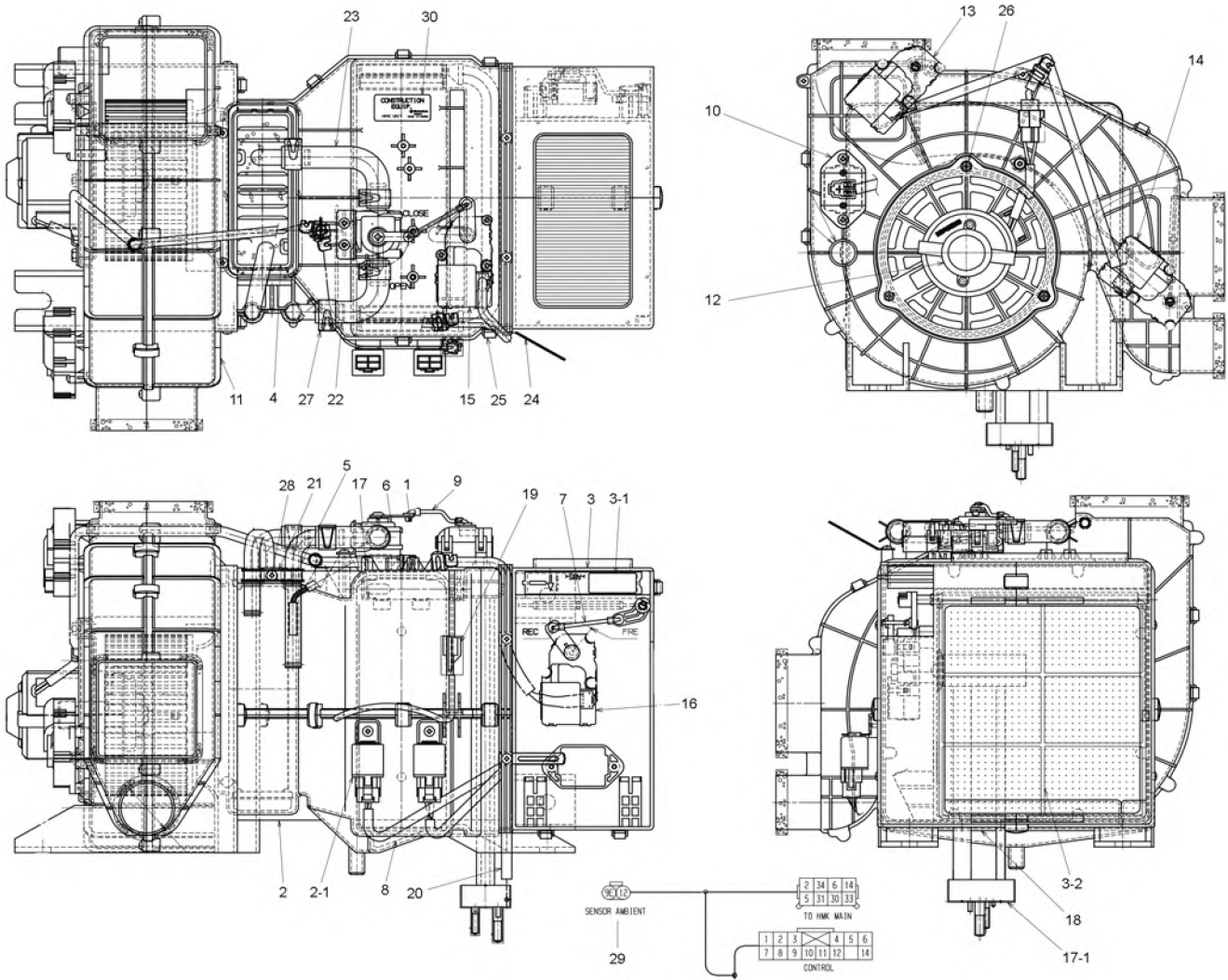




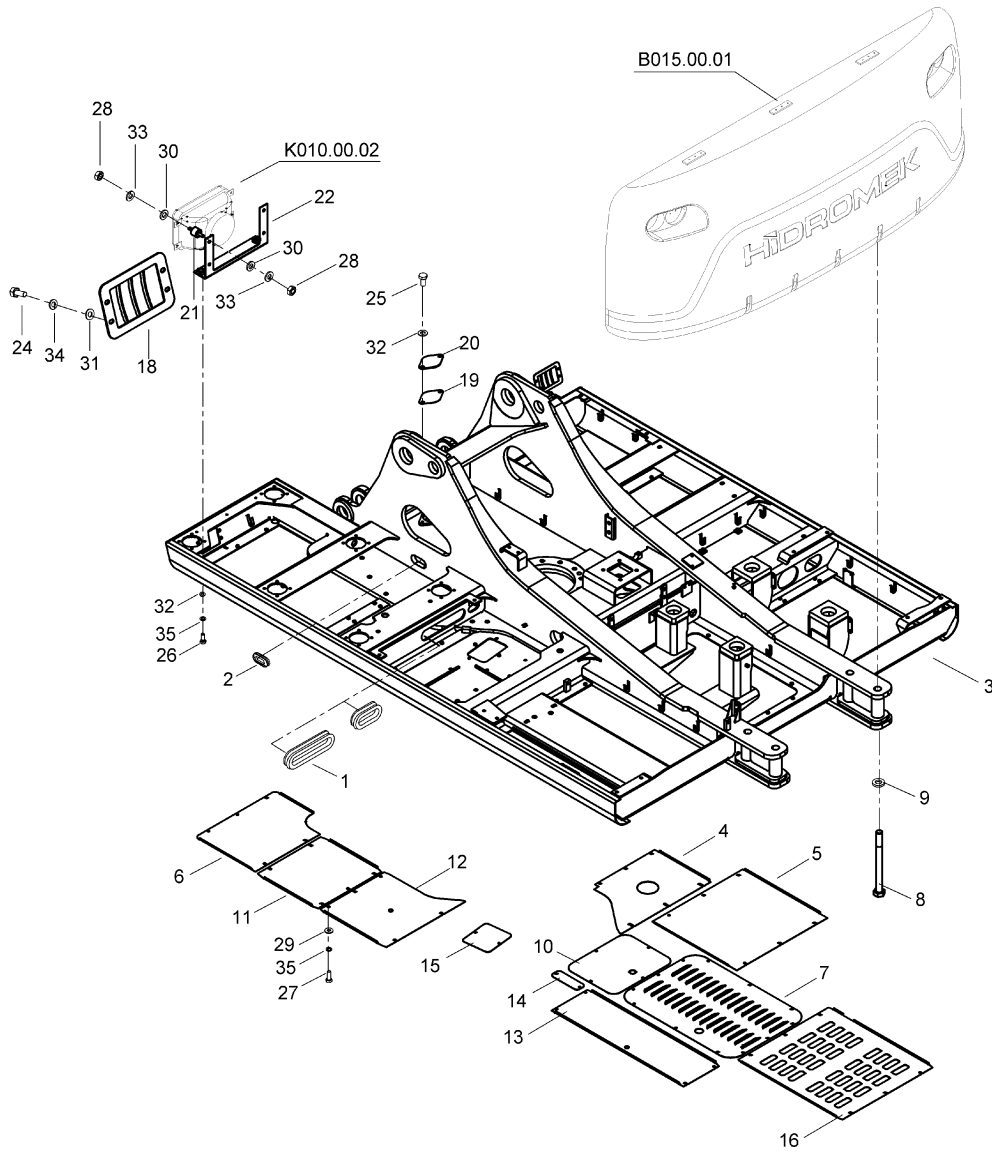
# KLİMA VE KALORİFER ÜNİTESİ AIRCONDITION AND HEATER UNIT



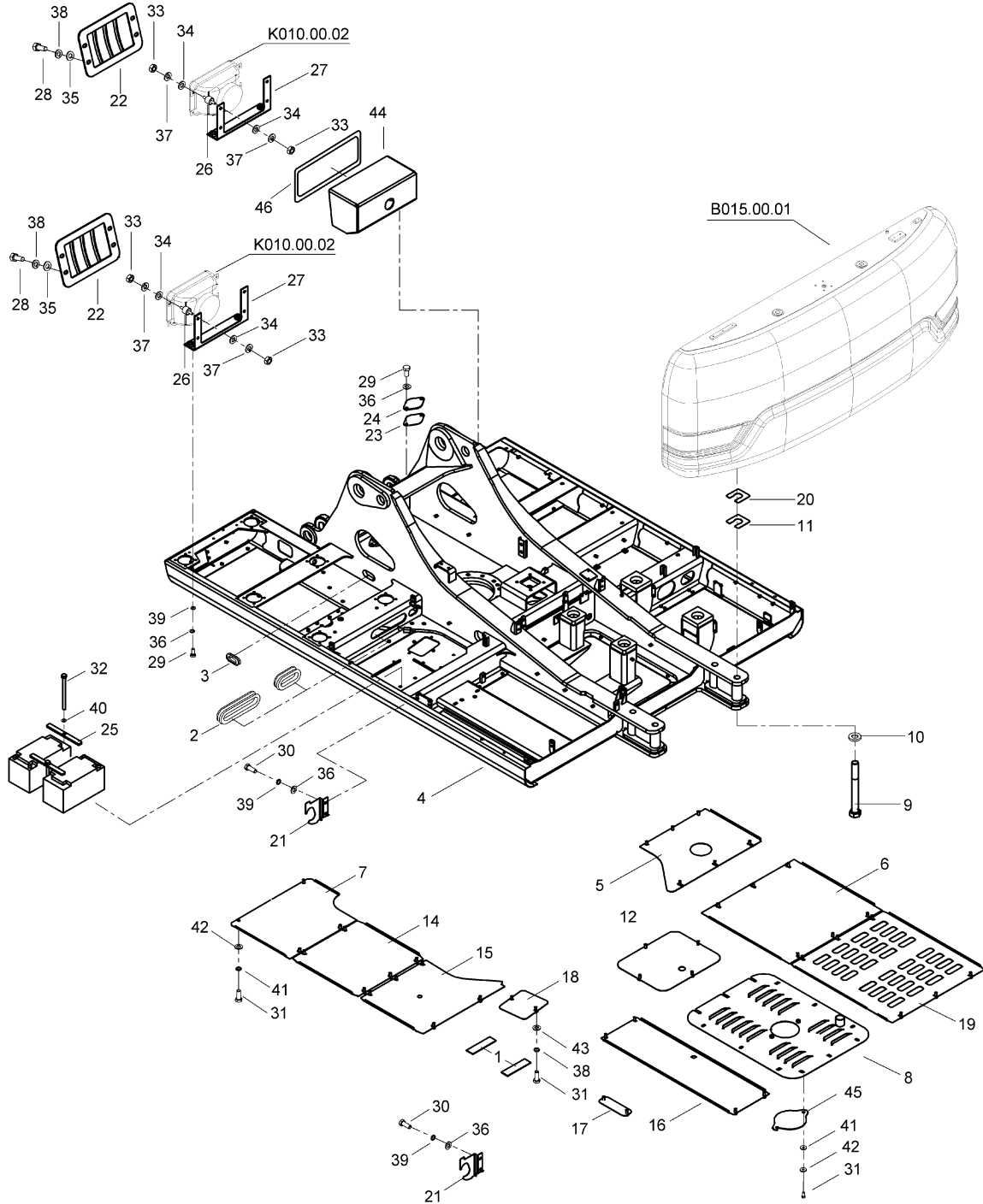
# KLİMA VE KALORİFER ÜNİTESİ AIRCONDITION AND HEATER UNIT



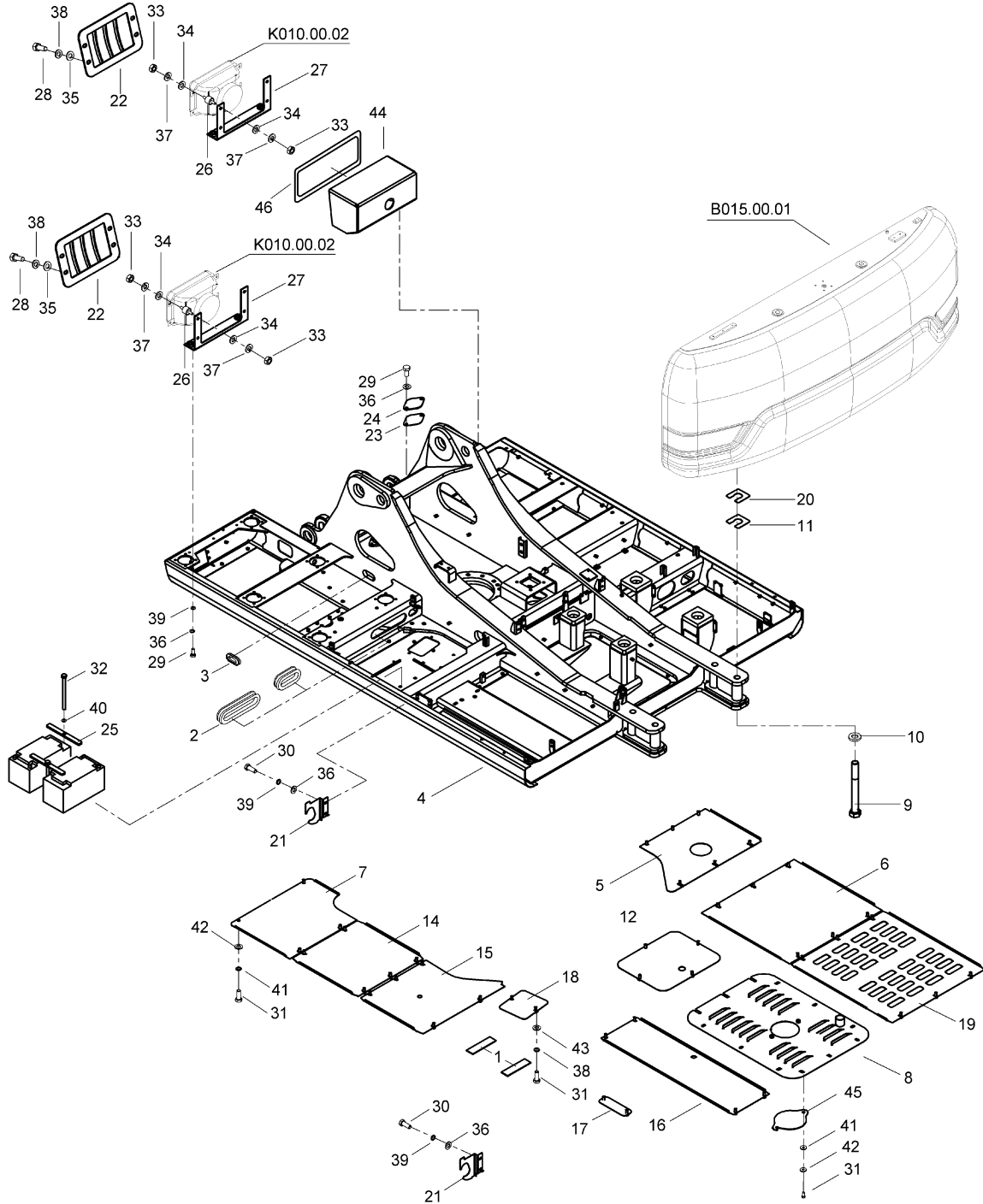
## ÜST ŞAŞI VE ALT KAPAK MONTAJI UPPER FRAME UNDER COVER MOUNTING



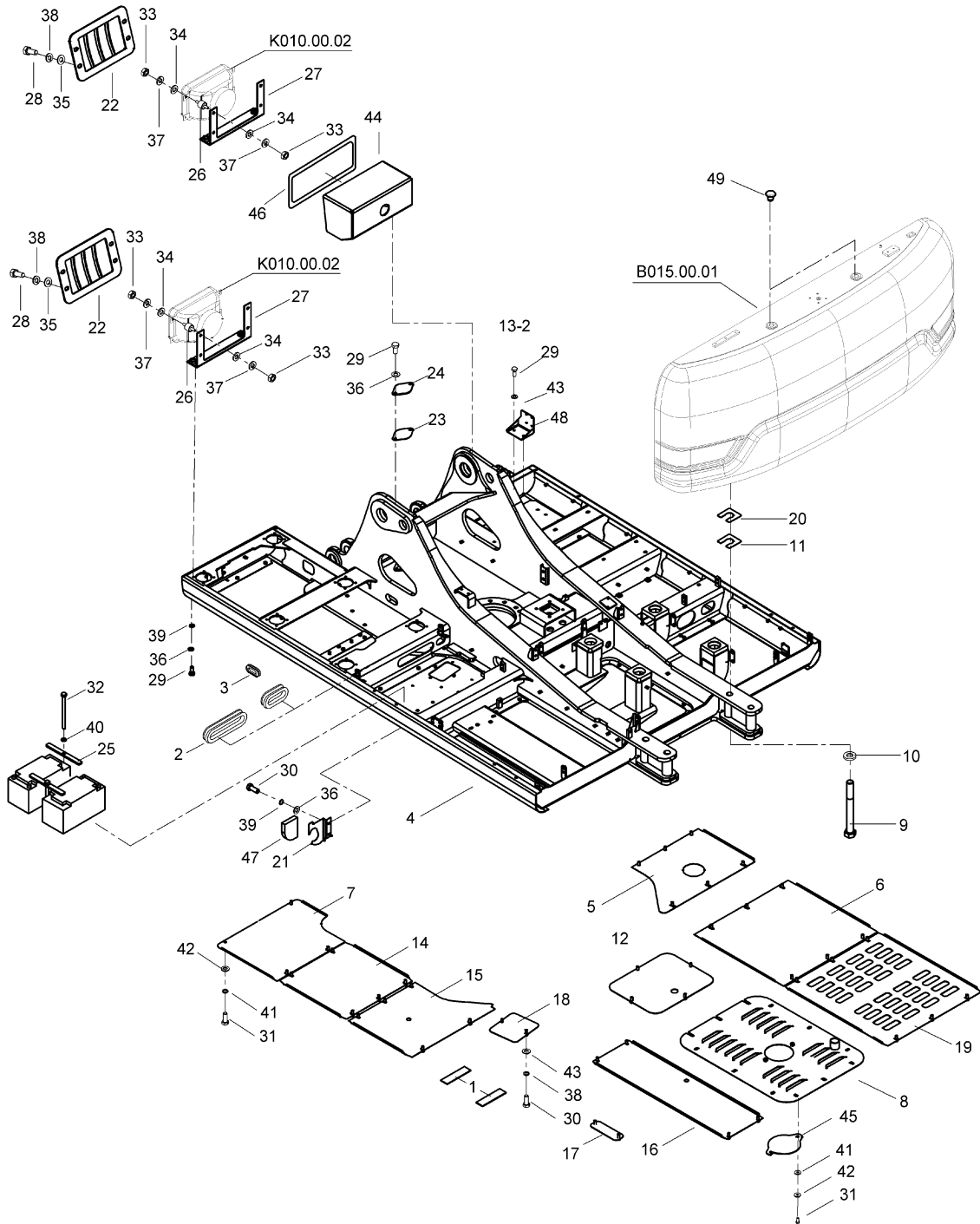
### ÜST ŞAŞI VE ALT KAPAK MONTAJI UPPER FRAME UNDER COVER MOUNTING



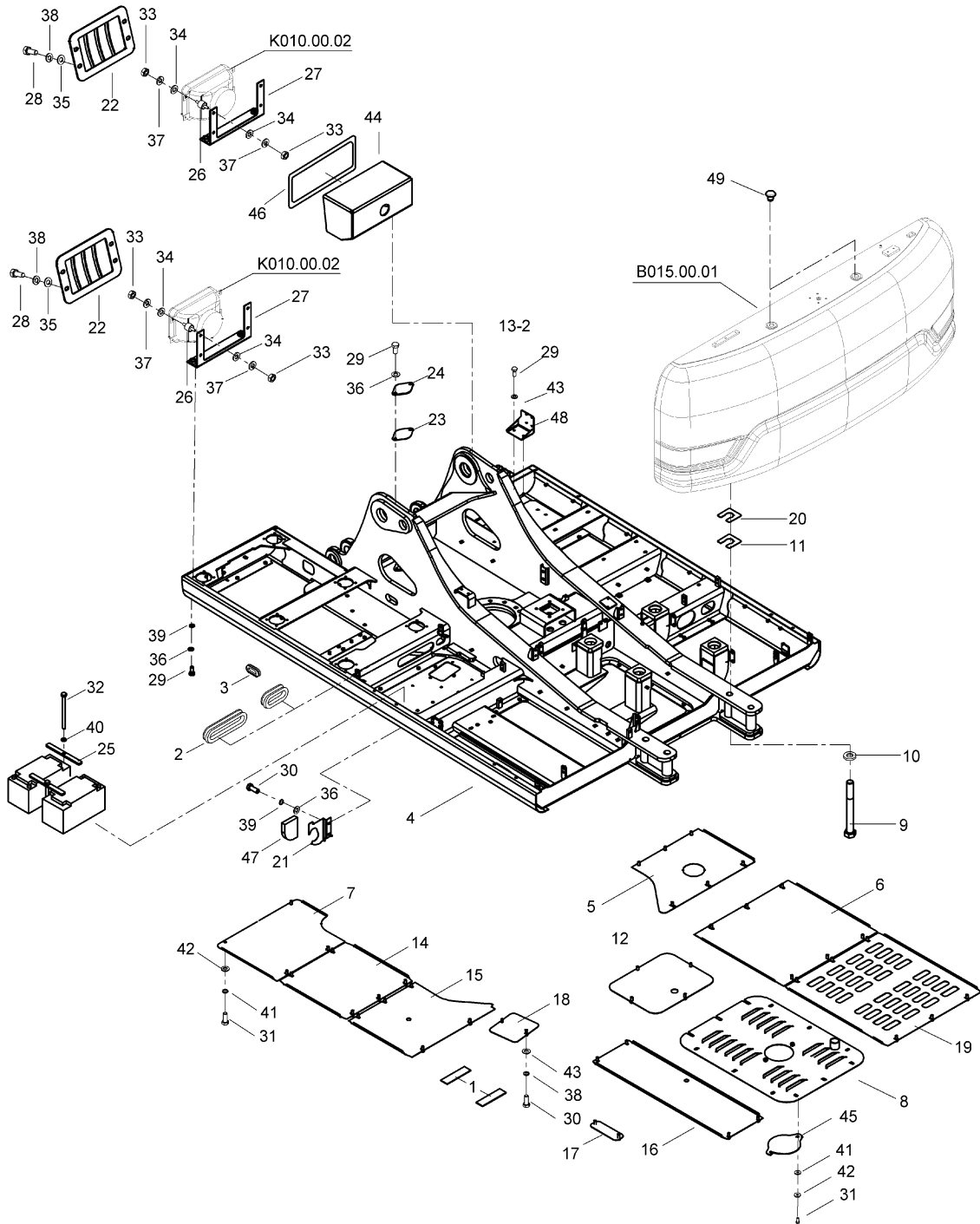
ÜST ŞAŞI VE ALT KAPAK MONTAJI  
UPPER FRAME UNDER COVER MOUNTING



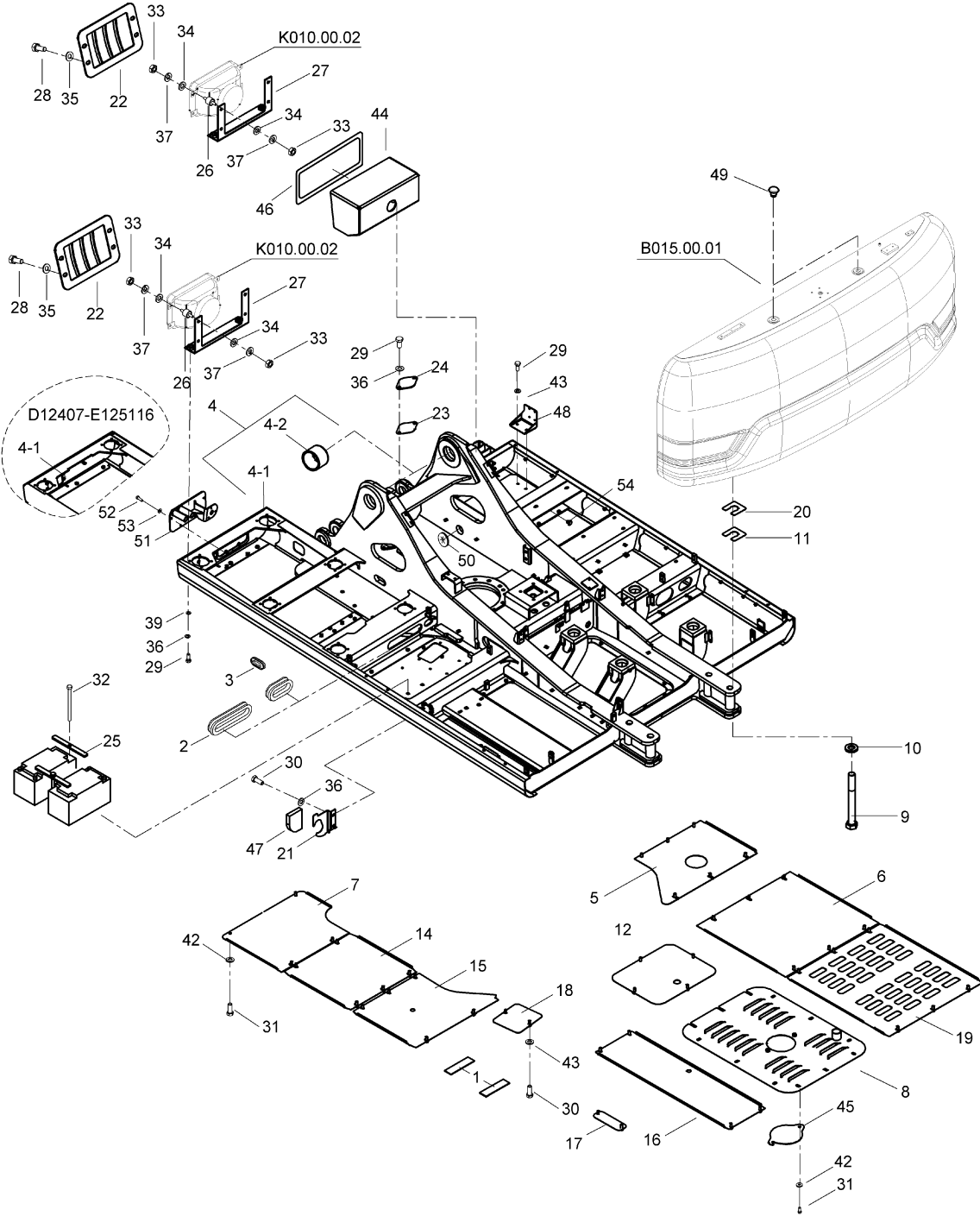
ÜST ŞAŞI VE ALT KAPAK MONTAJI  
UPPER FRAME UNDER COVER MOUNTING



### ÜST ŞAŞI VE ALT KAPAK MONTAJI UPPER FRAME UNDER COVER MOUNTING

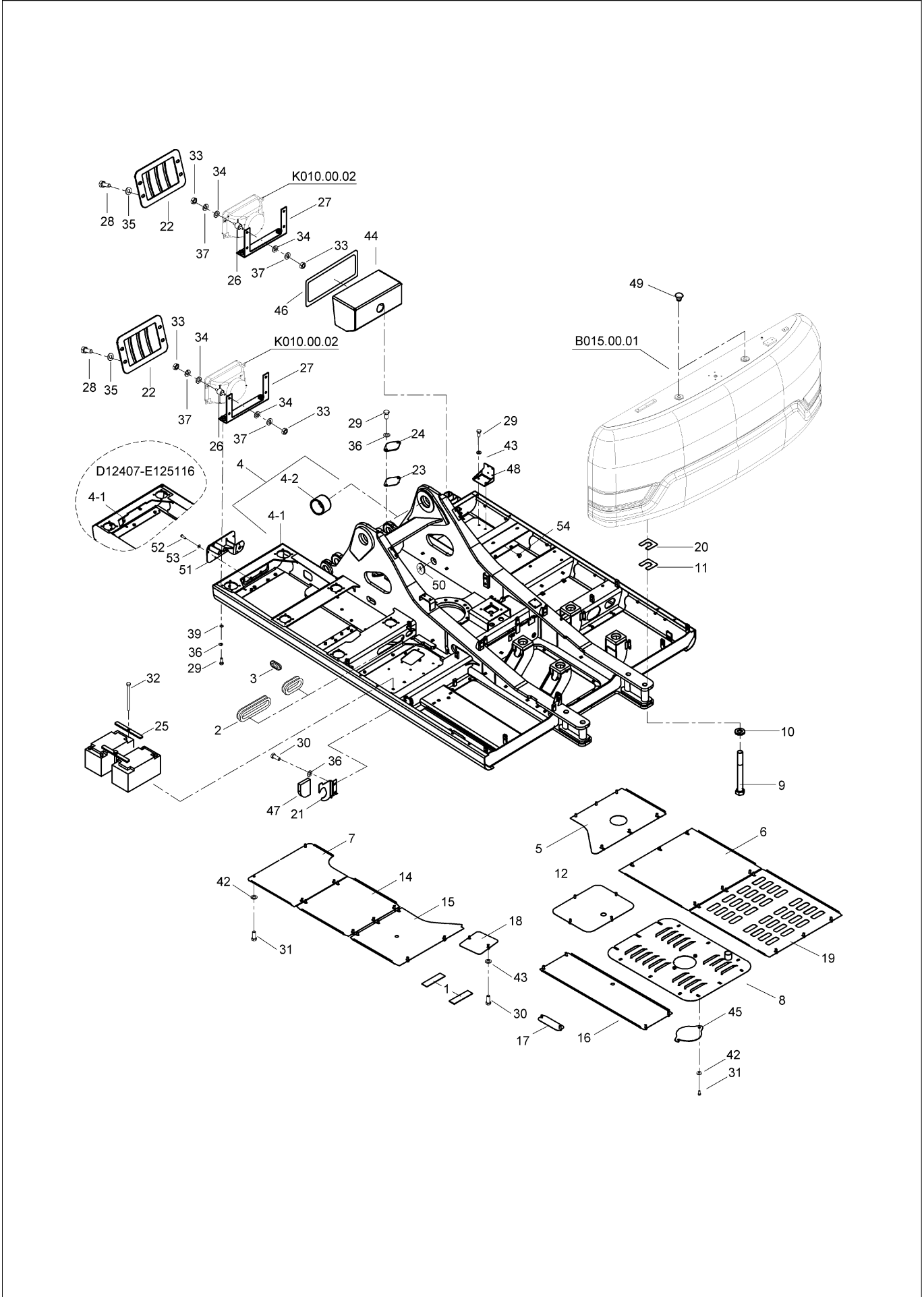


### ÜST ŞAŞI VE ALT KAPAK MONTAJI UPPER FRAME UNDER COVER MOUNTING

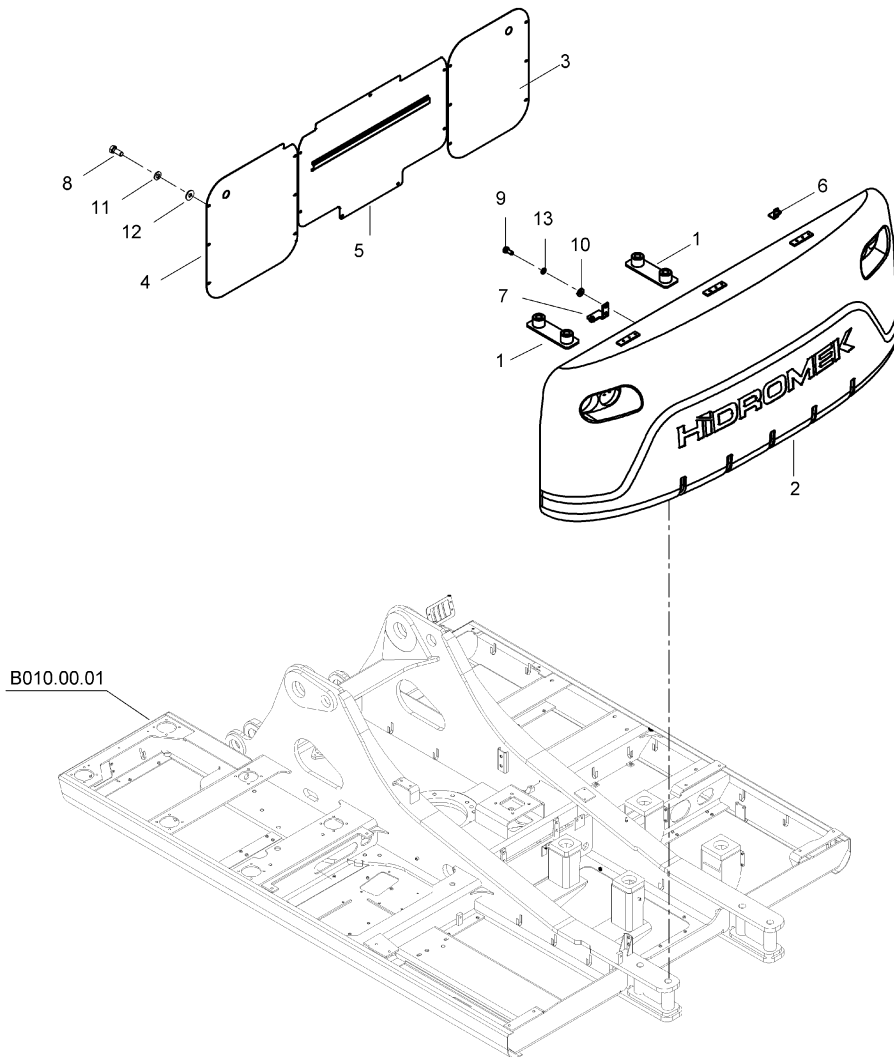




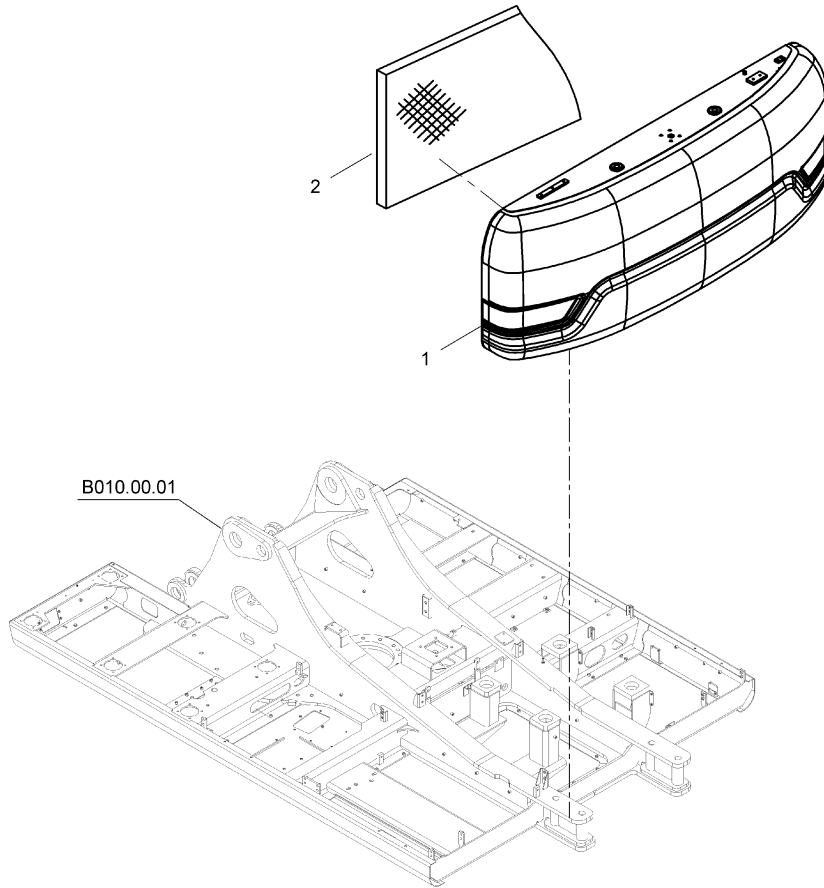
### ÜST ŞAŞI VE ALT KAPAK MONTAJI UPPER FRAME UNDER COVER MOUNTING



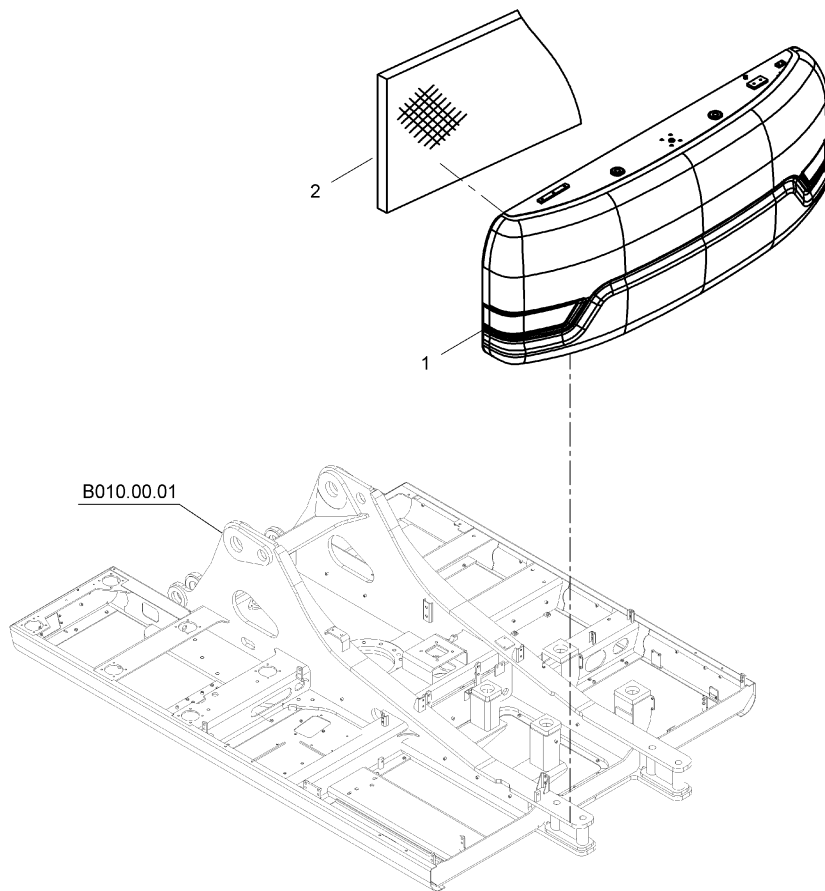
### ARKA AĞIRLIK MONTAJI COUNTER WEIGHT MOUNTING



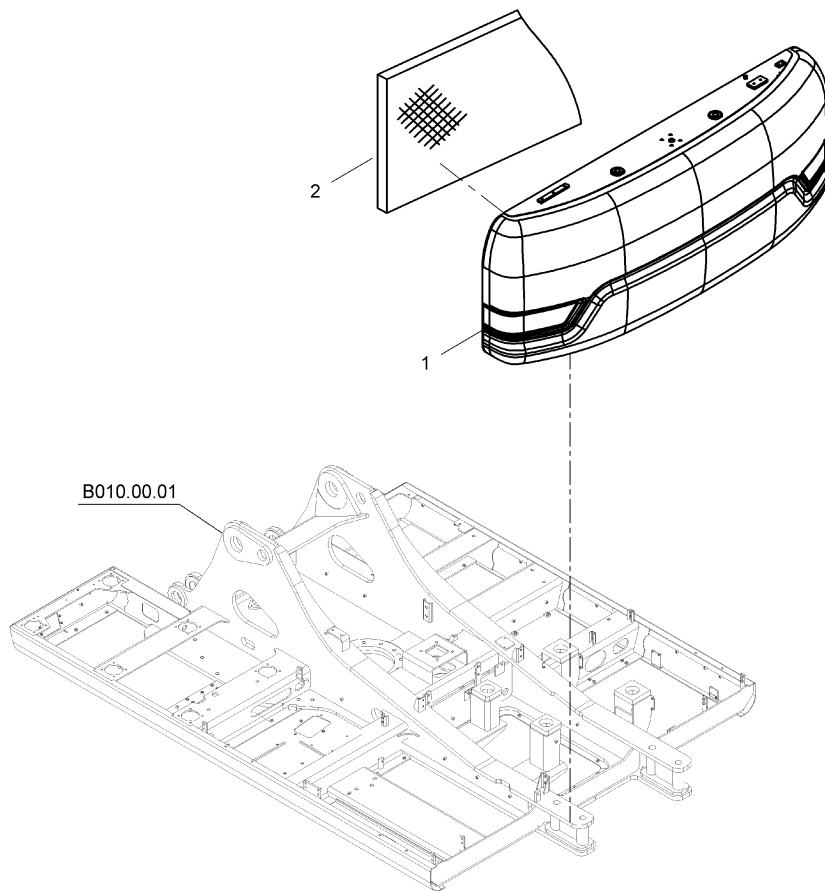
## ARKA AĞIRLIK MONTAJI COUNTER WEIGHT MOUNTING



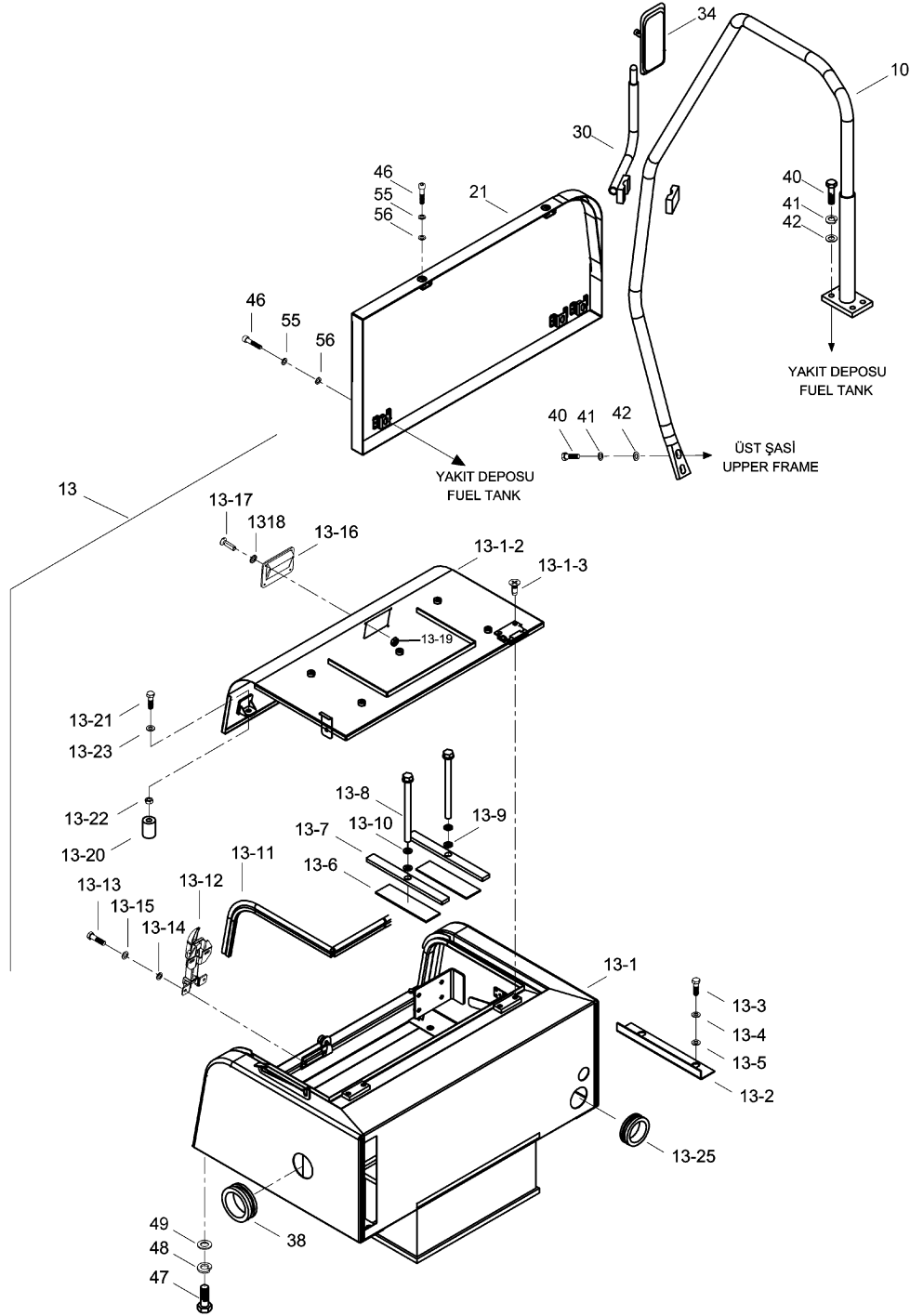
ARKA AĞIRLIK MONTAJI (LR)  
COUNTERWEIGHT MOUNTING (LR)



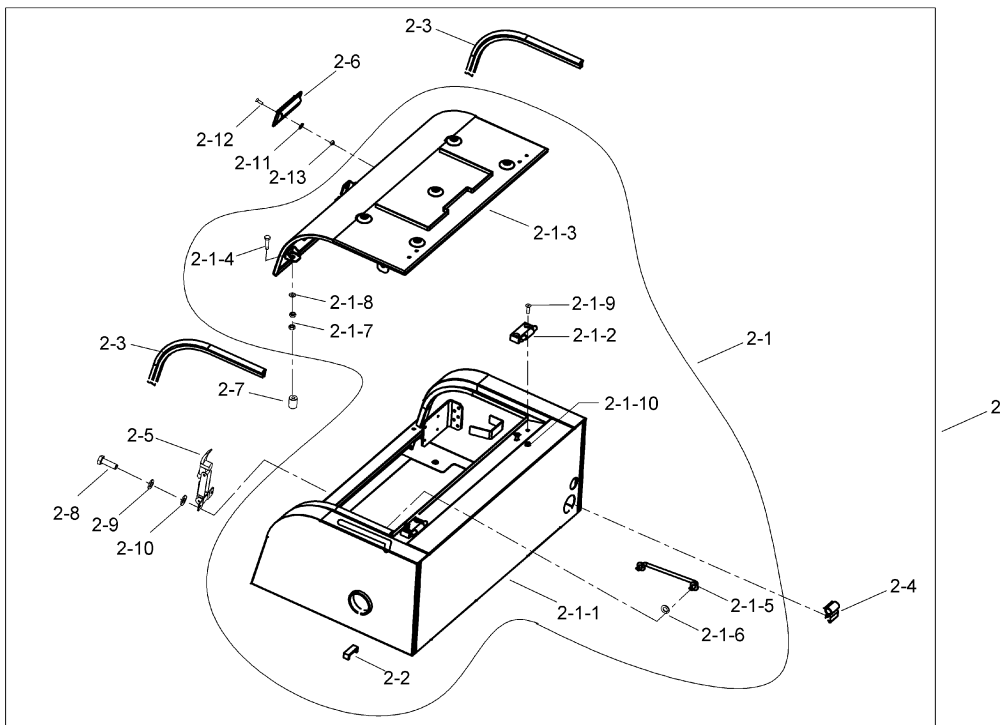
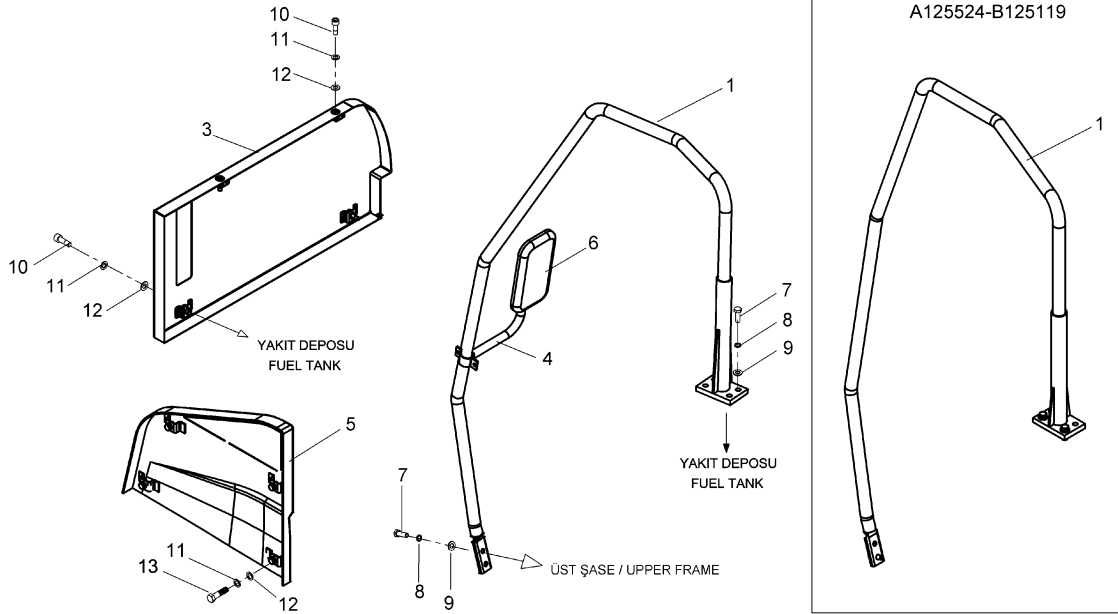
ARKA AĞIRLIK MONTAJI (OP)  
COUNTERWEIGHT MOUNTING (OP)



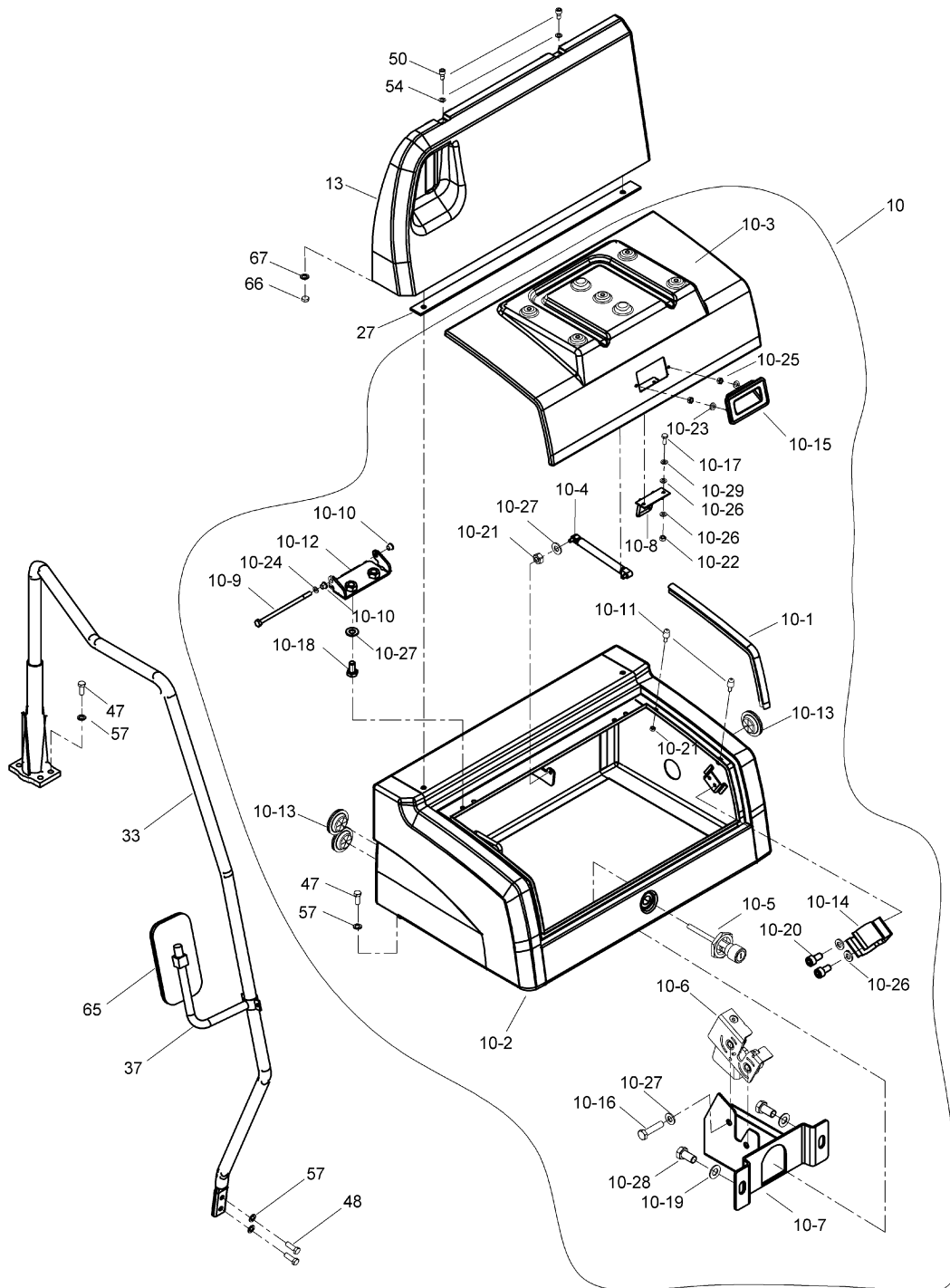
## TAKIM SANDIĞI MONTAJI TOOL BOX MOUNTING



## TAKIM SANDIĞI MONTAJI TOOL BOX MOUNTING

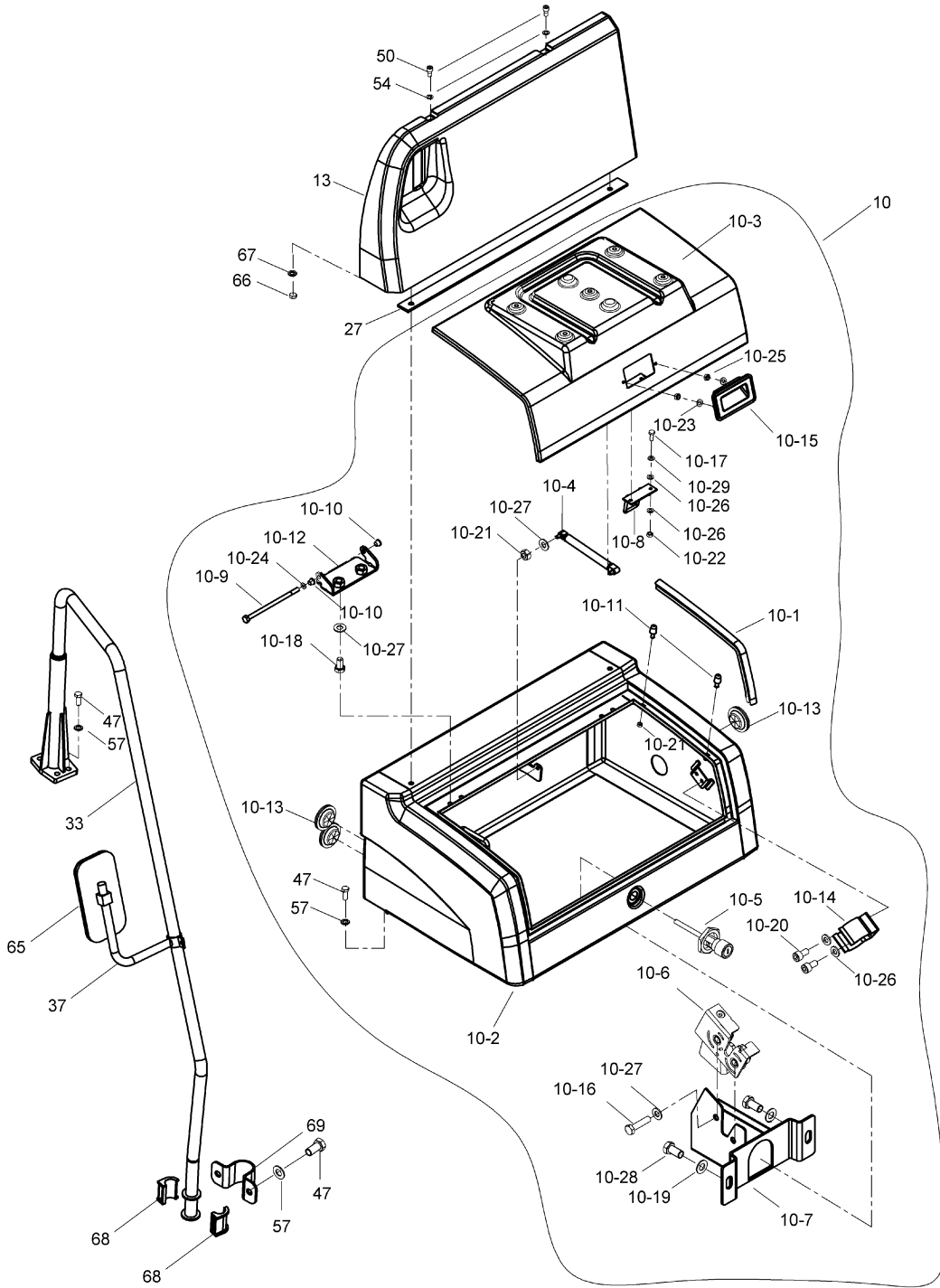


**TAKIM SANDIĞI MONTAJI  
TOOL BOX MOUNTING**

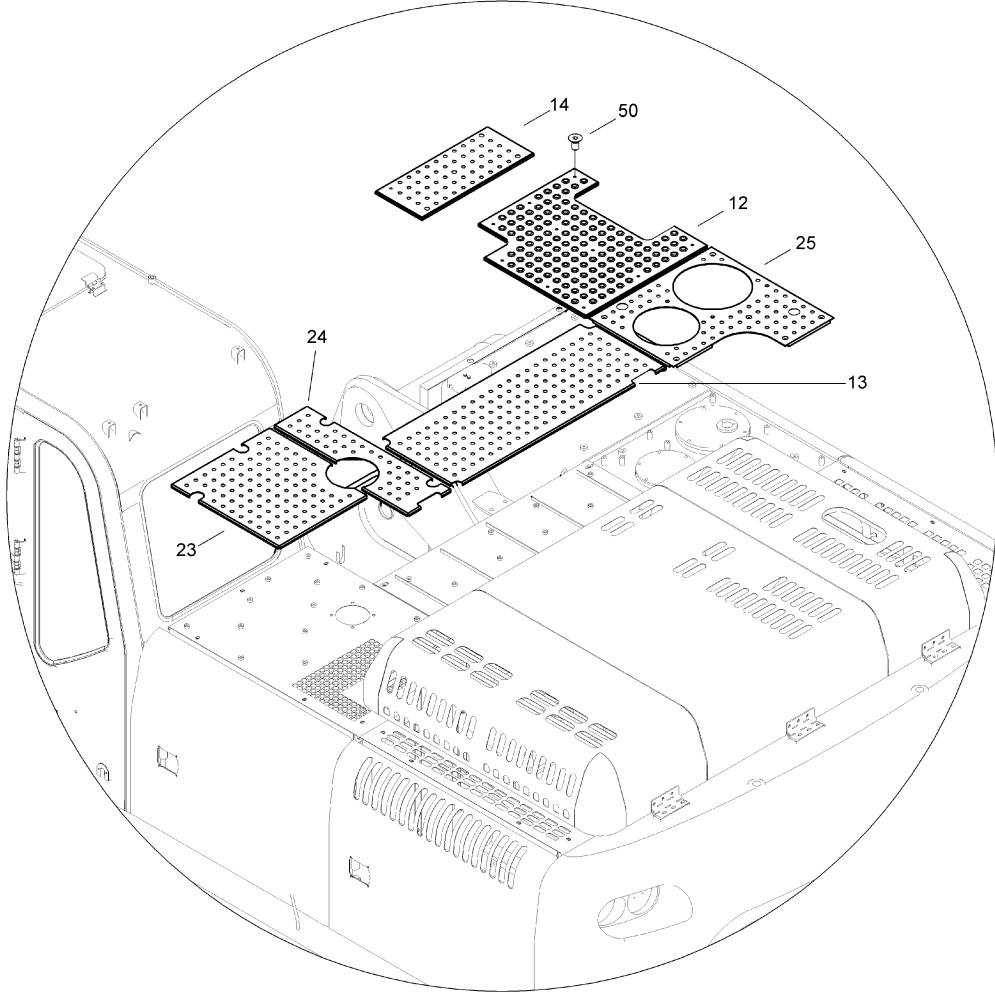




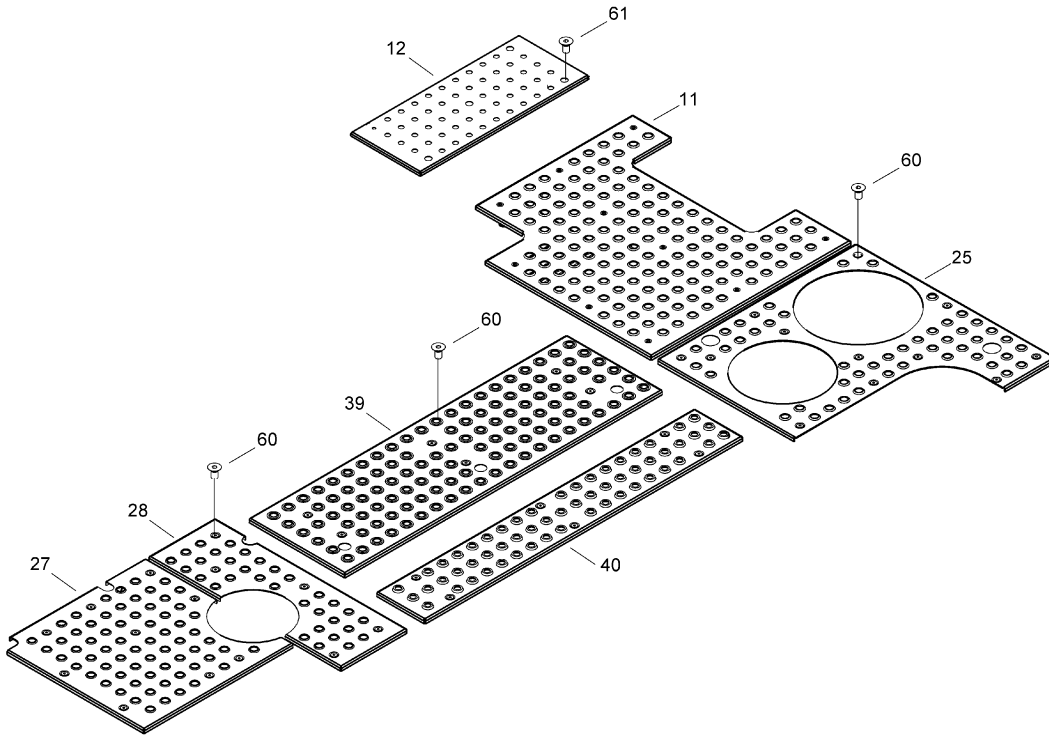
### TAKIM SANDIĞI MONTAJI TOOL BOX MOUNTING



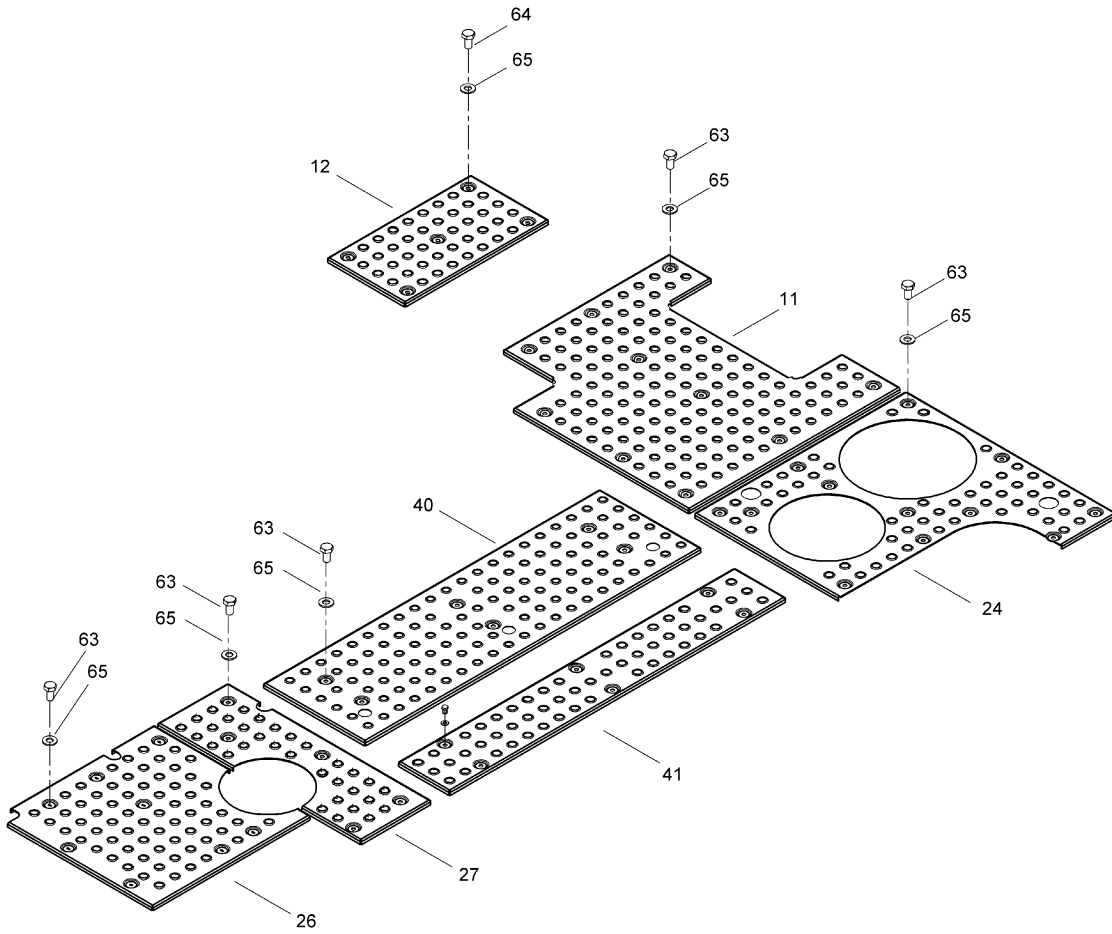
## YÜRÜME SAÇLARI ANTI-SLIP WALKWAY



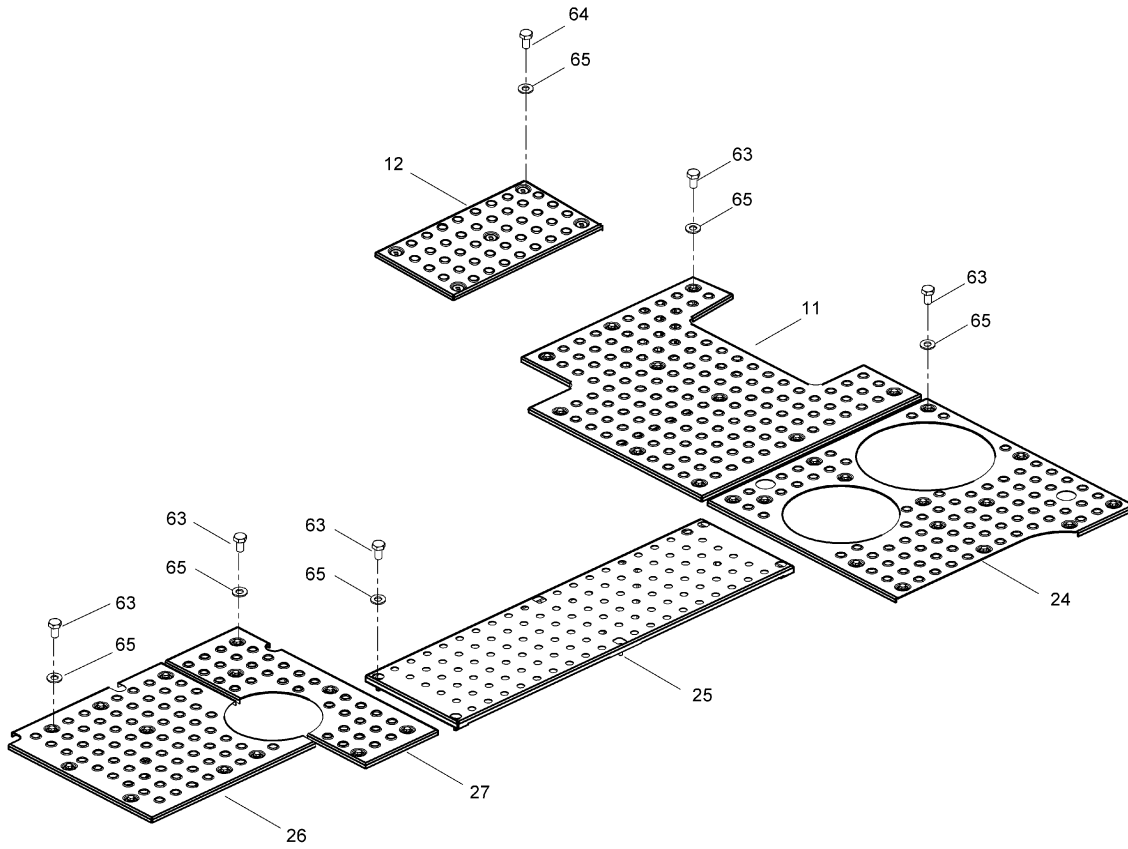
# YÜRÜME SACLARI ANTI-SLIP WALKWAY



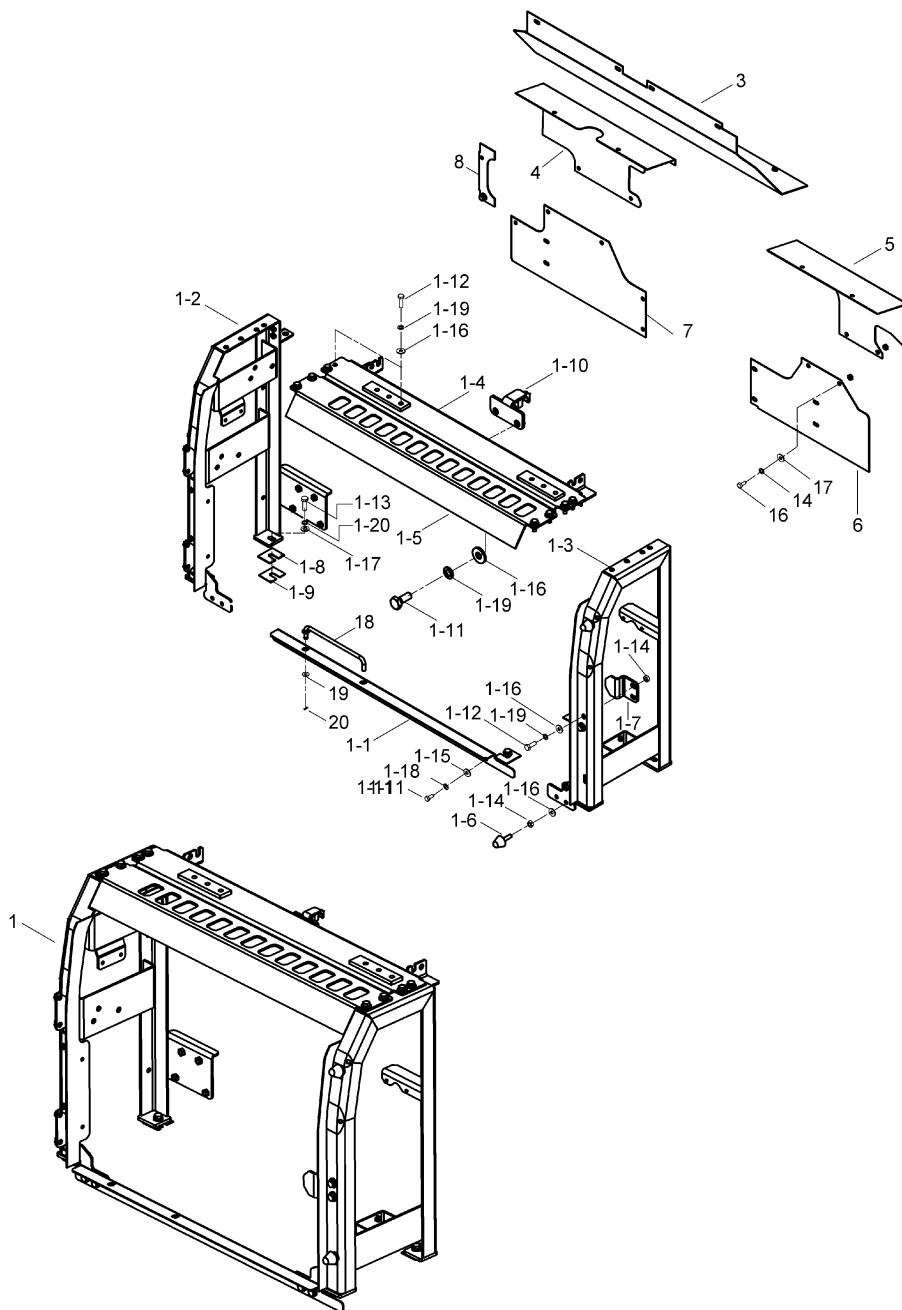
# YÜRÜME SAÇLARI ANTI-SLIP WALKWAY



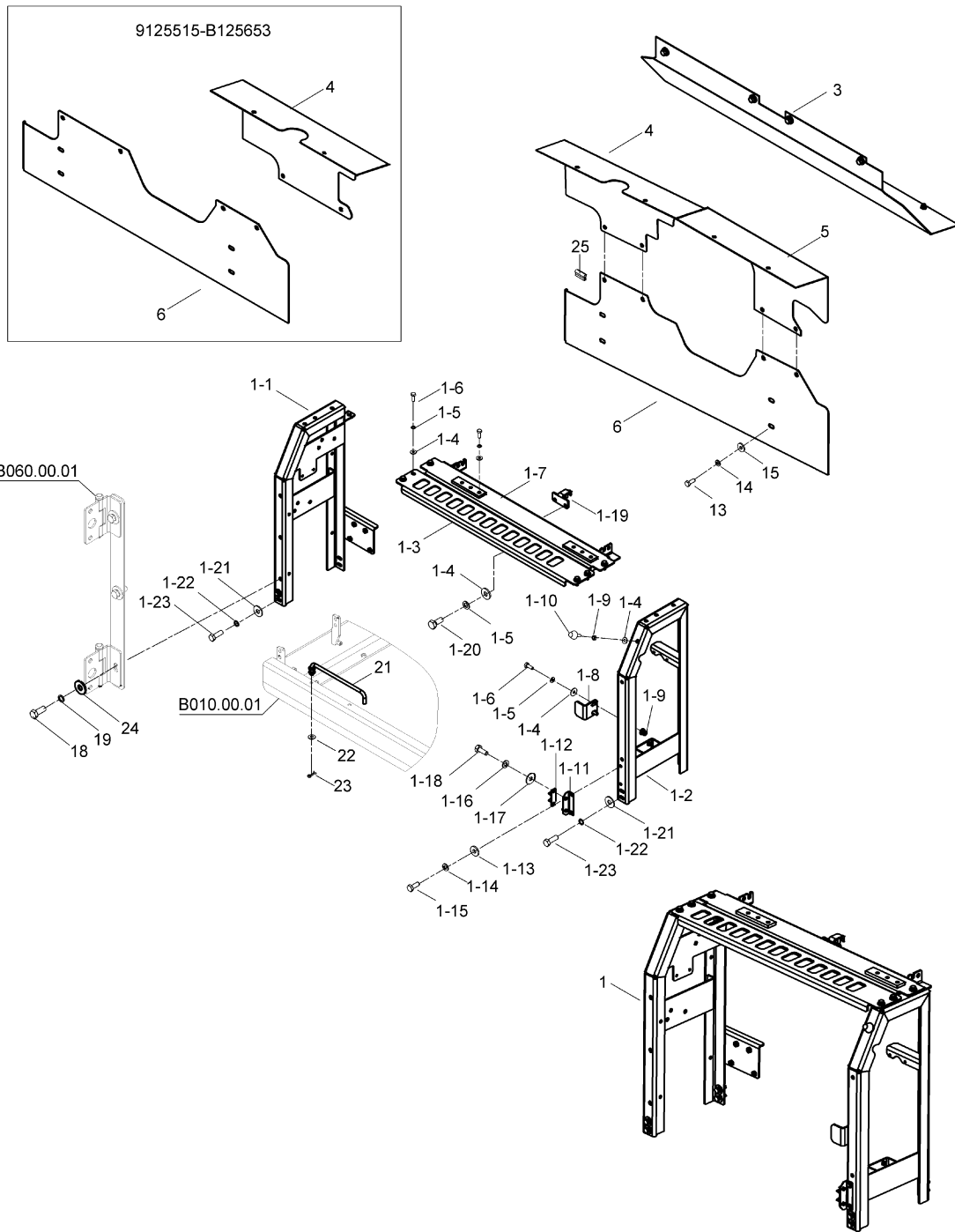
## YÜRÜME SAÇLARI ANTI-SLIP WALKWAY



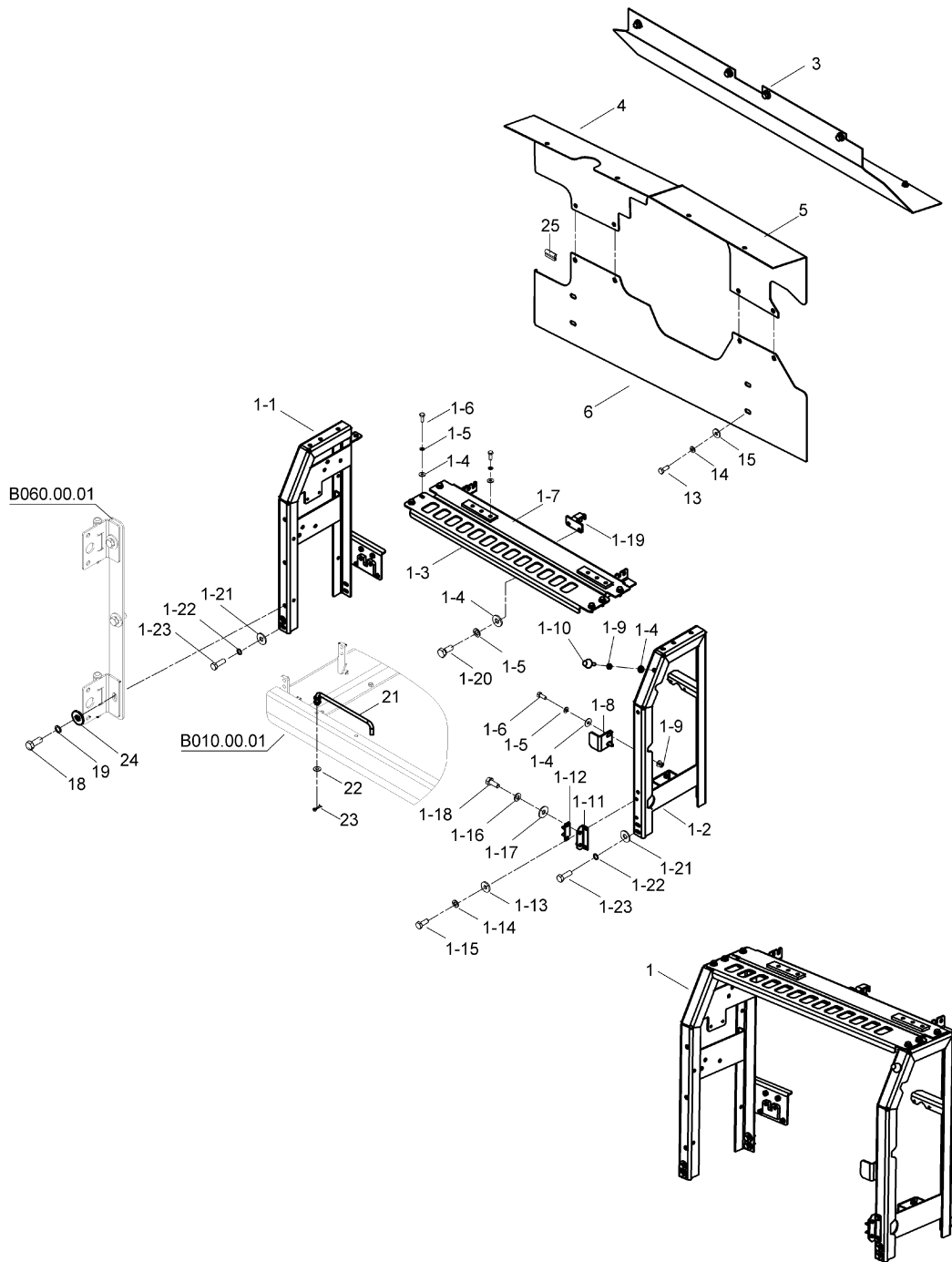
KAPORTA MONTAJI, SAĞ  
COWLING ASS'Y, RH



### KAPORTA MONTAJI, SAĞ COWLING ASS'Y, RH

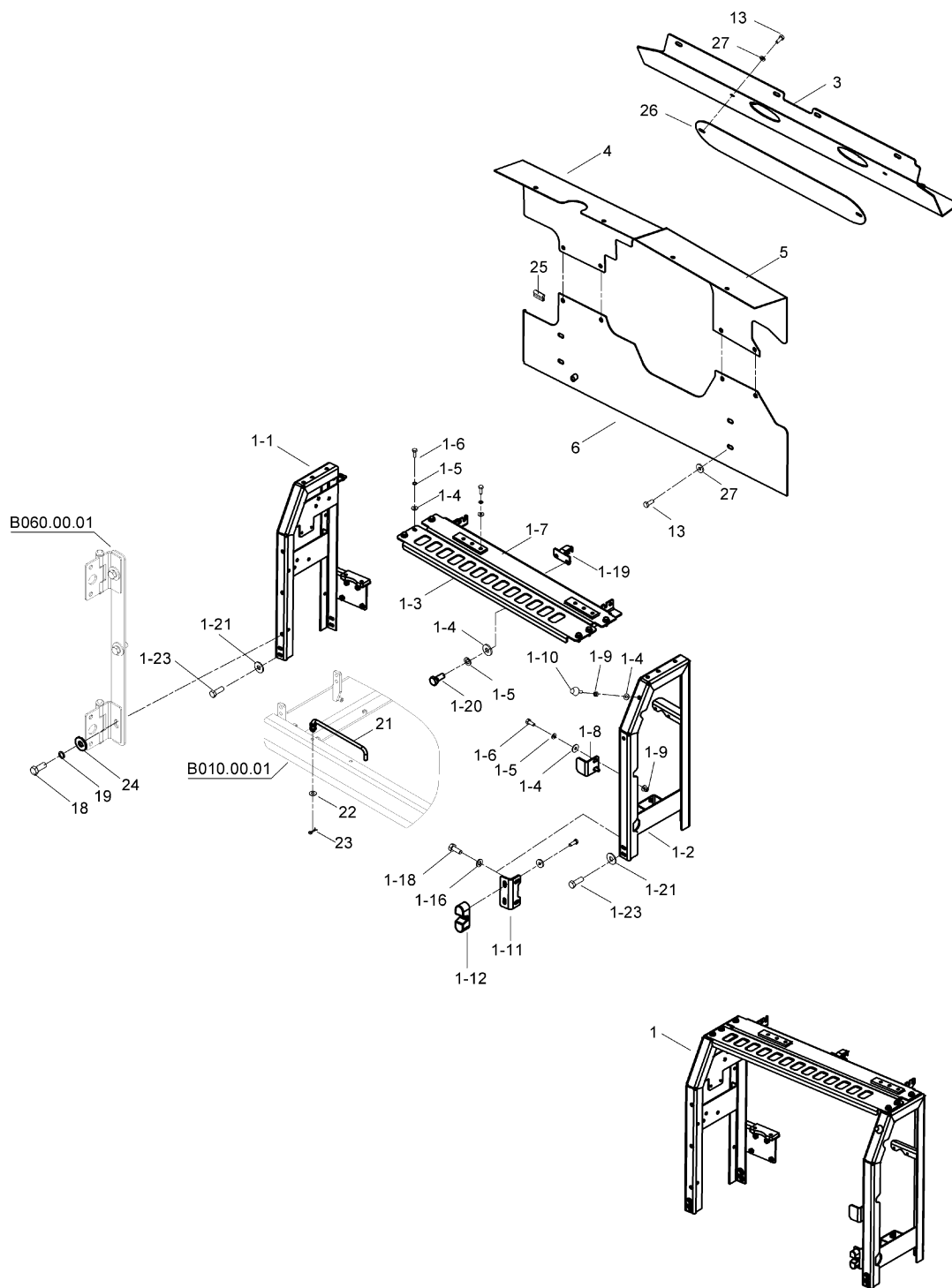


### KAPORTA MONTAJI, SAĞ COWLING ASS'Y, RH

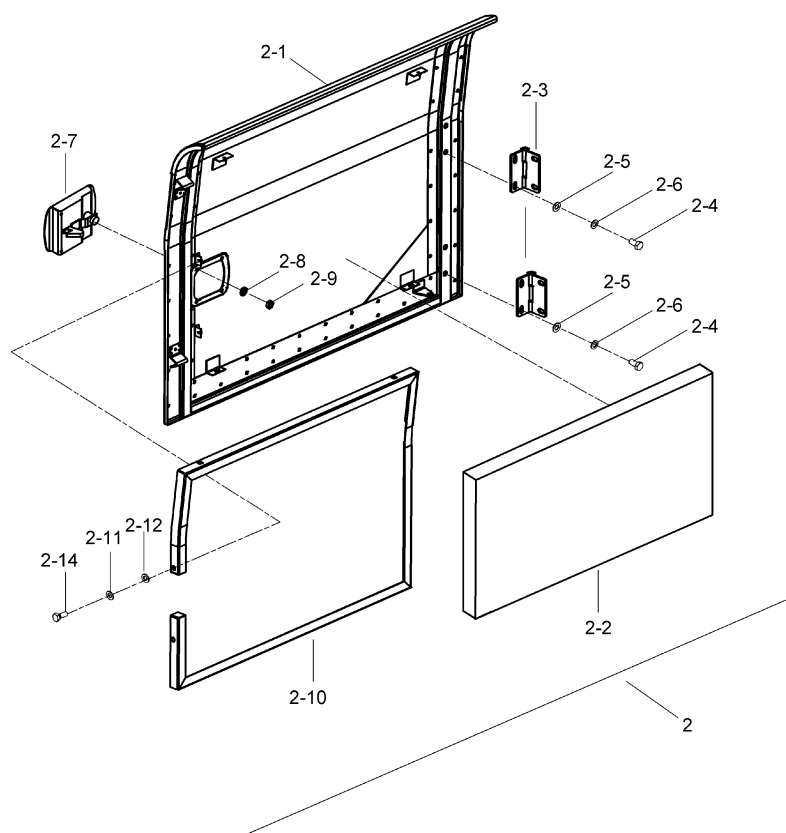


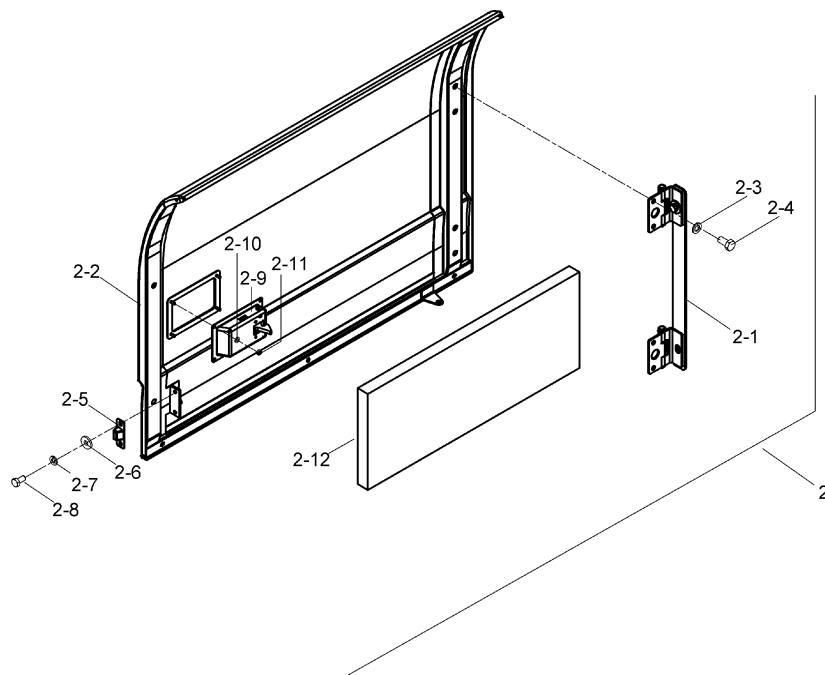


KAPORTA MONTAJI, SAĞ  
COWLING ASS'Y, RH

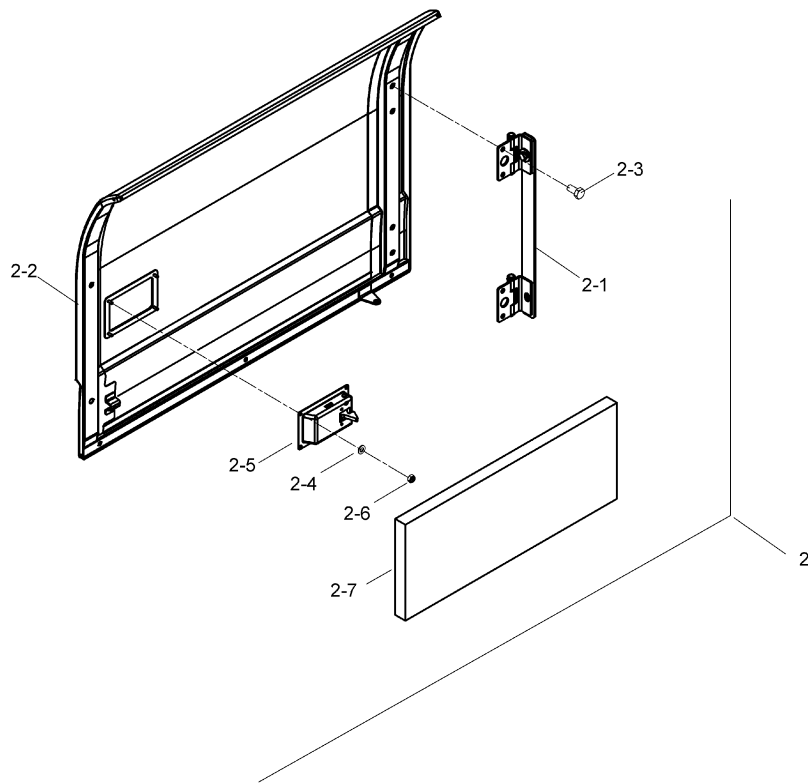


# KAPI MONTAJI, SAĞ DOOR MOUNTING, RH

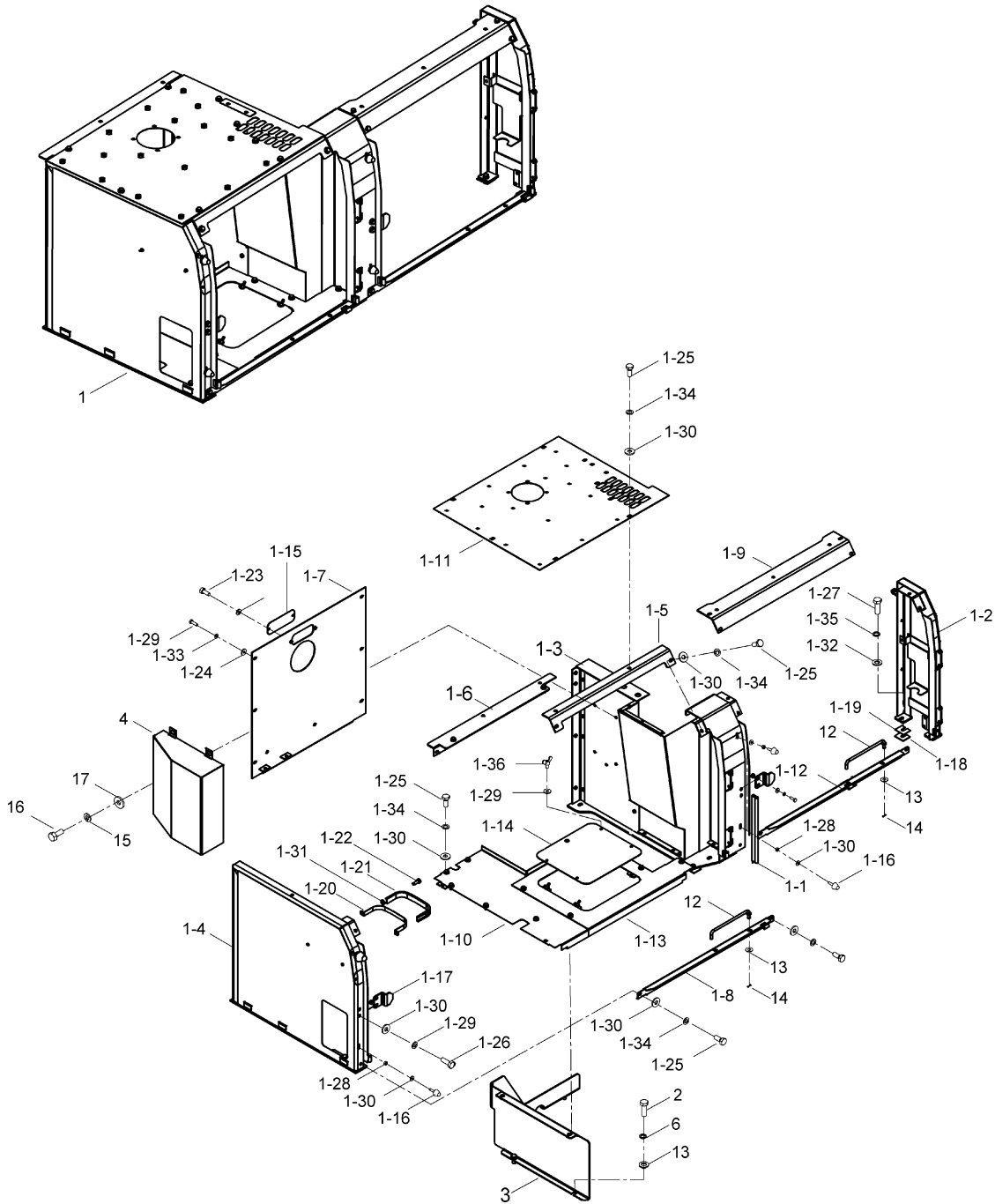


**KAPI MONTAJI, SAĞ**  
**DOOR MOUNTING, RH**

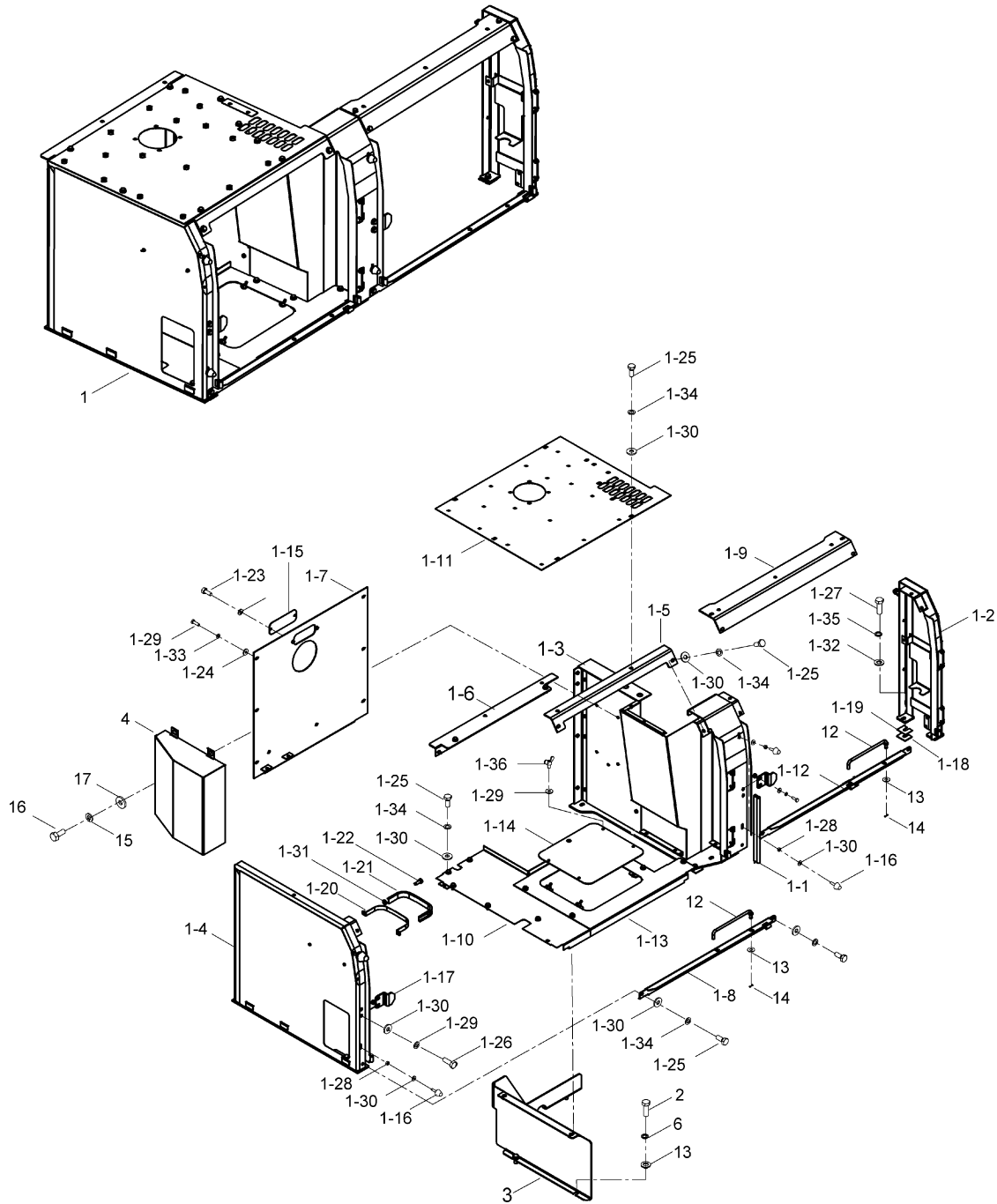
KAPI MONTAJI, SAĞ  
DOOR MOUNTING, RH



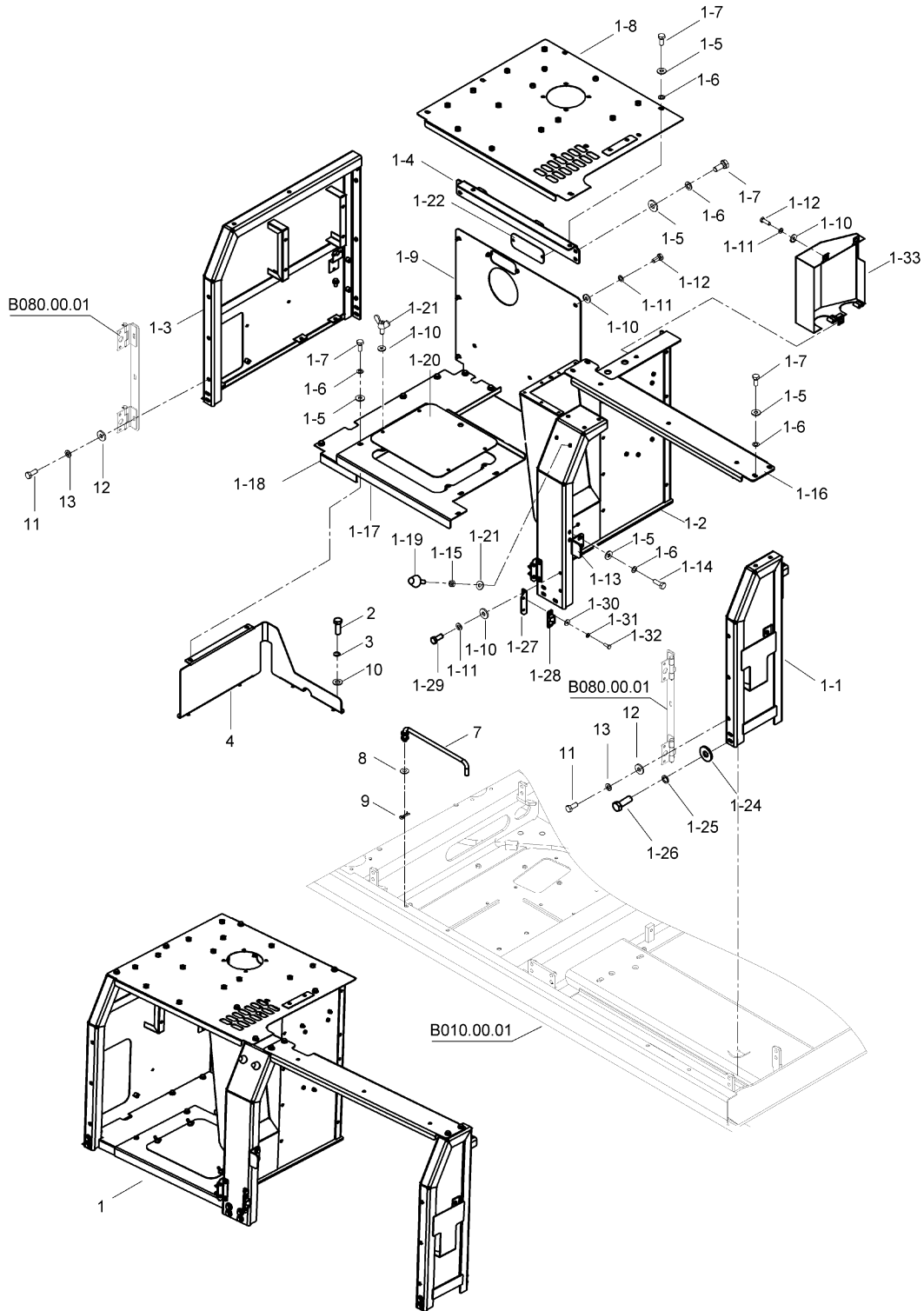
KAPORTA MONTAJI, SOL  
COWLING ASS'Y, LH



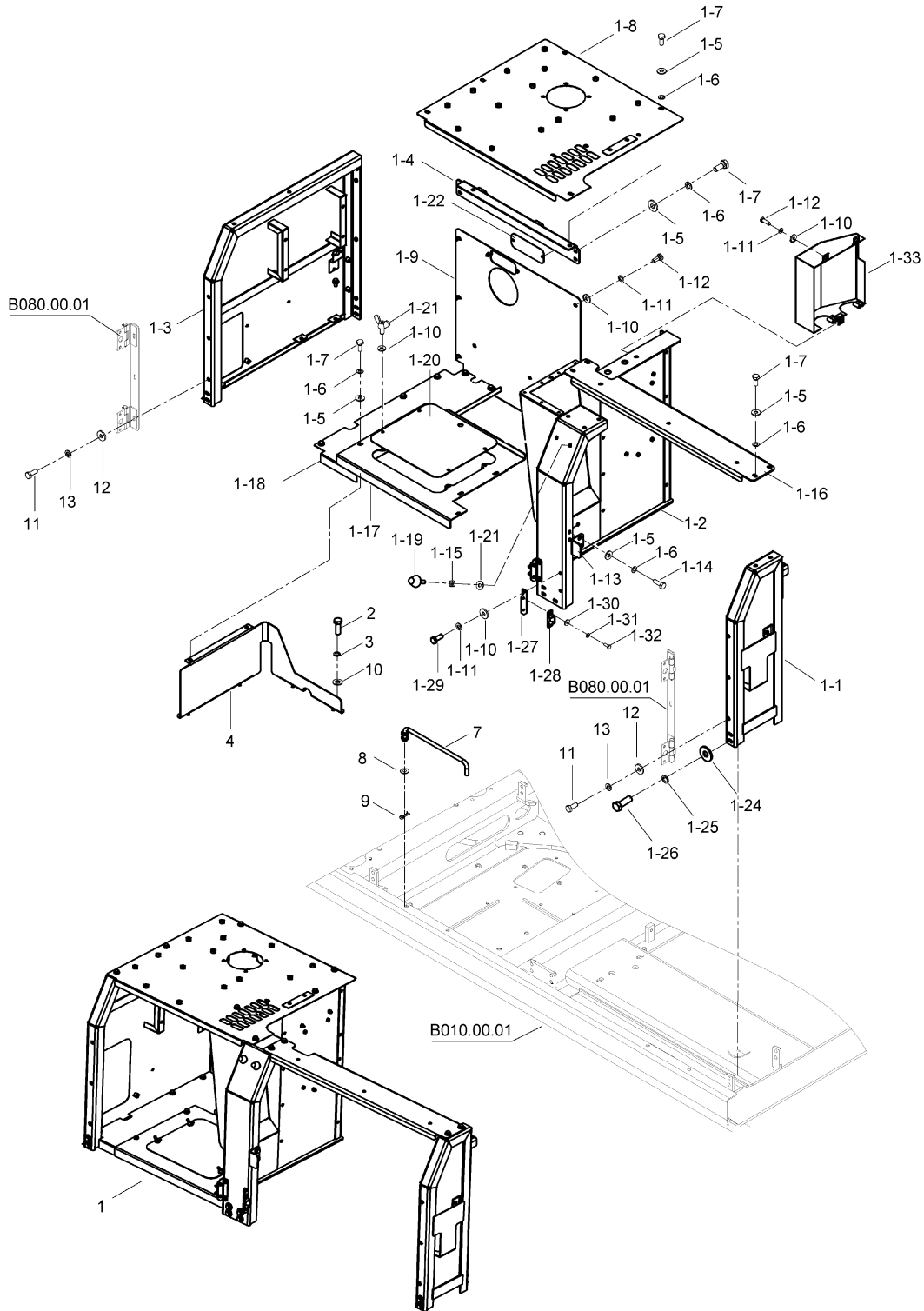
### KAPORTA MONTAJI, SOL COWLING ASS'Y, LH



### KAPORTA MONTAJI, SOL COWLING ASS'Y, LH

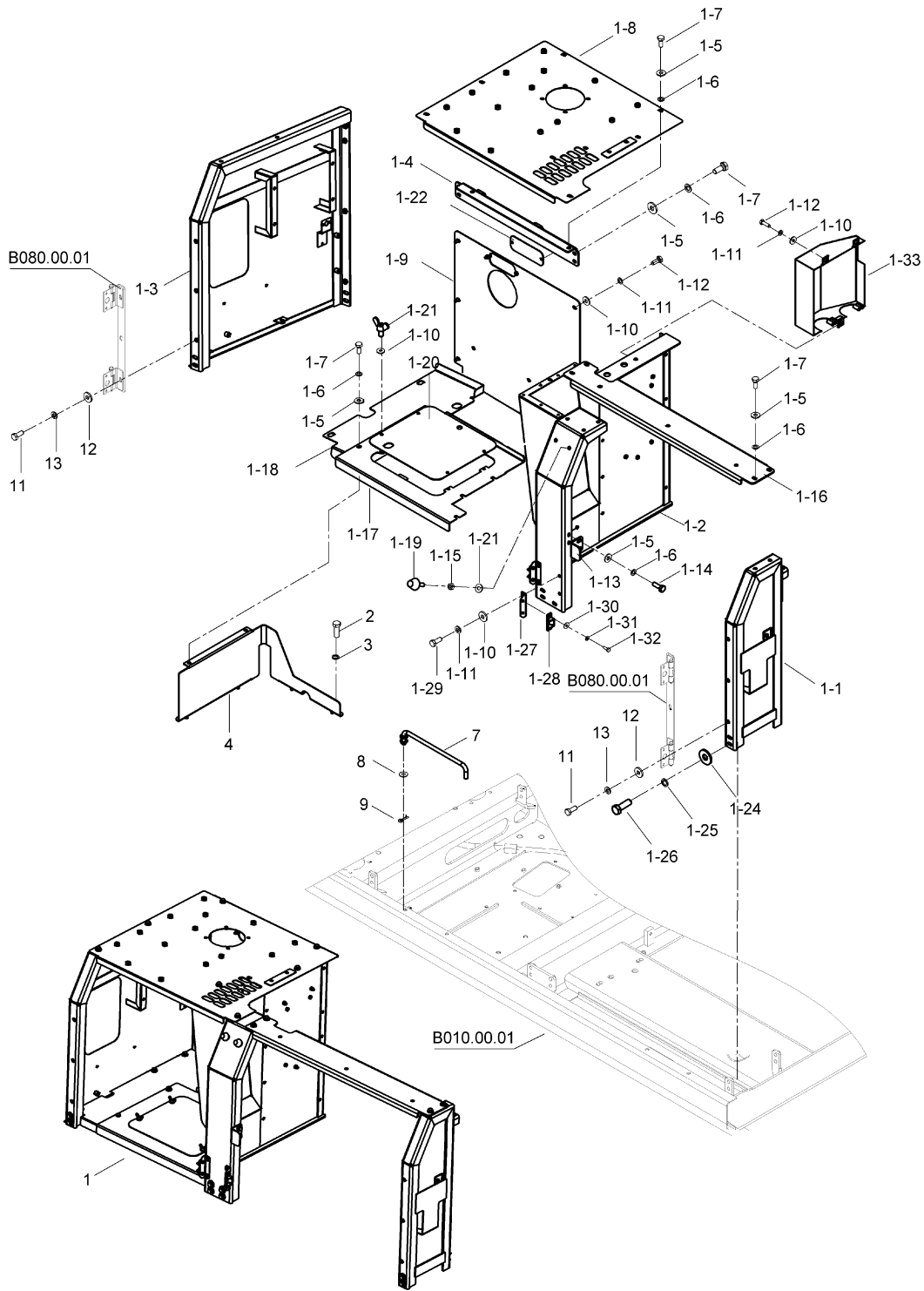


### KAPORTA MONTAJI, SOL COWLING ASS'Y, LH

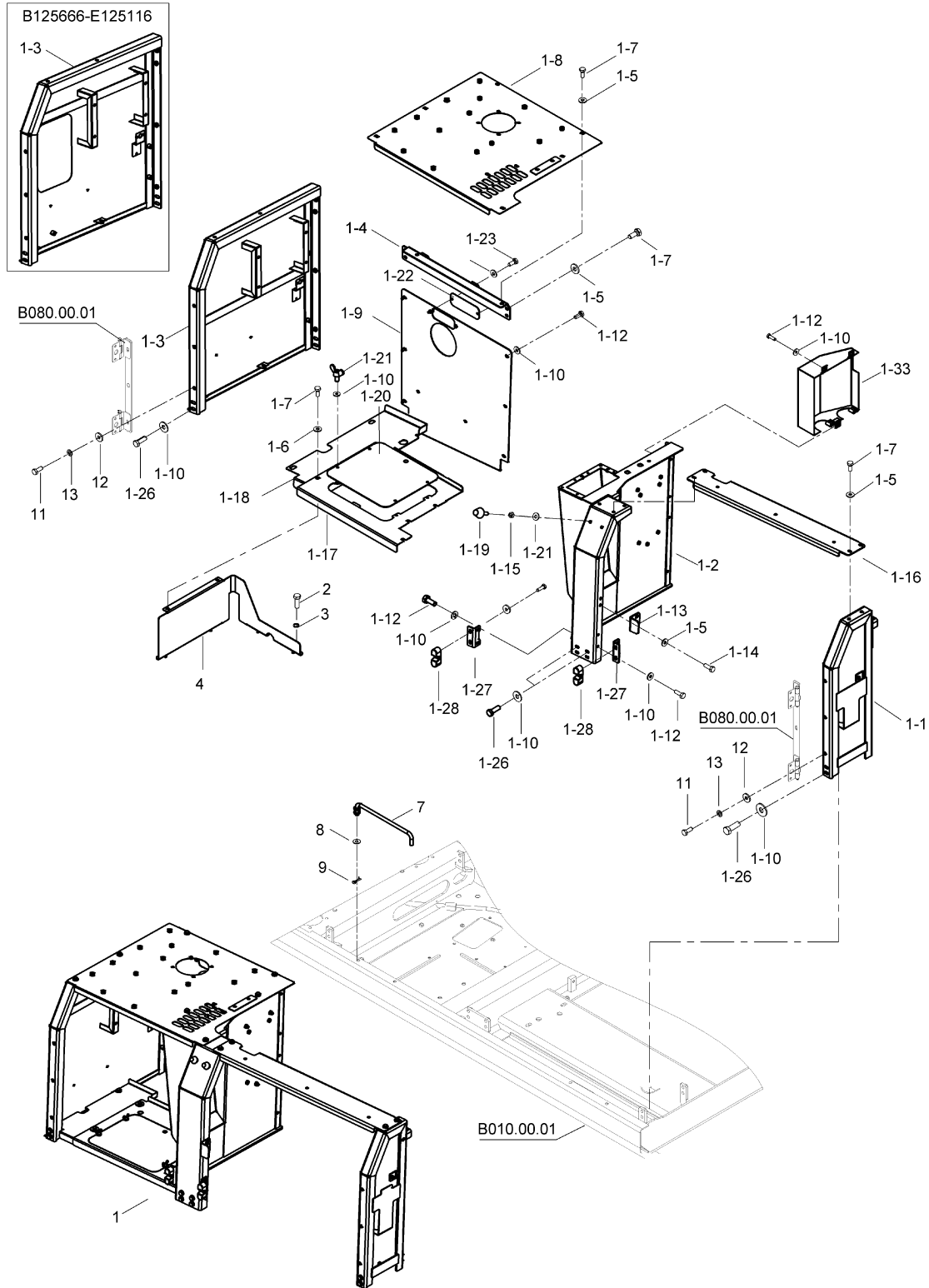




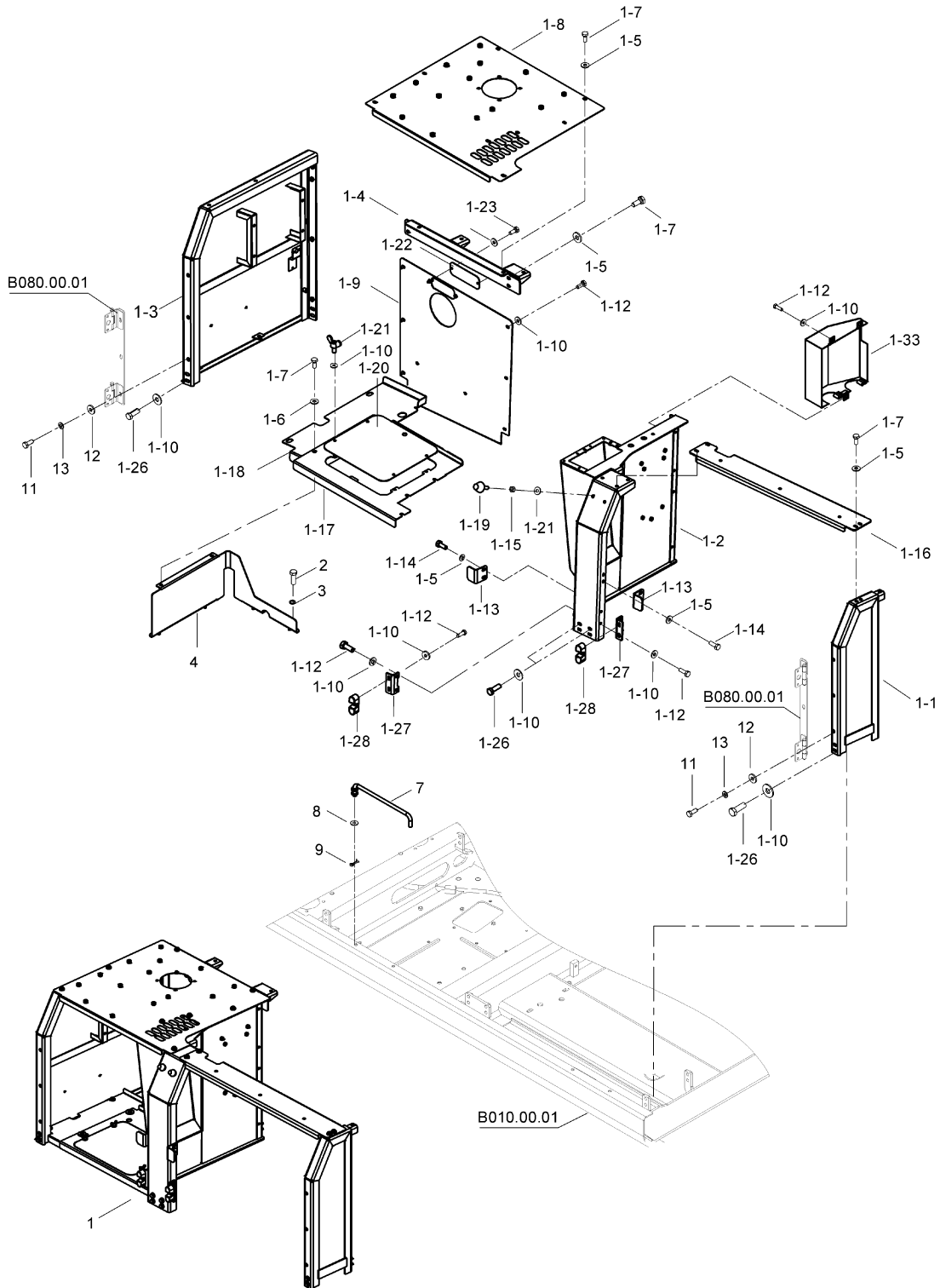
### KAPORTA MONTAJI, SOL COWLING ASS'Y, LH



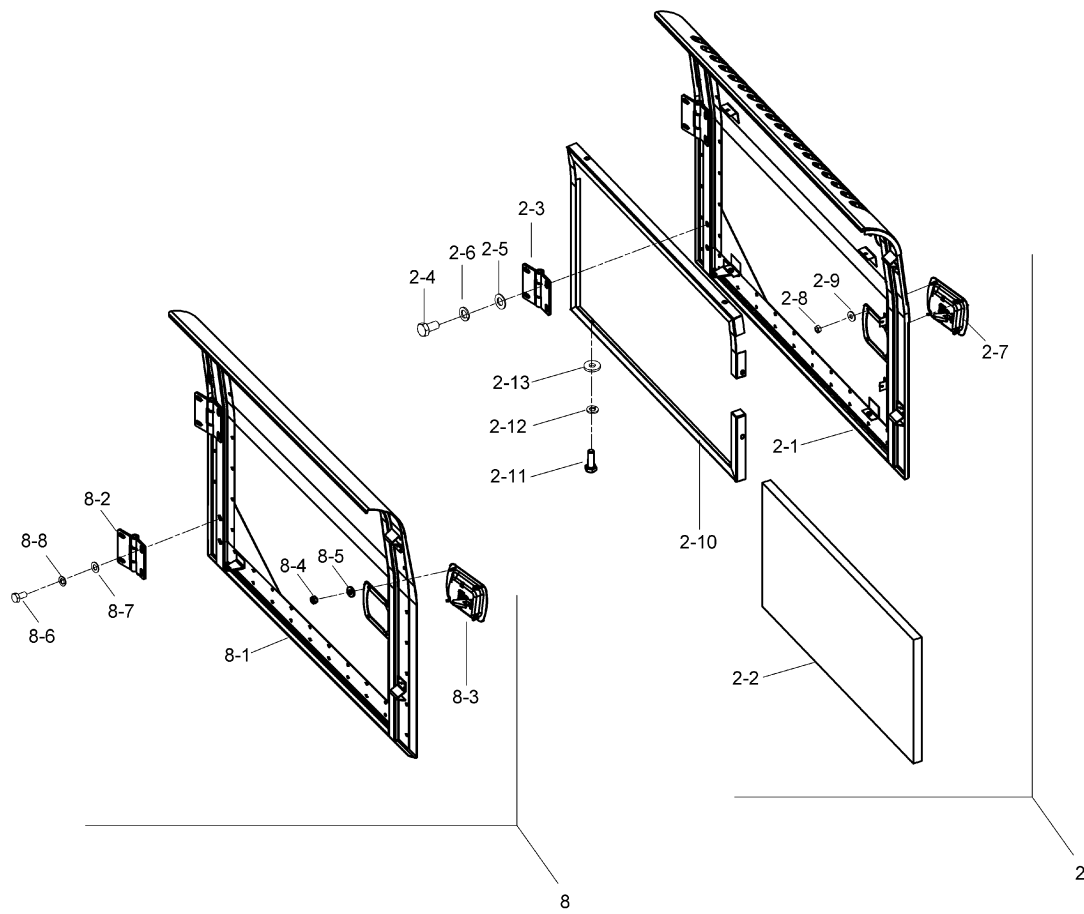
### KAPORTA MONTAJI, SOL COWLING ASS'Y, LH



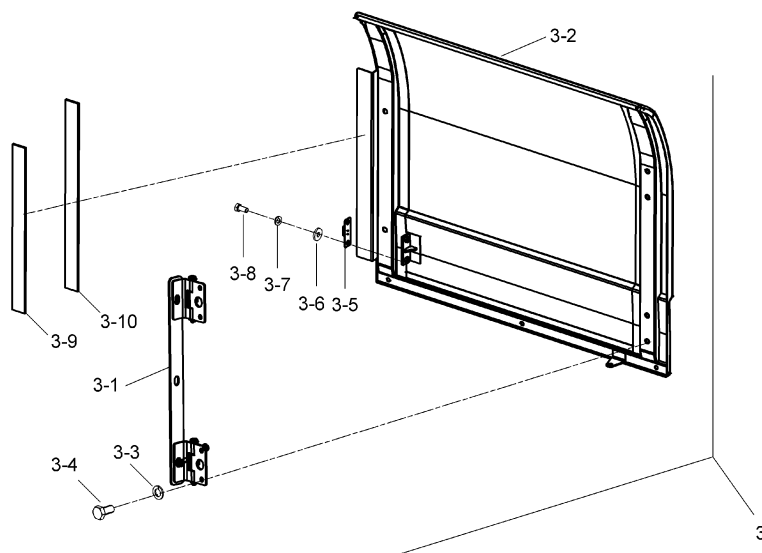
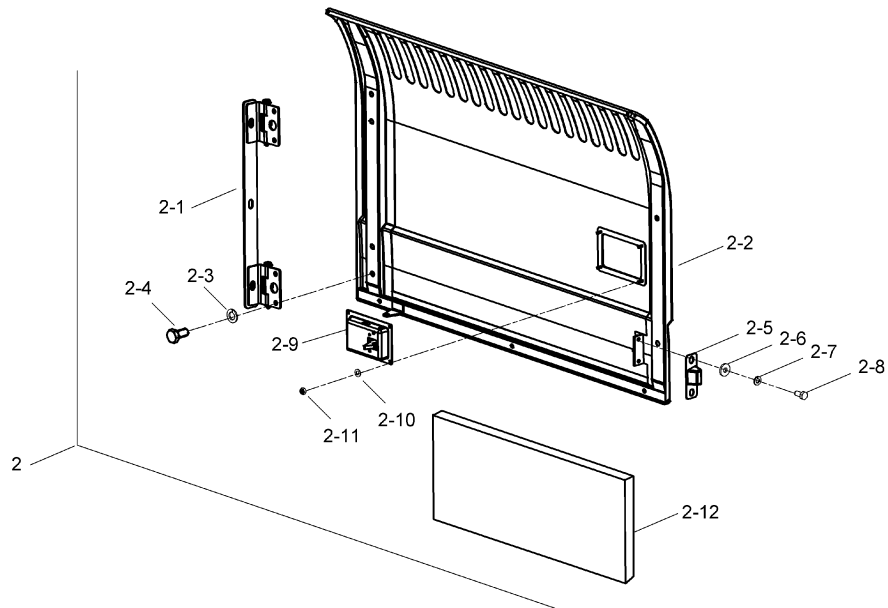
### KAPORTA MONTAJI, SOL COWLING ASS'Y, LH



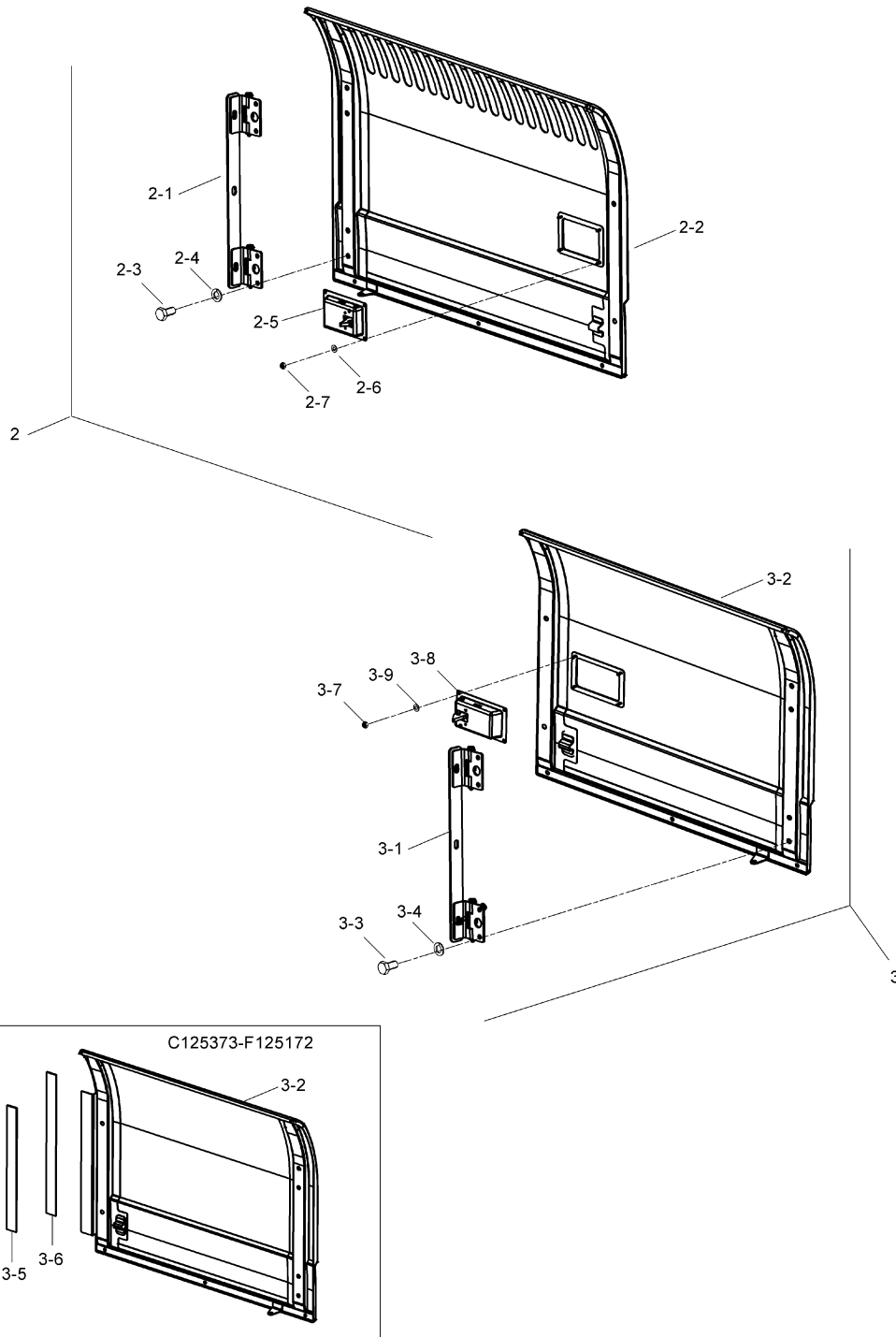
KAPI MONTAJI, SOL  
 DOOR MOUNTING, LH



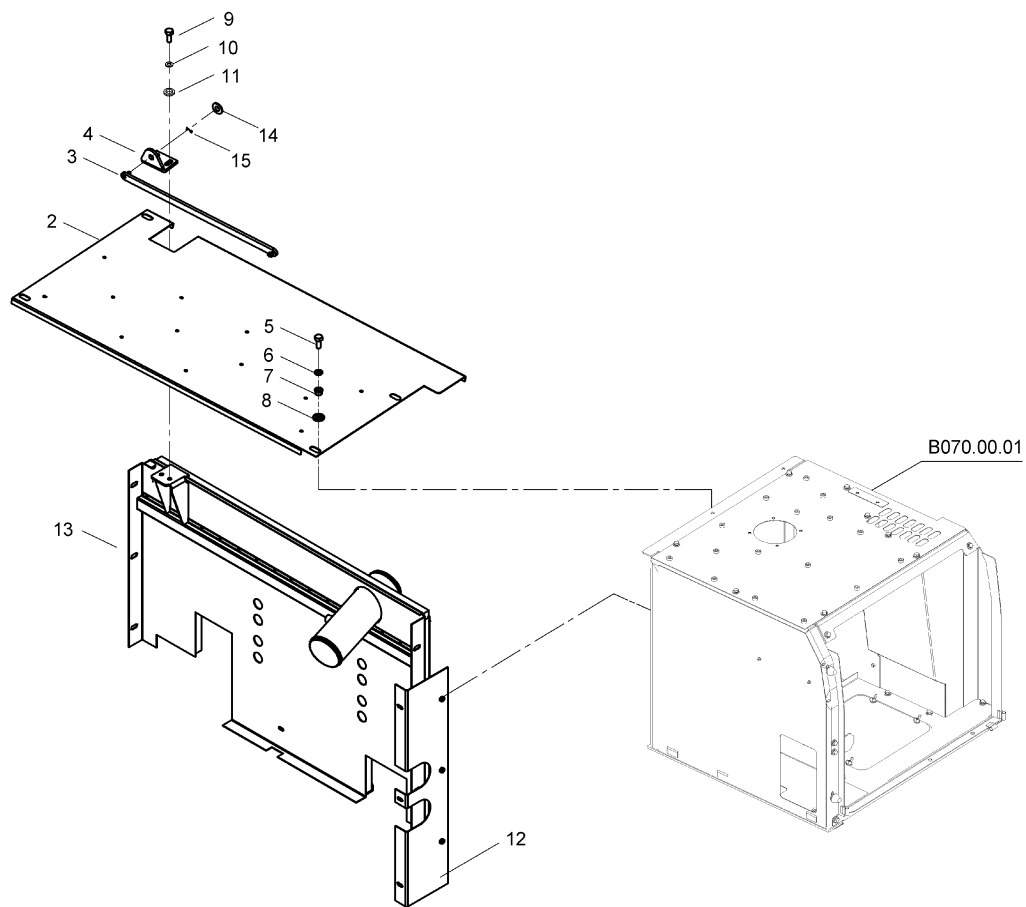
KAPI MONTAJI, SOL  
DOOR MOUNTING, LH



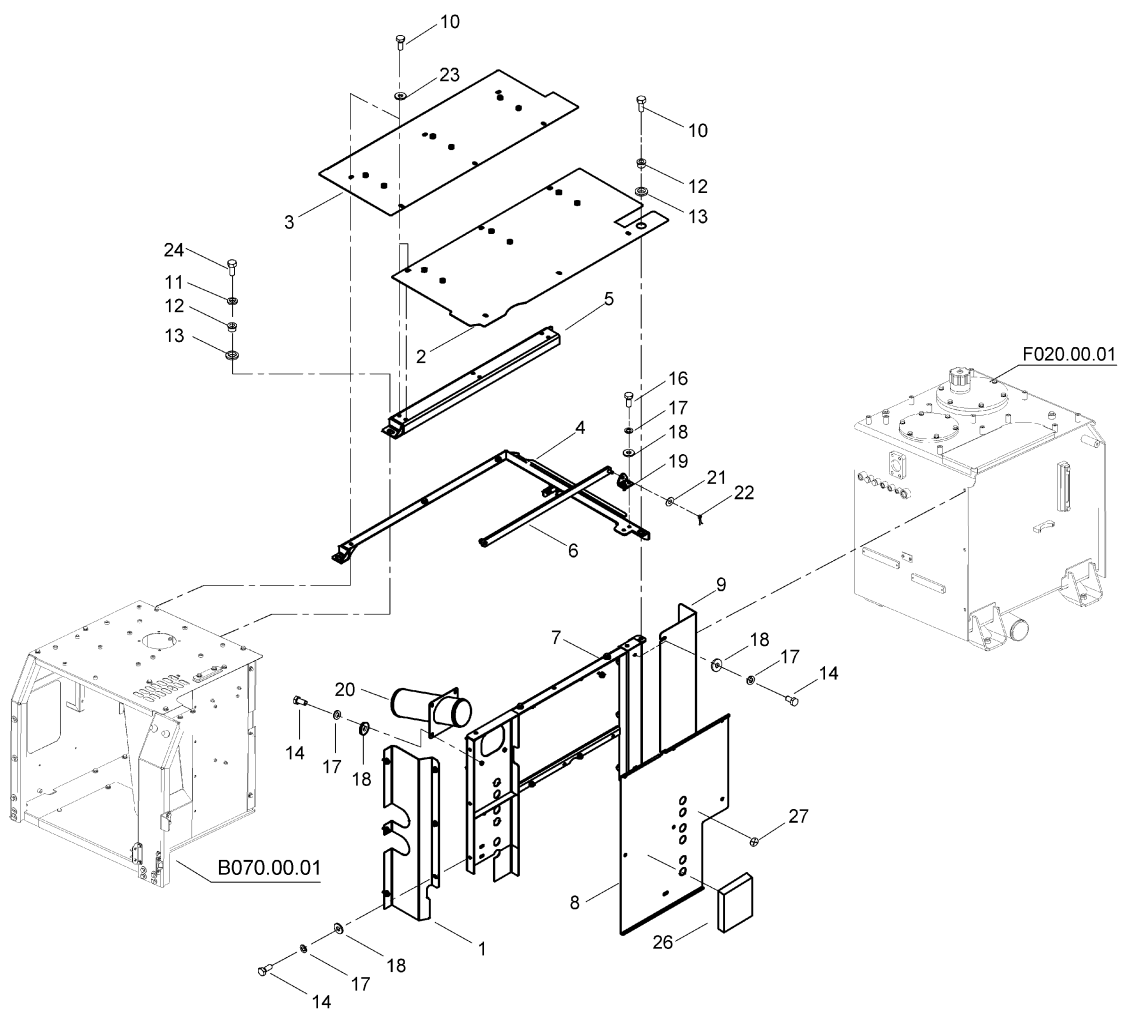
**KAPI MONTAJI, SOL**  
**DOOR MOUNTING, LH**



### KAPORTA MONTAJI, AKV COWLING ASS'Y, MCV

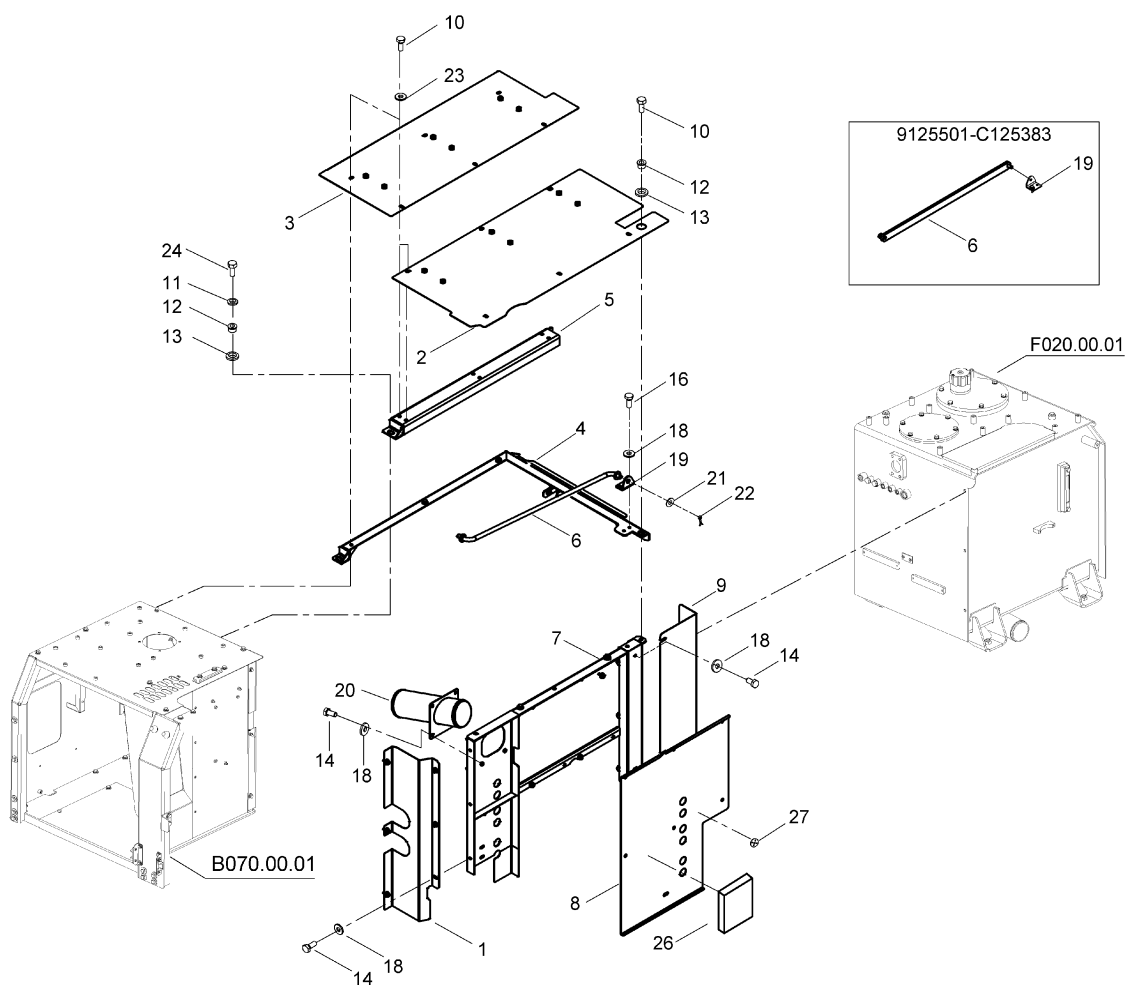


**KAPORTA MONTAJI, AKV  
COWLING ASS'Y, MCV**

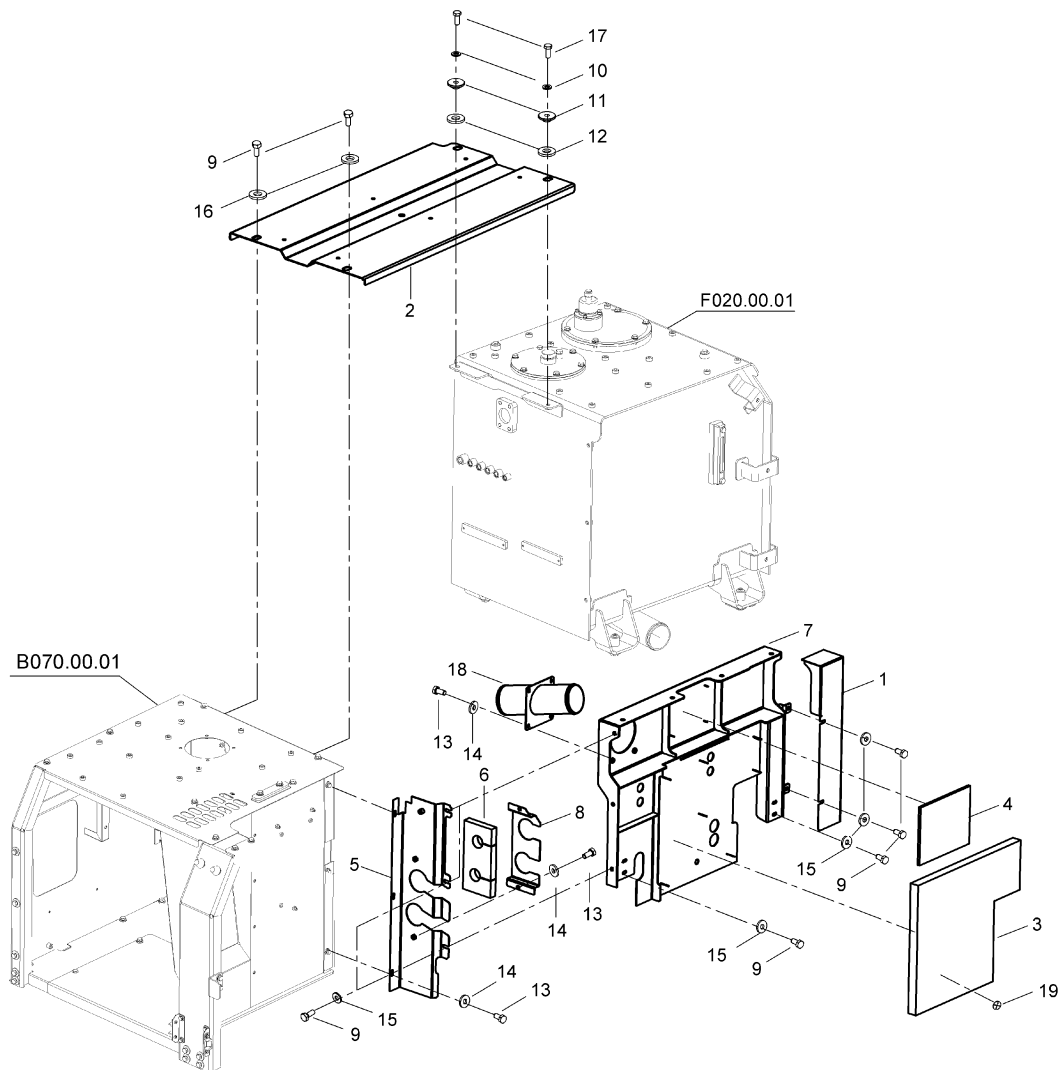




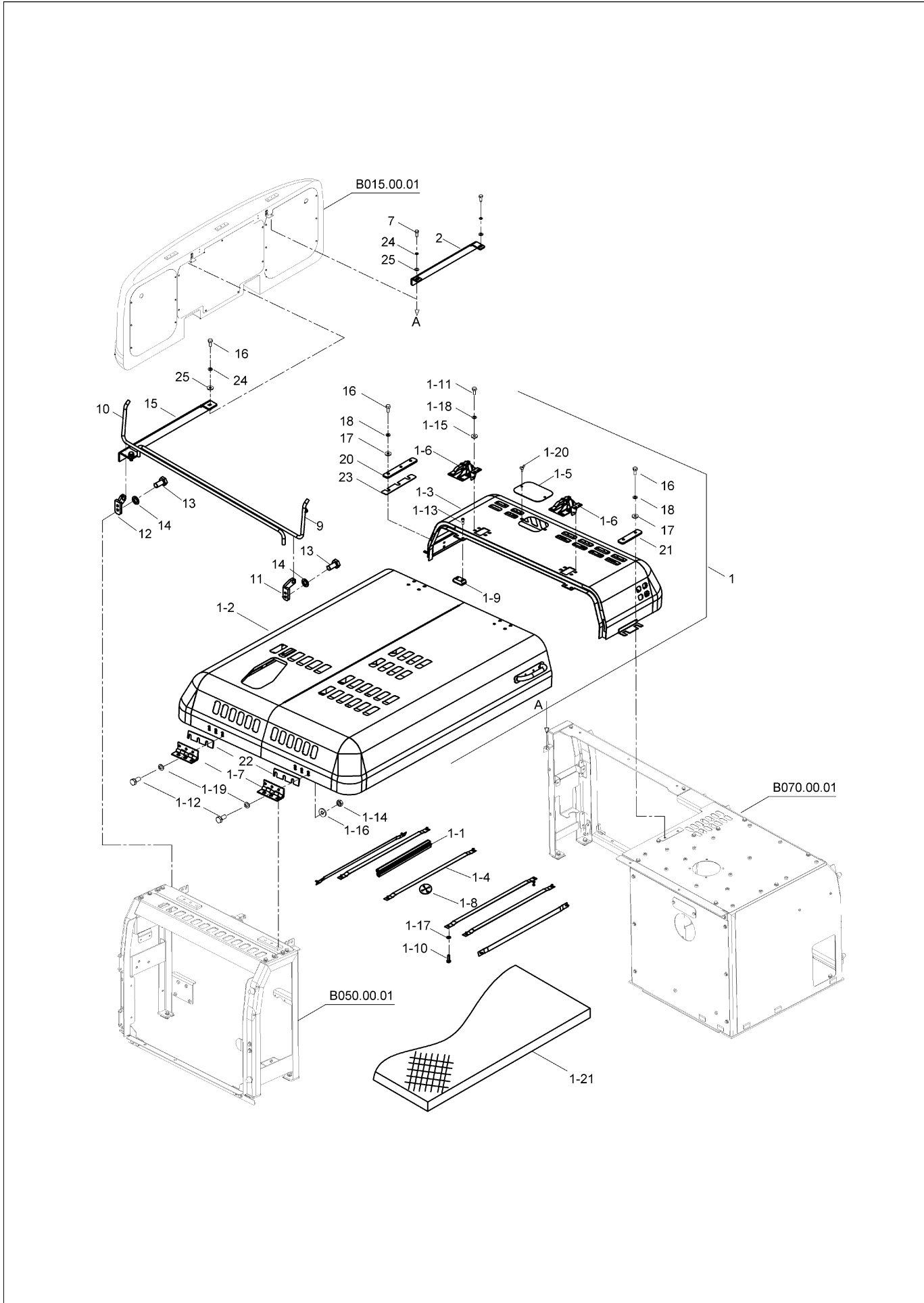
### KAPORTA MONTAJI, AKV COWLING ASS'Y, MCV



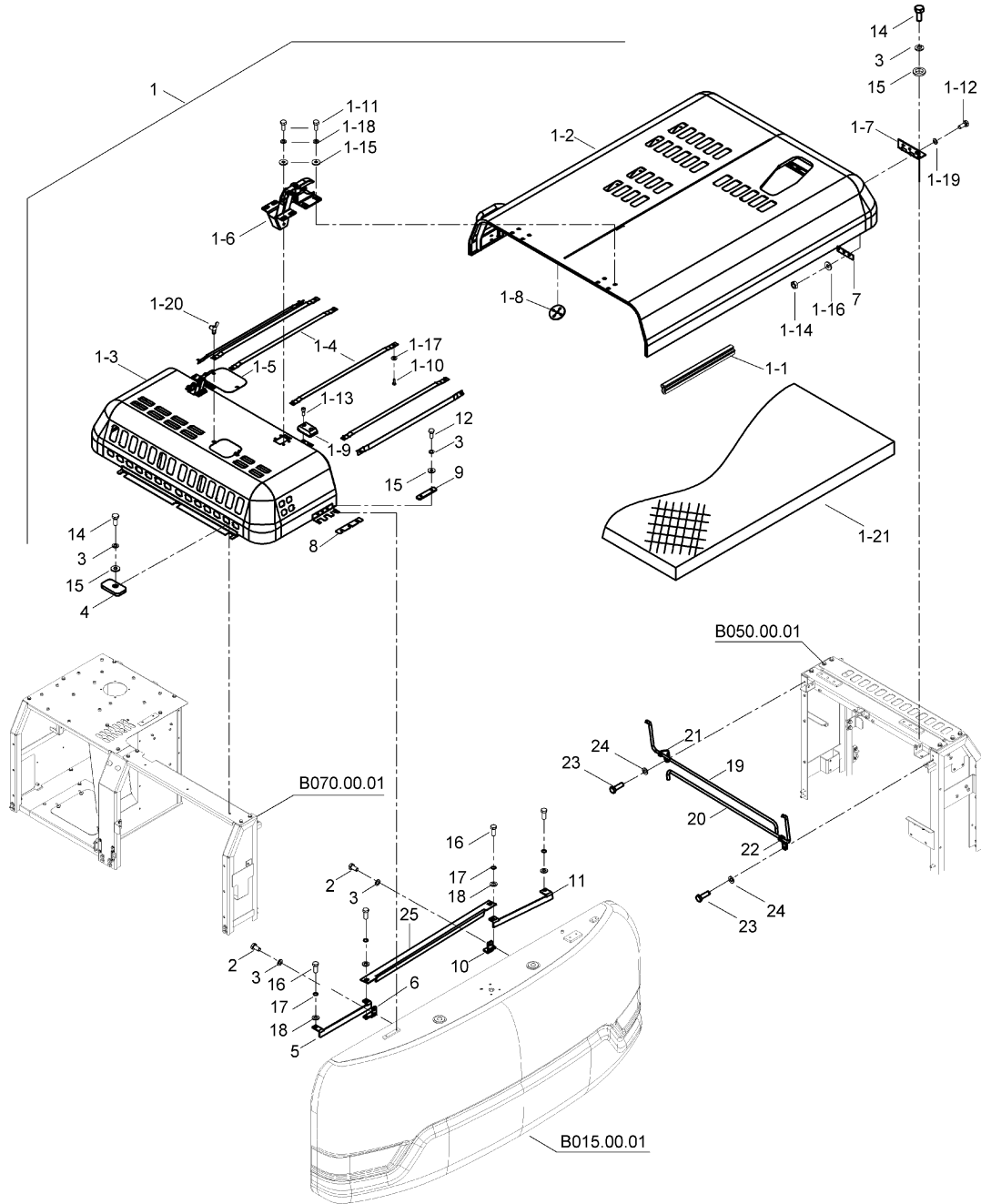
**KAPORTA MONTAJI, AKV  
COWLING ASS'Y, MCV**



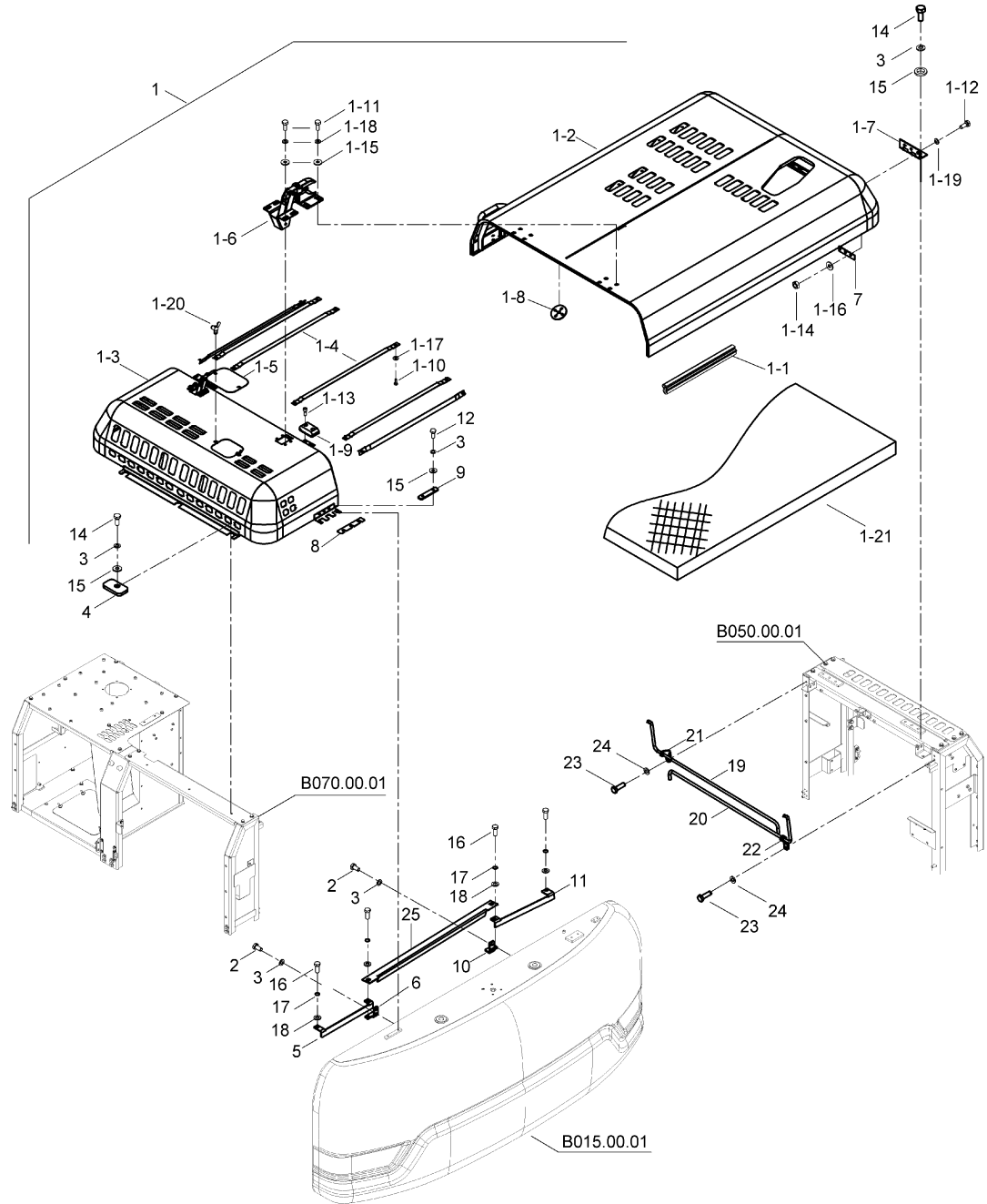
### MOTOR KAPUT MONTAJI ENGINE HOOD MOUNTING



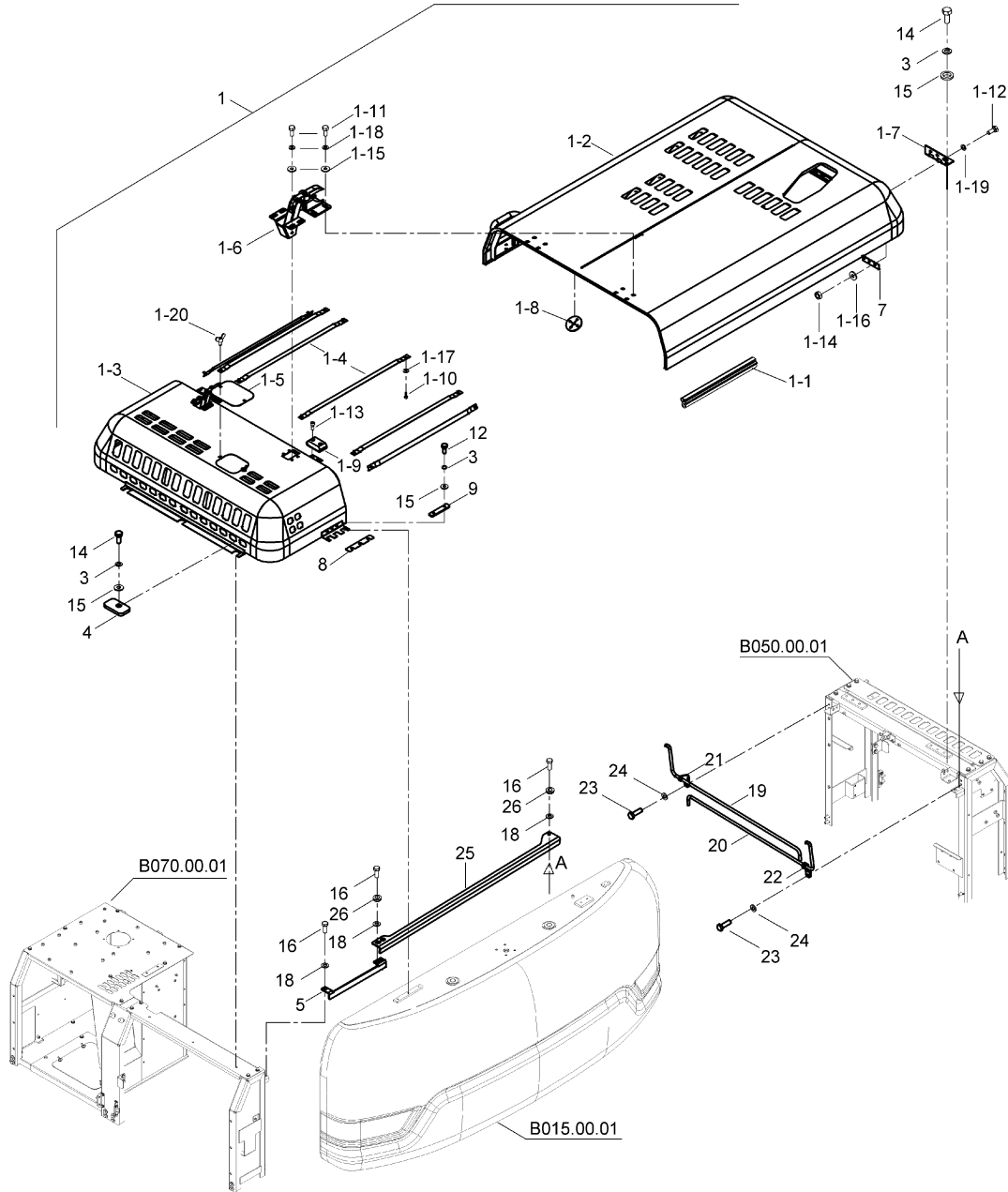
# MOTOR KAPUT MONTAJI ENGINE HOOD MOUNTING



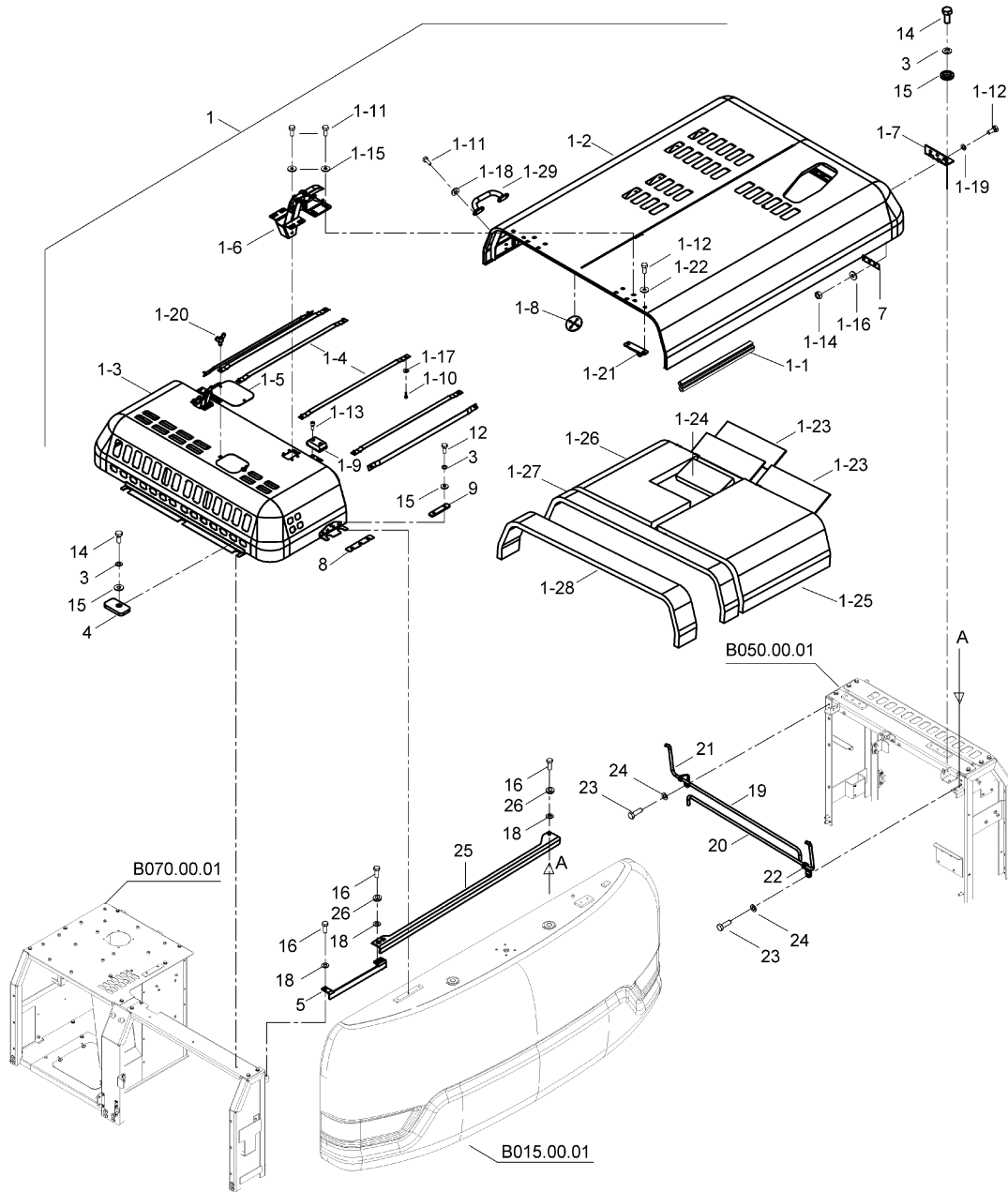
### MOTOR KAPUT MONTAJI ENGINE HOOD MOUNTING



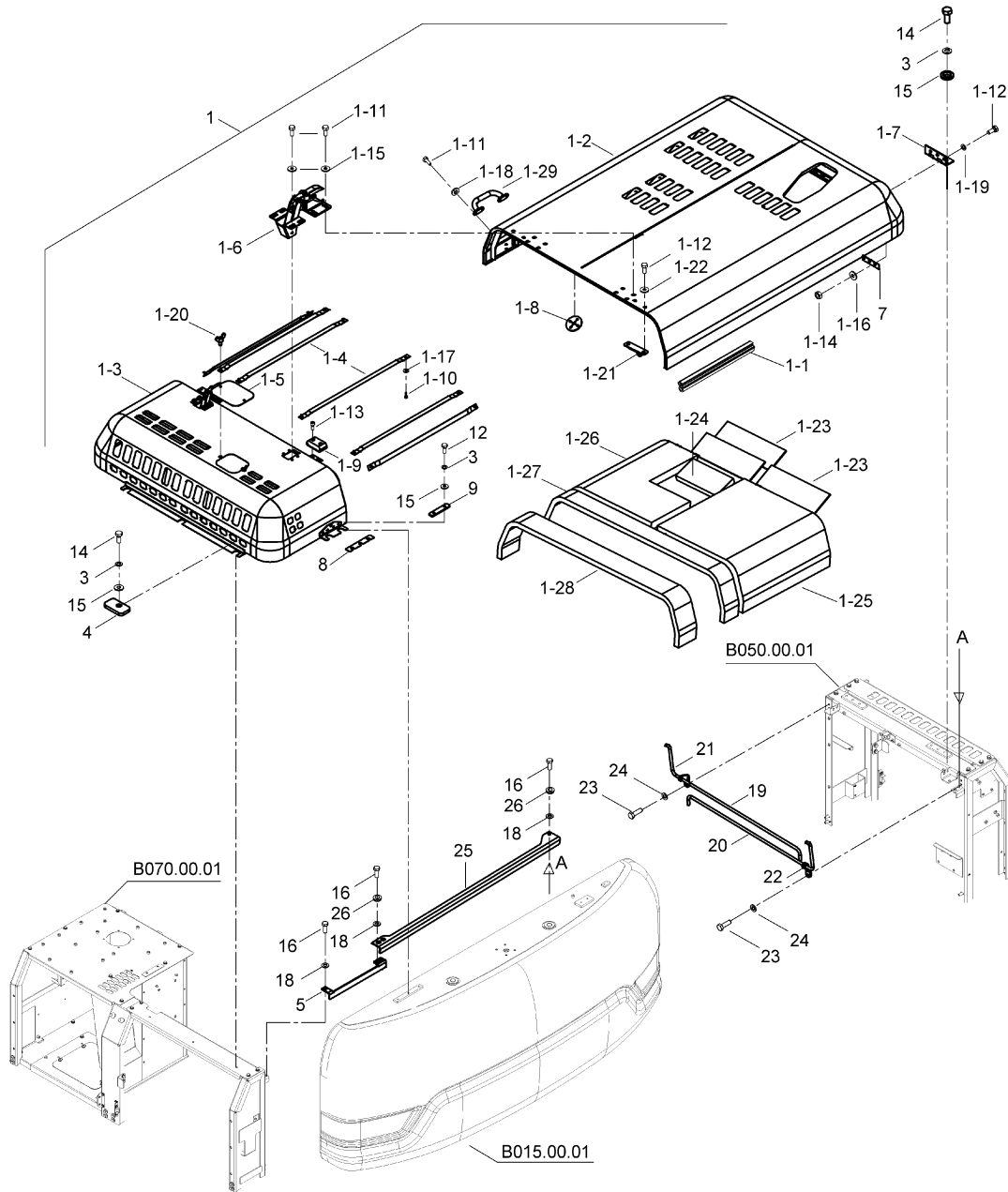
### MOTOR KAPUT MONTAJI ENGINE HOOD MOUNTING



# MOTOR KAPUT MONTAJI ENGINE HOOD MOUNTING

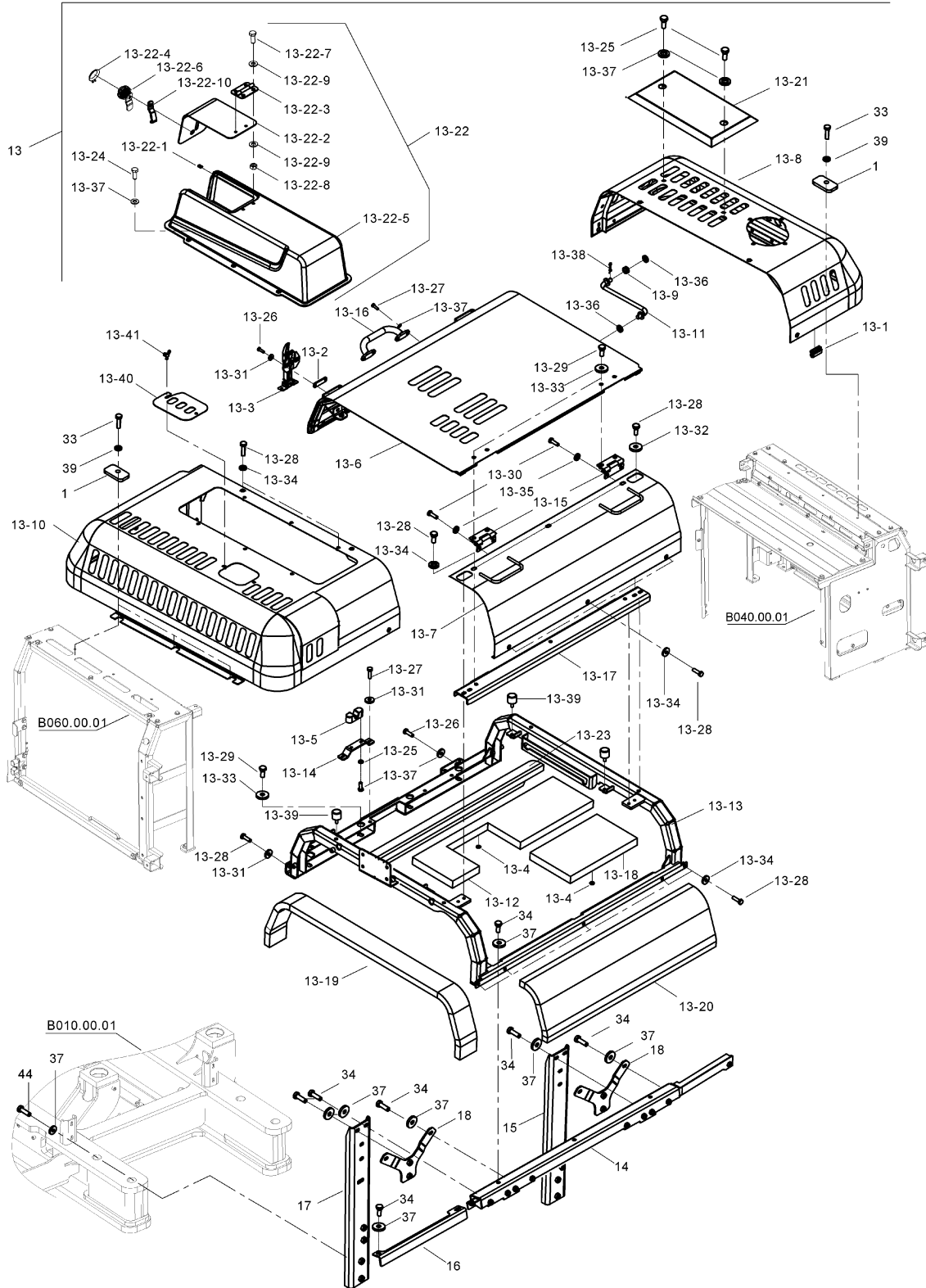


### MOTOR KAPUT MONTAJI ENGINE HOOD MOUNTING

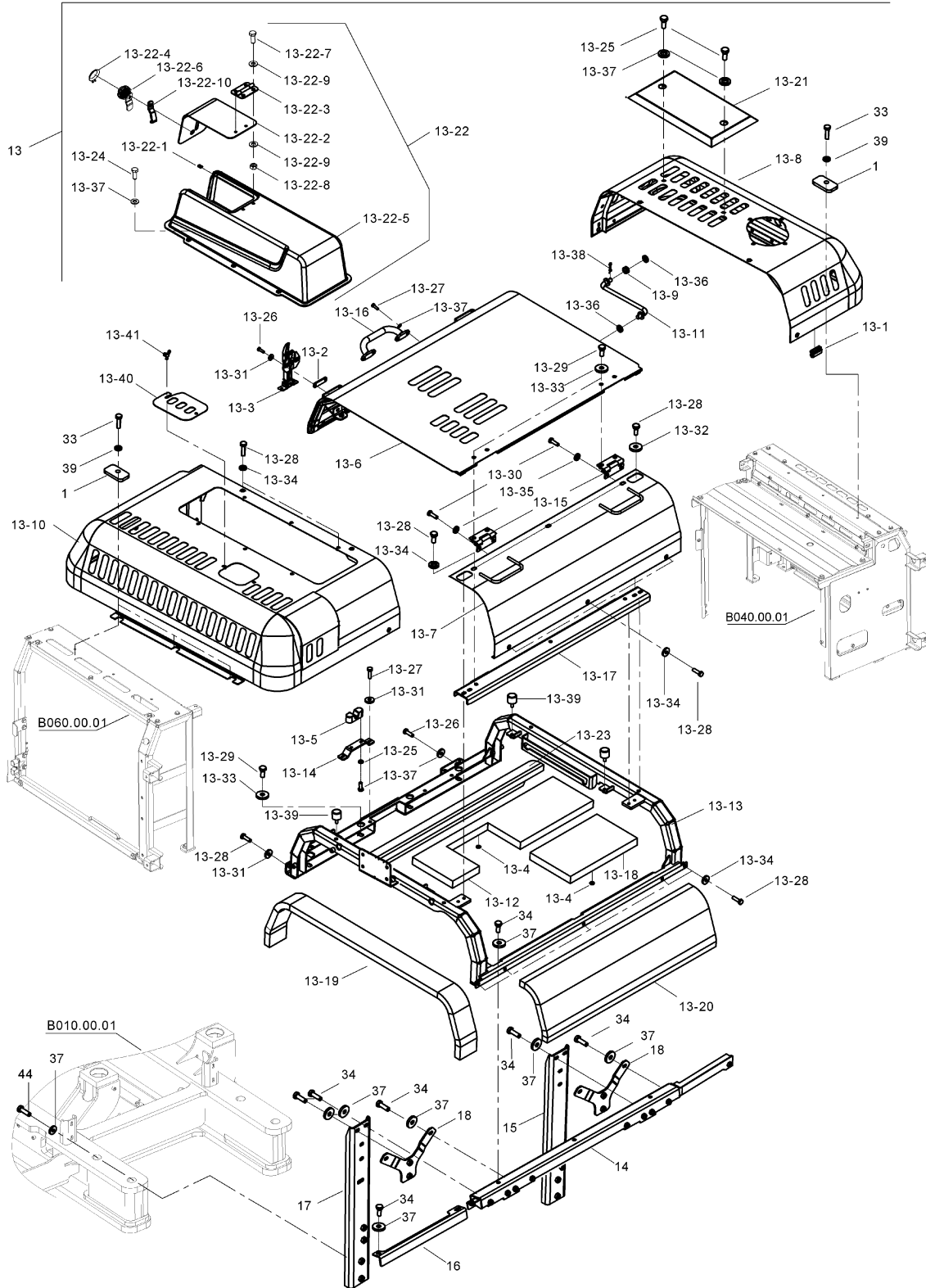




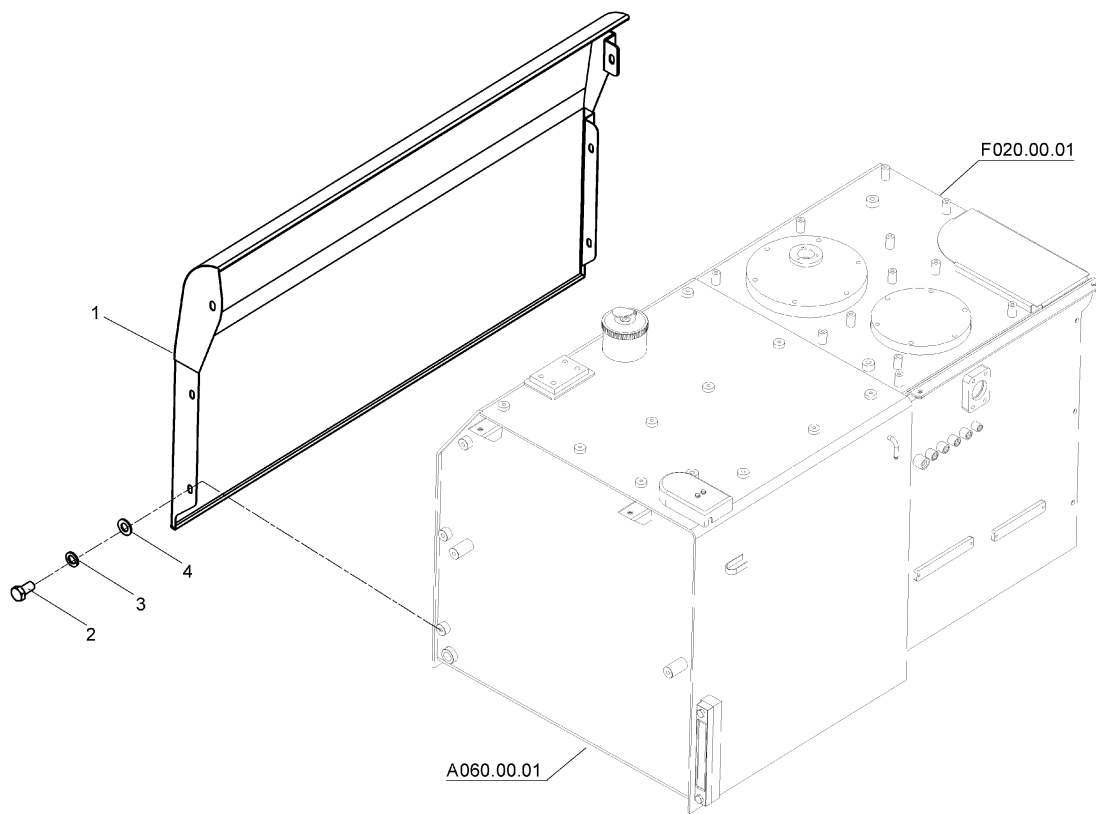
# MOTOR KAPUT MONTAJI ENGINE HOOD MOUNTING



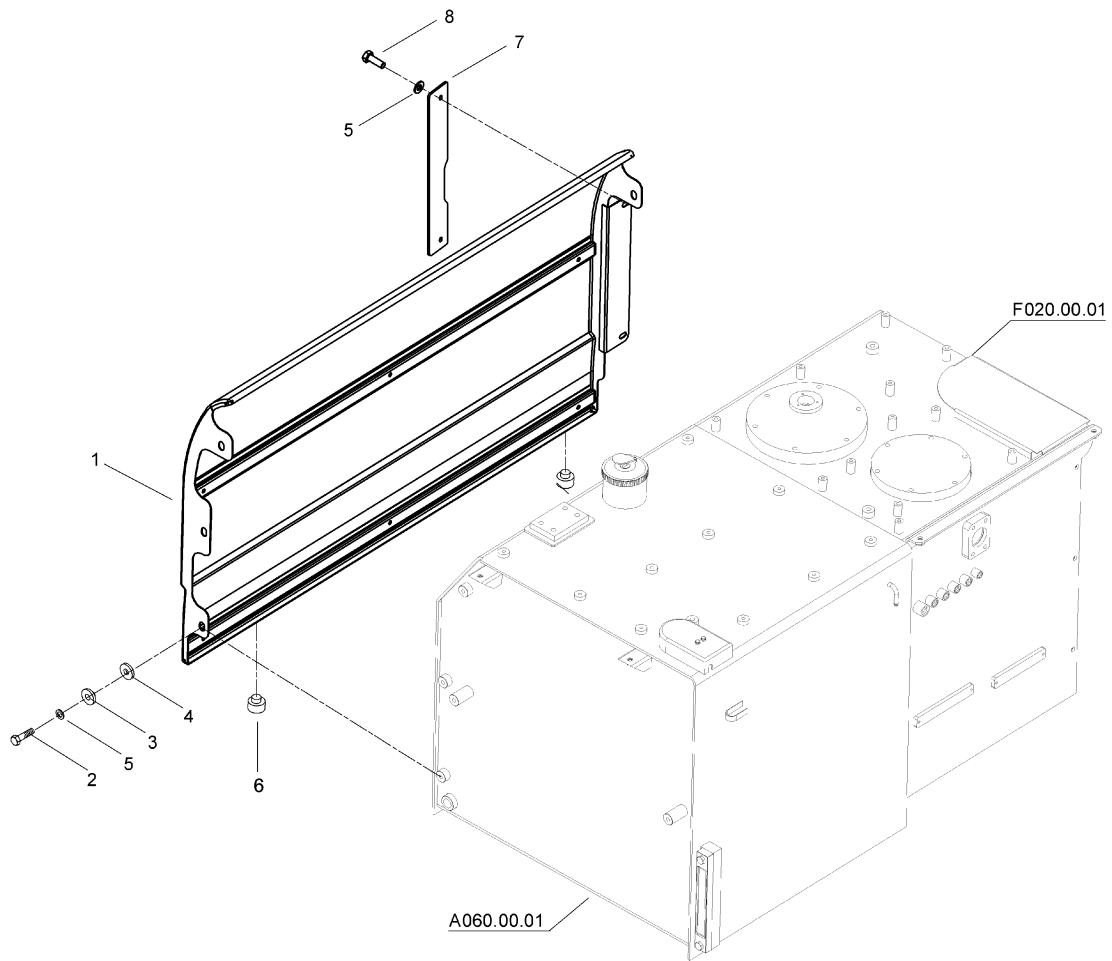
### MOTOR KAPUT MONTAJI ENGINE HOOD MOUNTING



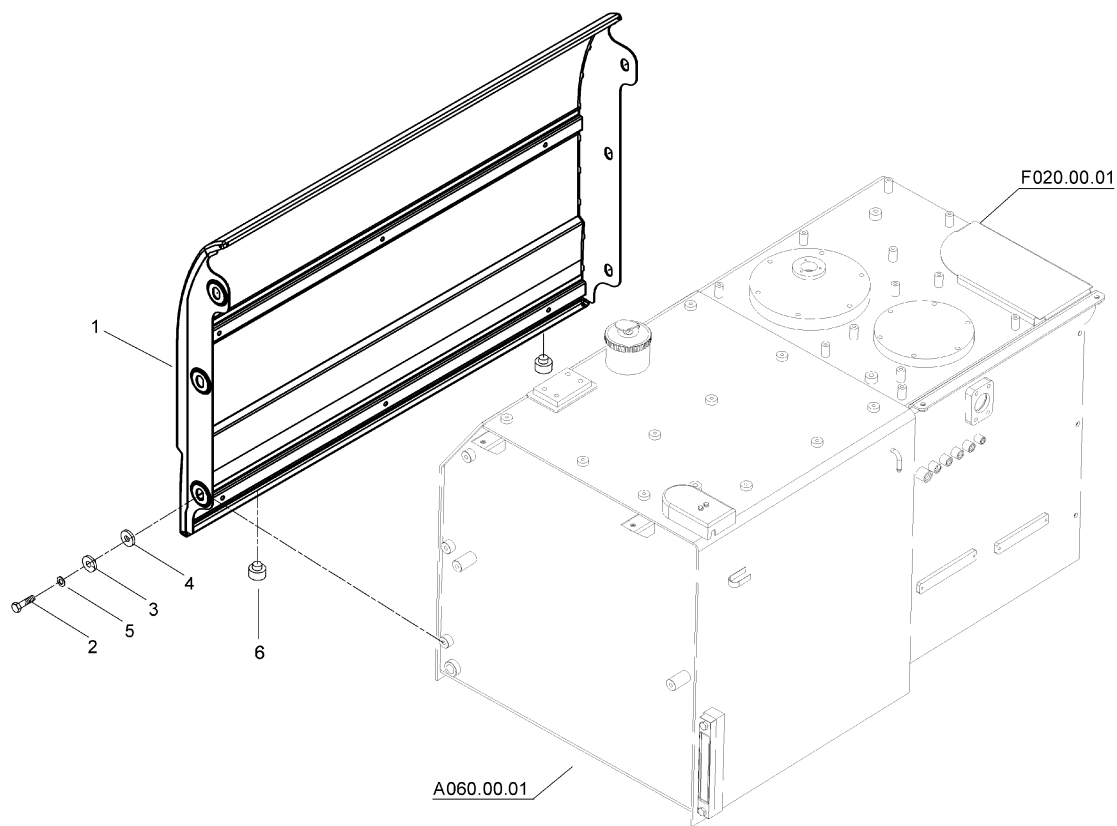
### DEPO KAPAK MONTAJI TANK COVER MOUNTING



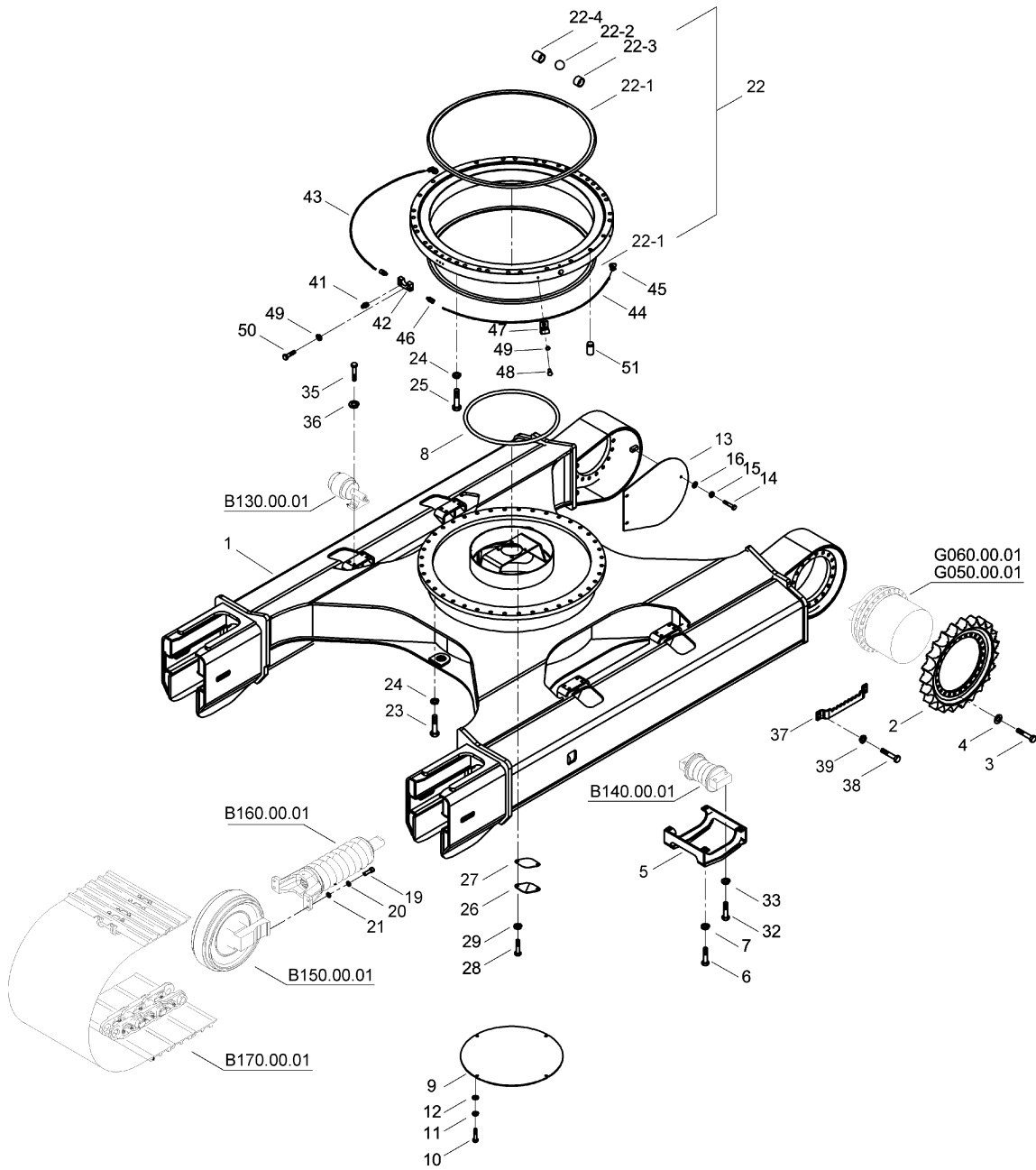
### DEPO KAPAK MONTAJI TANK COVER MOUNTING



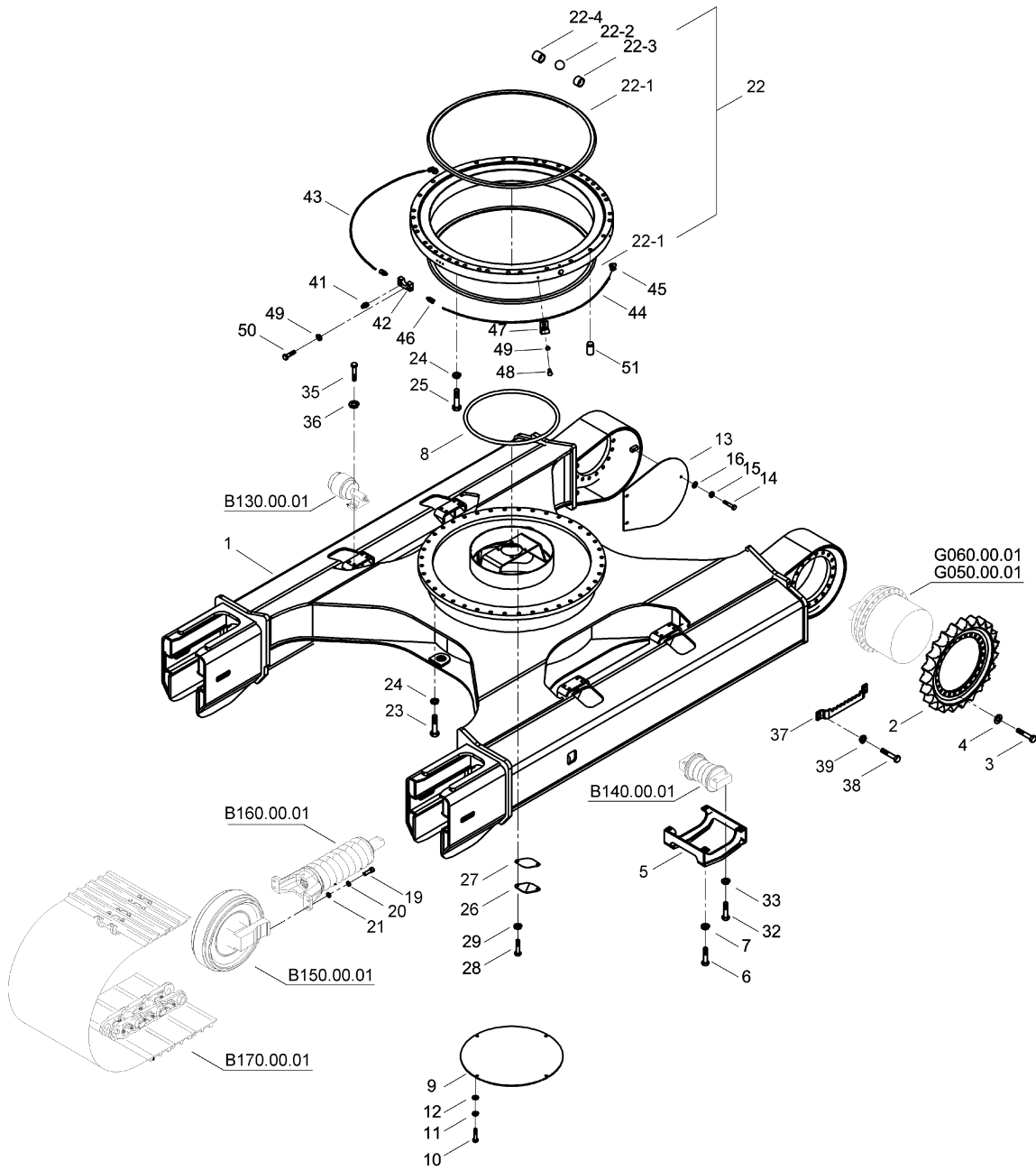
### DEPO KAPAK MONTAJI TANK COVER MOUNTING



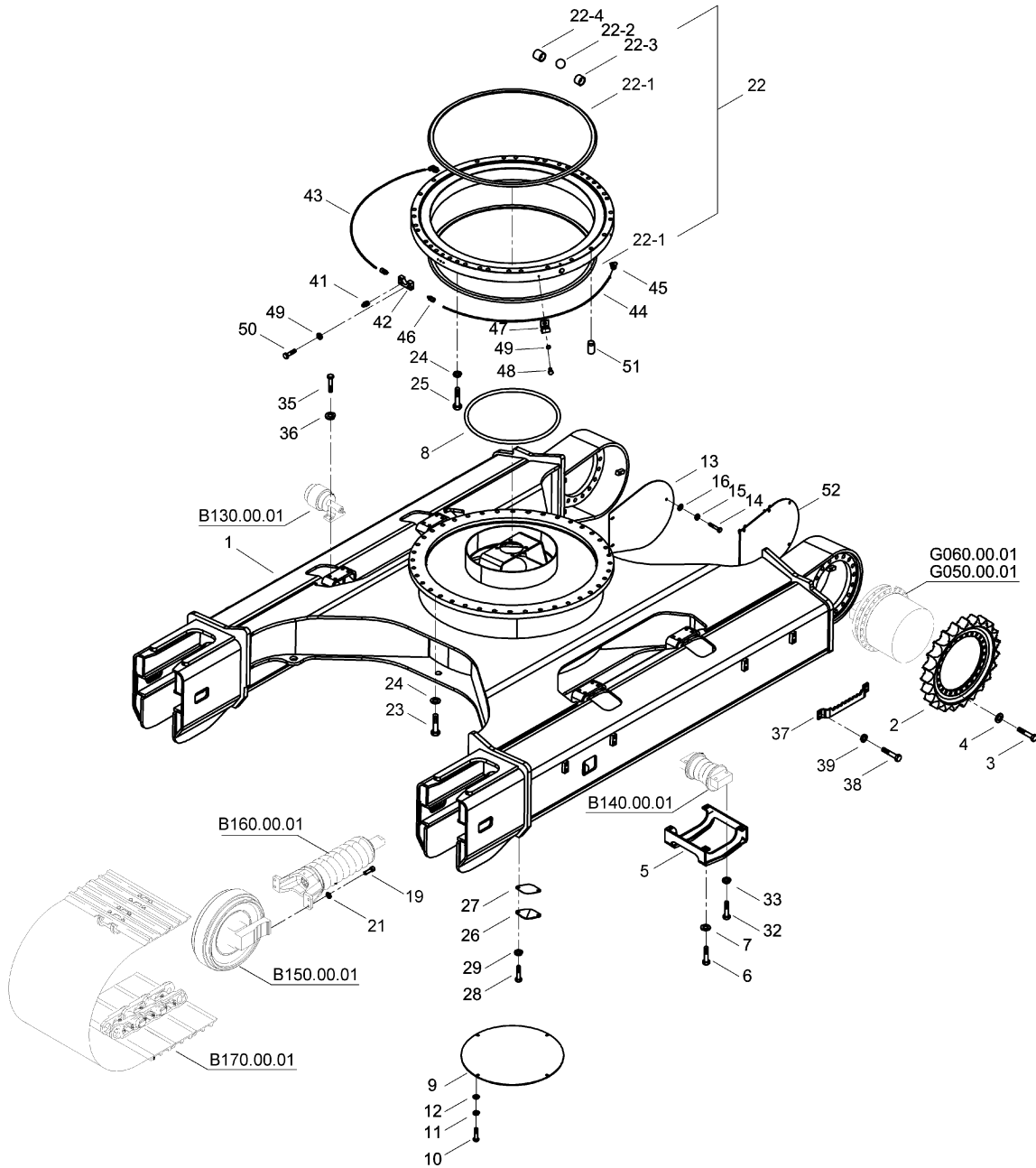
### ALT ŞAŞI MONTAJI (TİP A) LOWER FRAME MOUNTING (TYPE A)



### ALT ŞAŞI MONTAJI (TİP A) LOWER FRAME MOUNTING (TYPE A)

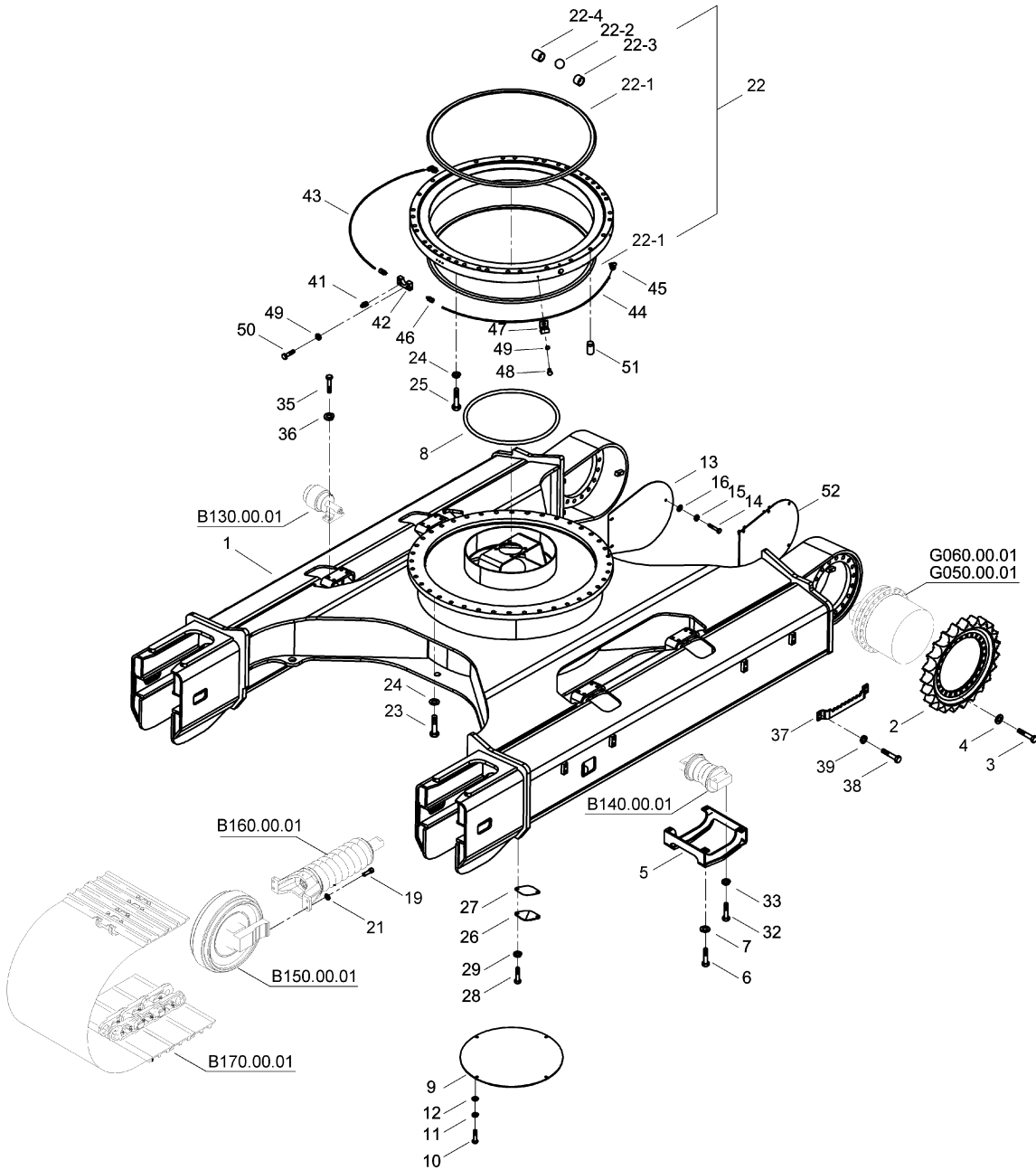


**ALT ŞASI MONTAJI (TİP A)**  
**LOWER FRAME MOUNTING (TYPE A)**

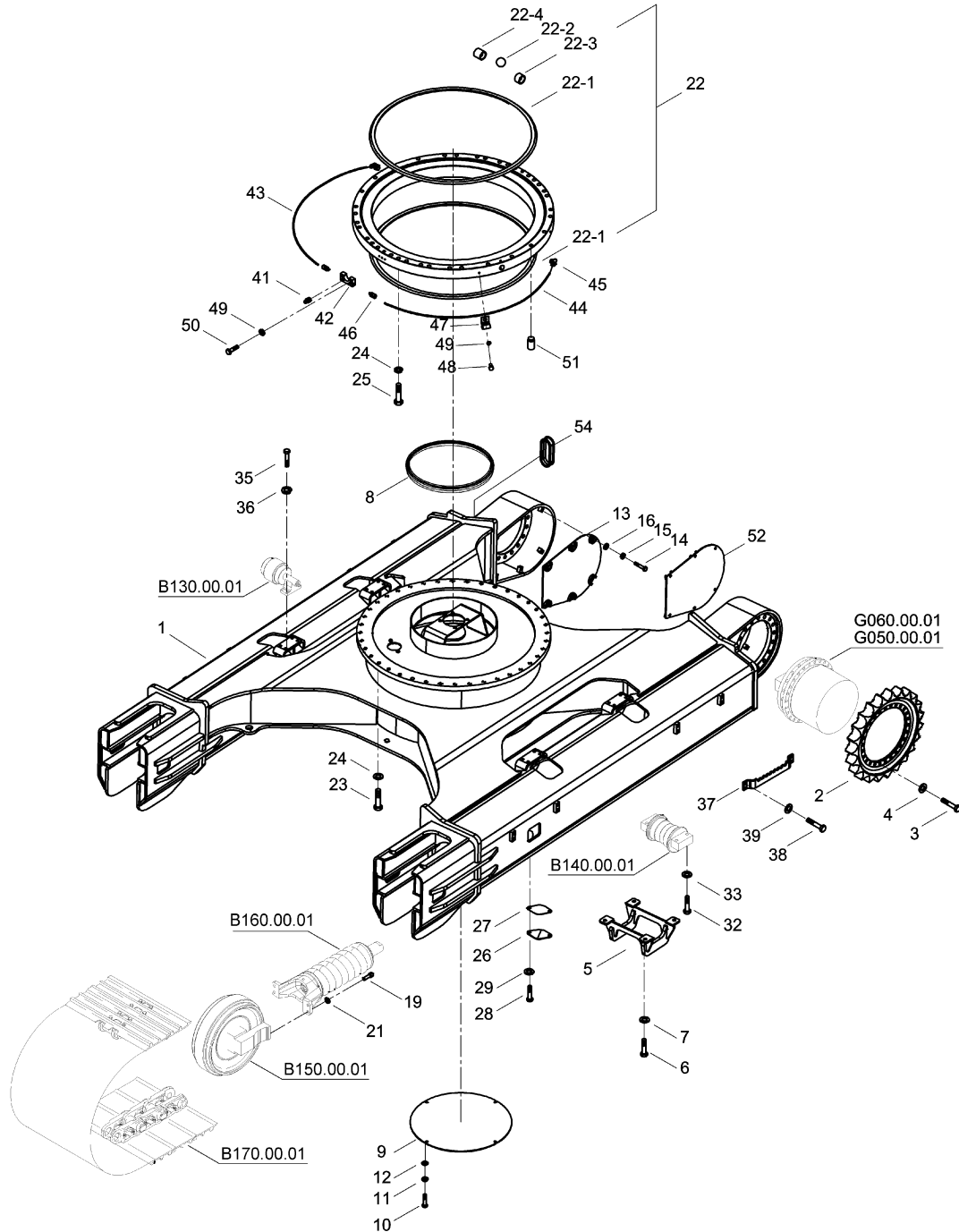




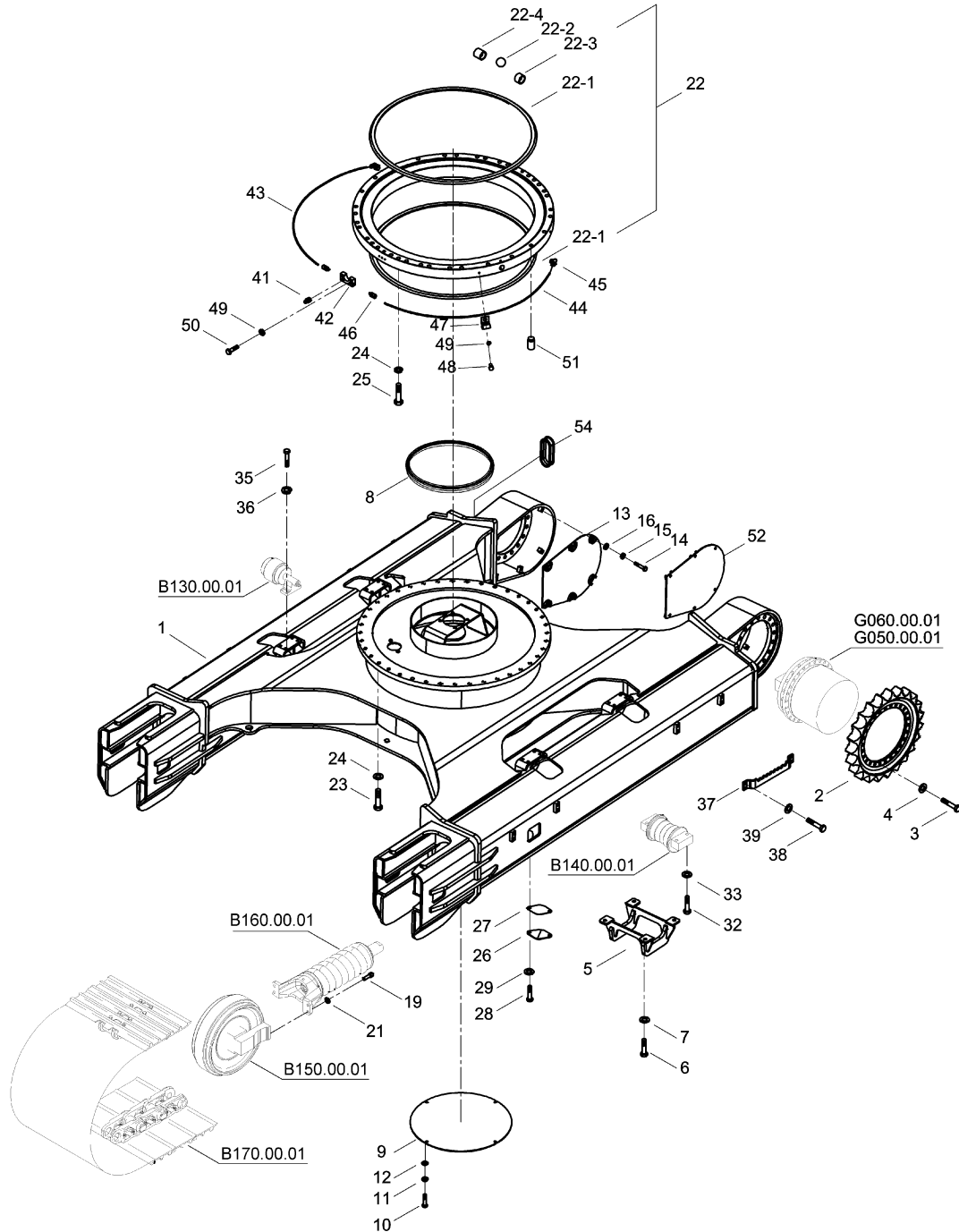
### ALT ŞAŞI MONTAJI (TİP A) LOWER FRAME MOUNTING (TYPE A)



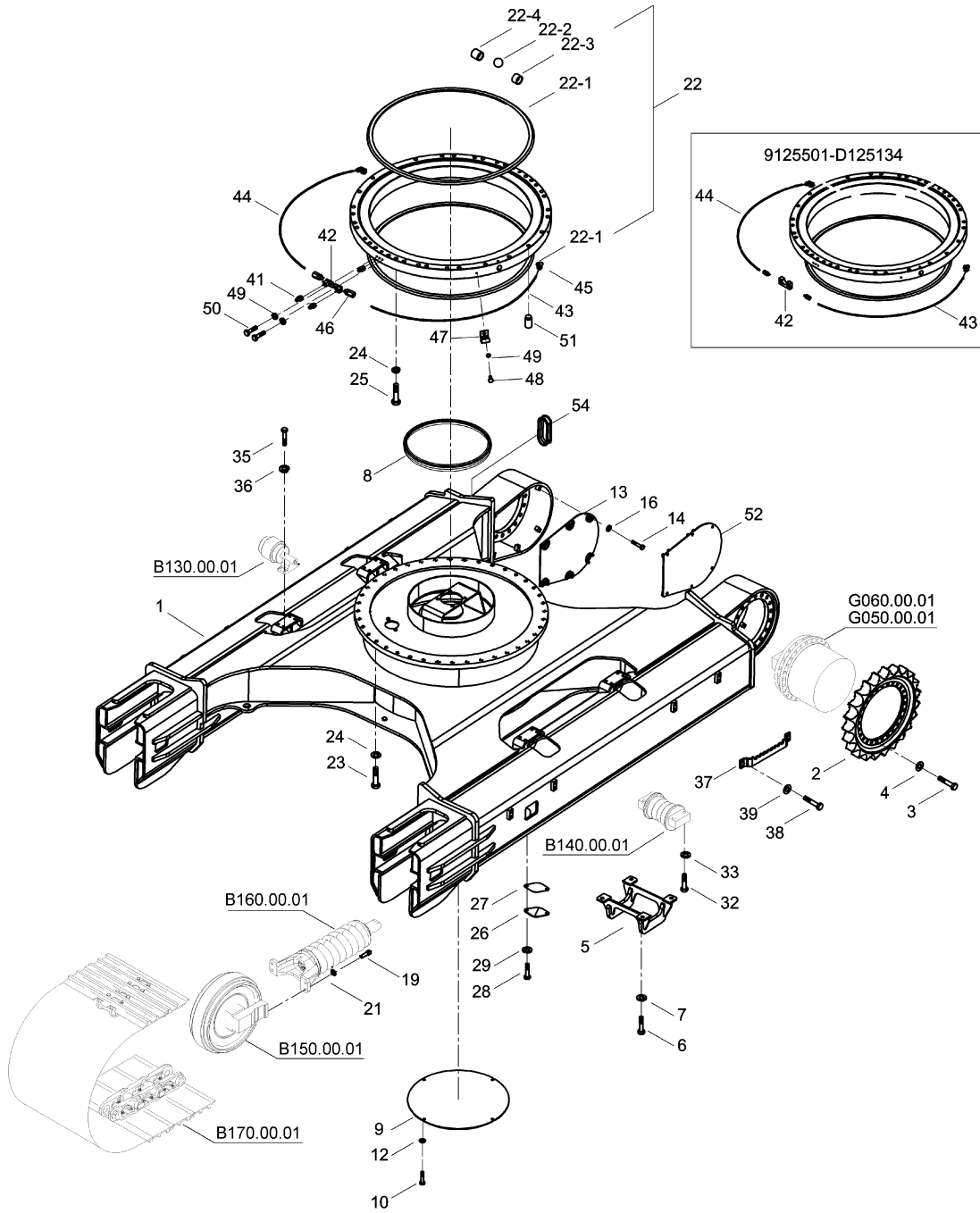
### ALT ŞASI MONTAJI (TİP A) LOWER FRAME MOUNTING (TYPE A)



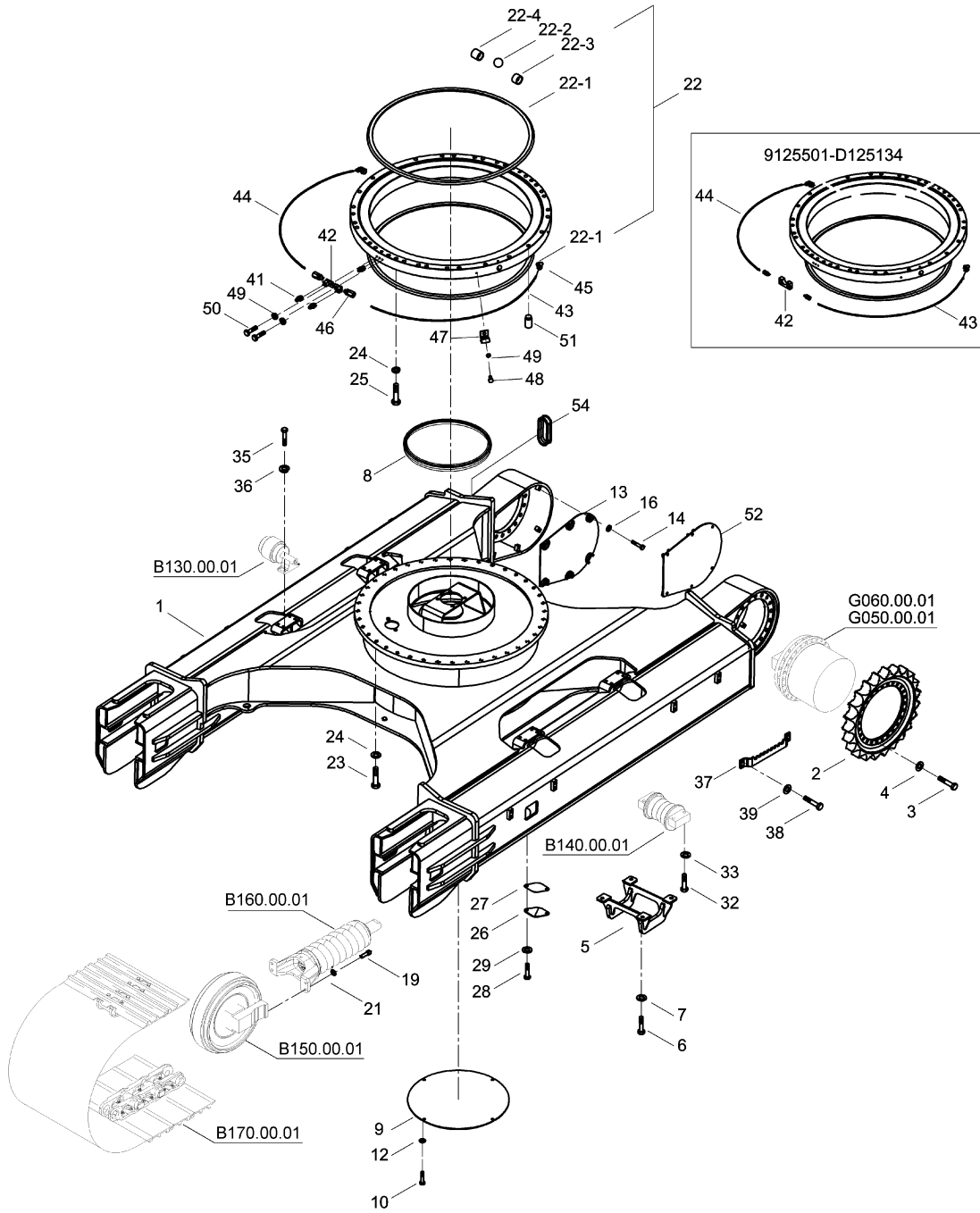
### ALT ŞAŞI MONTAJI (TİP A) LOWER FRAME MOUNTING (TYPE A)



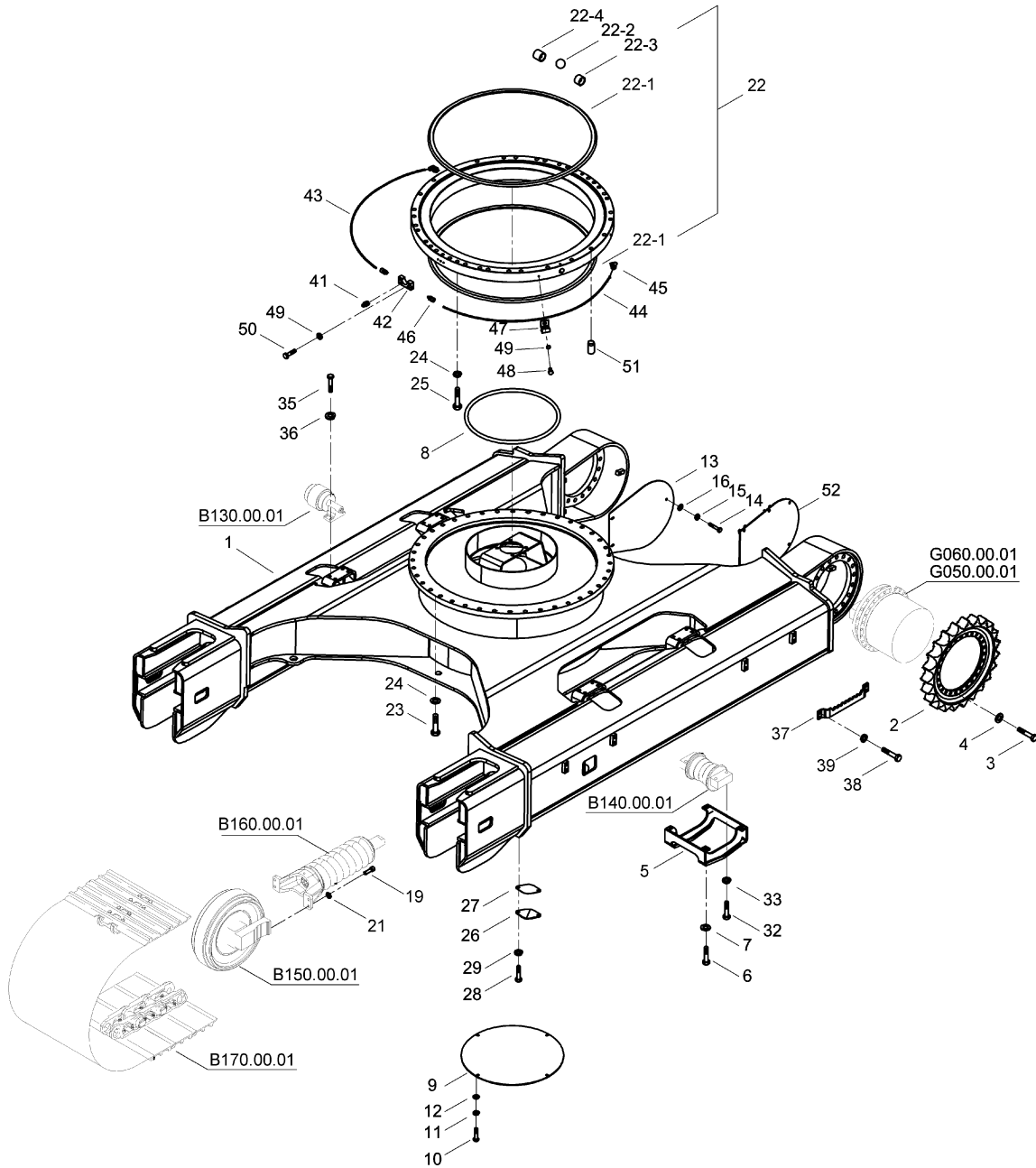
### ALT ŞAŞI MONTAJI (TİP A) LOWER FRAME MOUNTING (TYPE A)



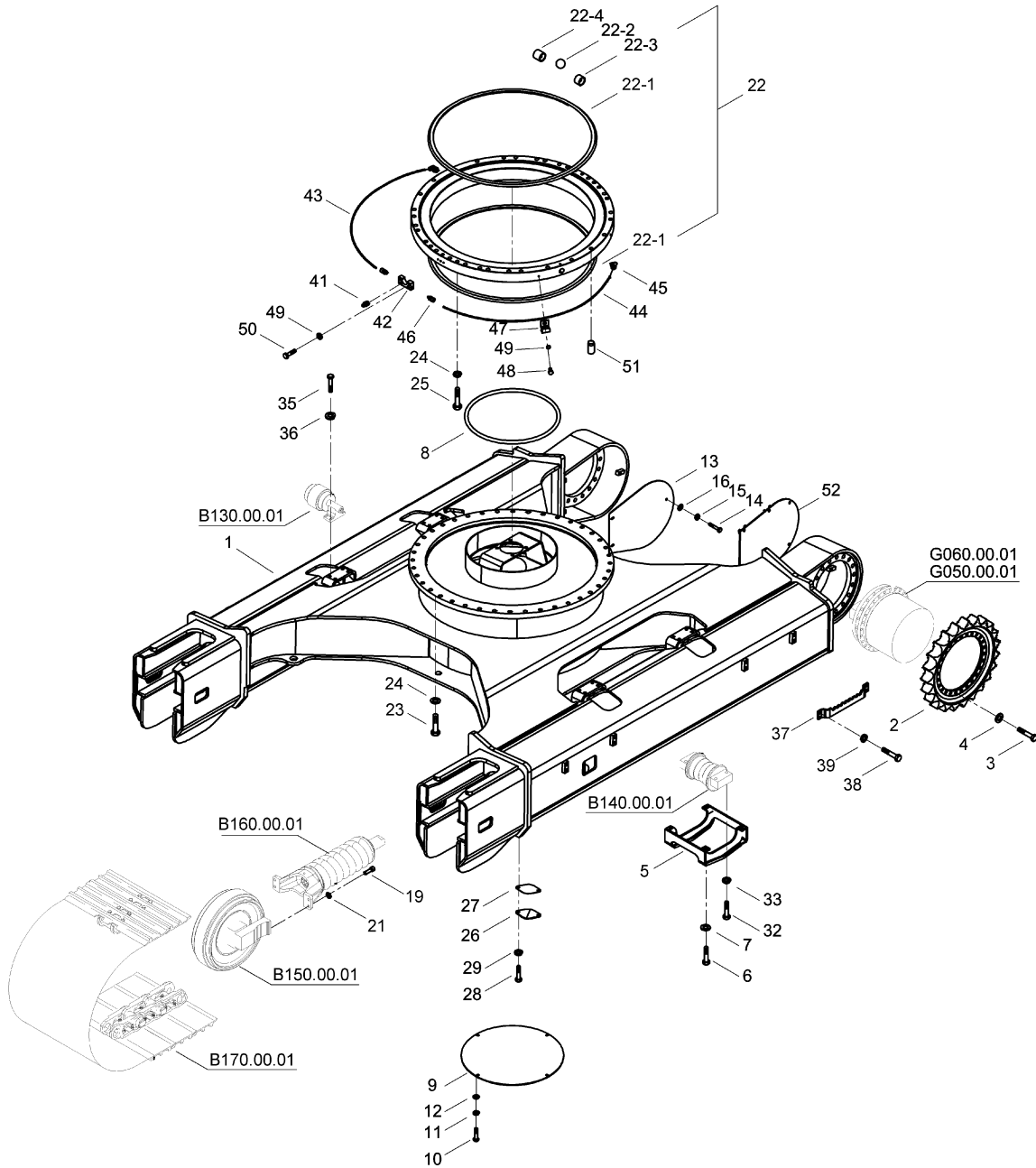
### ALT ŞAŞI MONTAJI (TİP A) LOWER FRAME MOUNTING (TYPE A)



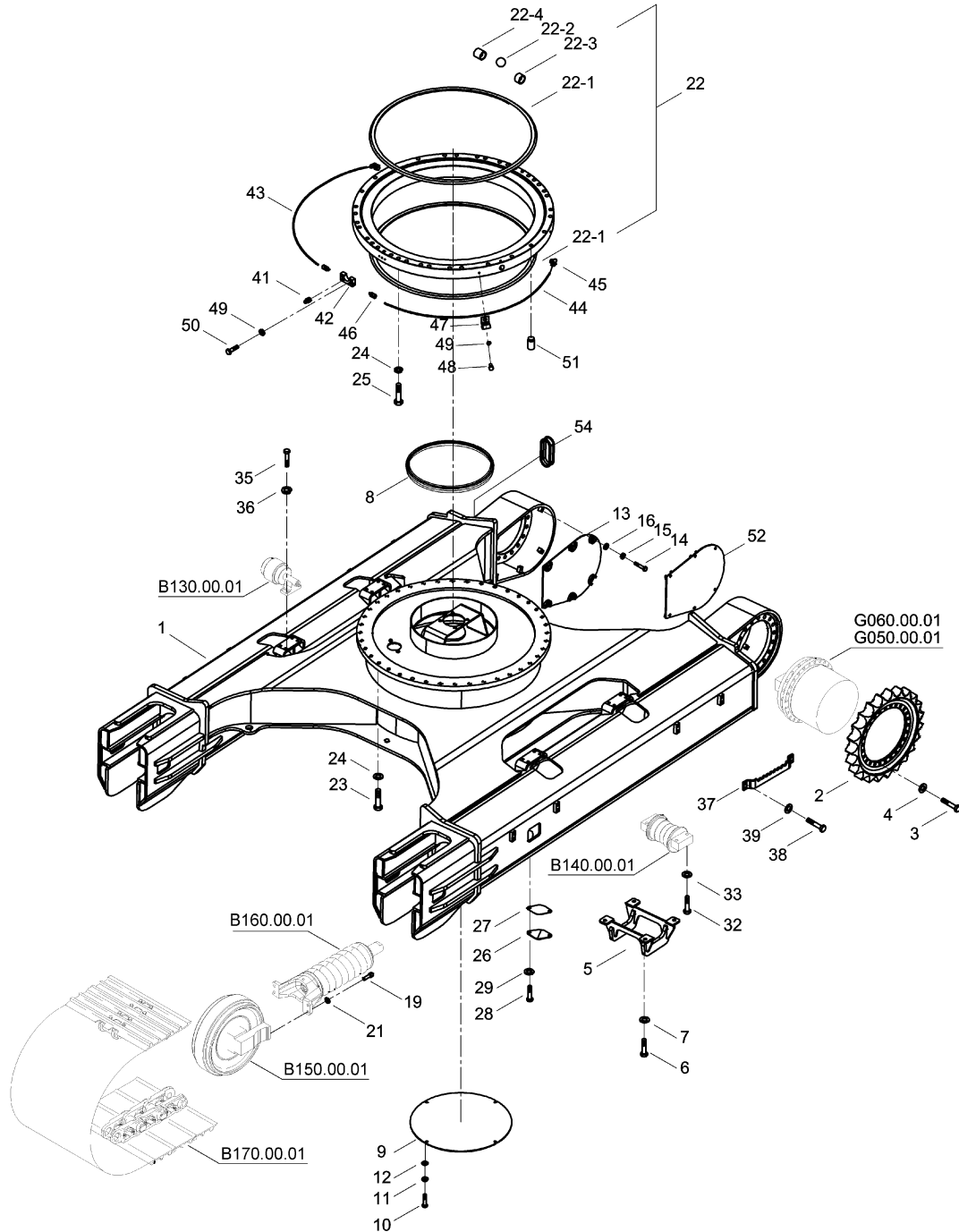
**ALT ŞAŞI MONTAJI (TİP B)**  
**LOWER FRAME MOUNTING (TYPE B)**



**ALT ŞAŞI MONTAJI (TİP B)**  
**LOWER FRAME MOUNTING (TYPE B)**

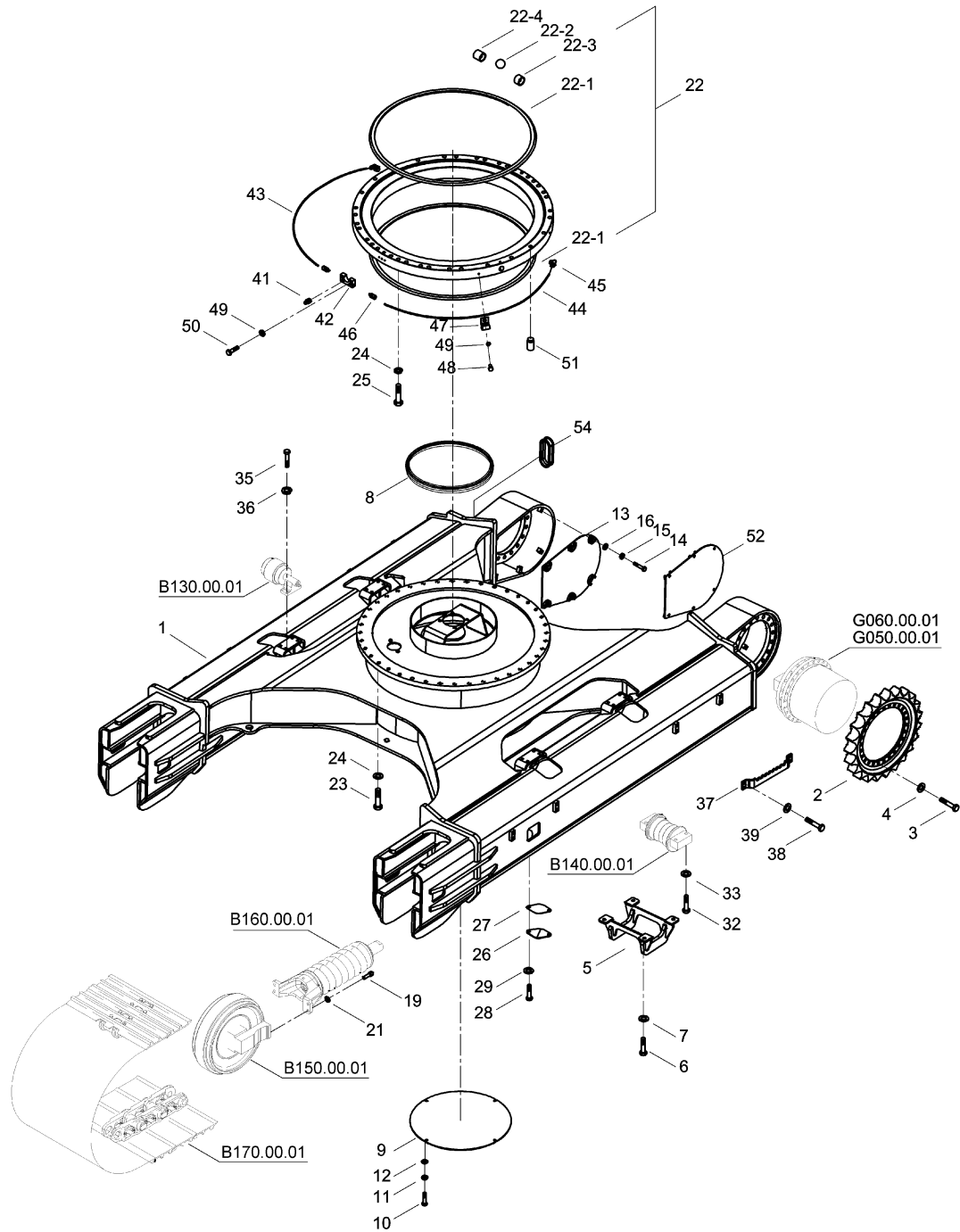


### ALT ŞASI MONTAJI (TİP B) LOWER FRAME MOUNTING (TYPE B)

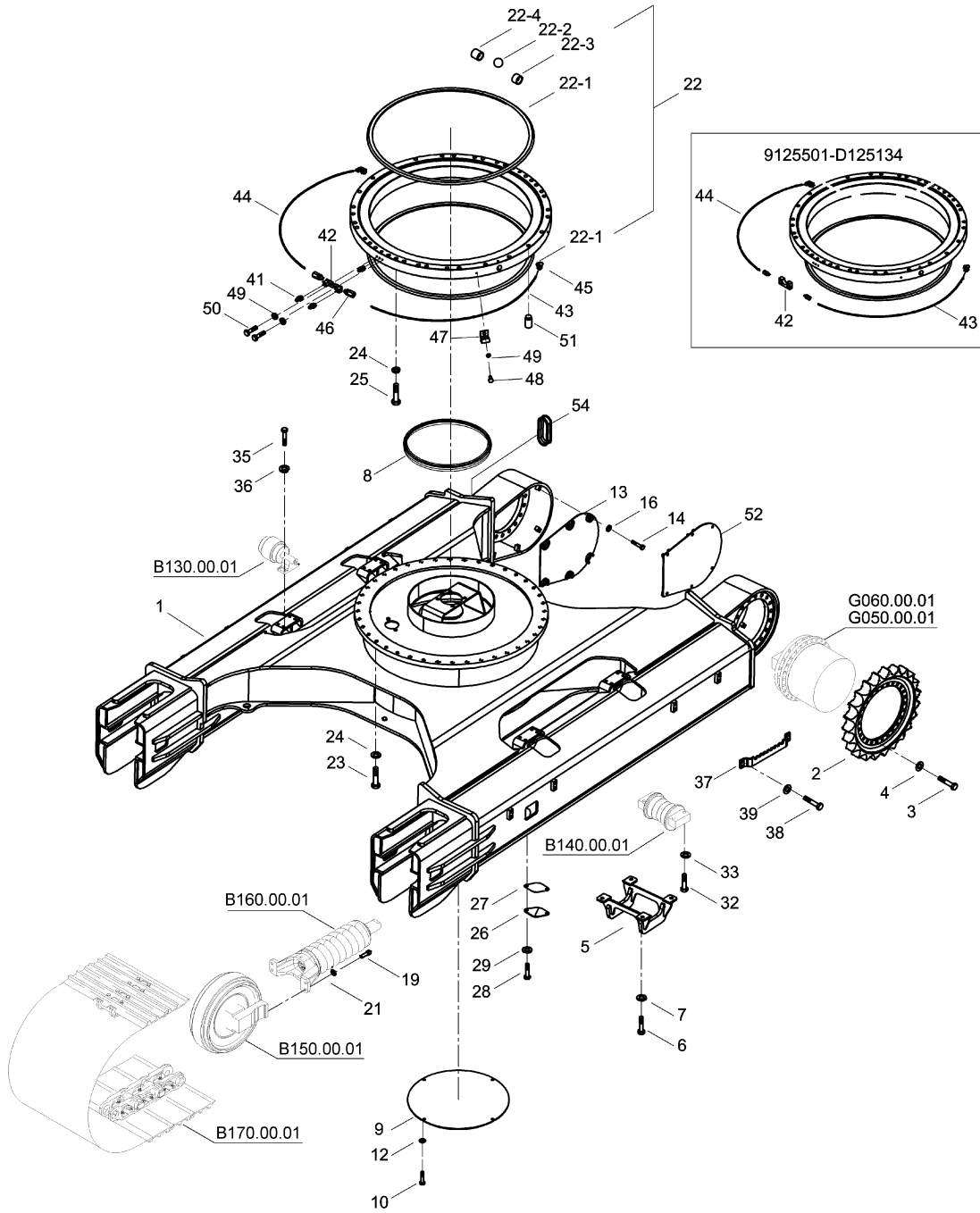




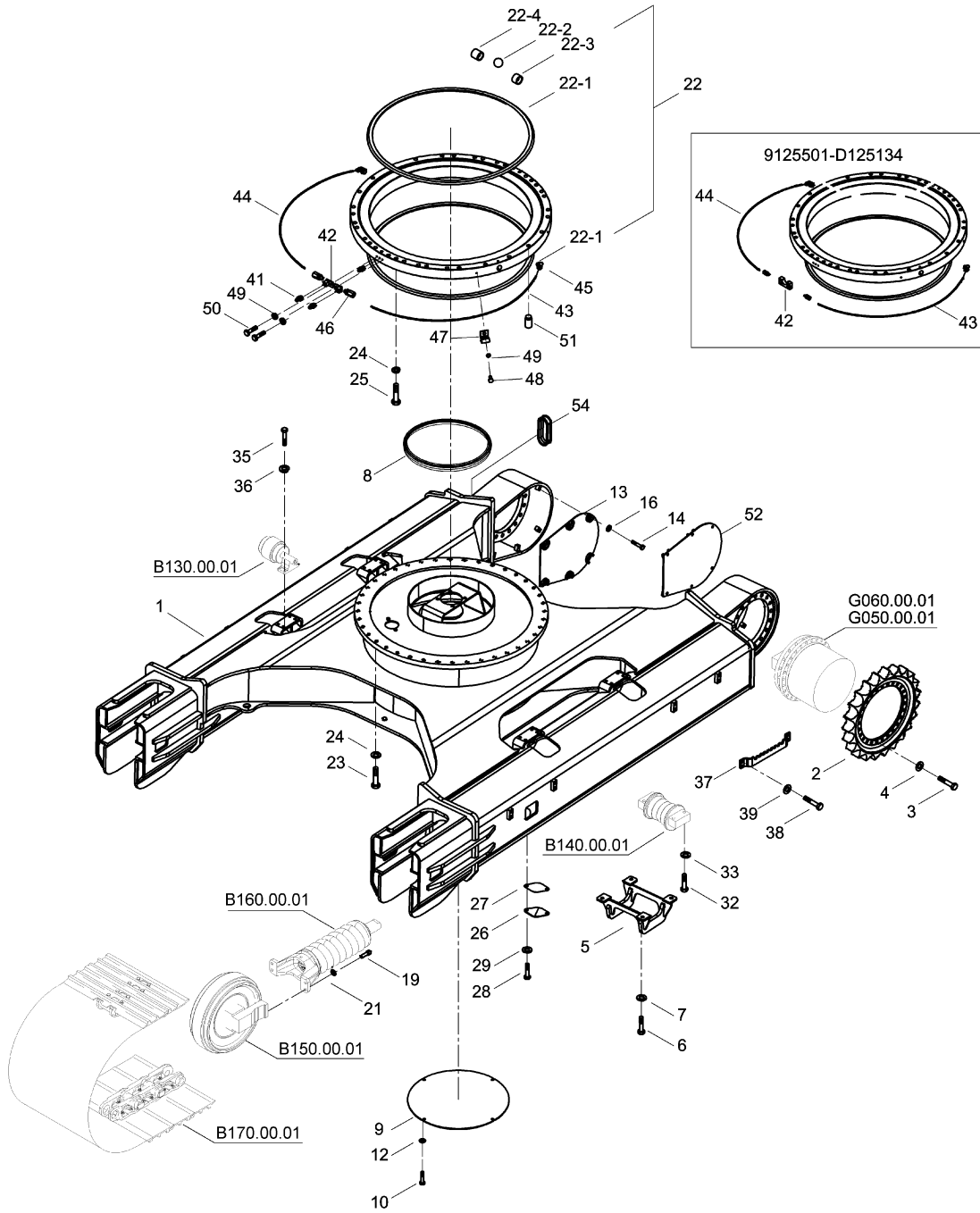
**ALT ŞASI MONTAJI (TİP B)**  
**LOWER FRAME MOUNTING (TYPE B)**



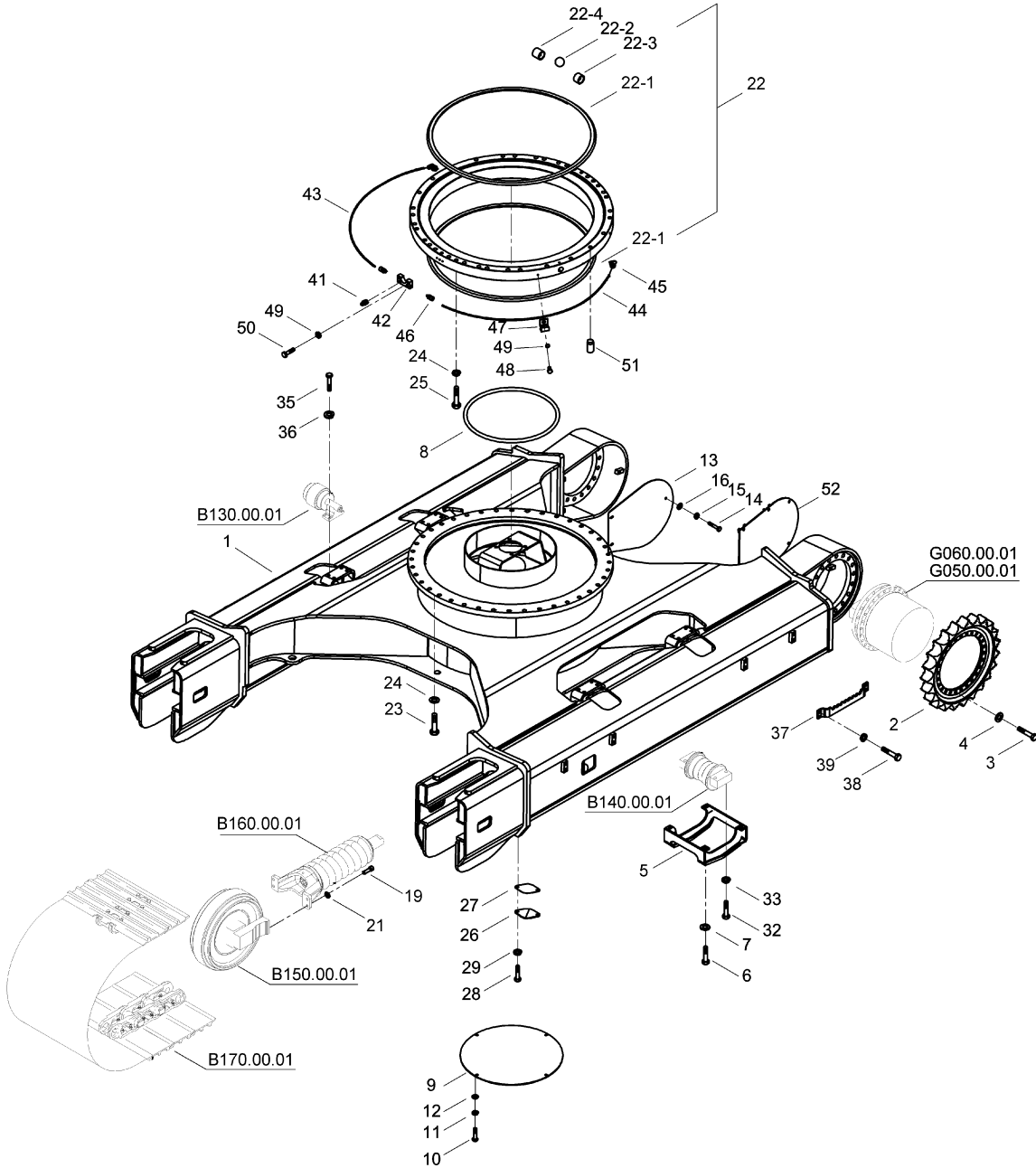
### ALT ŞAŞI MONTAJI (TİP B) LOWER FRAME MOUNTING (TYPE B)



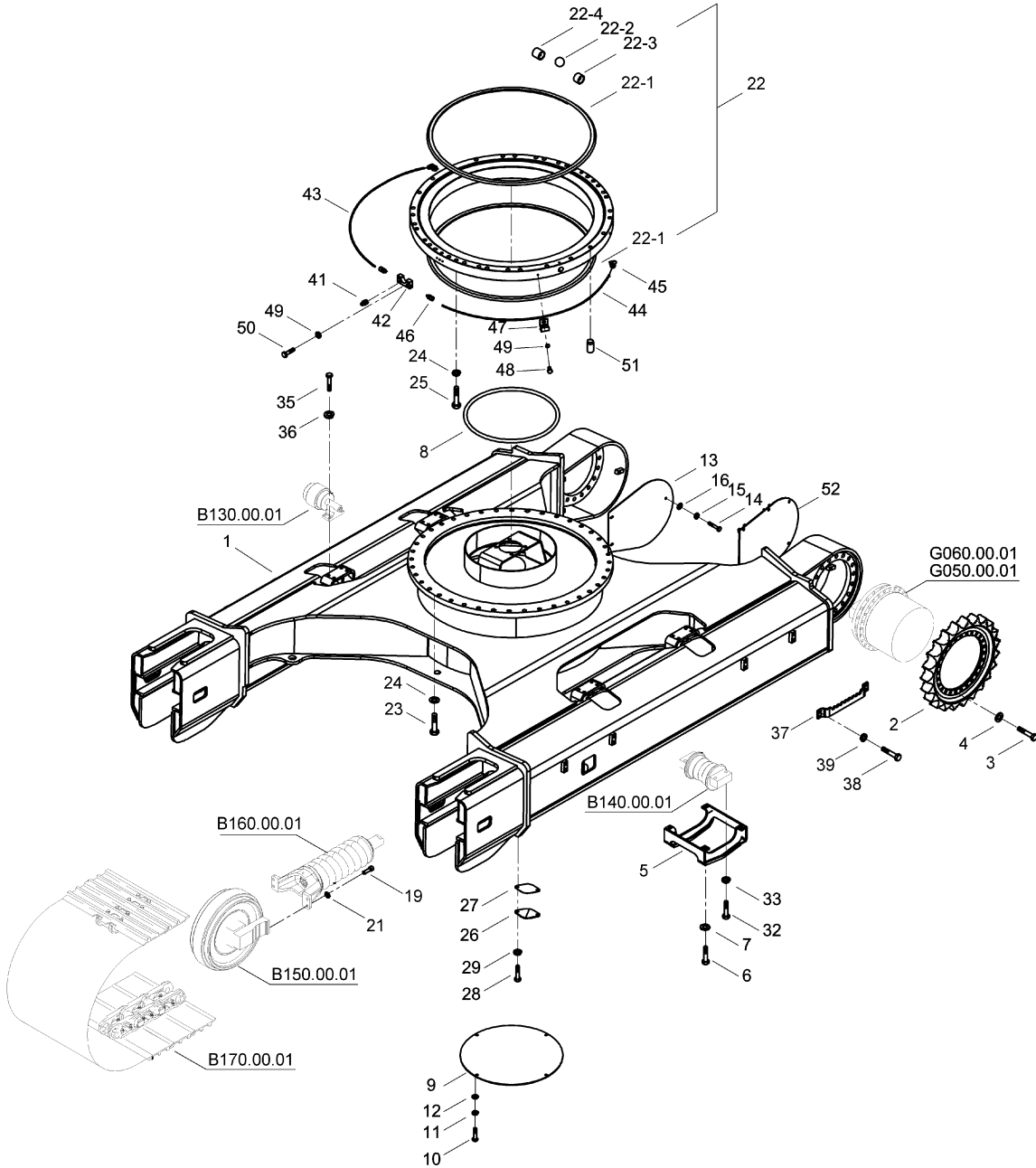
### ALT ŞAŞI MONTAJI (TİP B) LOWER FRAME MOUNTING (TYPE B)



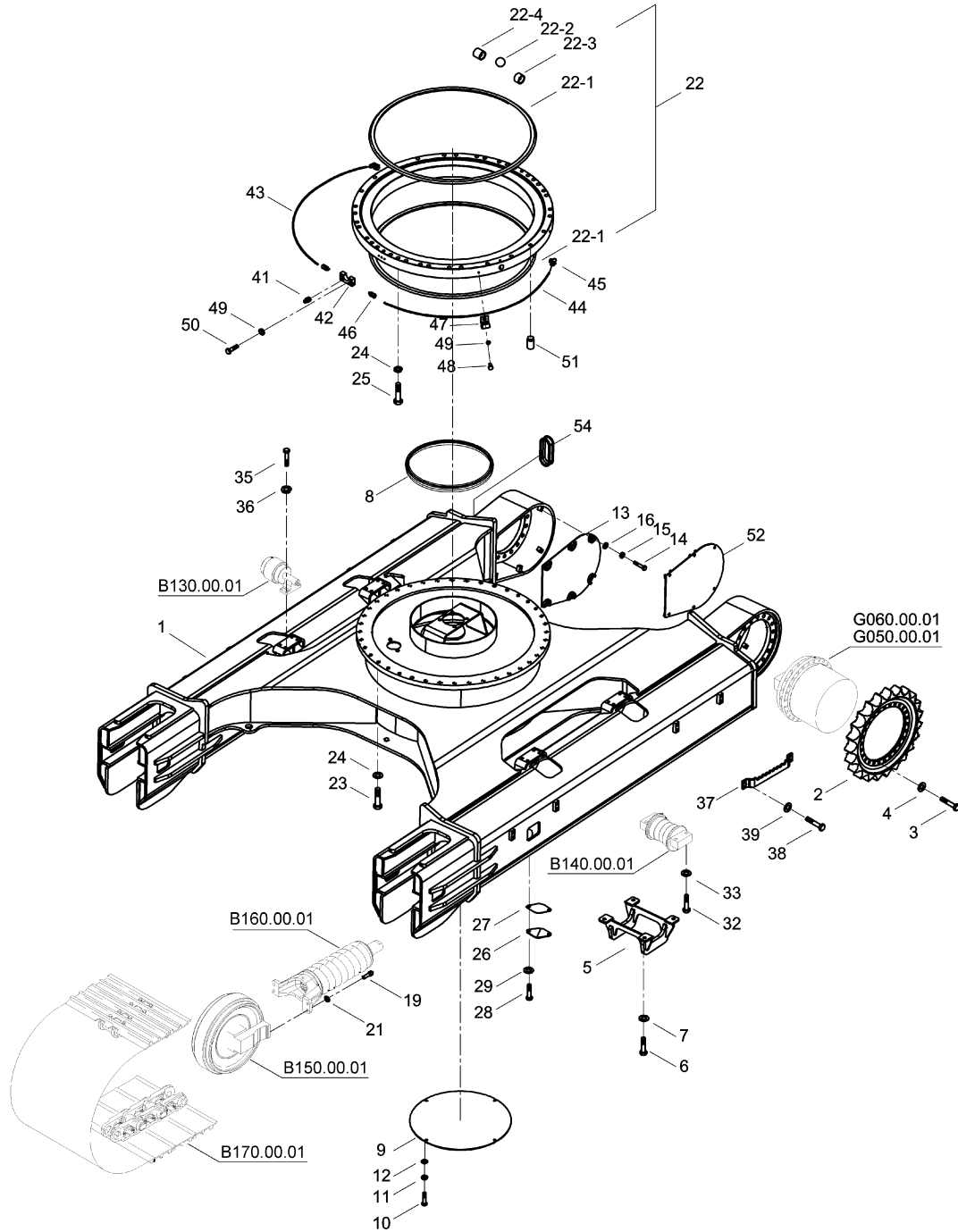
### ALT ŞAŞI MONTAJI (TİP C) LOWER FRAME MOUNTING (TYPE C)



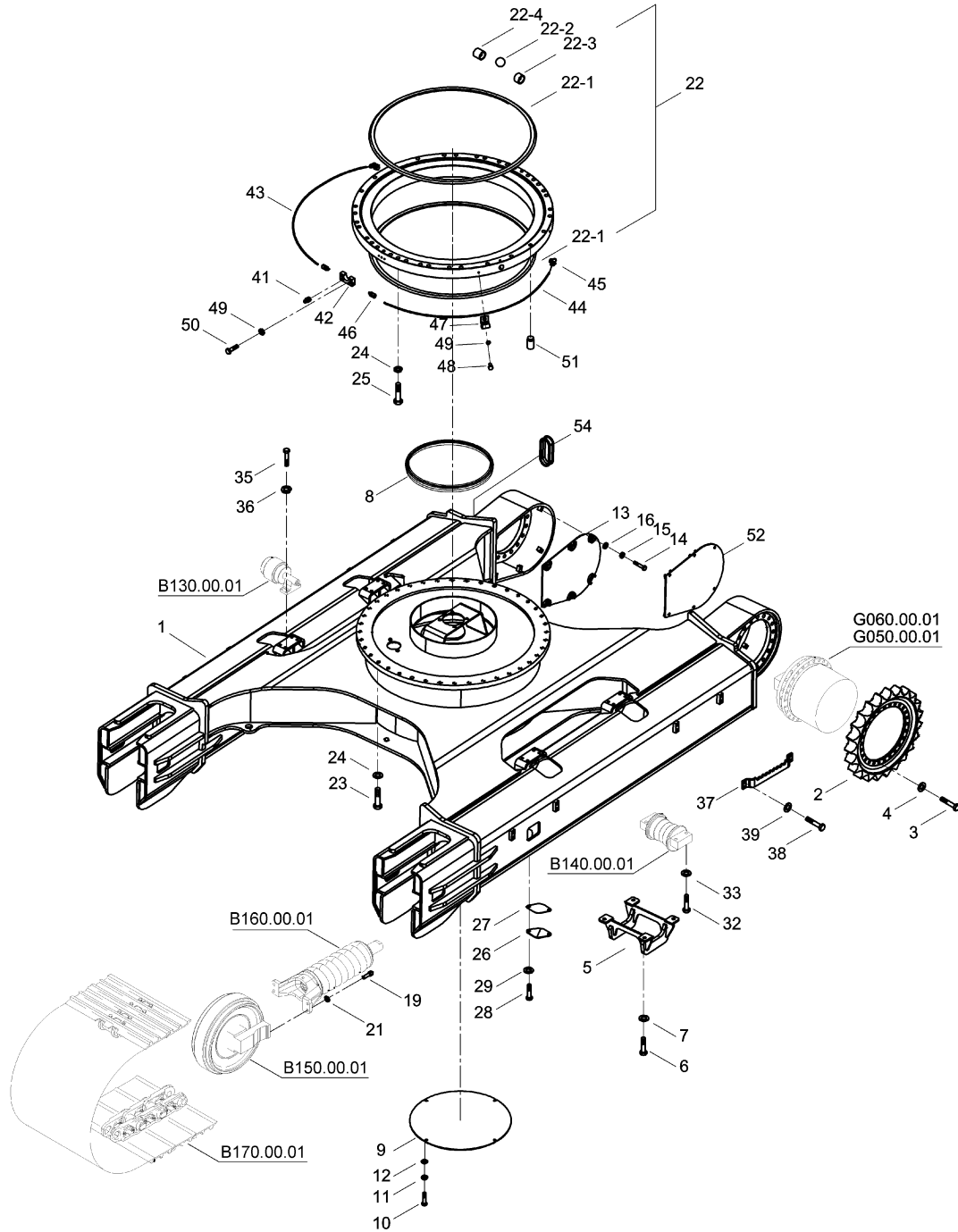
### ALT ŞAŞI MONTAJI (TİP C) LOWER FRAME MOUNTING (TYPE C)



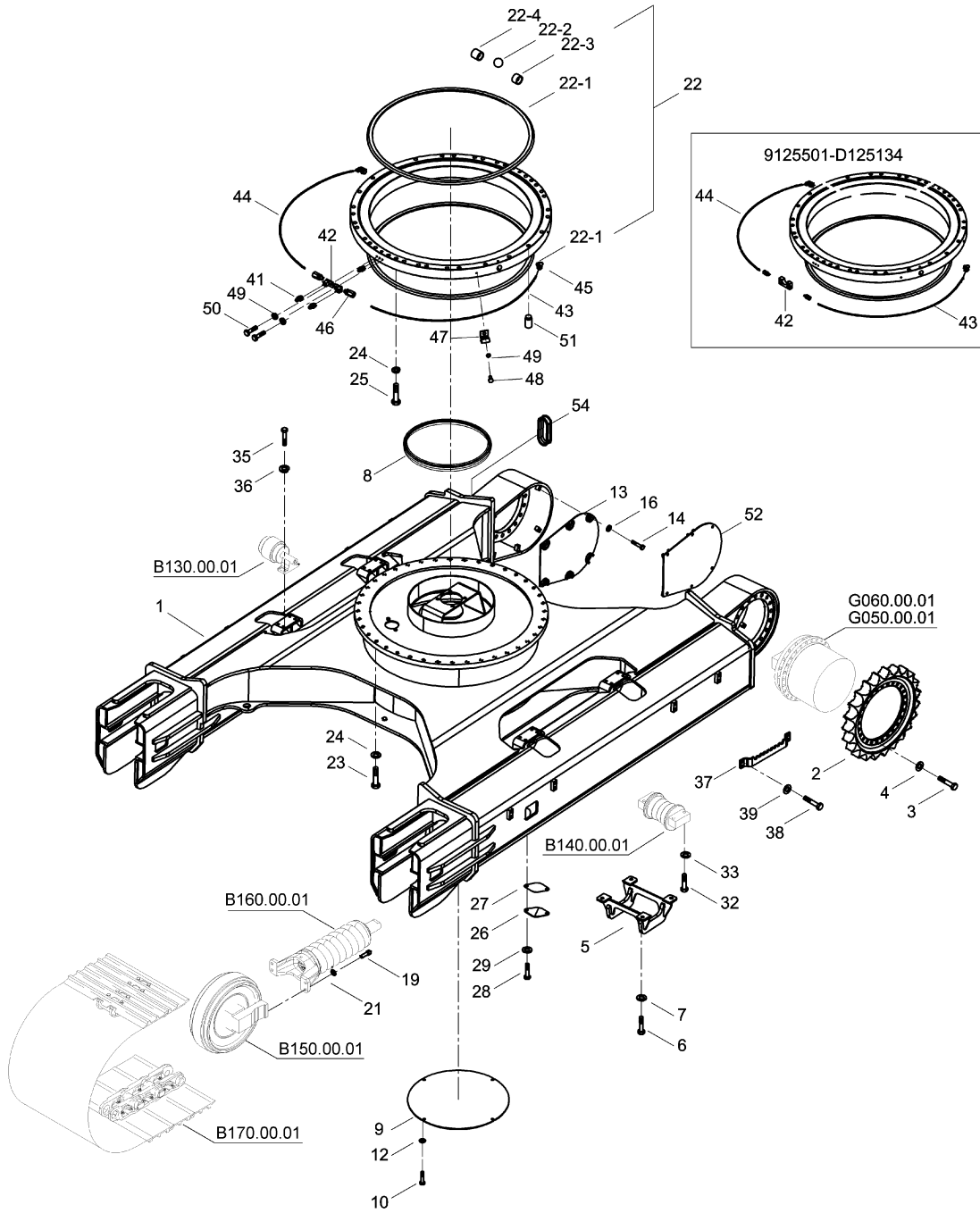
**ALT ŞASI MONTAJI (TİP C)**  
**LOWER FRAME MOUNTING (TYPE C)**



### ALT ŞASI MONTAJI (TİP C) LOWER FRAME MOUNTING (TYPE C)

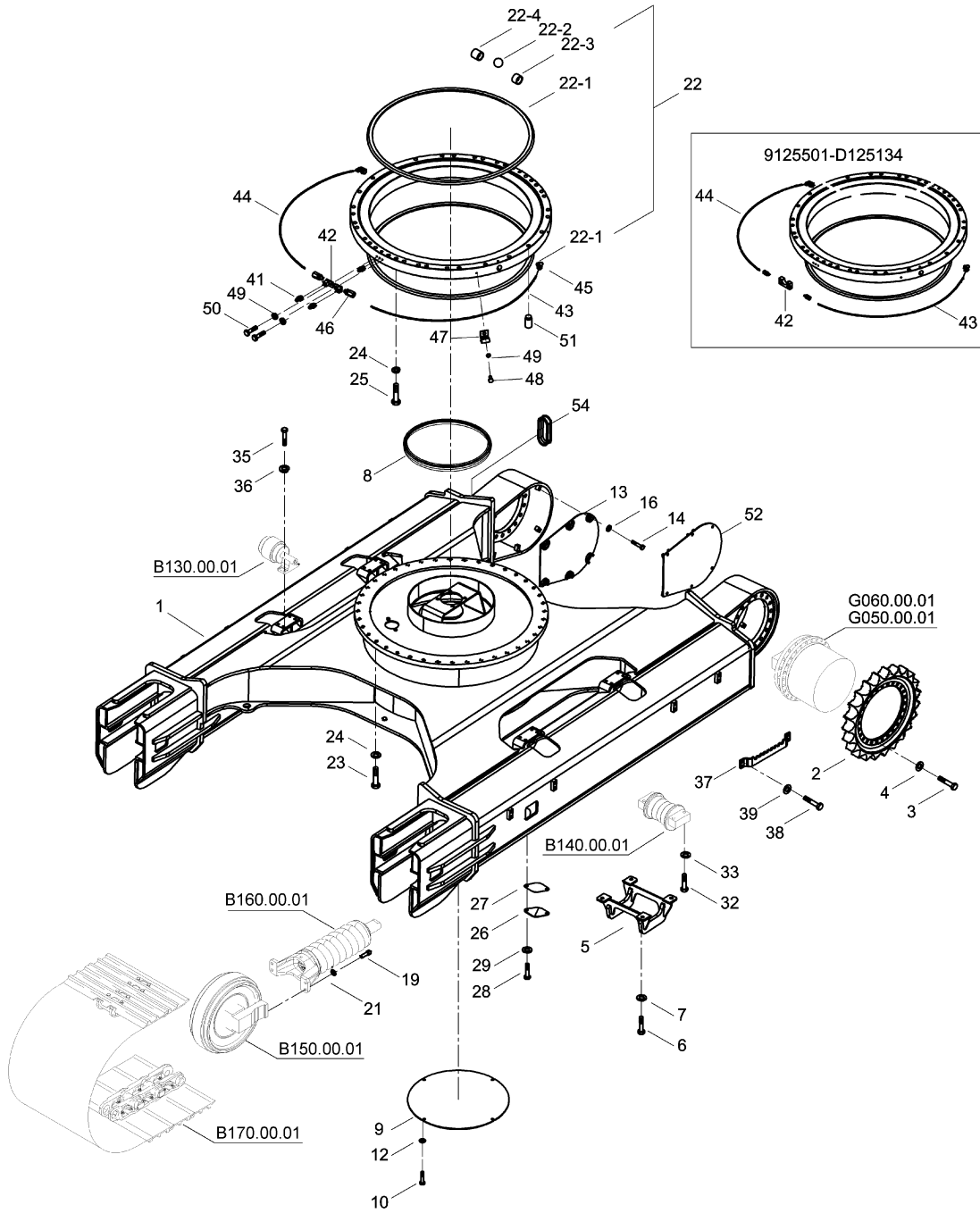


### ALT ŞASI MONTAJI (TİP C) LOWER FRAME MOUNTING (TYPE C)

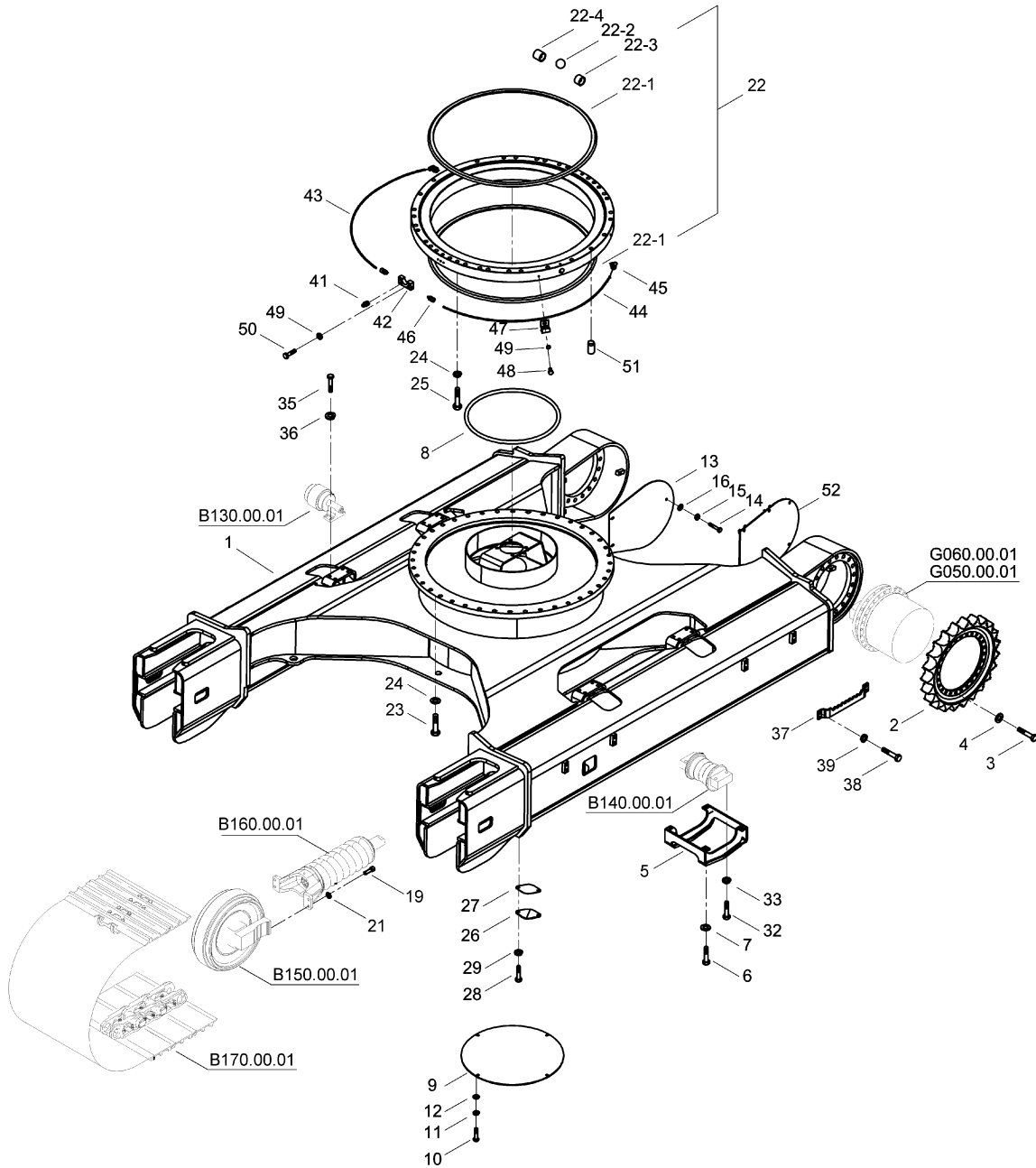




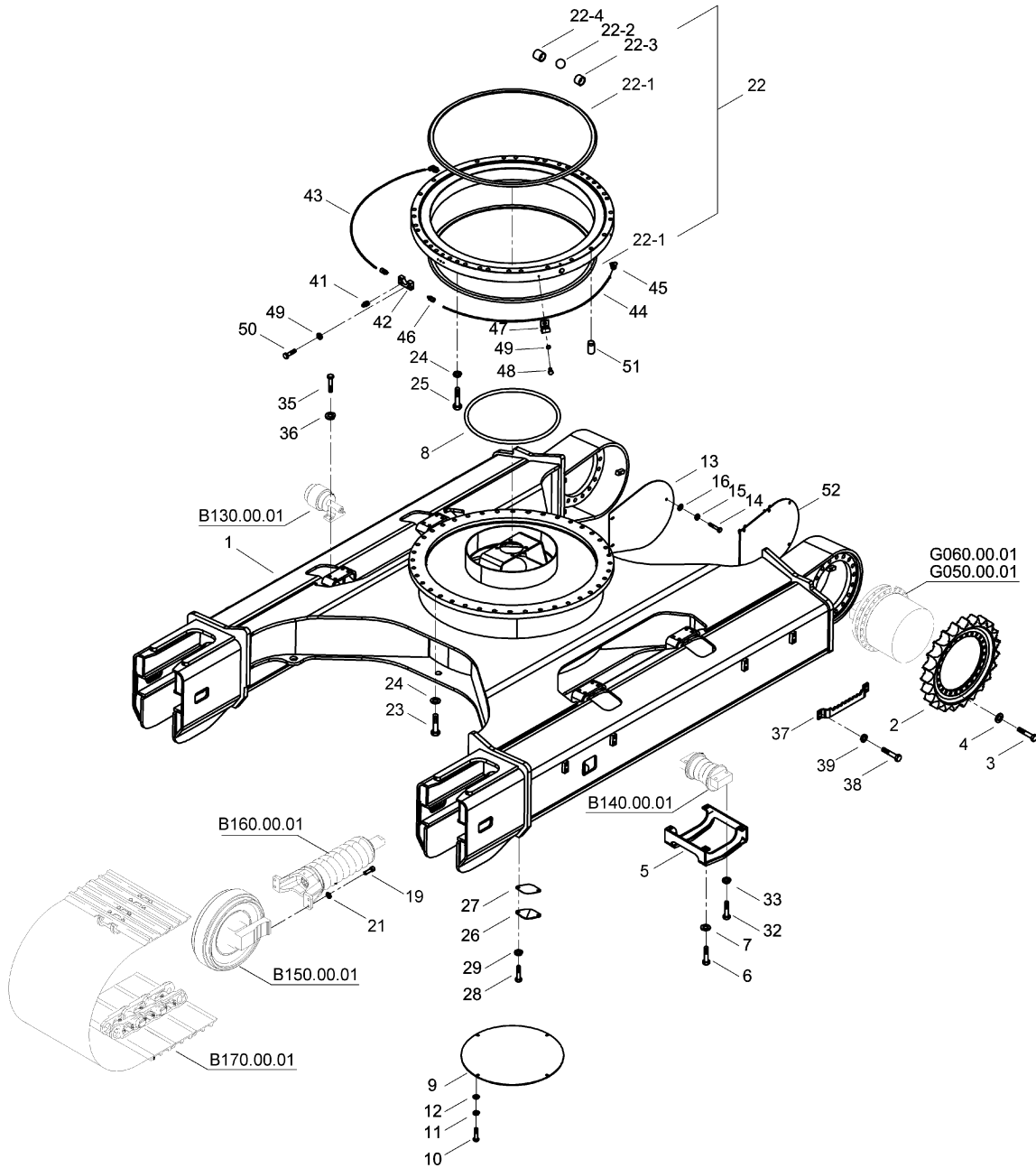
### ALT ŞASI MONTAJI (TİP C) LOWER FRAME MOUNTING (TYPE C)



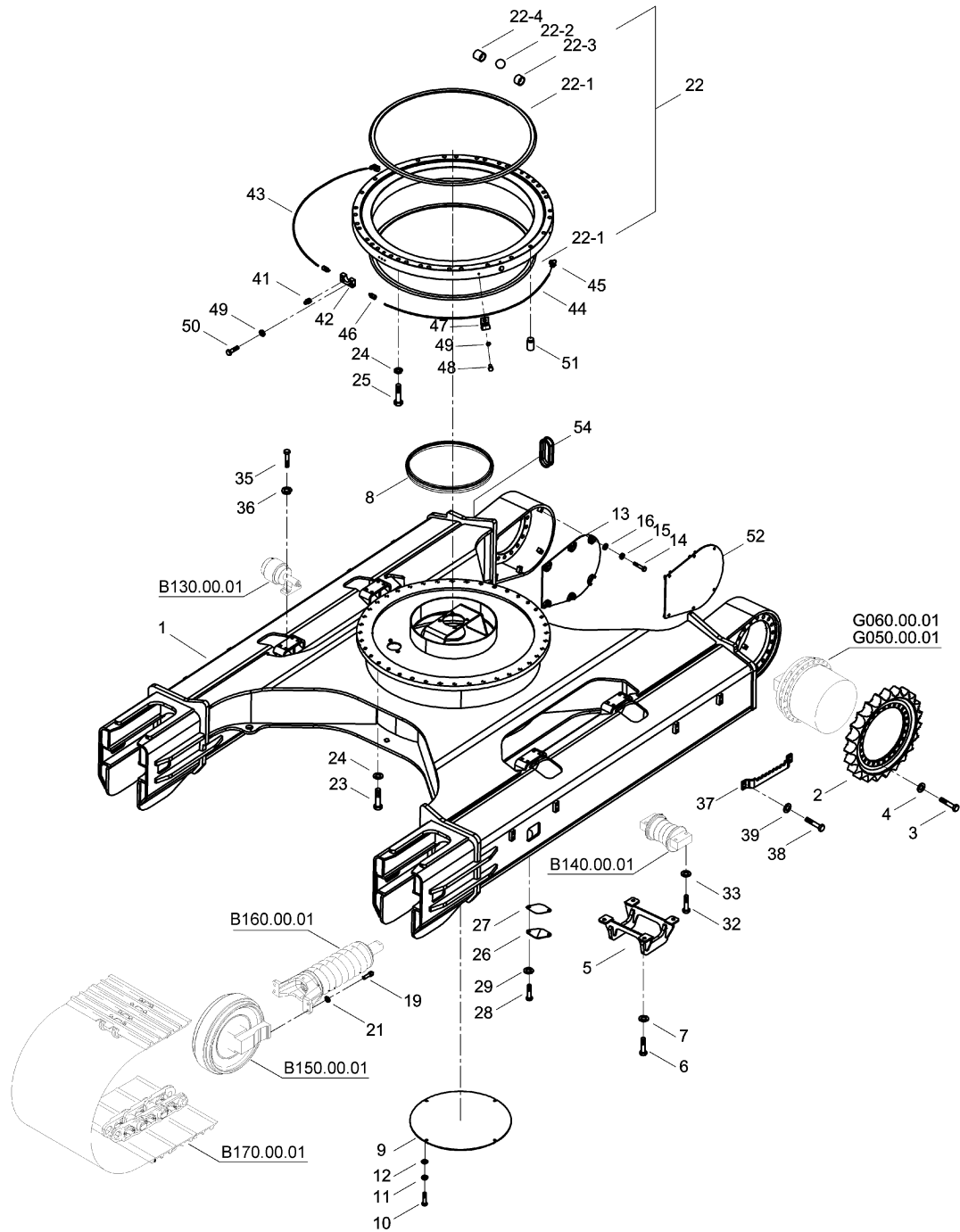
**ALT ŞAŞI MONTAJI (TİP D)**  
**LOWER FRAME MOUNTING (TYPE D)**



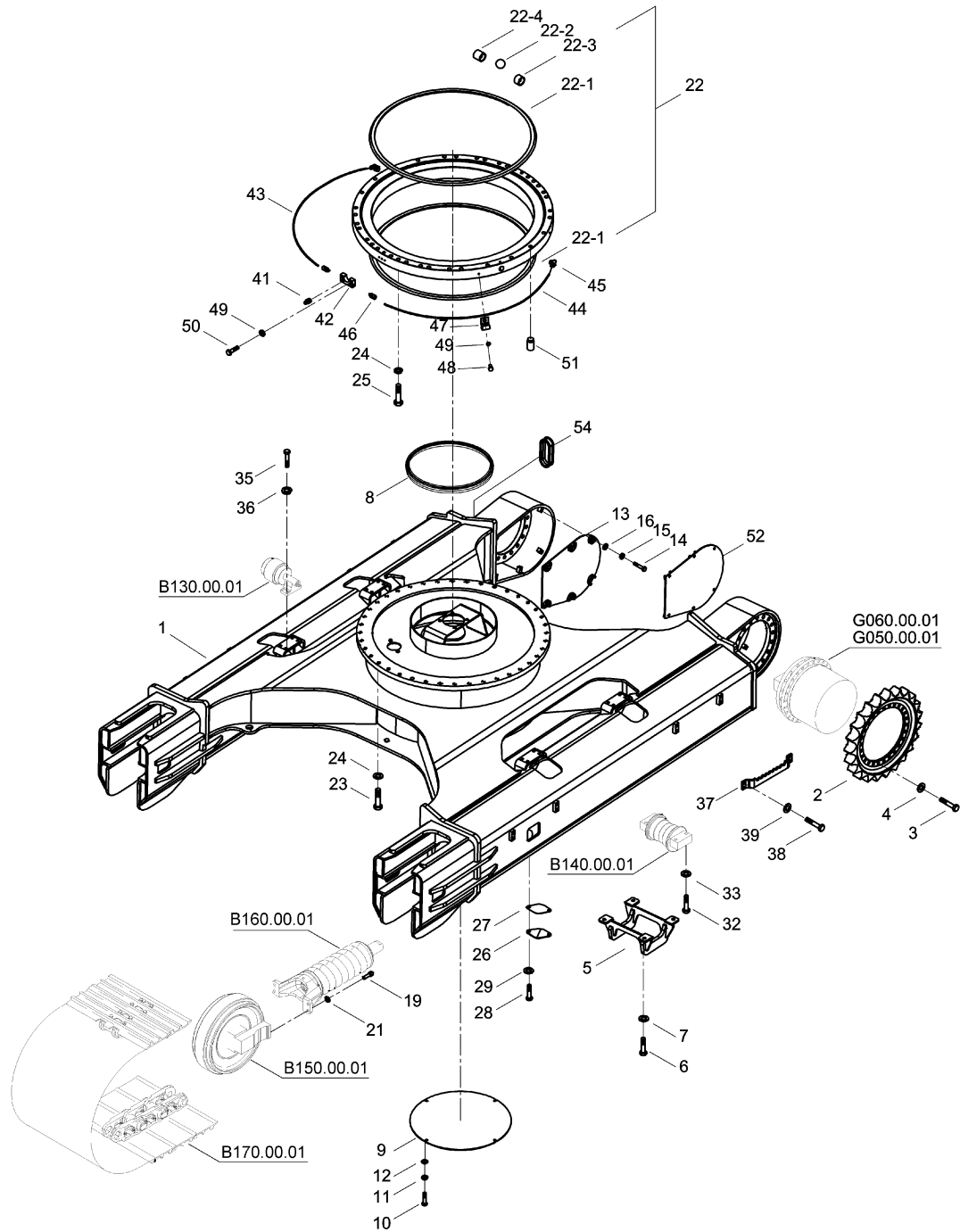
**ALT ŞASI MONTAJI (TİP D)**  
**LOWER FRAME MOUNTING (TYPE D)**



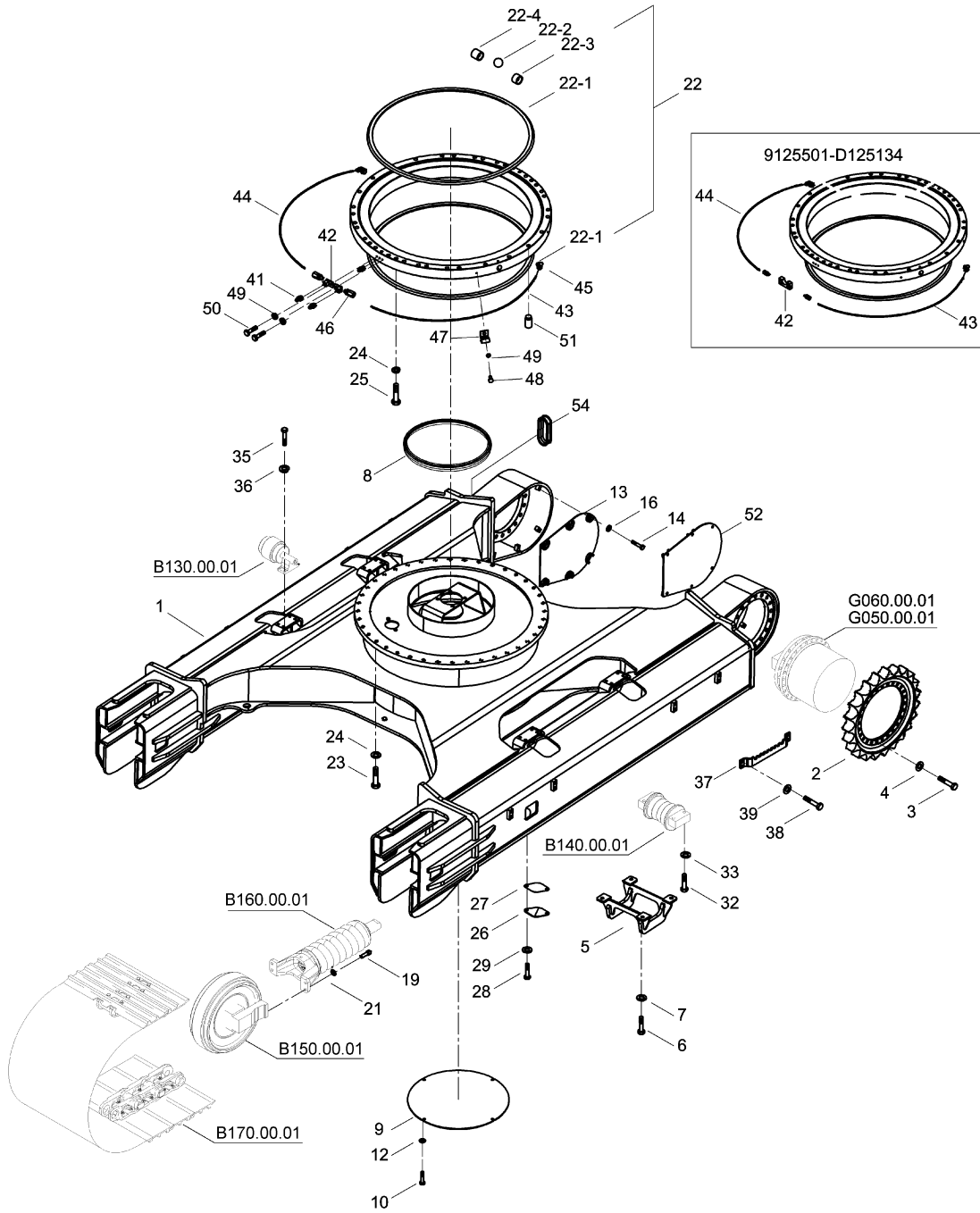
**ALT ŞAŞI MONTAJI (TİP D)**  
**LOWER FRAME MOUNTING (TYPE D)**



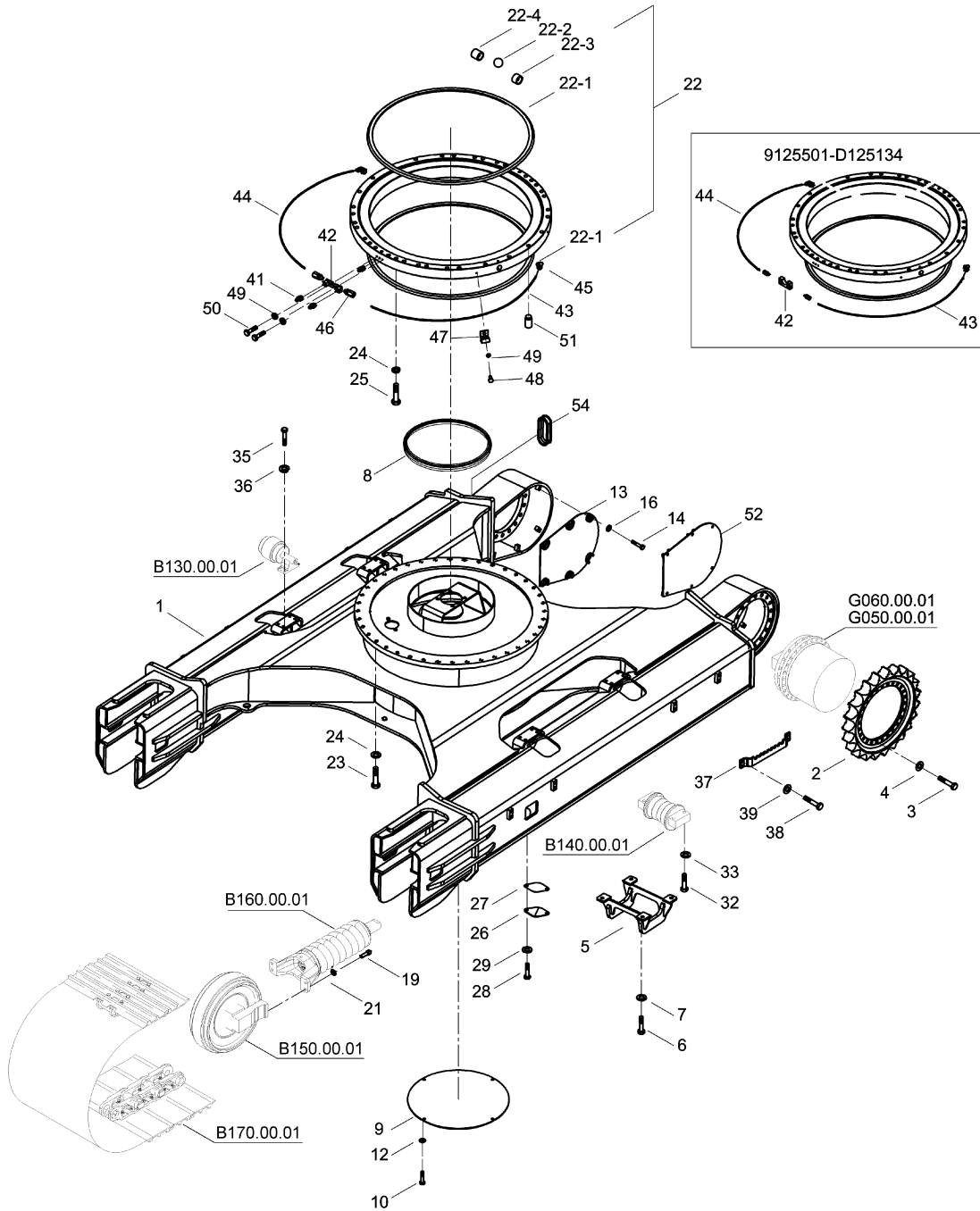
**ALT ŞAŞI MONTAJI (TİP D)**  
**LOWER FRAME MOUNTING (TYPE D)**



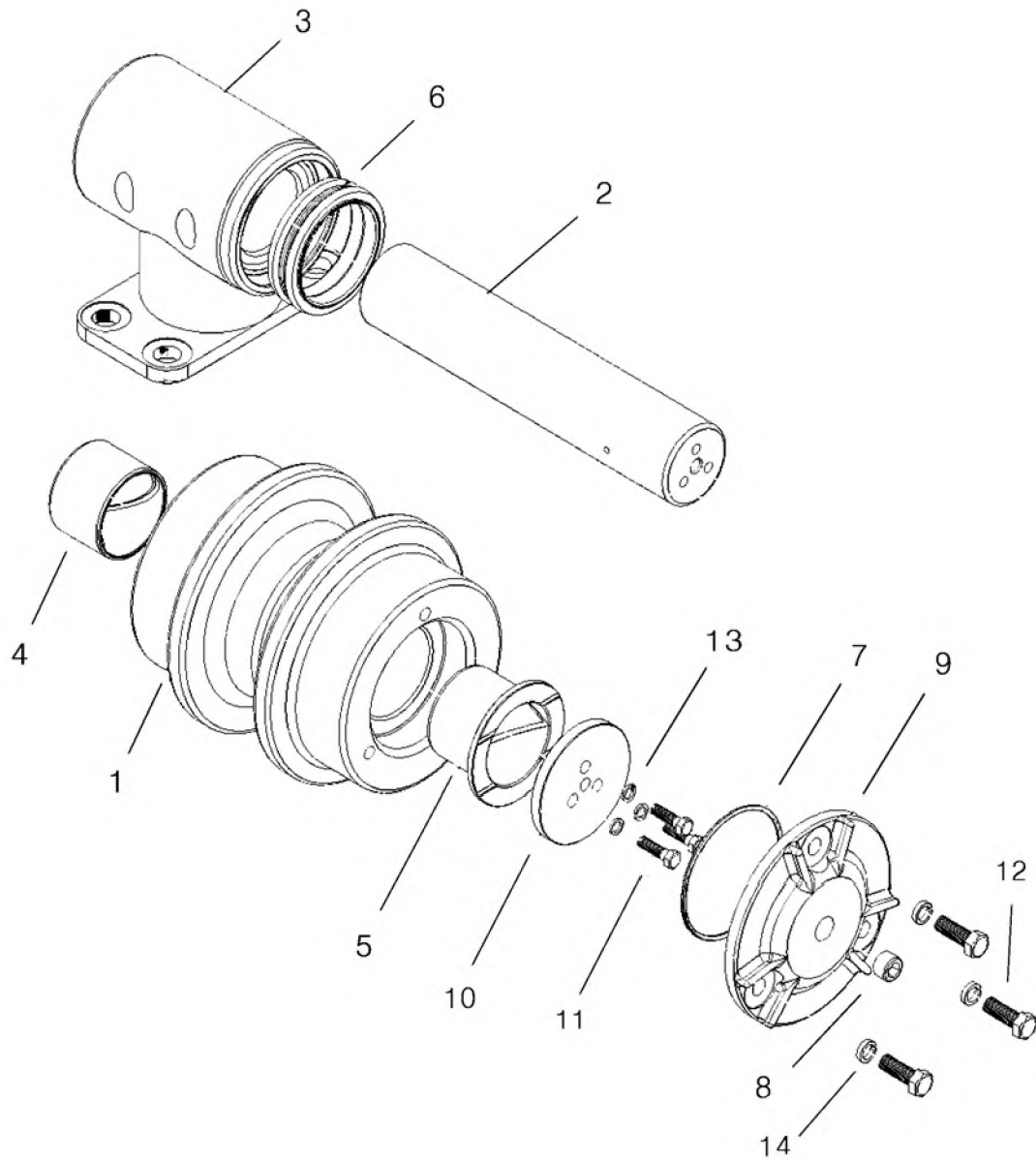
### ALT ŞAŞI MONTAJI (TİP D) LOWER FRAME MOUNTING (TYPE D)



### ALT ŞAŞI MONTAJI (TİP D) LOWER FRAME MOUNTING (TYPE D)

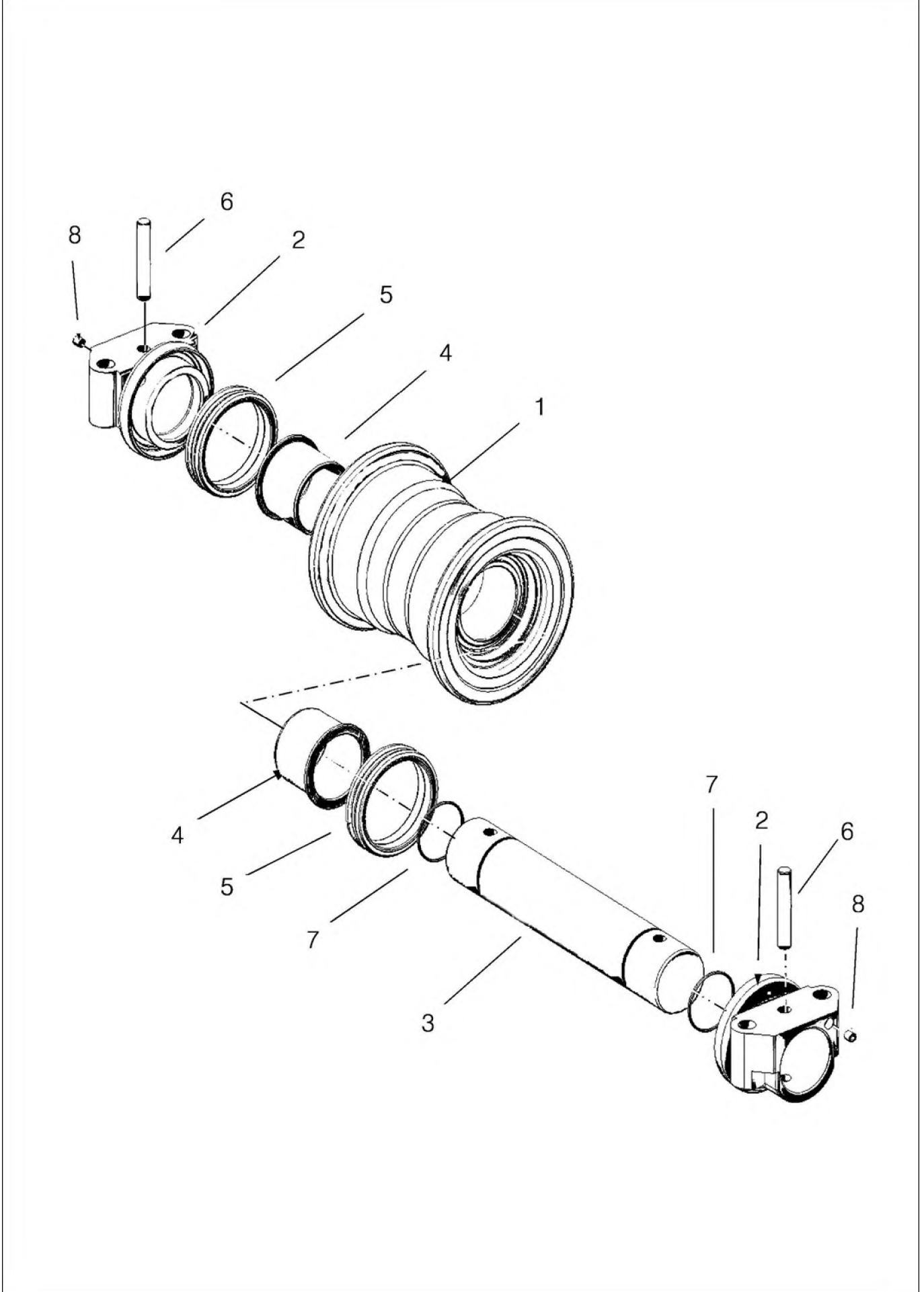


### TAŞIYICI MAKARA KOMPLESİ UPPER ROLLER ASS'Y

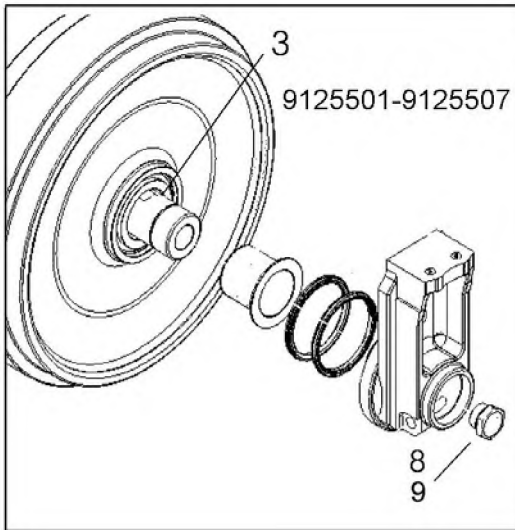
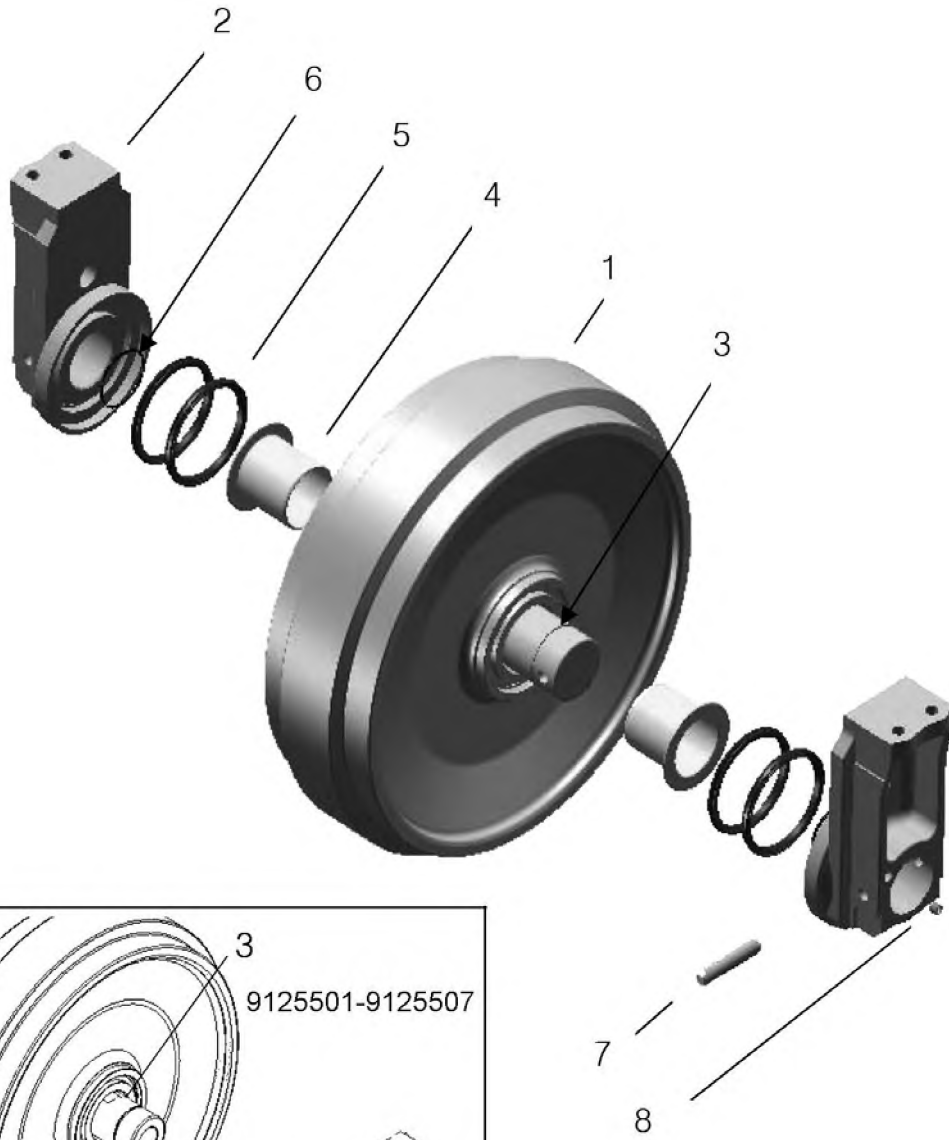




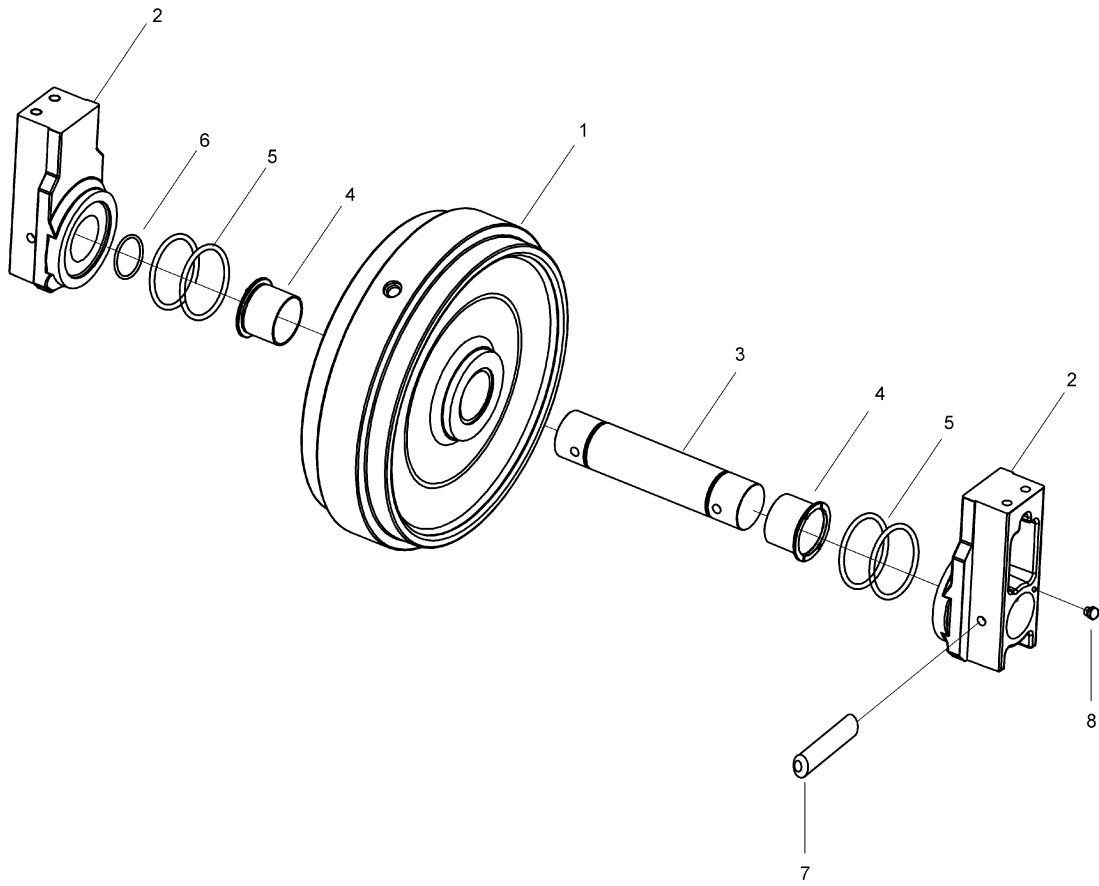
# YÜRÜYÜŞ MAKARASI KOMPLESİ LOWER ROLLER ASS'Y



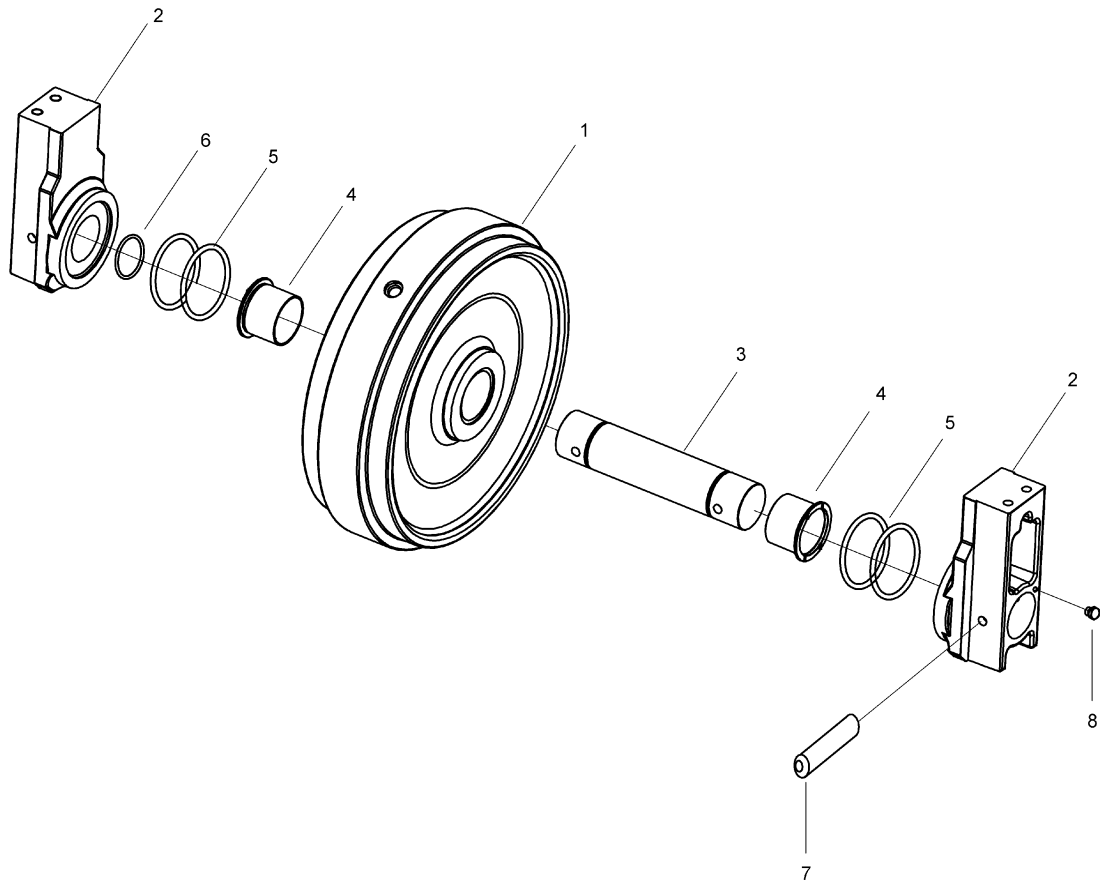
### İSTİKAMET TEKERİ KOMPLESİ IDLER ASS'Y



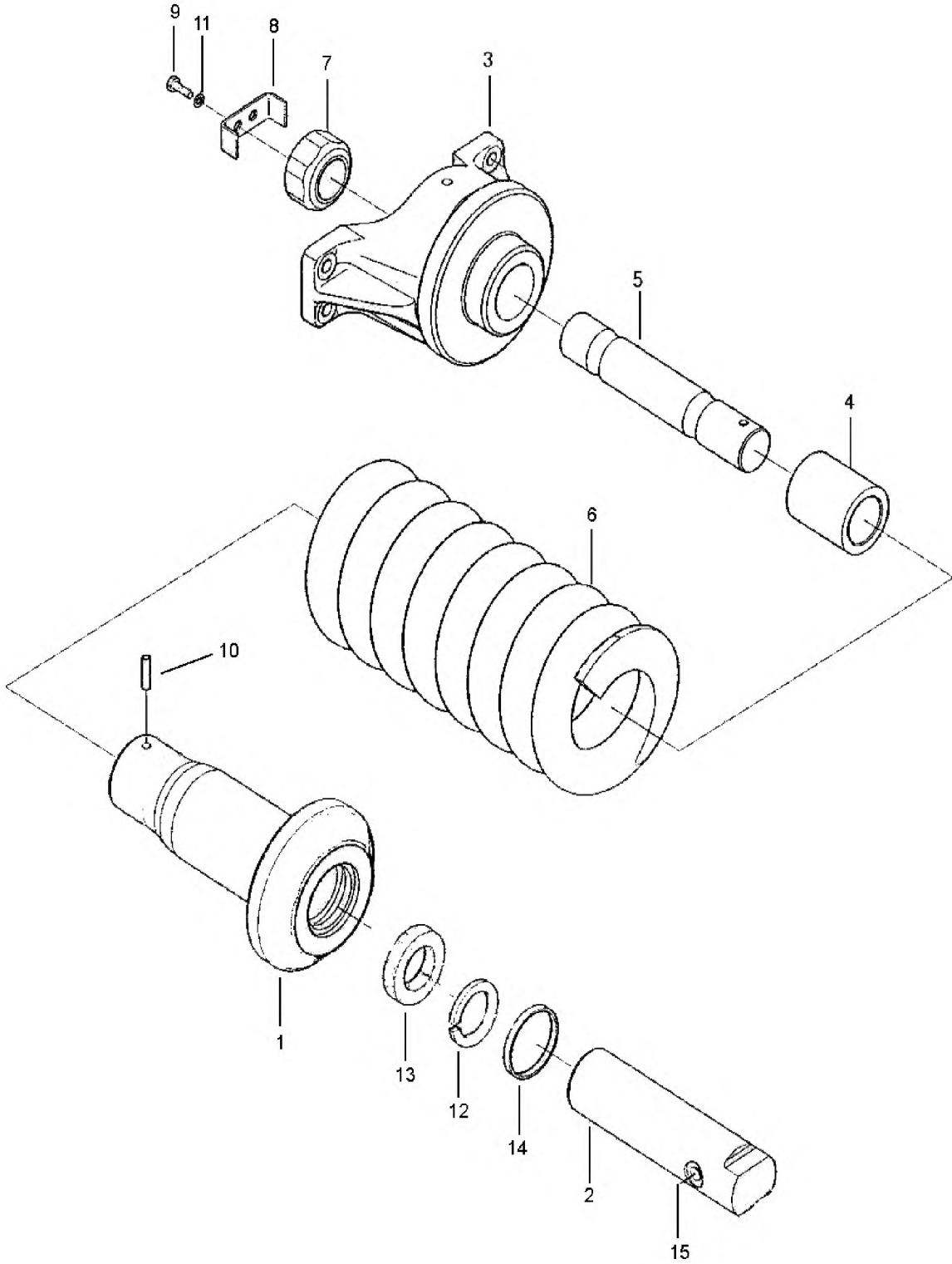
## İSTİKAMET TEKERİ KOMPLESİ IDLER ASS'Y



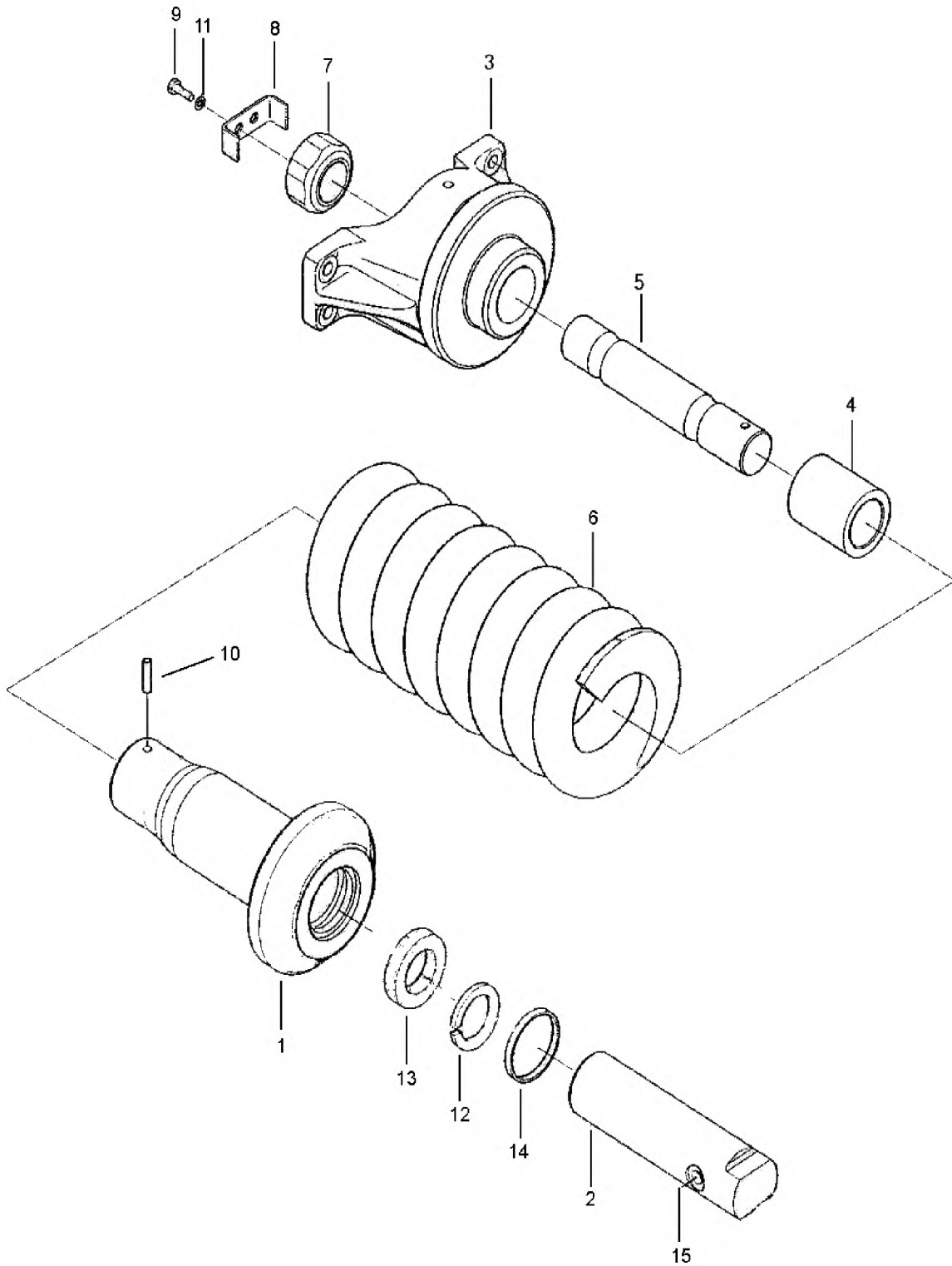
## İSTİKAMET TEKERİ KOMPLESİ IDLER ASS'Y



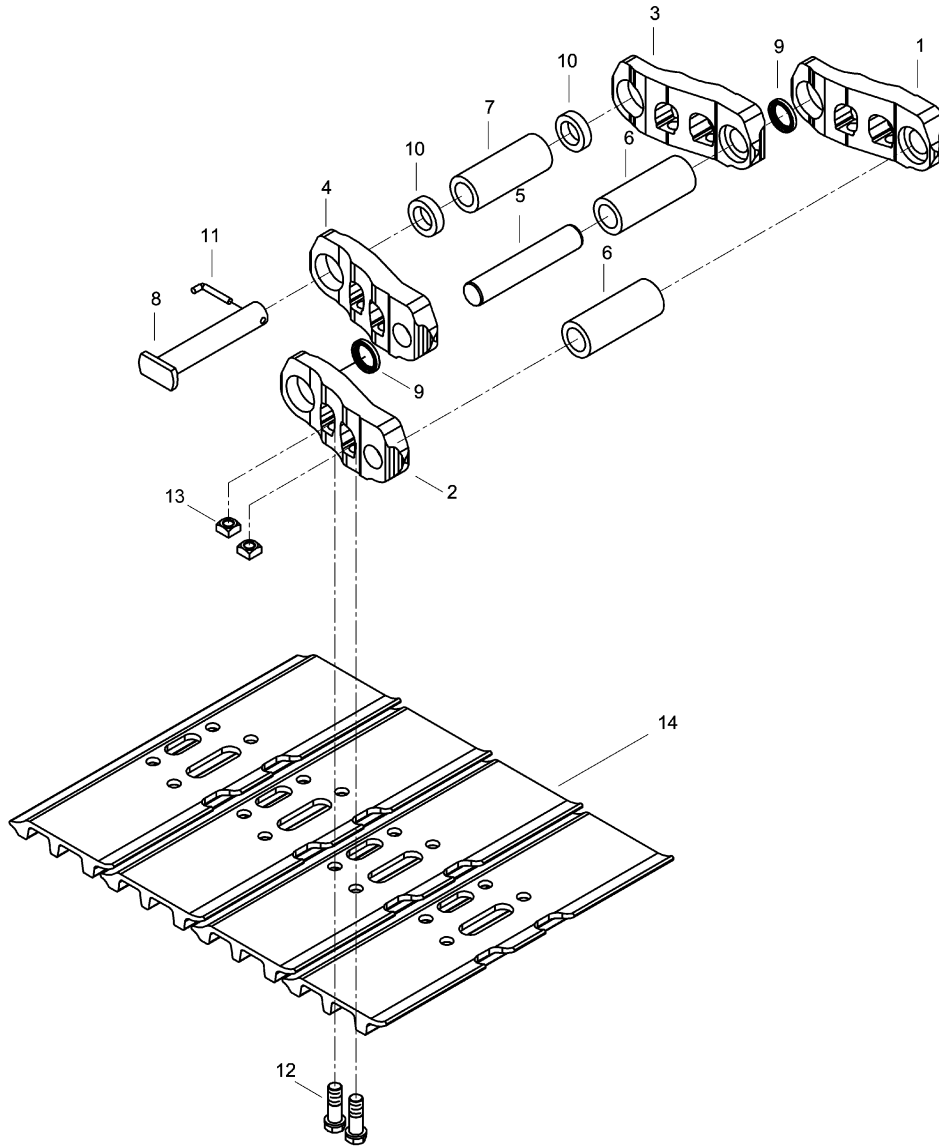
### GERDİRME MEKANİZMASI ADJUSTER ASSEMBLY



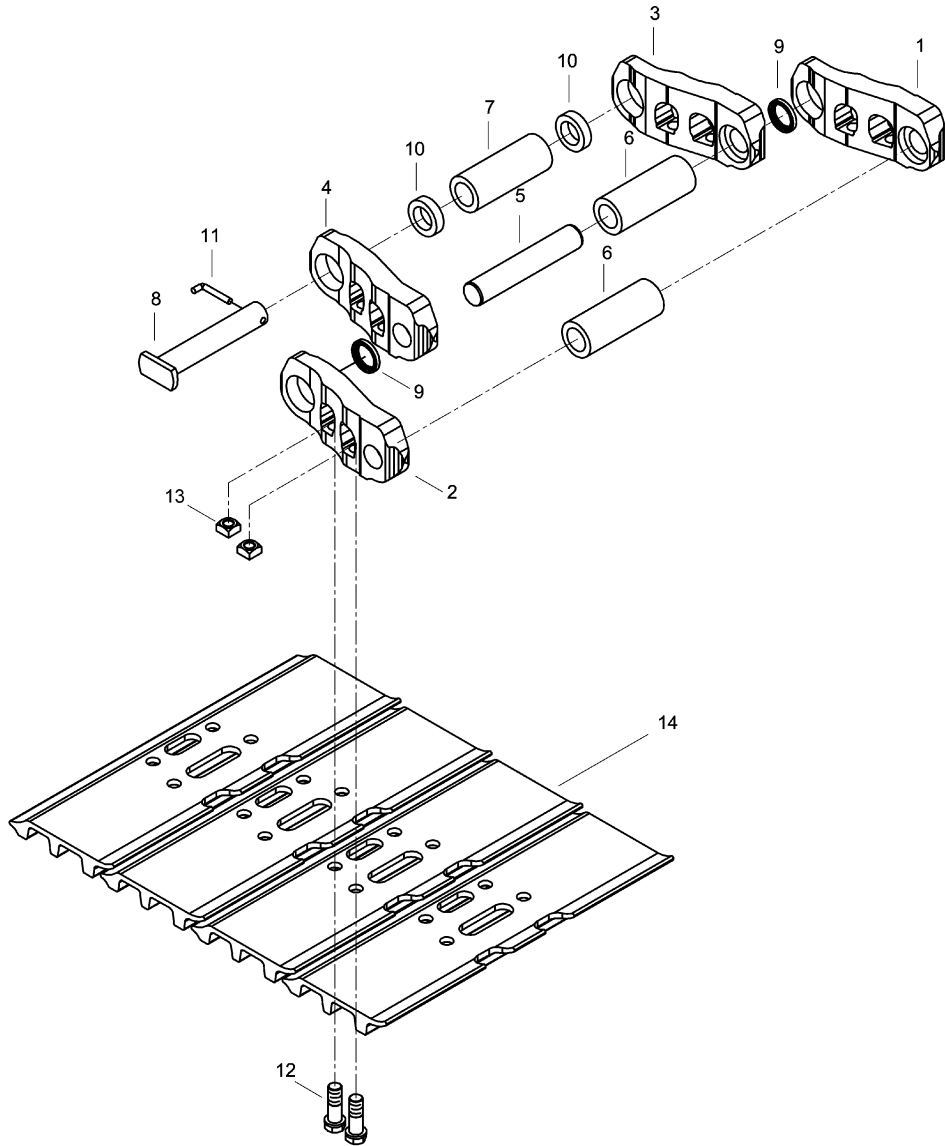
# GERDİRME MEKANİZMASI ADJUSTER ASSEMBLY



**PALET KOMPLESİ (600mm)**  
**TRACK ASS'Y (600mm)**

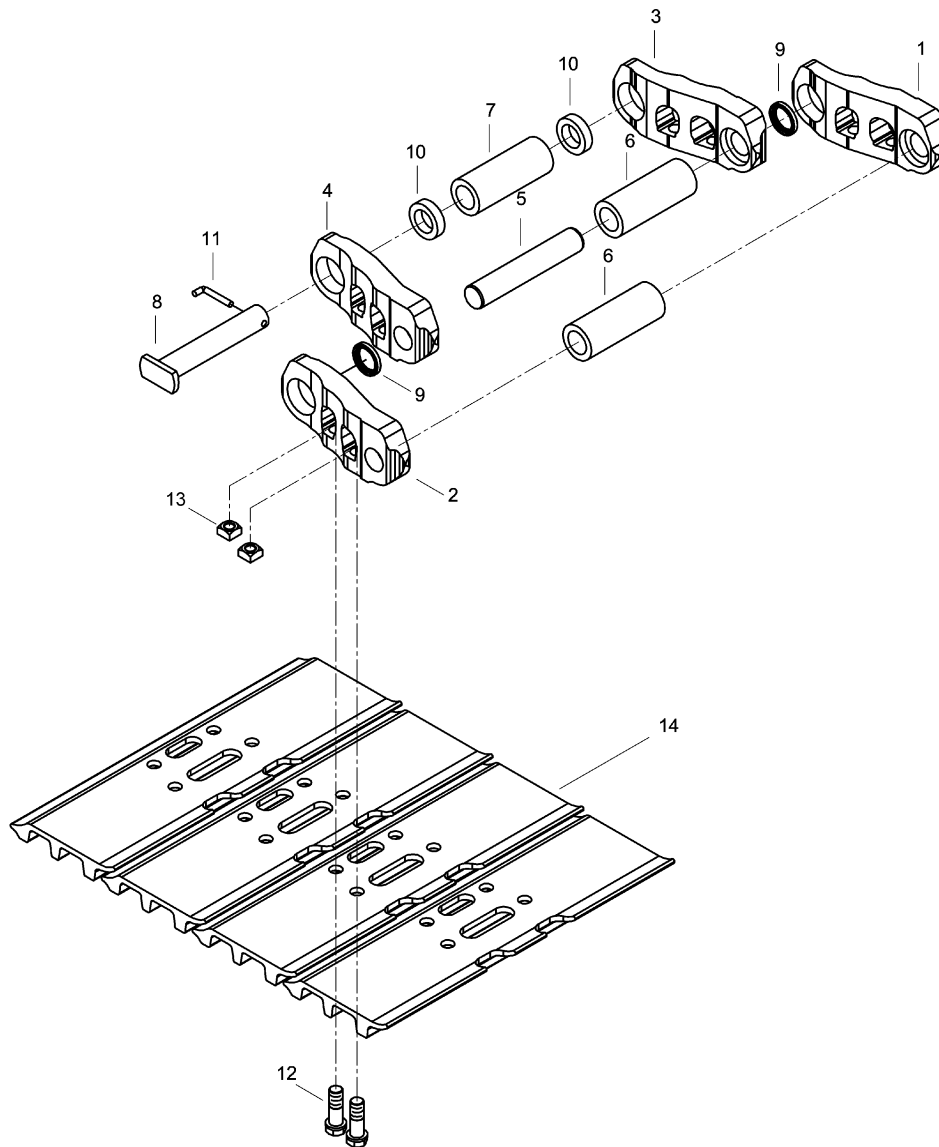


PALET KOMPLESİ (600mm)  
TRACK ASS'Y (600mm)

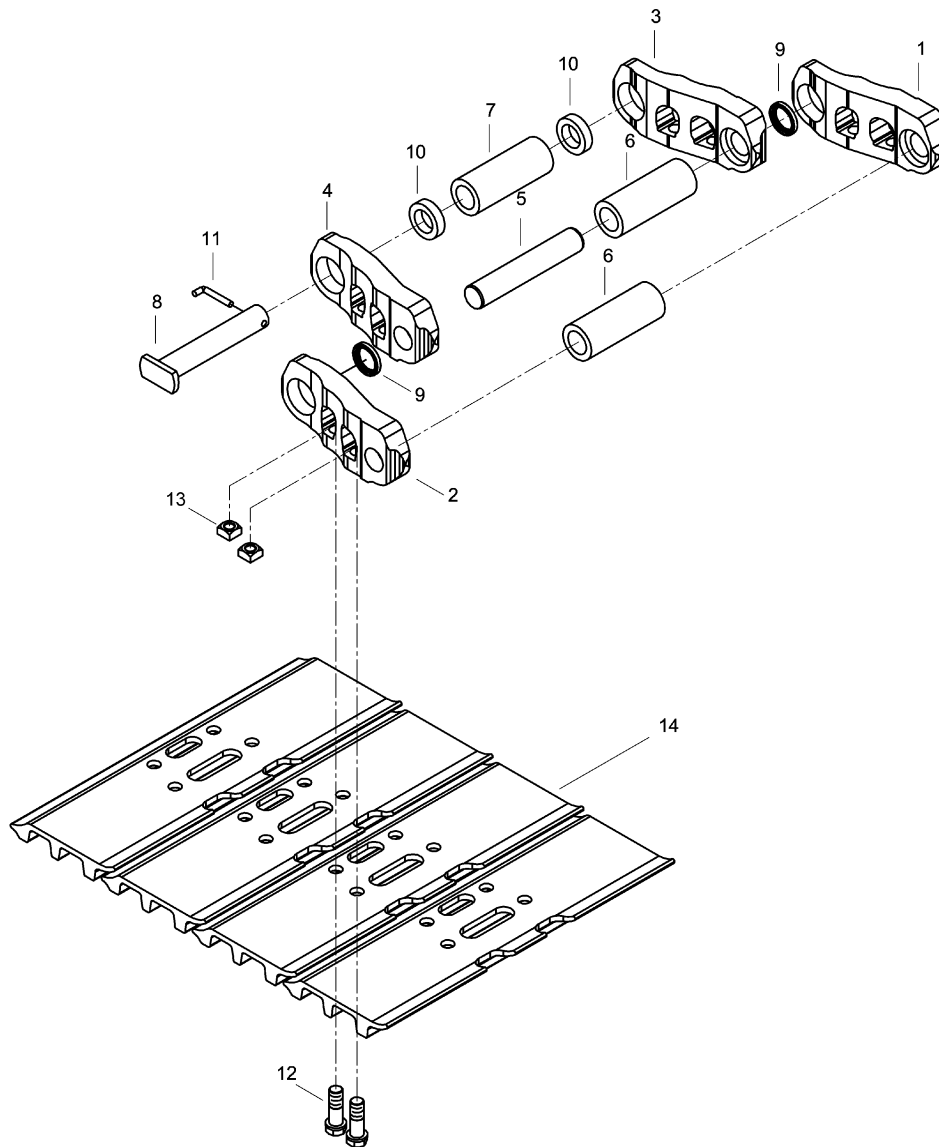




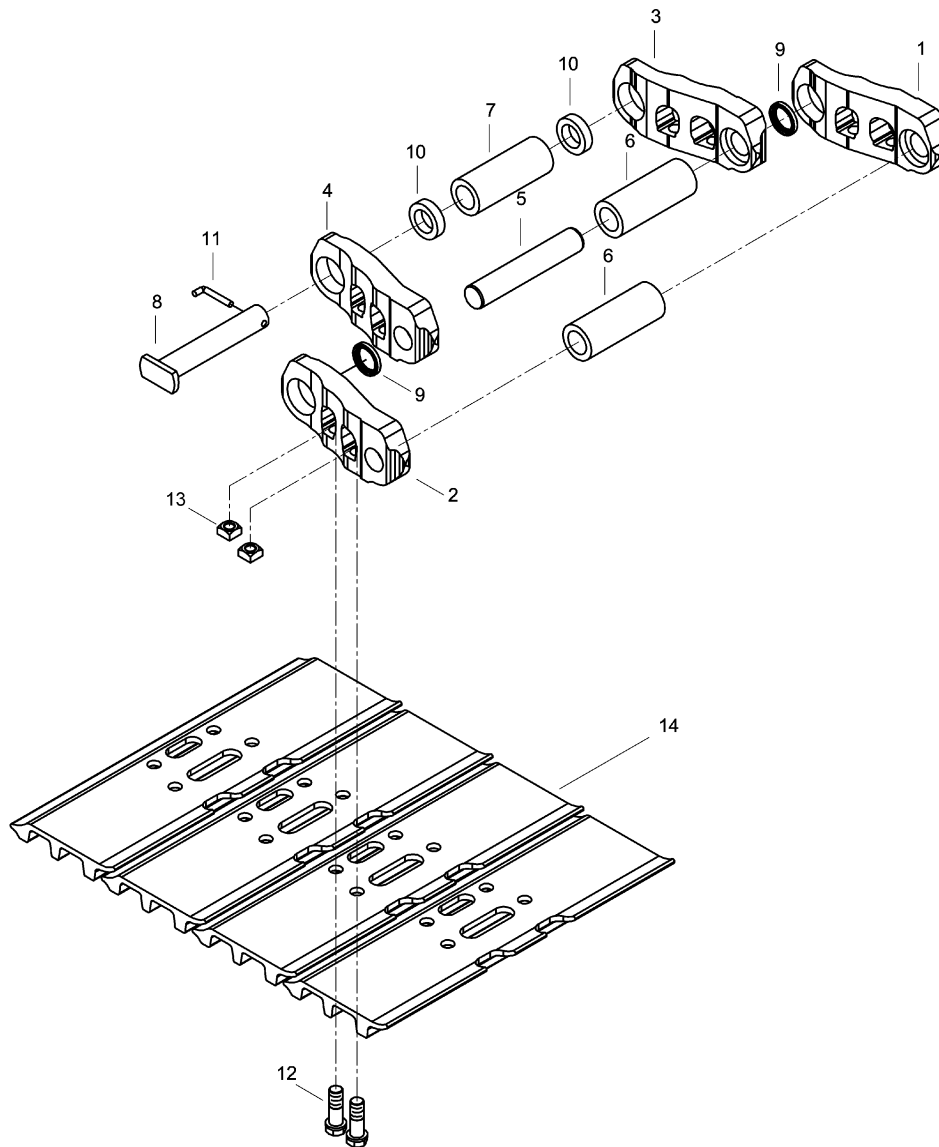
PALET KOMPLESİ (700mm)  
TRACK ASS'Y (700mm)



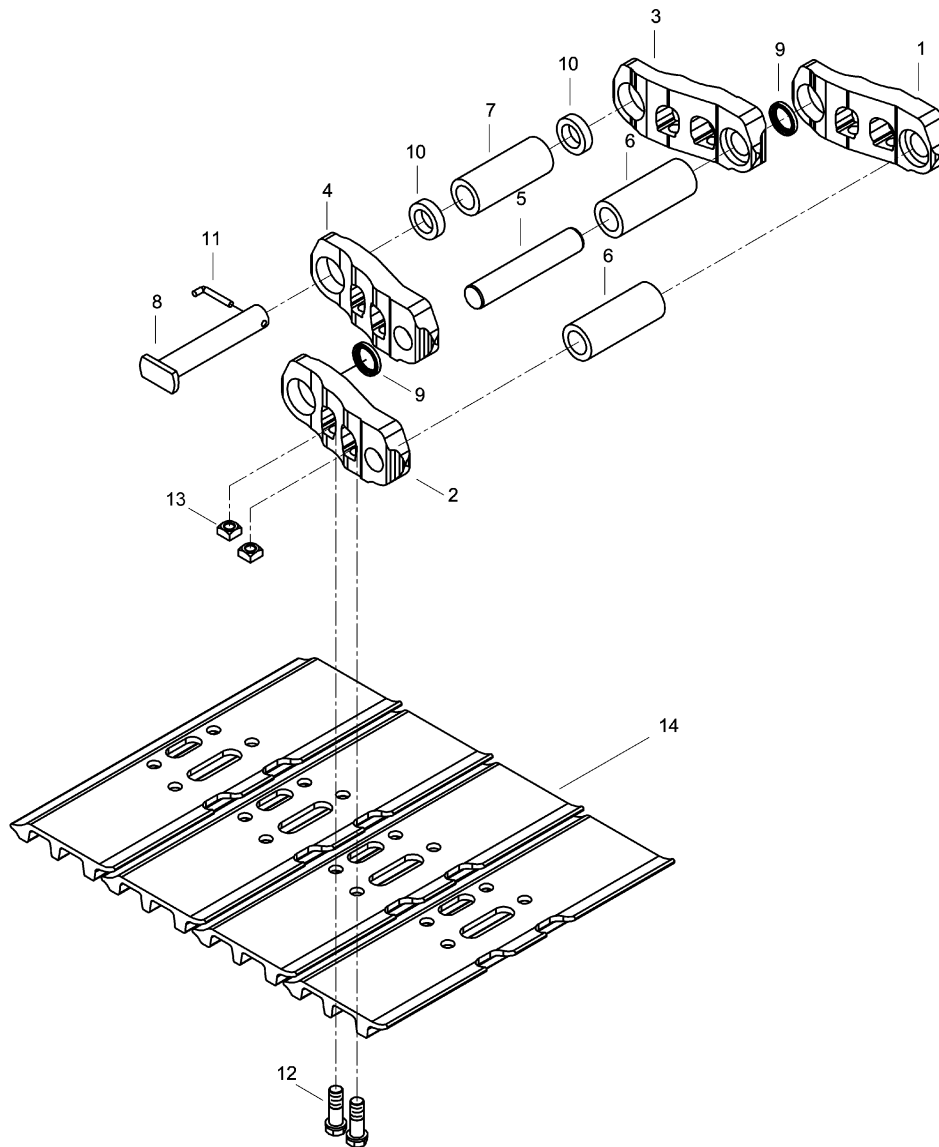
PALET KOMPLESİ (700mm)  
TRACK ASS'Y (700mm)



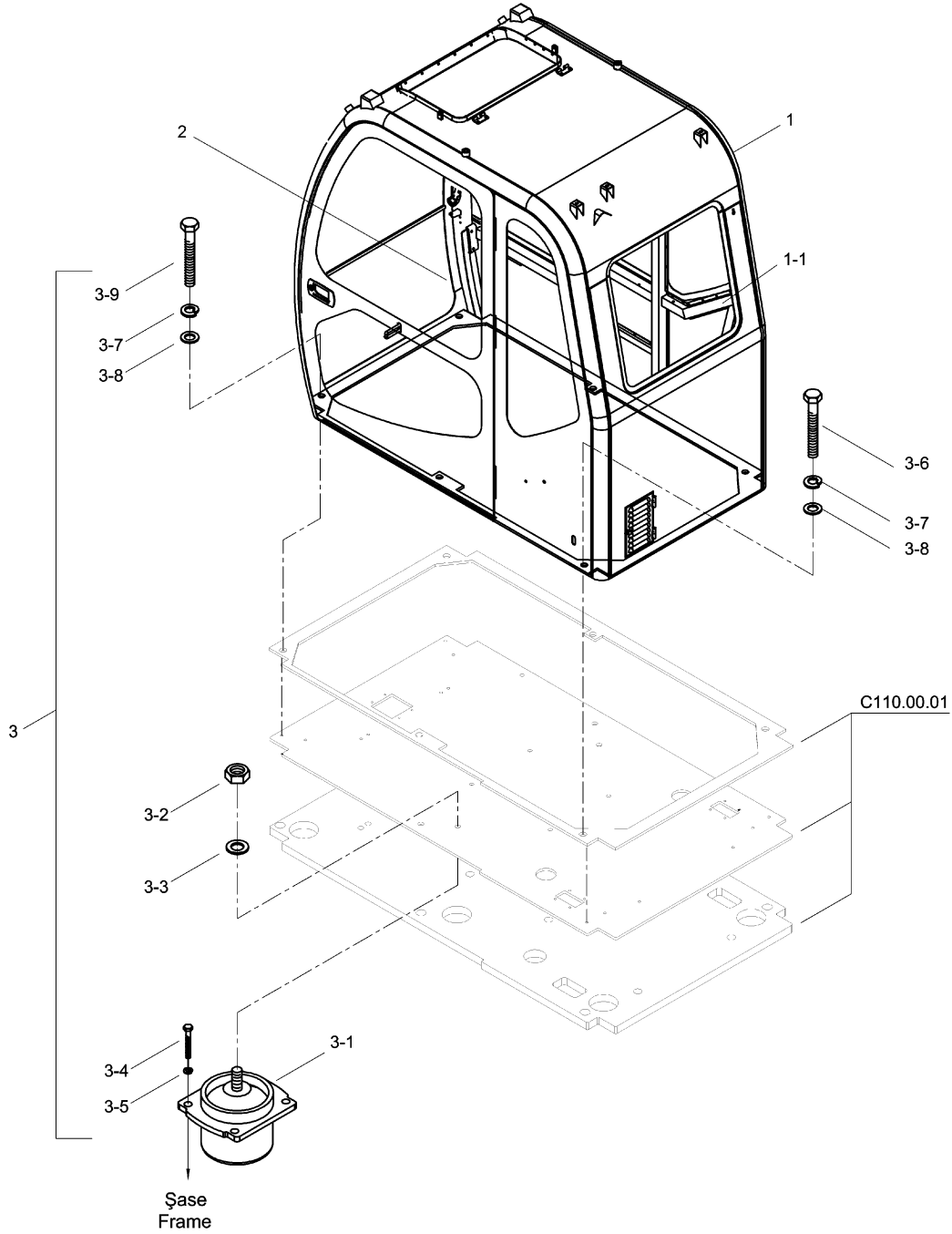
**PALET KOMPLESİ (800mm)**  
**TRACK ASS'Y (800mm)**



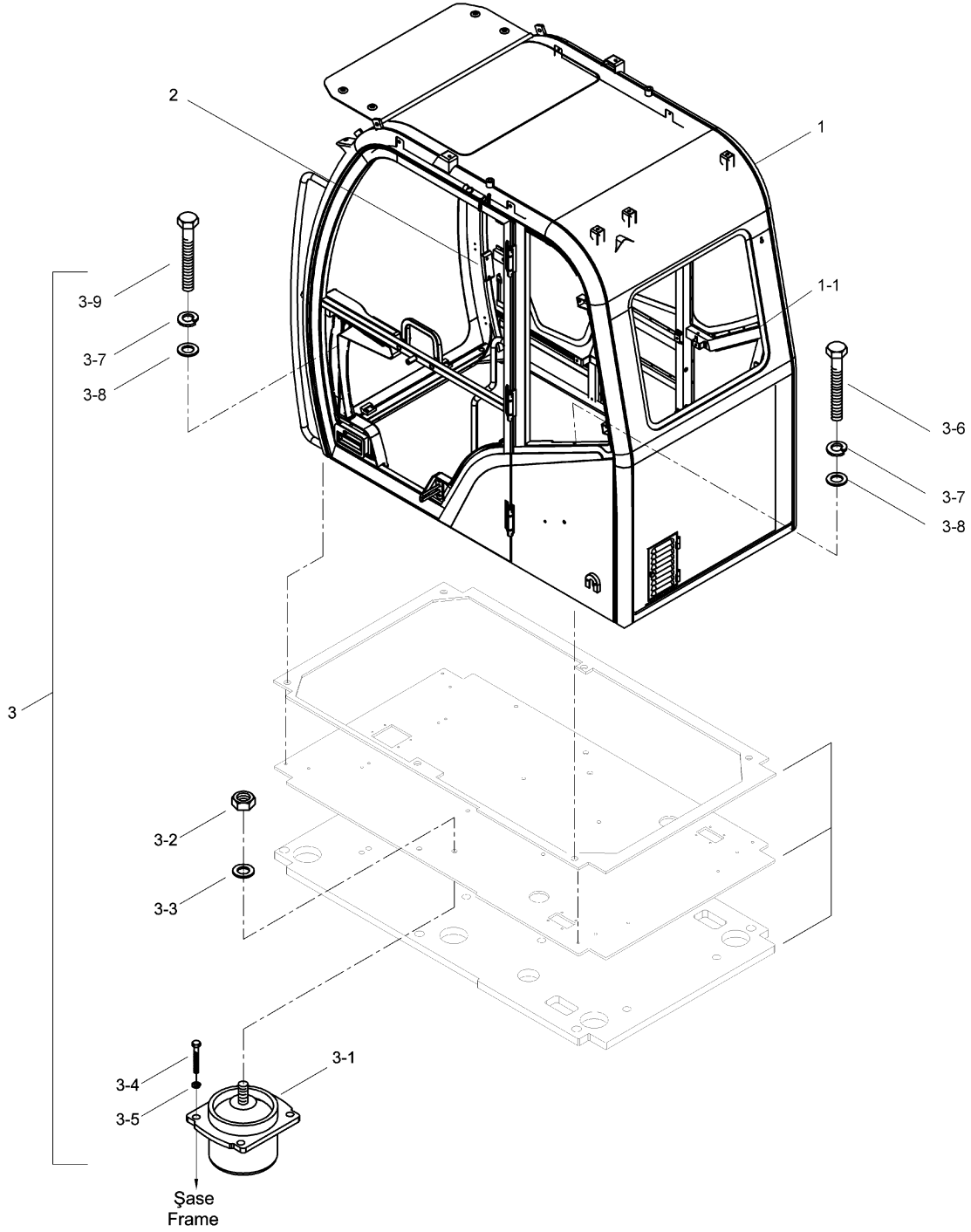
PALET KOMPLESİ (800mm)  
TRACK ASS'Y (800mm)



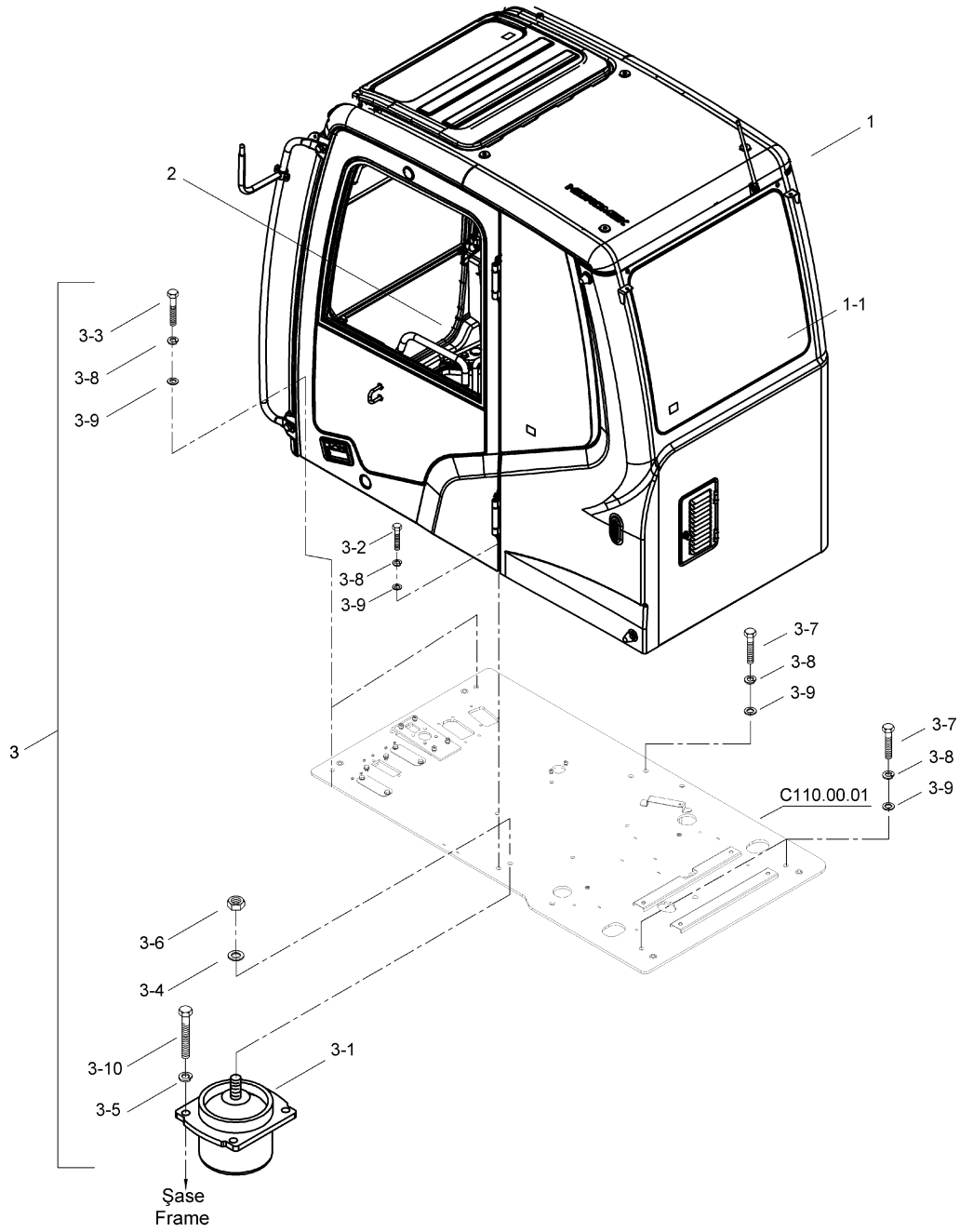
## KABİN VE BAĞLANTI TAKOZLARI CAB AND CAB MOUNTING



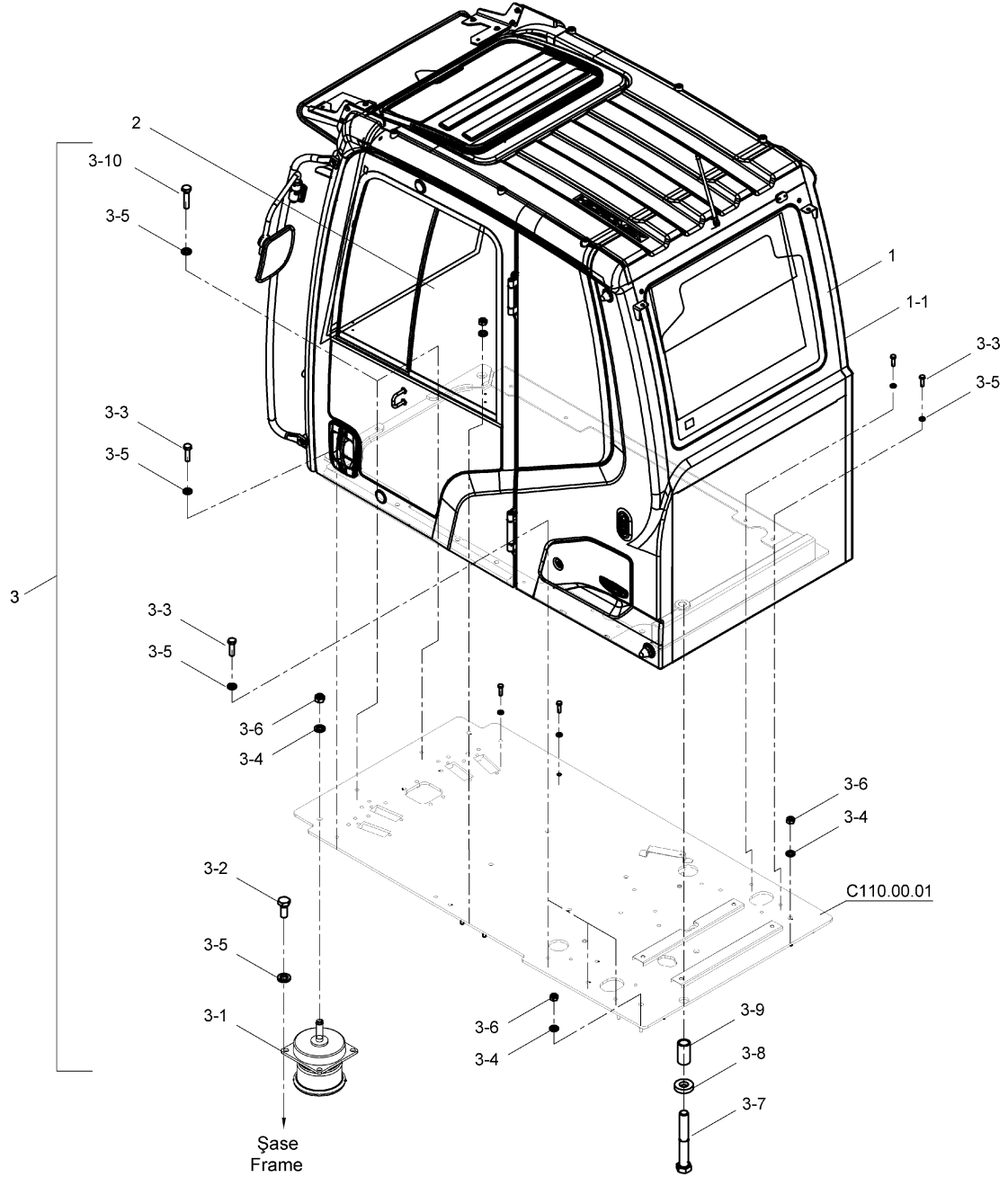
## KABİN VE BAĞLANTI TAKOZLARI CAB AND CAB MOUNTING



## KABİN VE BAĞLANTI TAKOZLARI CAB AND CAB MOUNTING

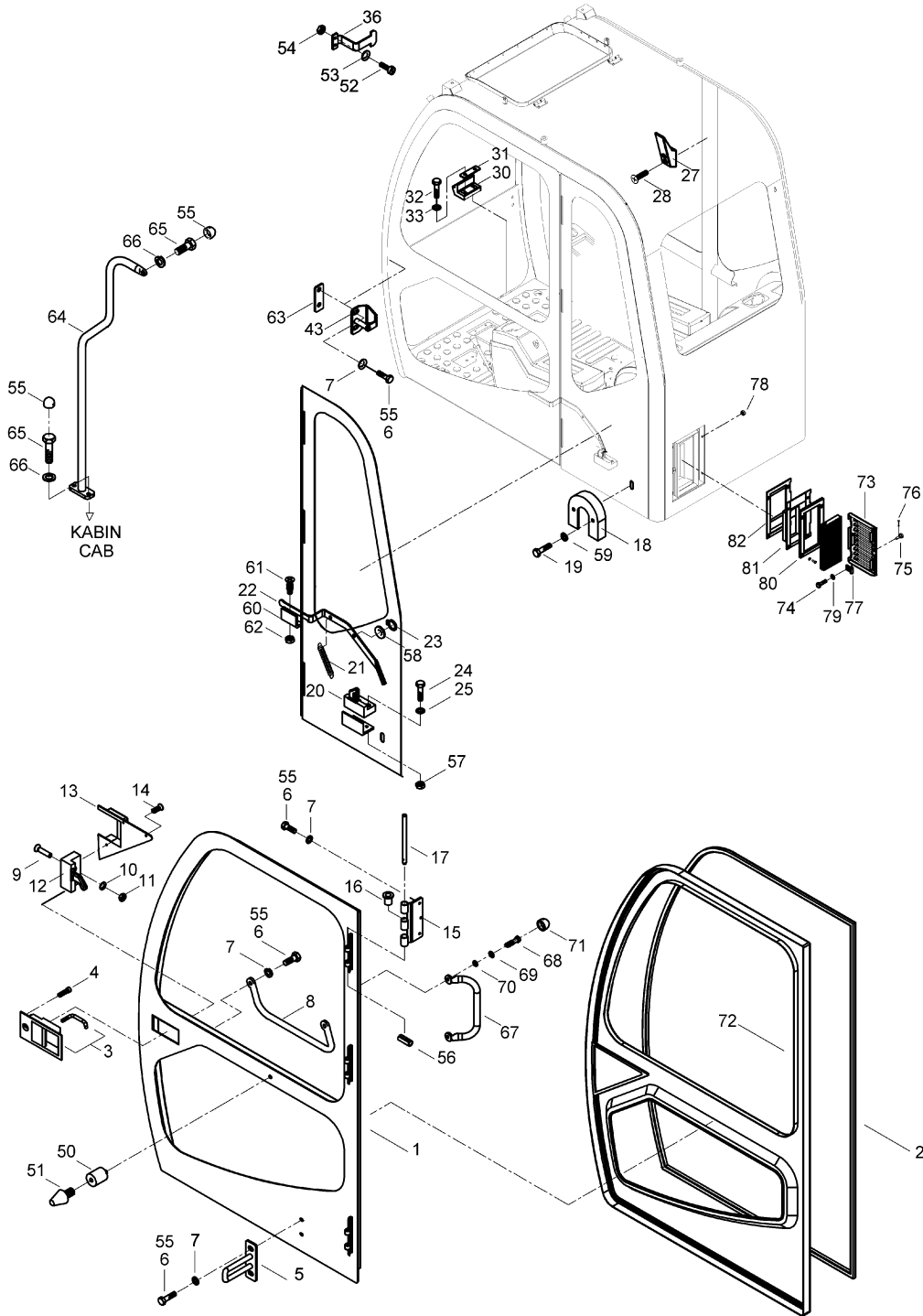


## KABİN VE BAĞLANTI TAKOZLARI CAB AND CAB MOUNTING

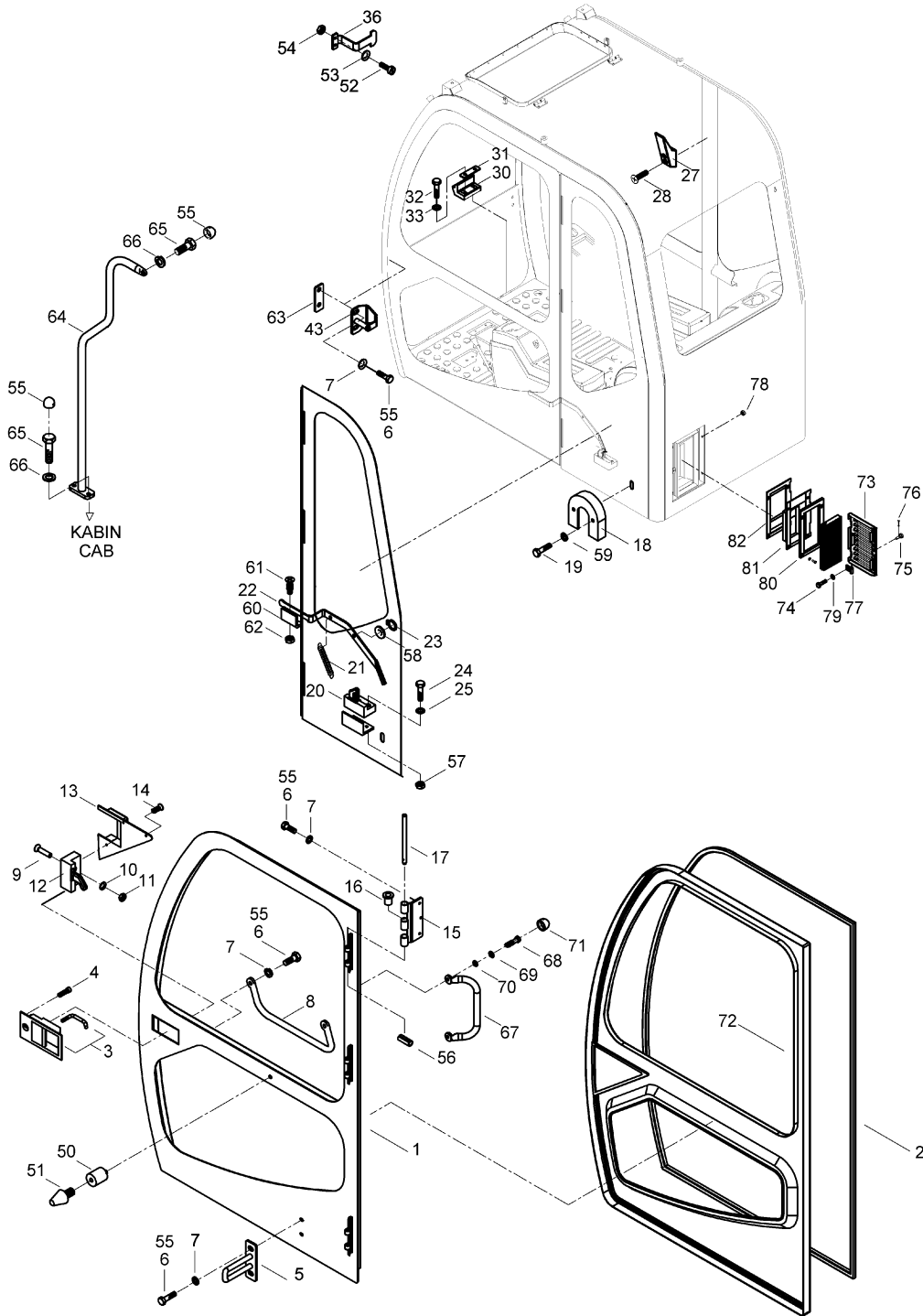




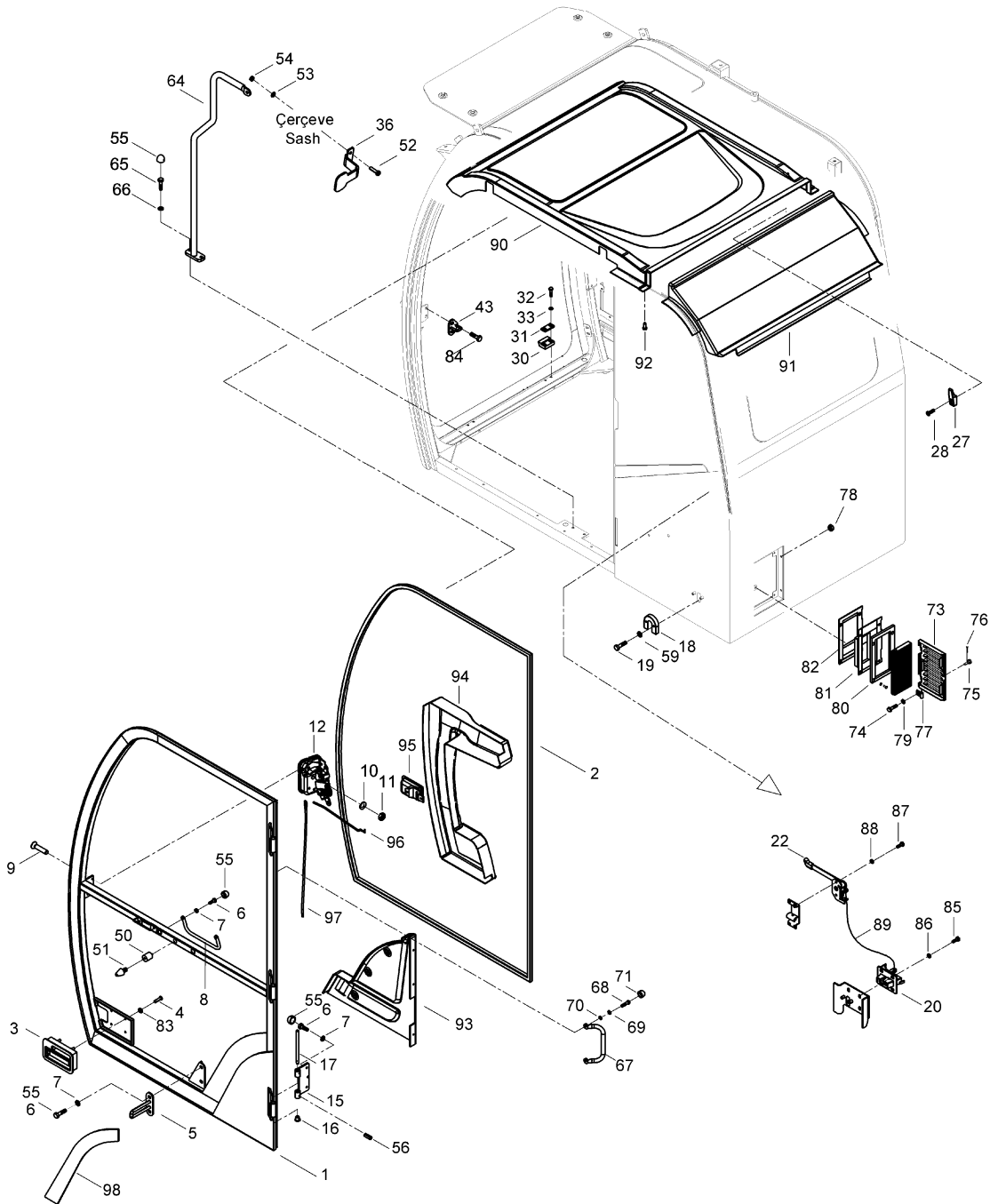
# KAPILAR DOORS



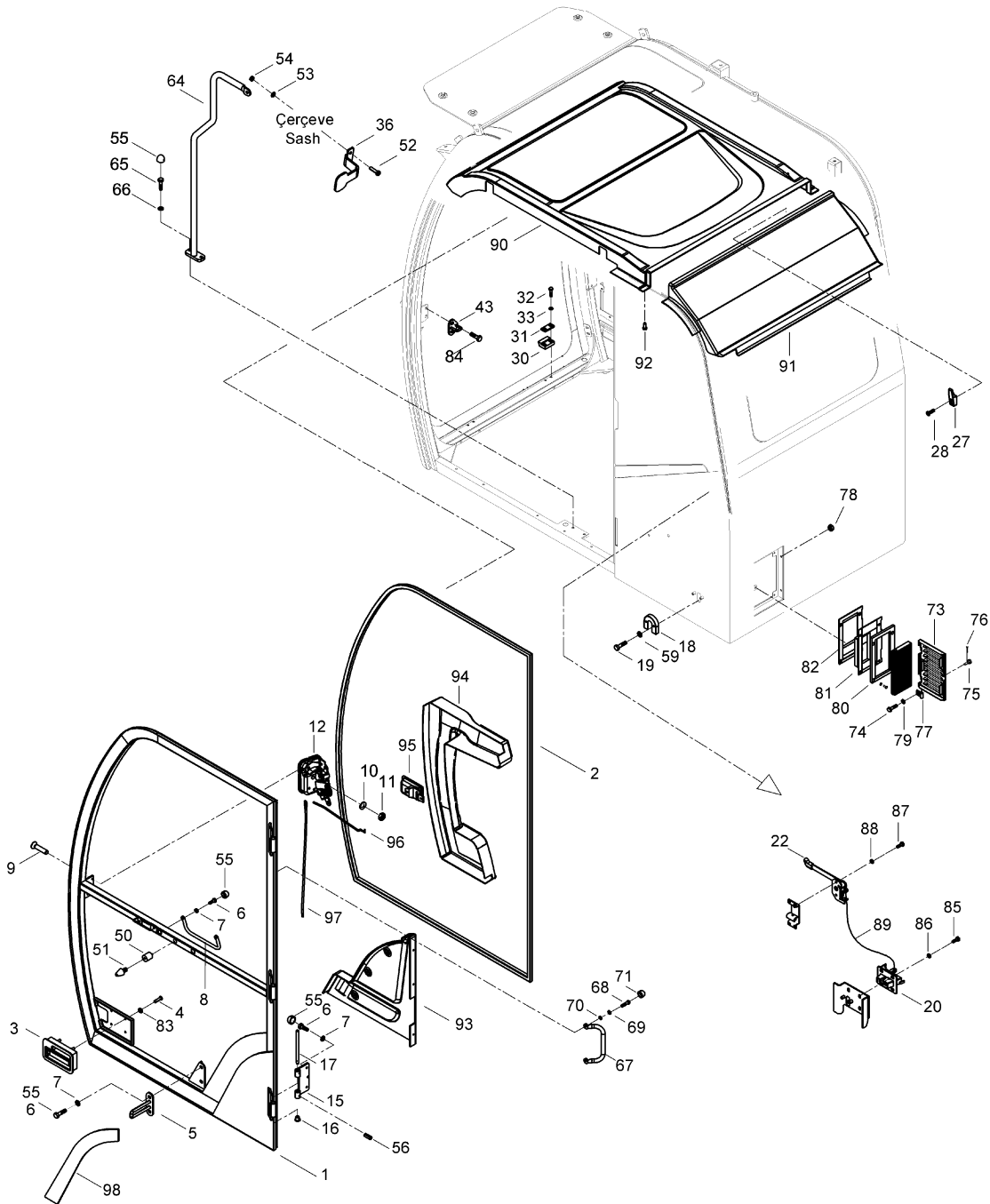
# KAPILAR DOORS



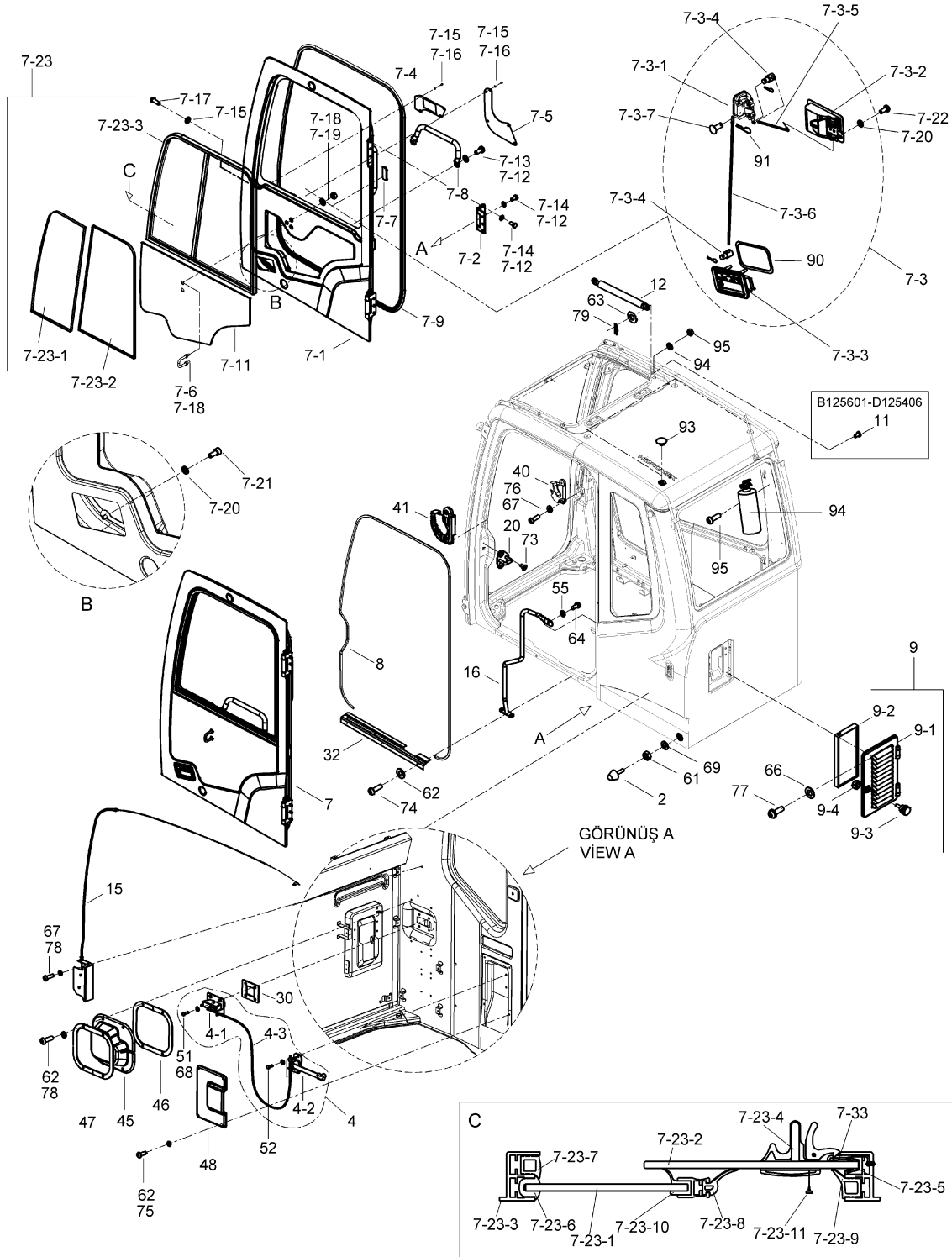
# KAPILAR DOORS



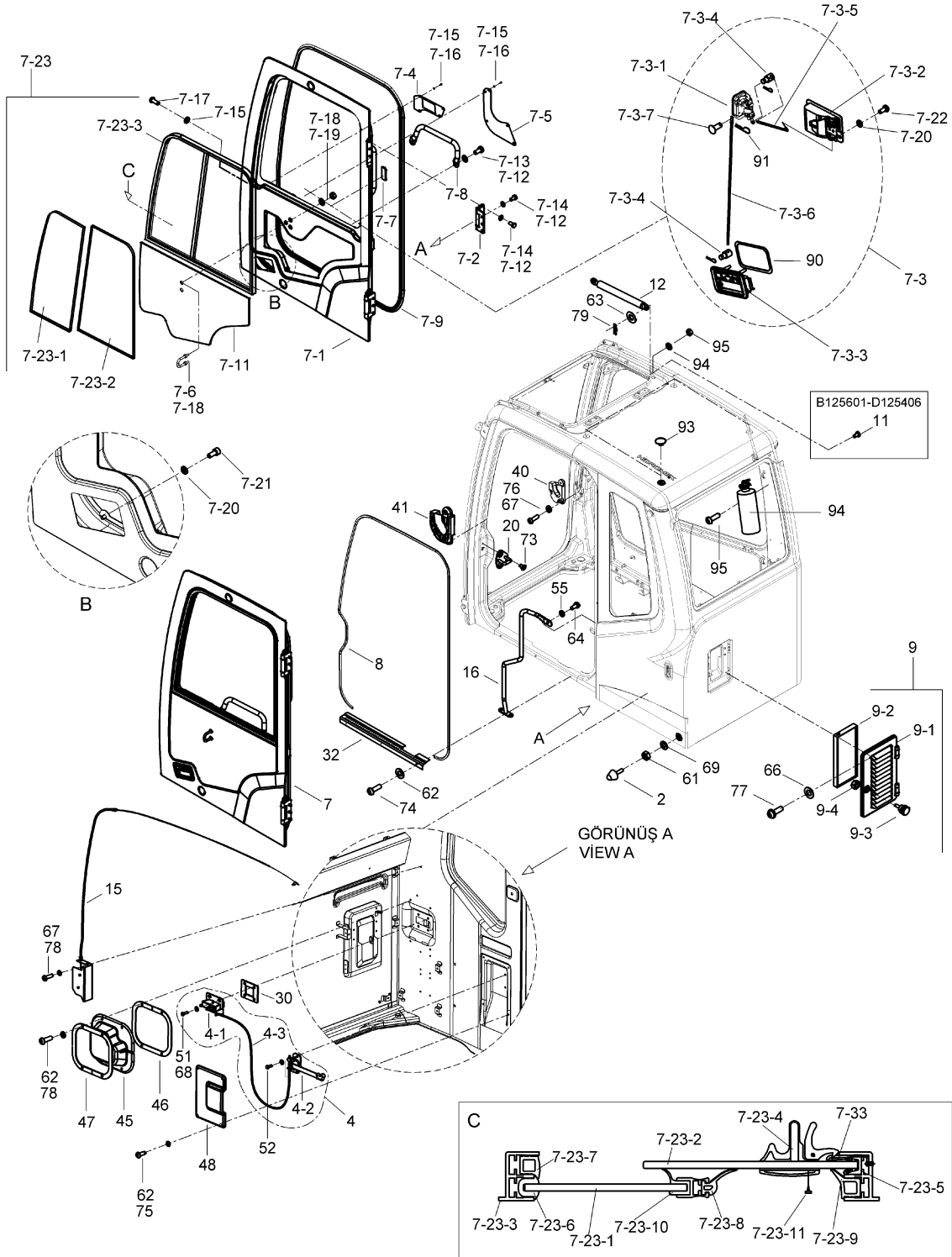
# KAPILAR DOORS



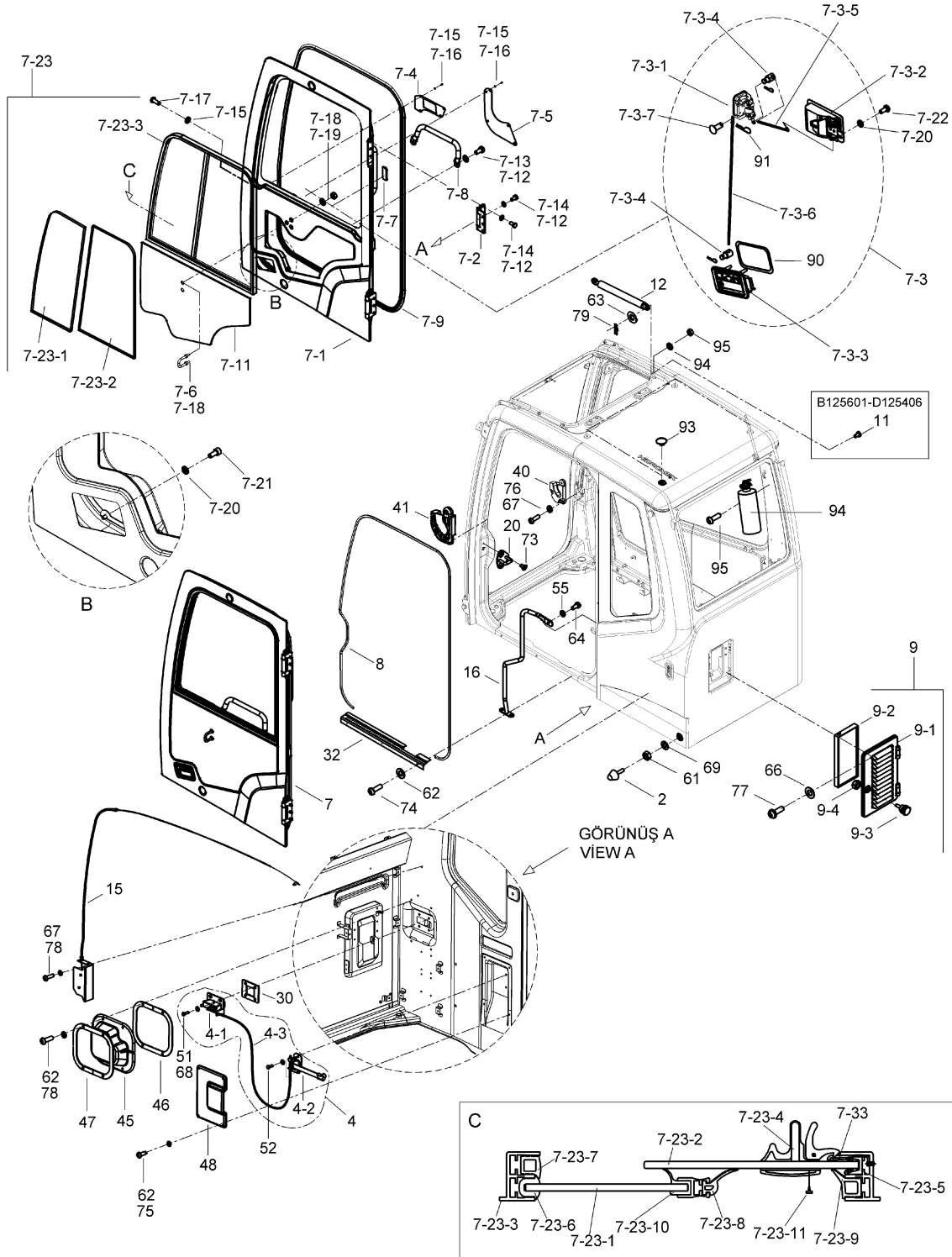
# KAPILAR DOORS



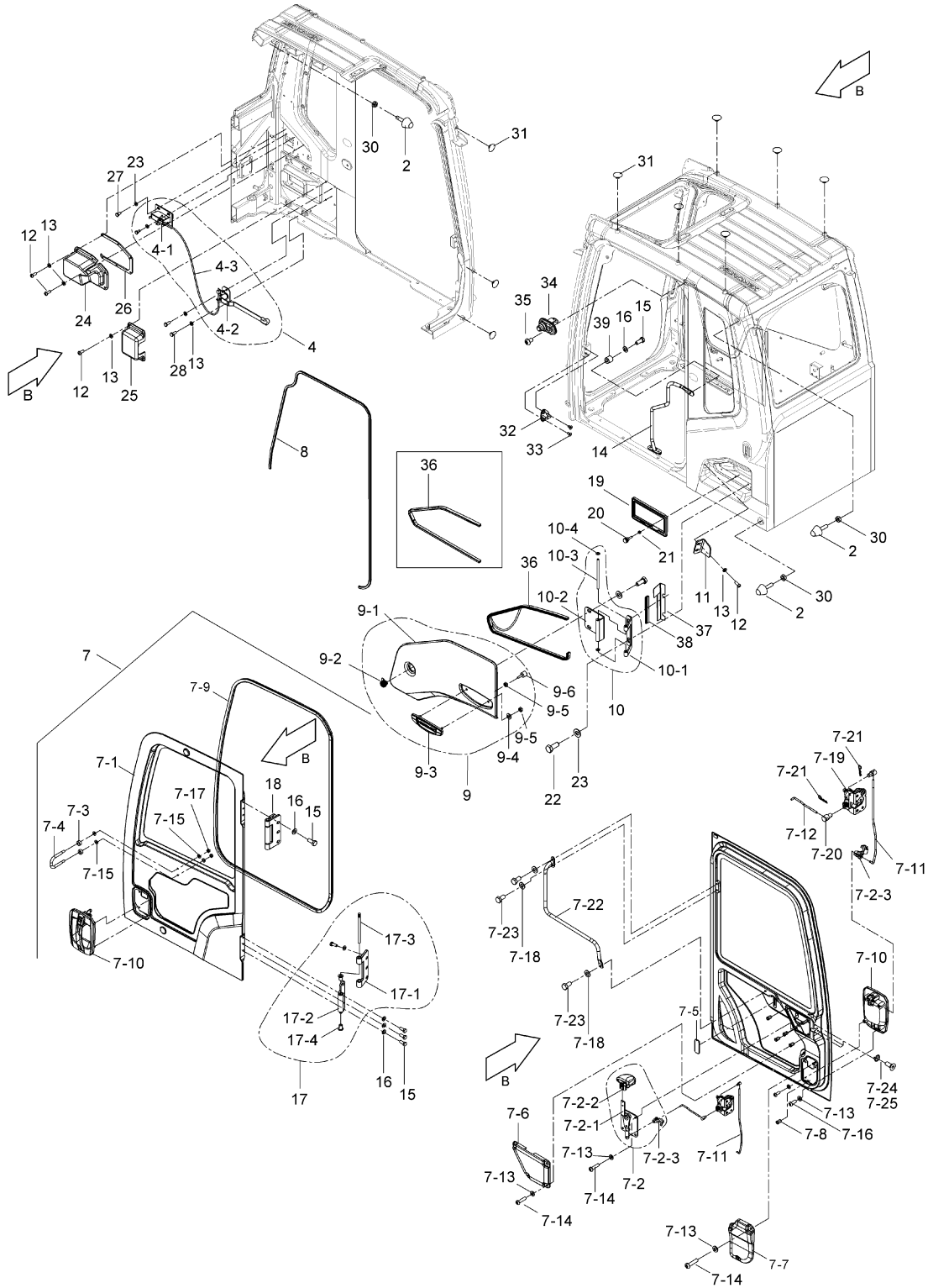
# KAPILAR DOORS



## KAPILAR DOORS

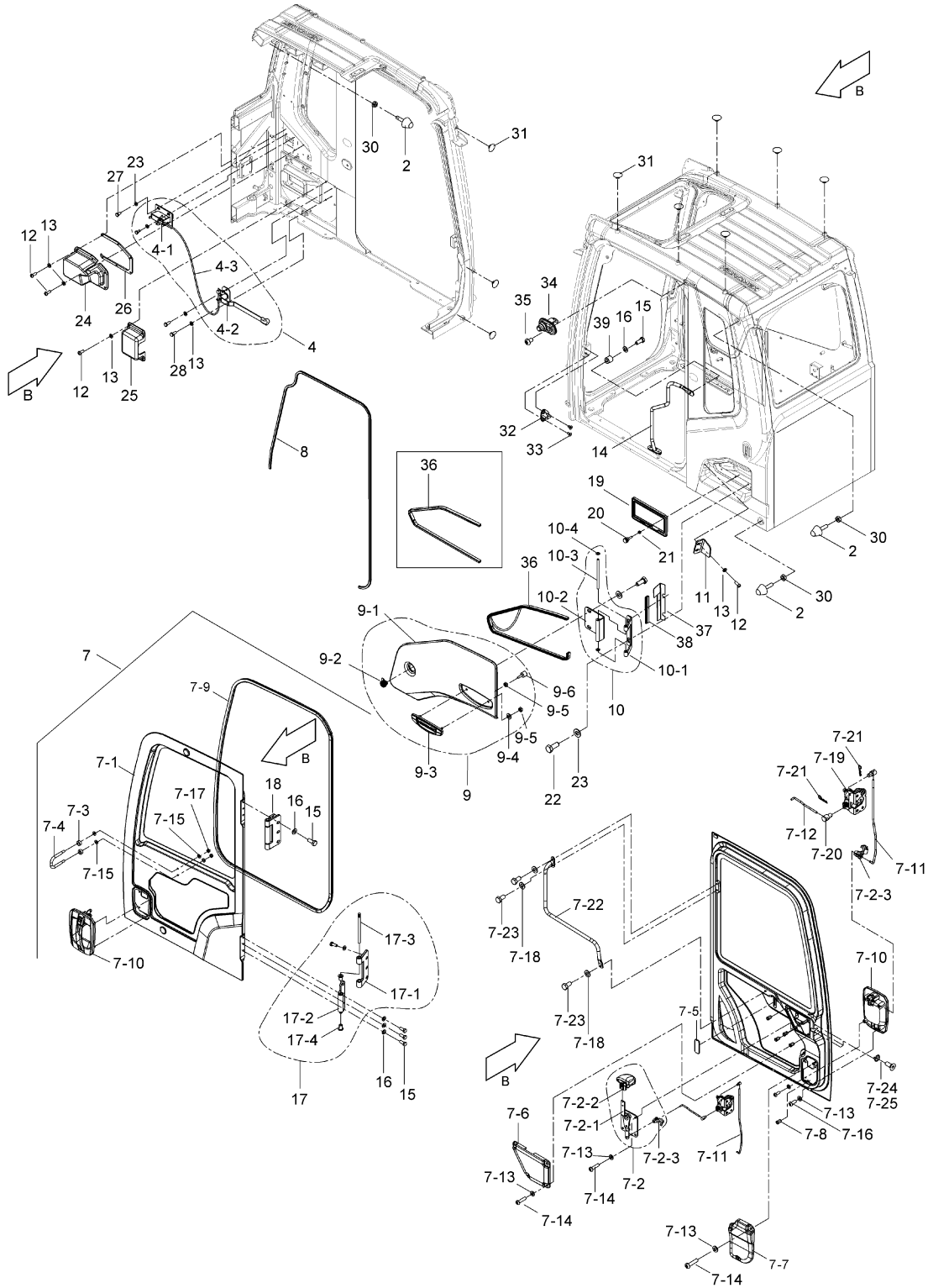


# KAPILAR DOORS

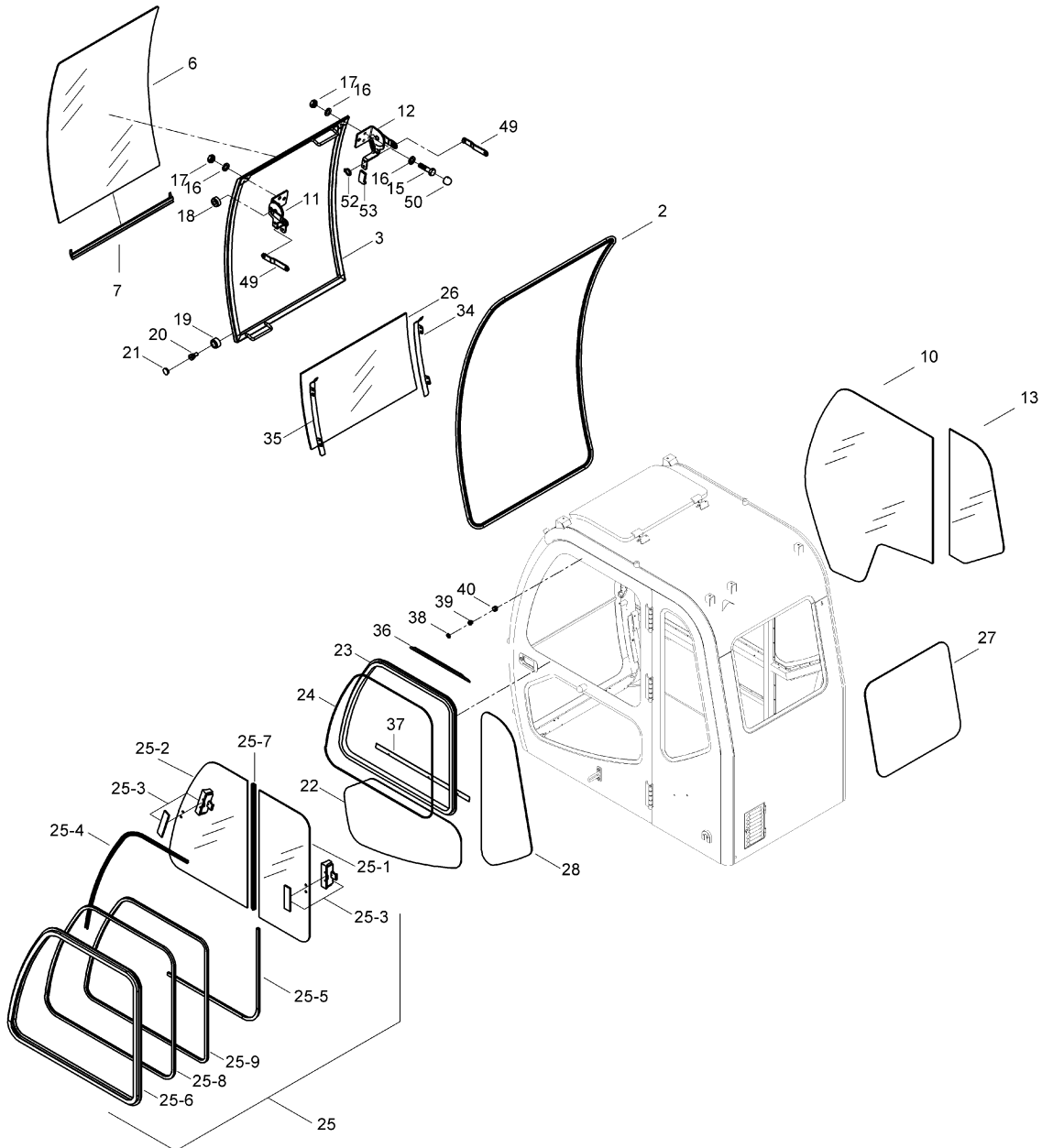




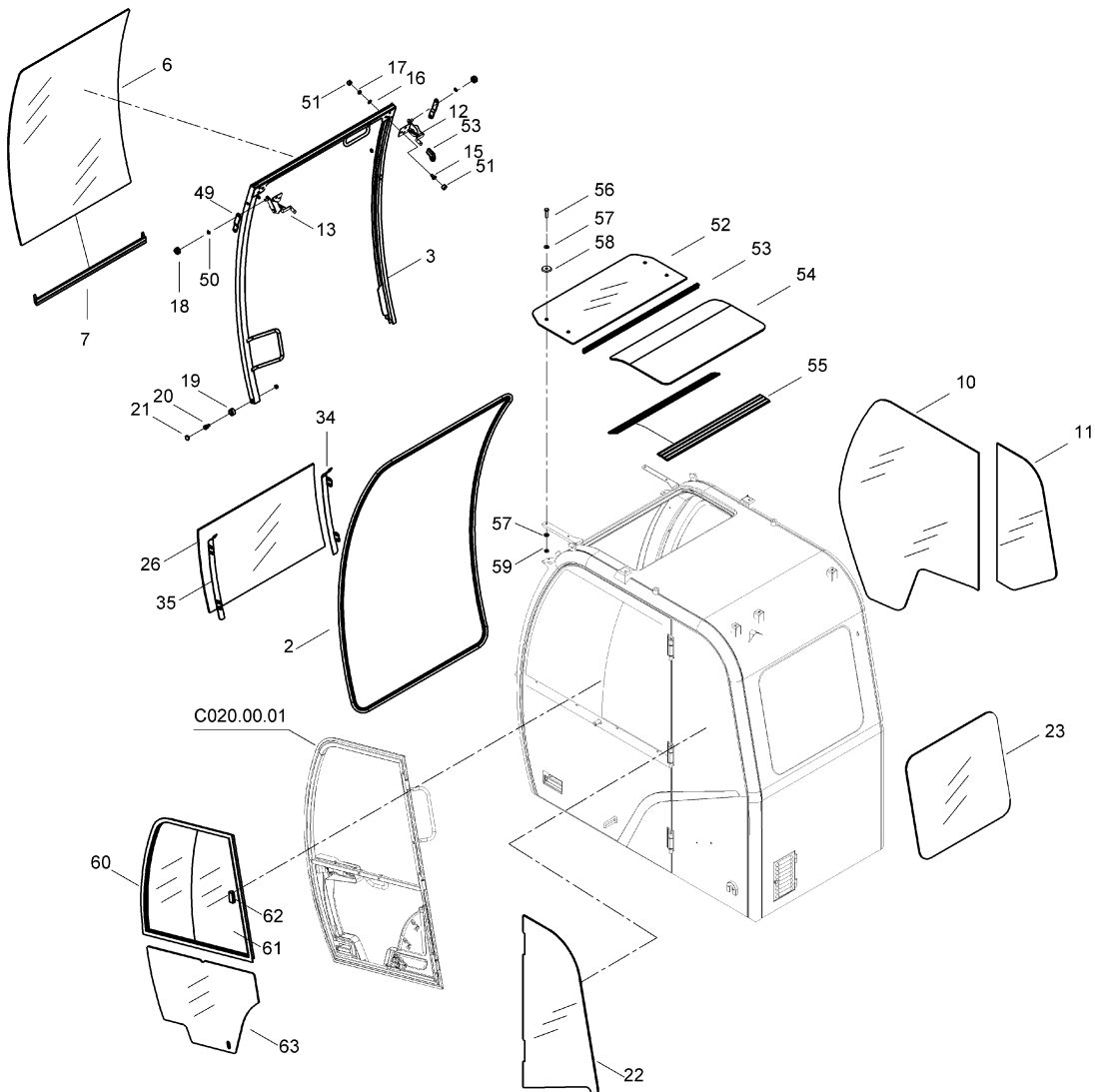
# KAPILAR DOORS



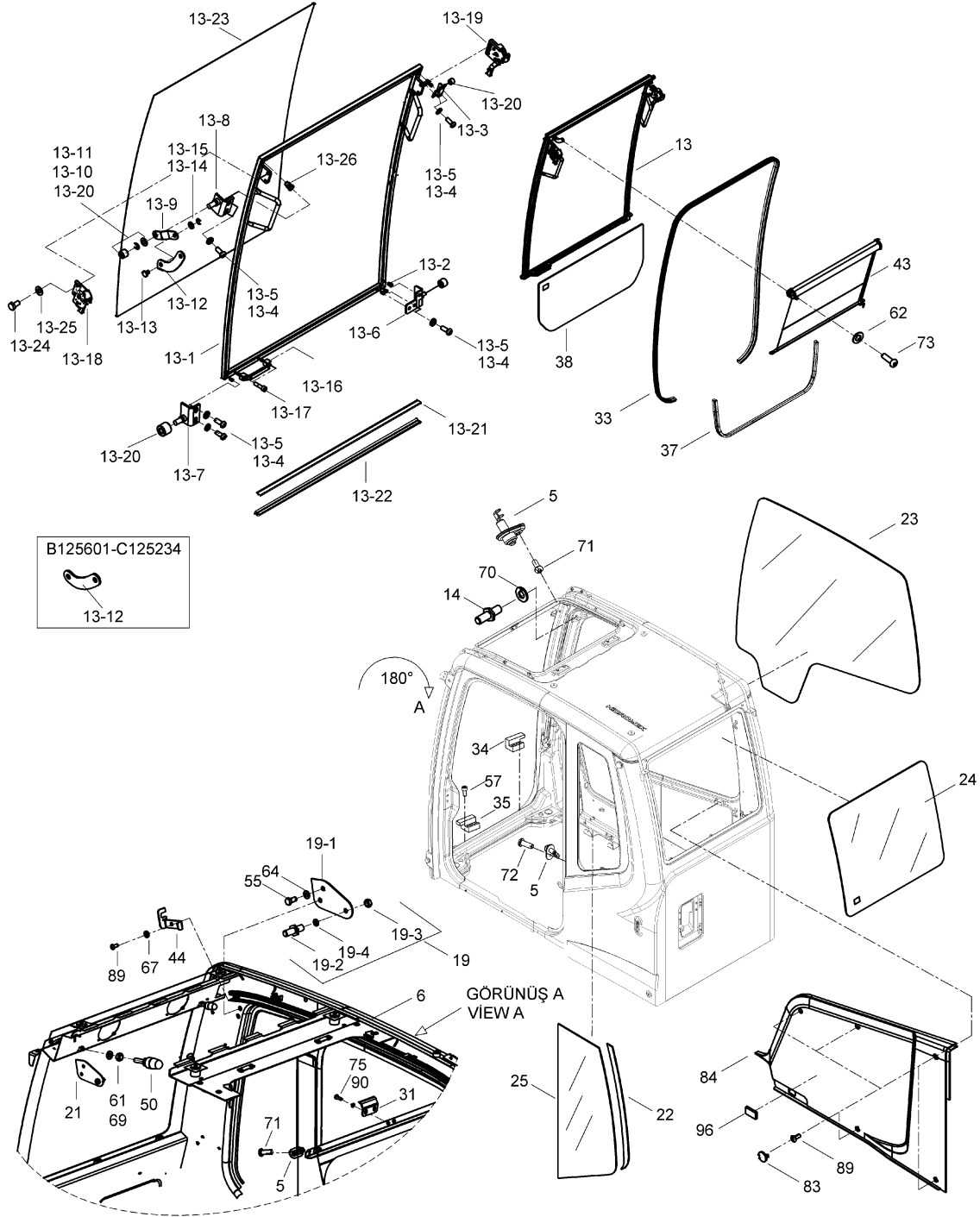
# CAMLAR WINDOWS



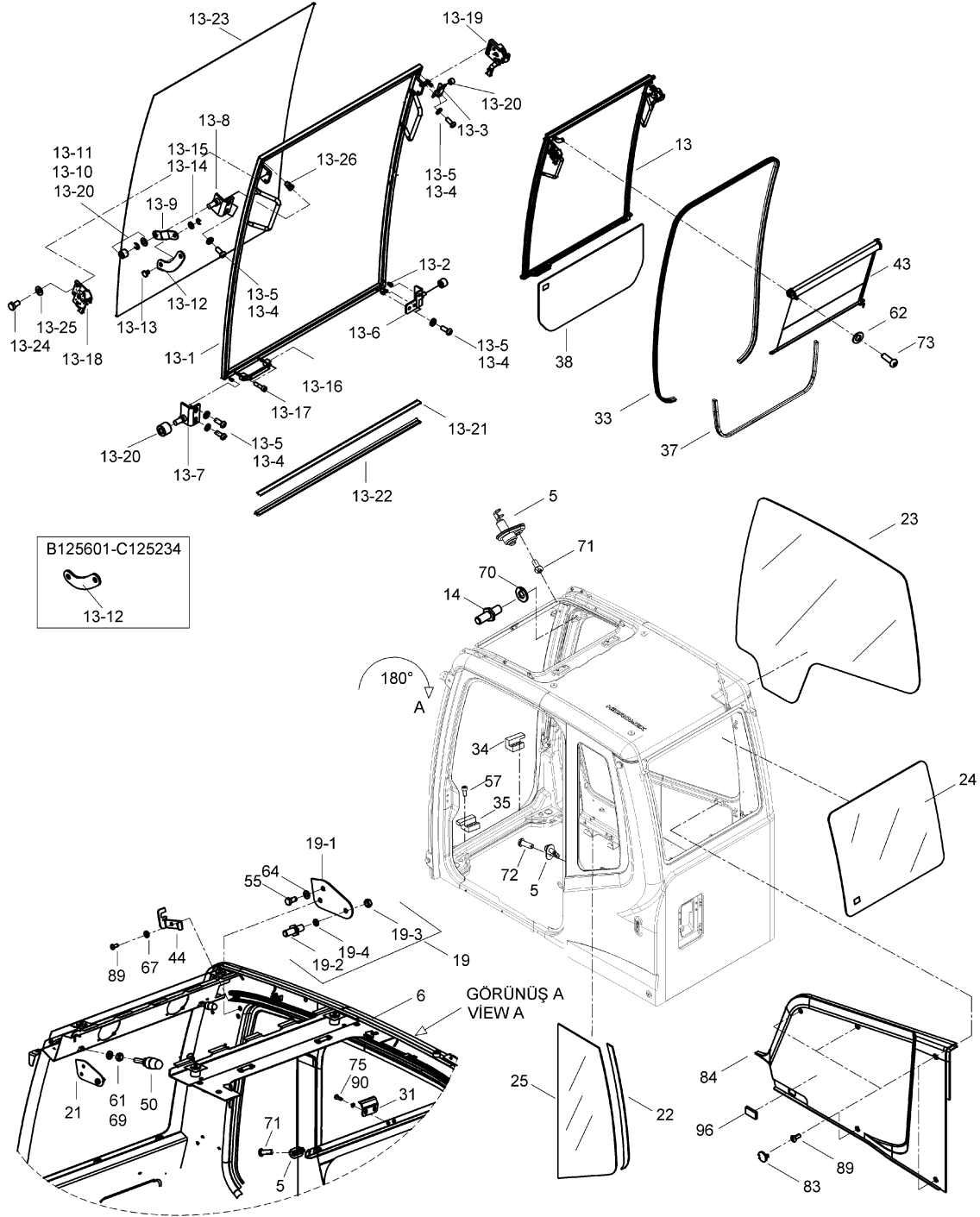
### CAMLAR WINDOWS



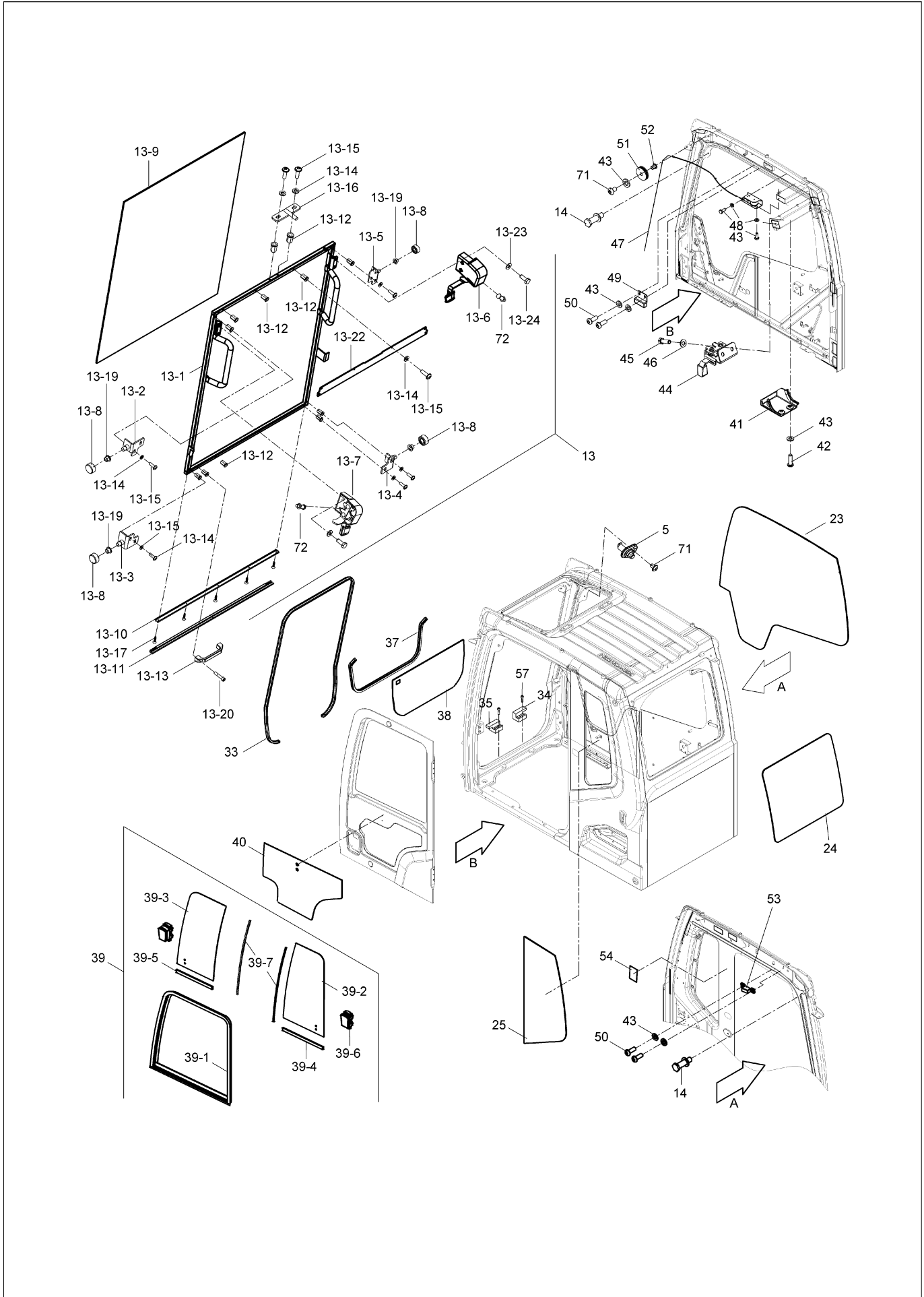
## CAMLAR WINDOWS



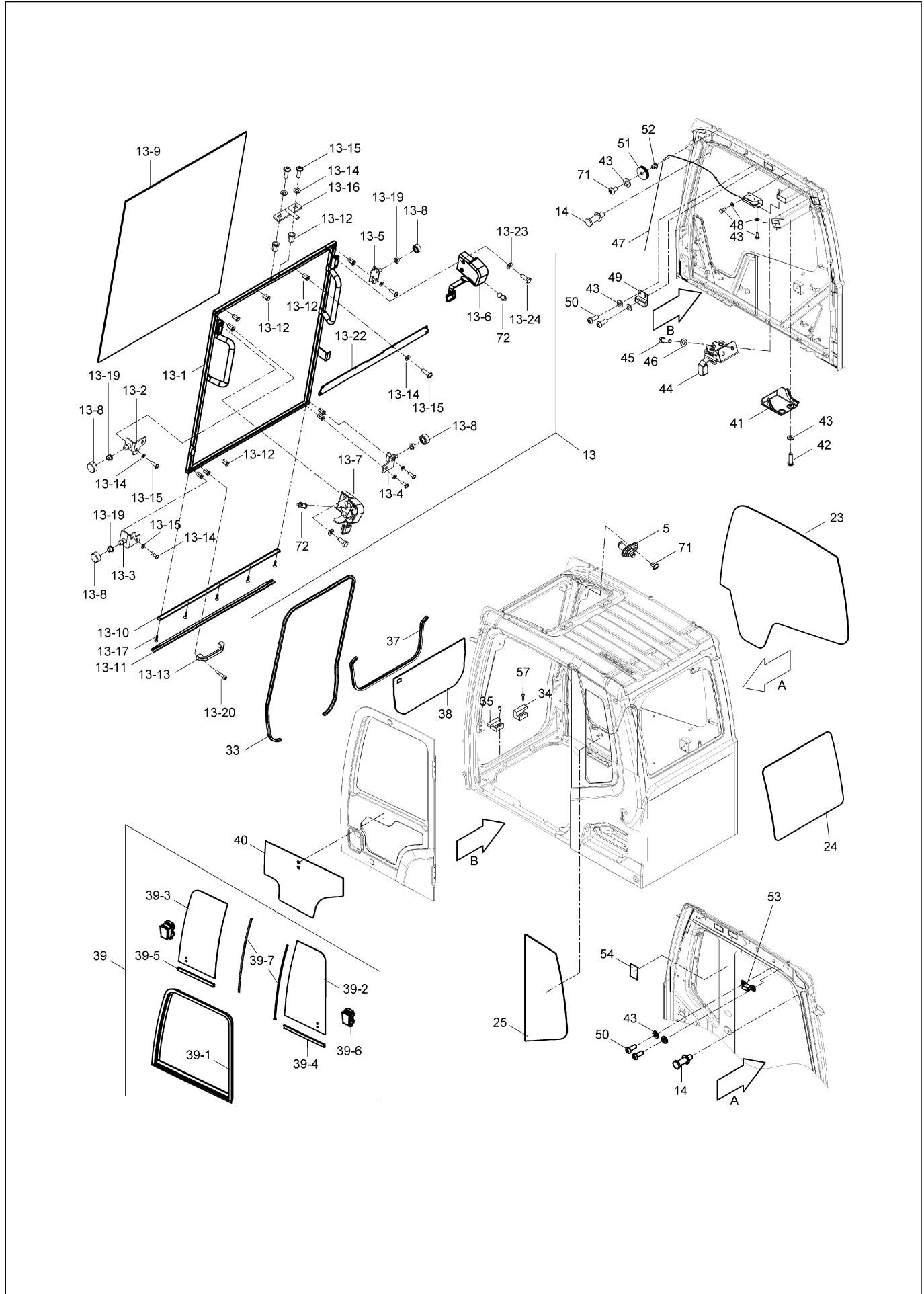
## CAMLAR WINDOWS



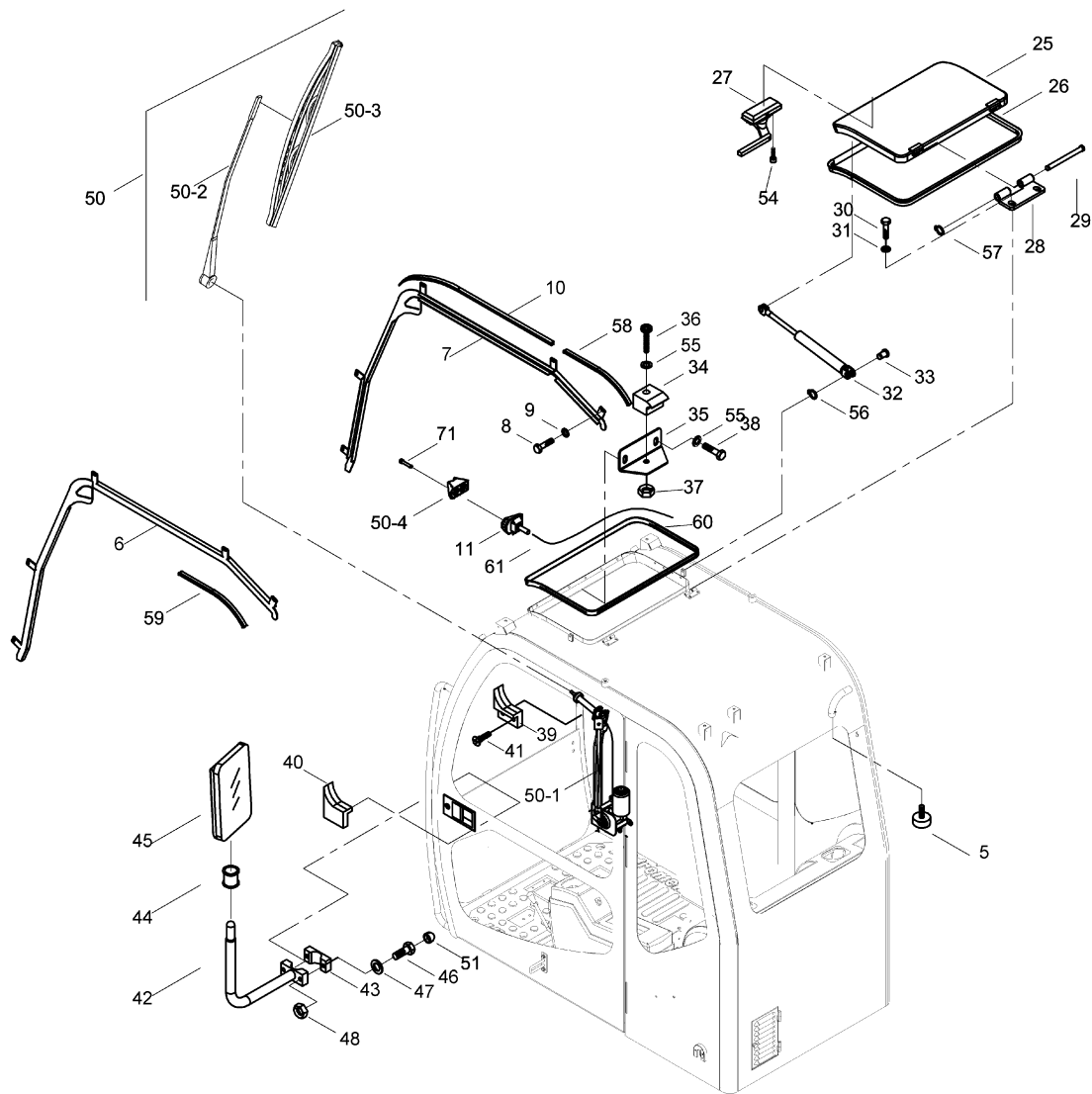
# CAMLAR WINDOWS



# CAMLAR WINDOWS

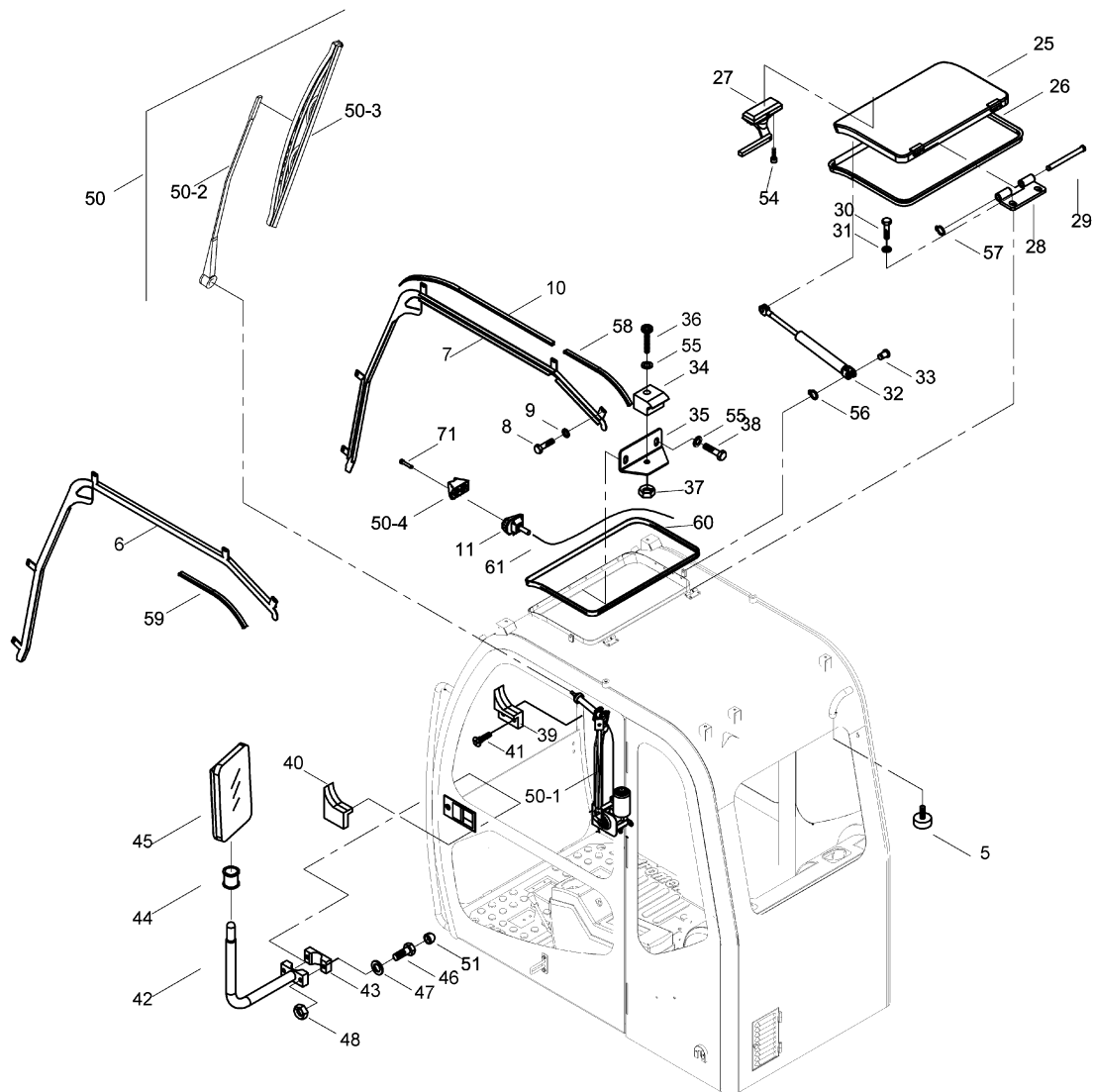


**KABİN DONANIMI  
CAB ACCESSORIES**

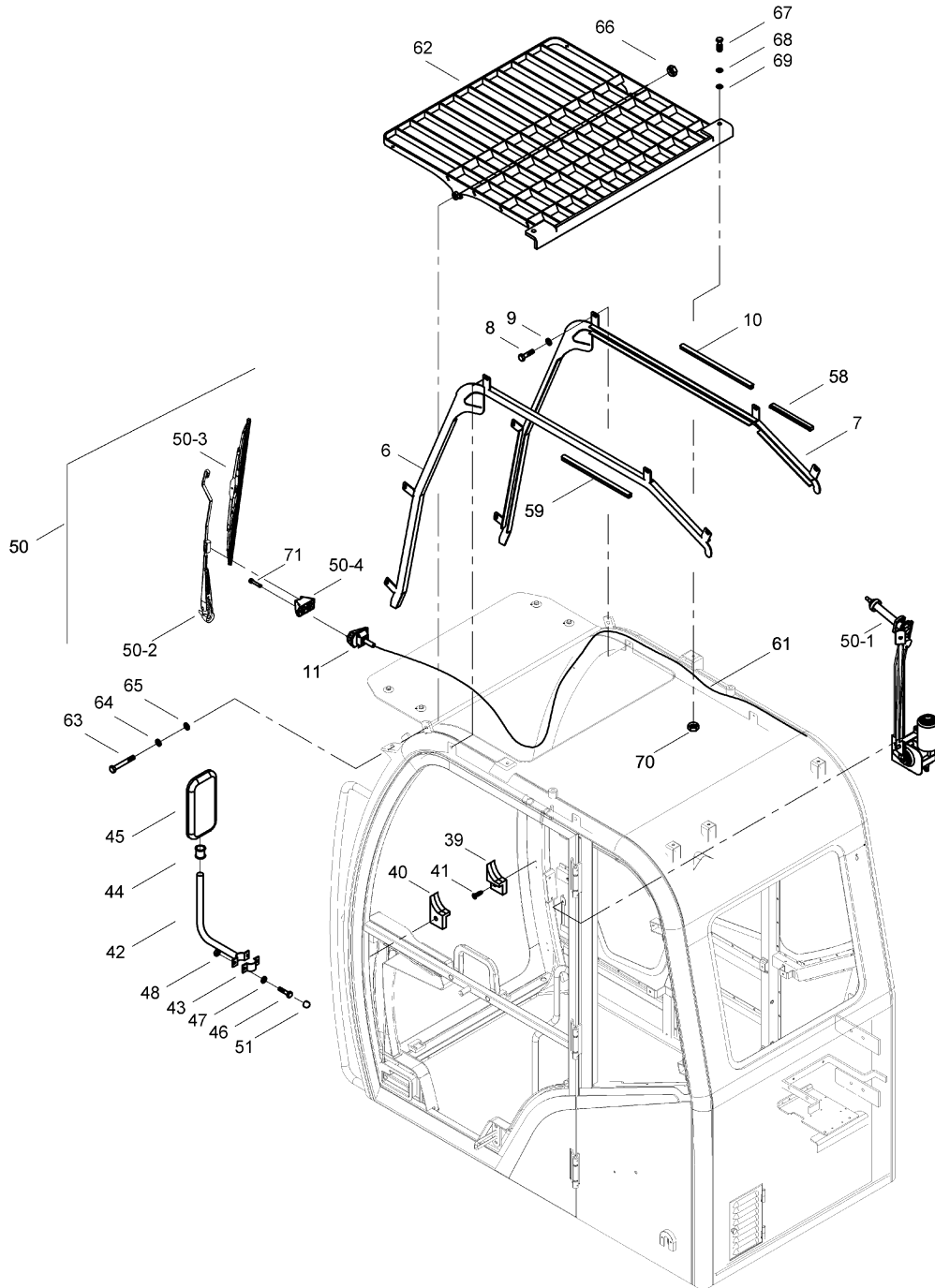




# KABİN DONANIMI CAB ACCESSORIES



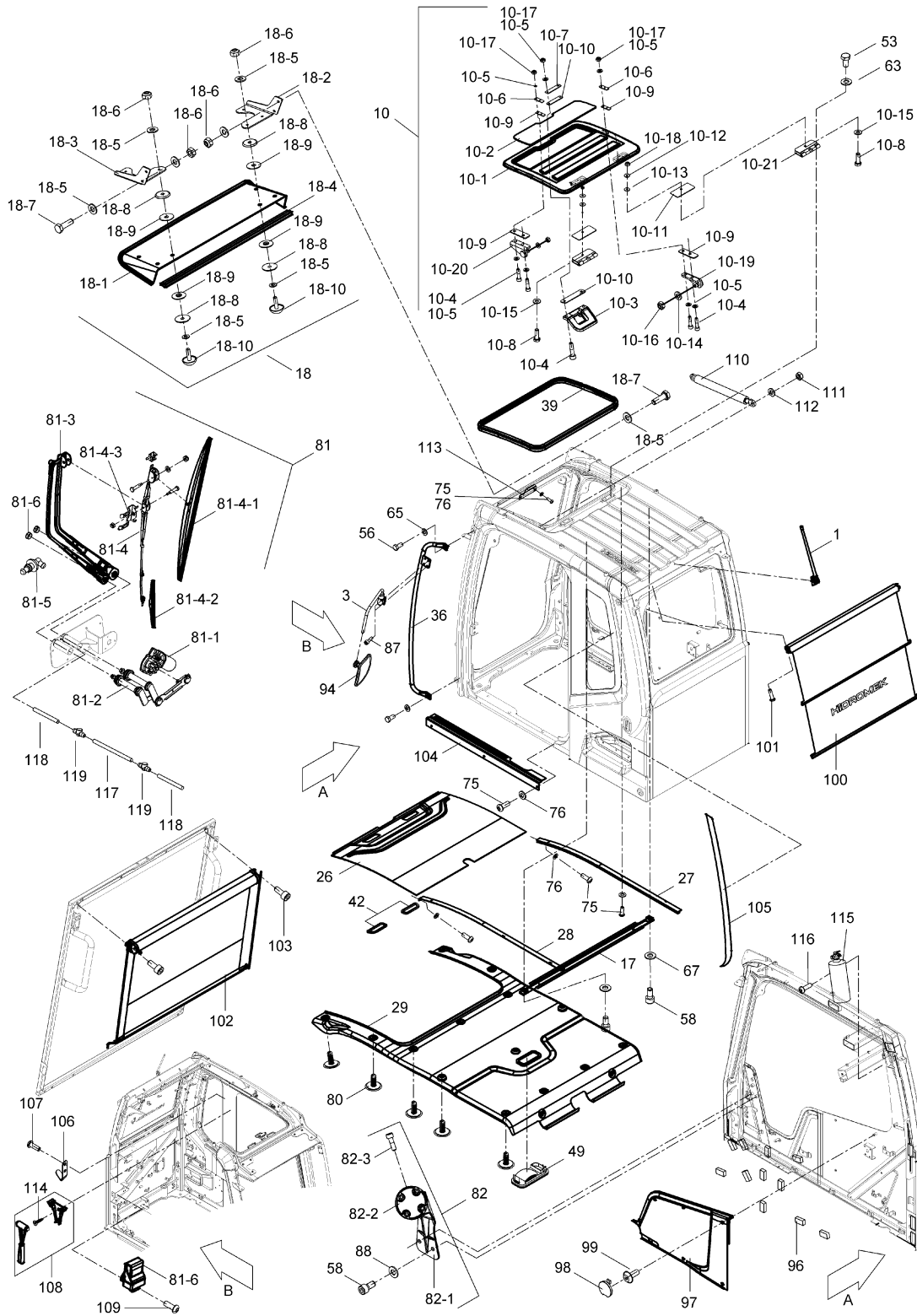
# KABİN DONANIMI CAB ACCESSORIES



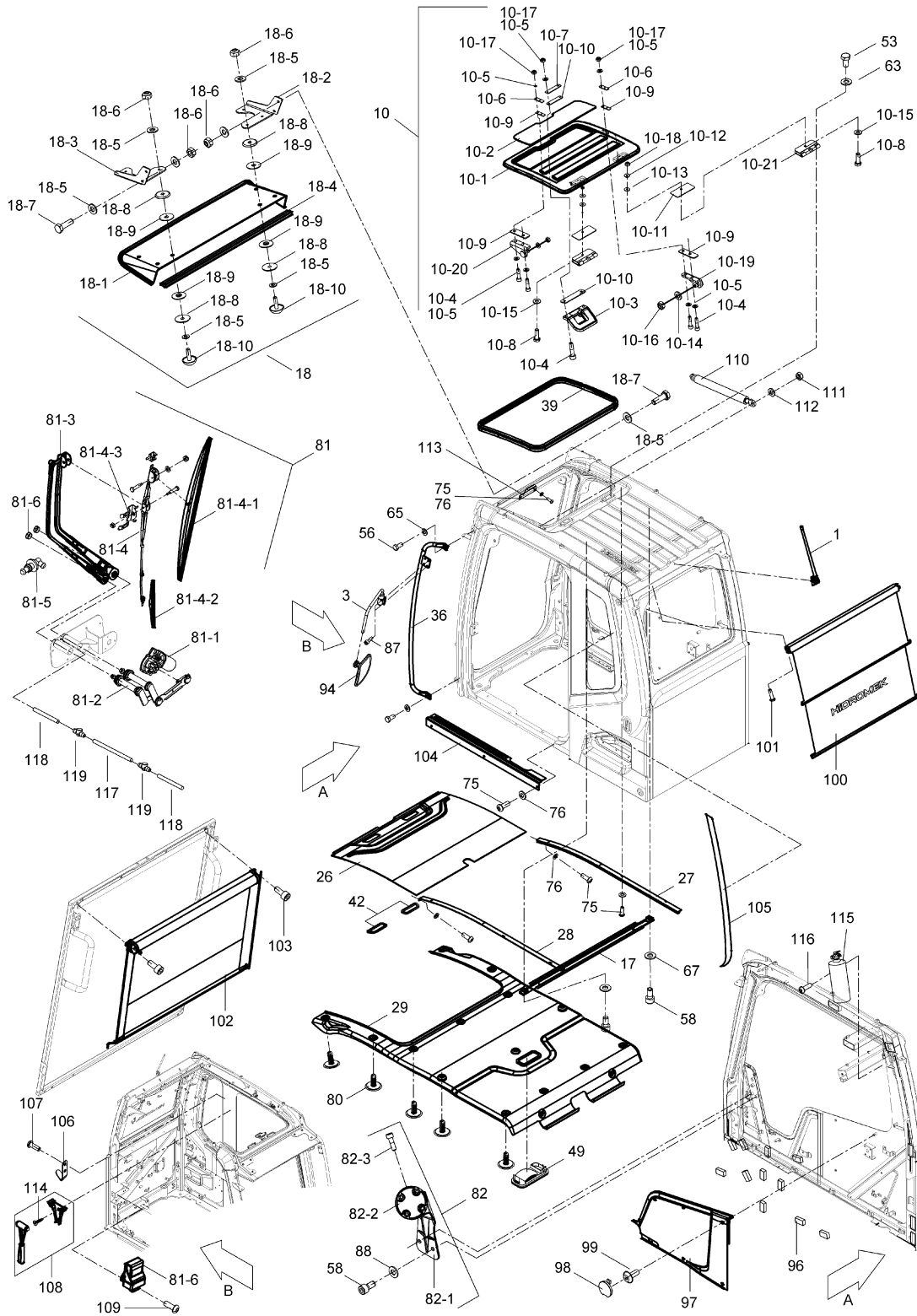




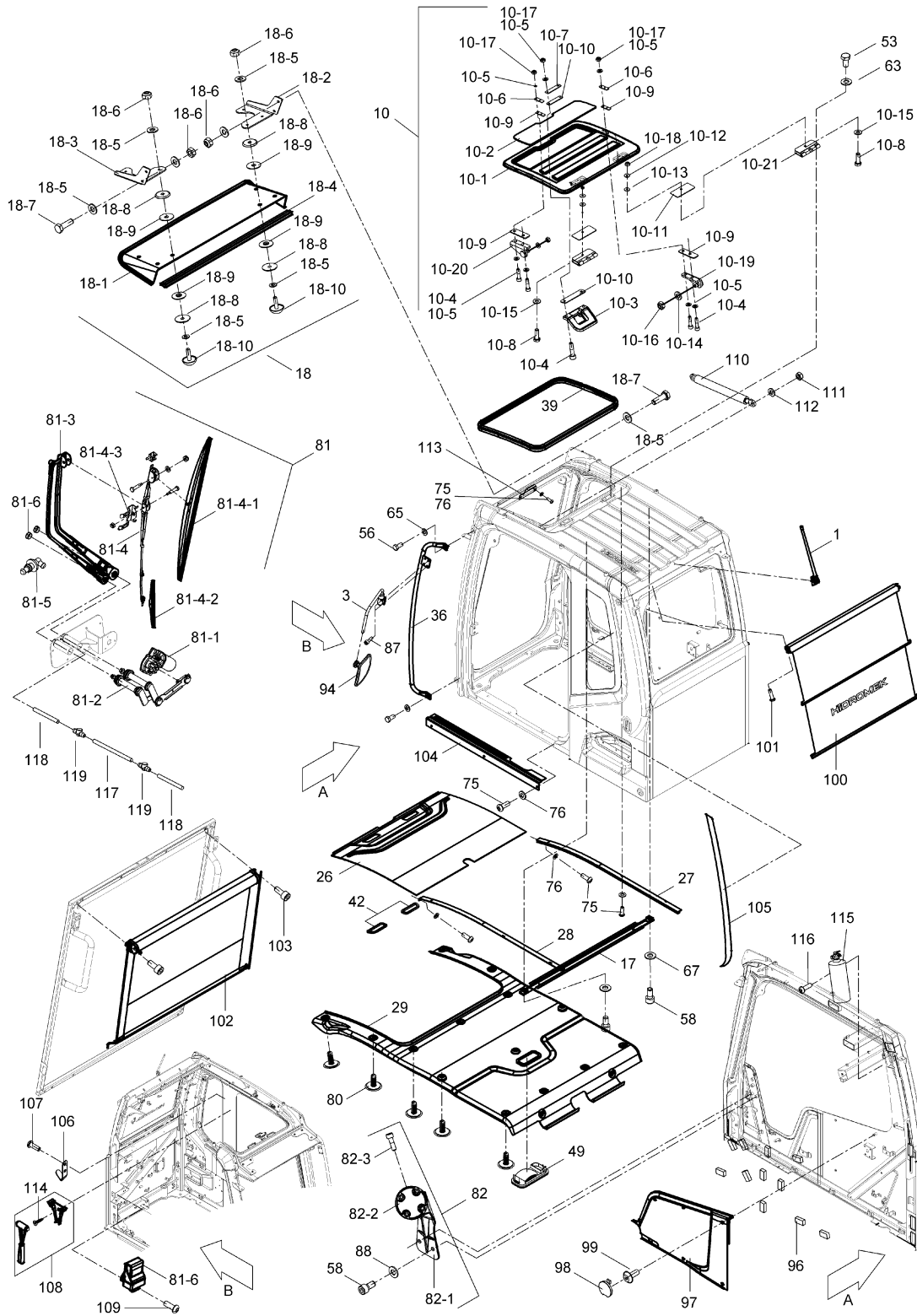
# KABİN DONANIMI CAB ACCESSORIES



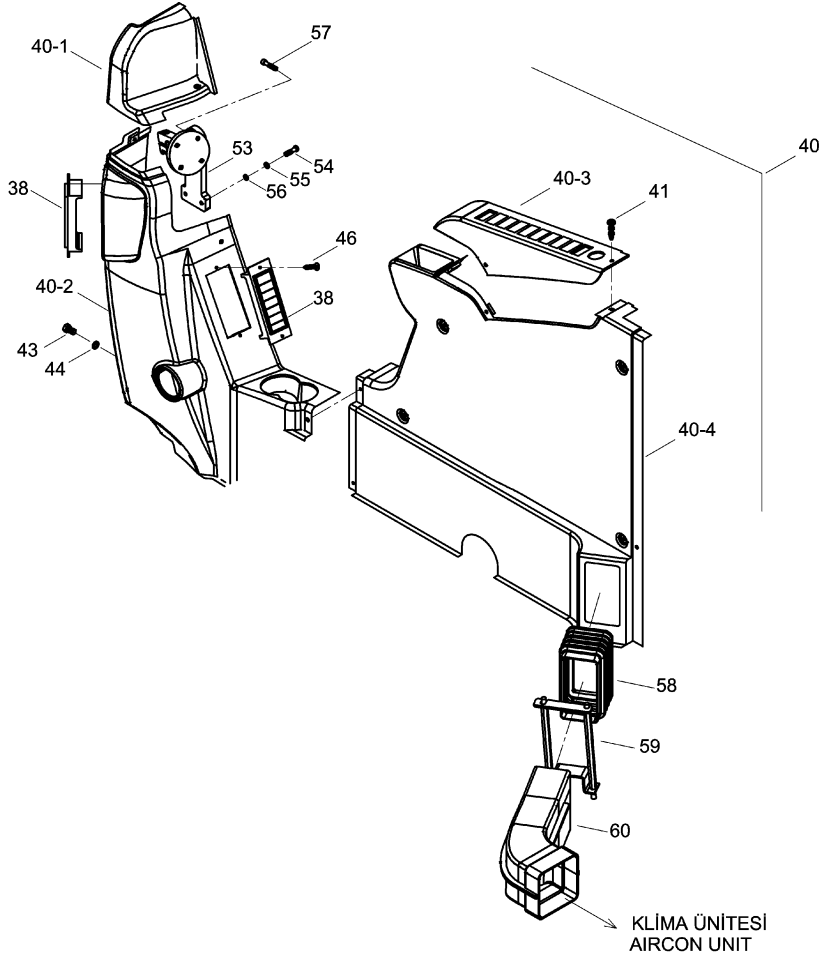
# KABİN DONANIMI CAB ACCESSORIES



# KABİN DONANIMI CAB ACCESSORIES

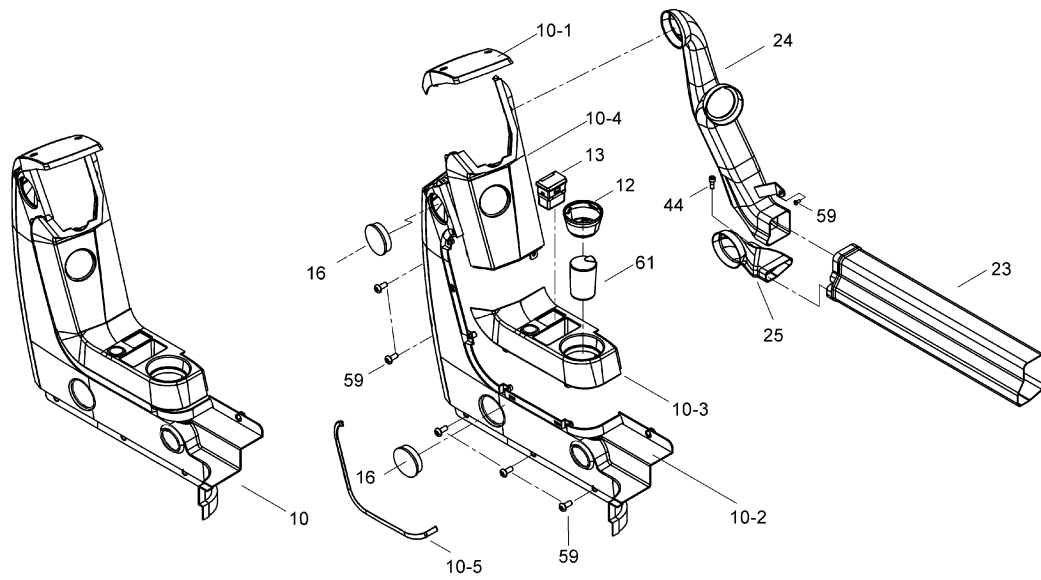


## KONSOL MONTAJI, ÖN CONSOLE ASS'Y, FRONT

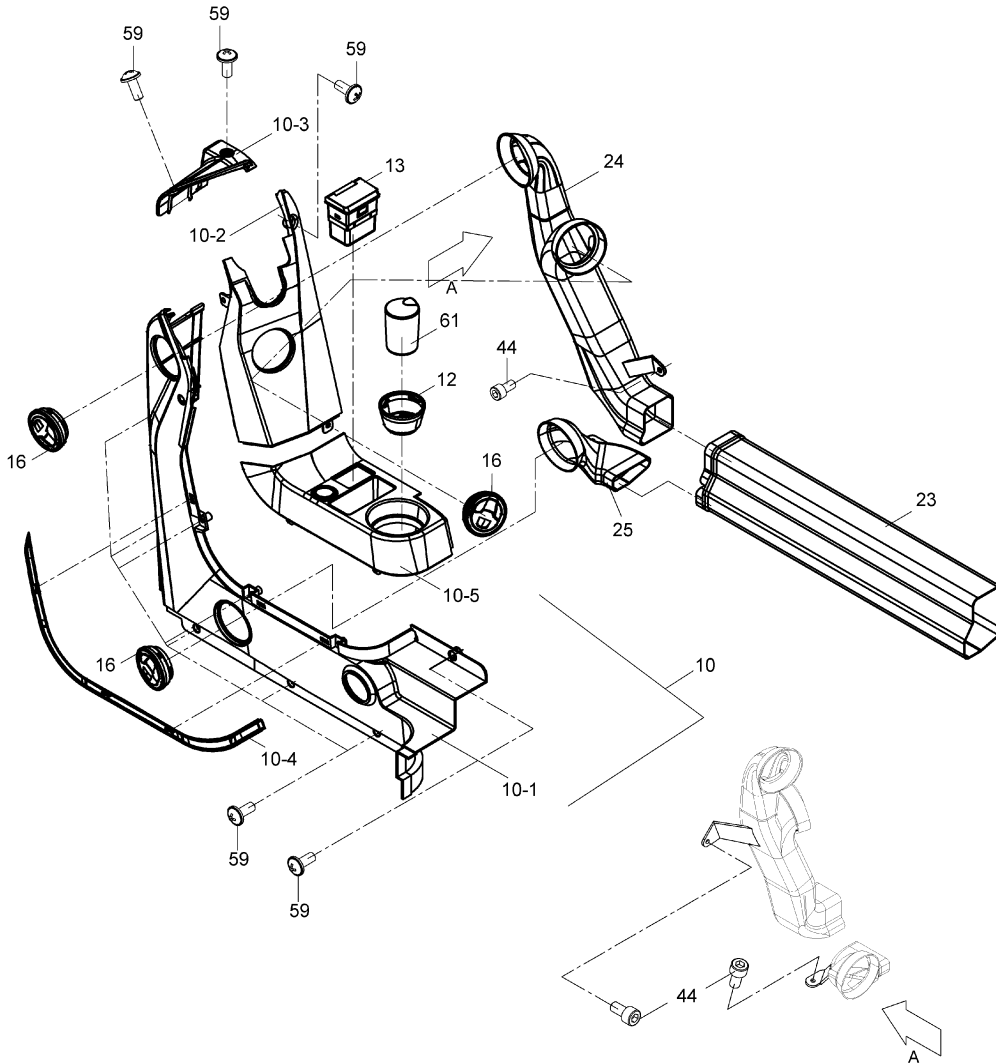




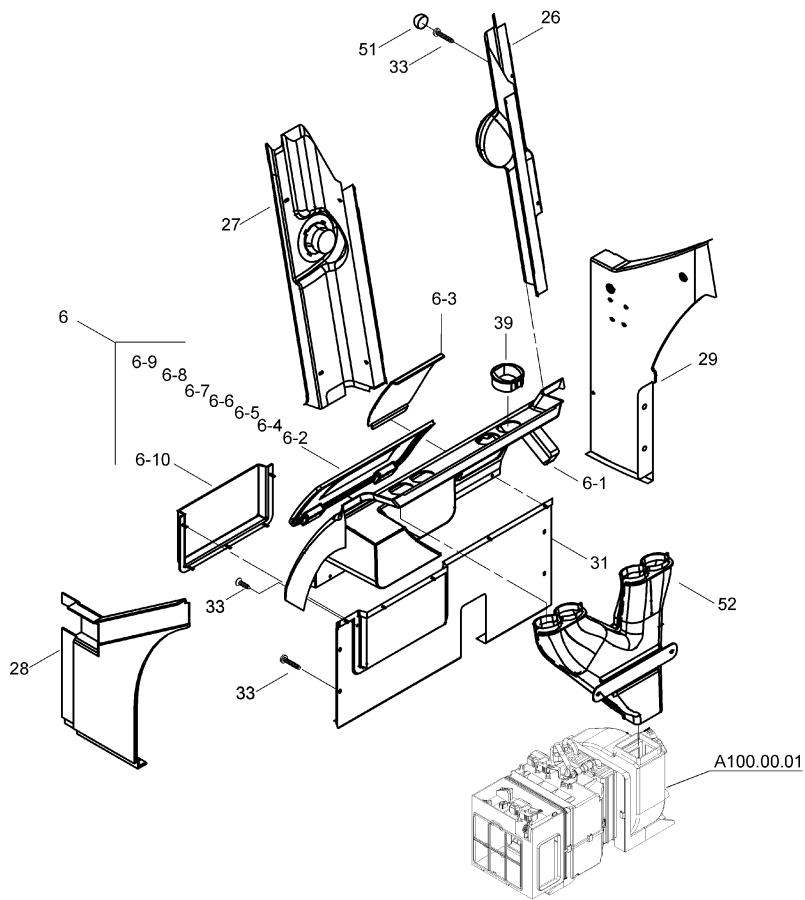
# KONSOL MONTAJI, ÖN CONSOLE ASS'Y, FRONT



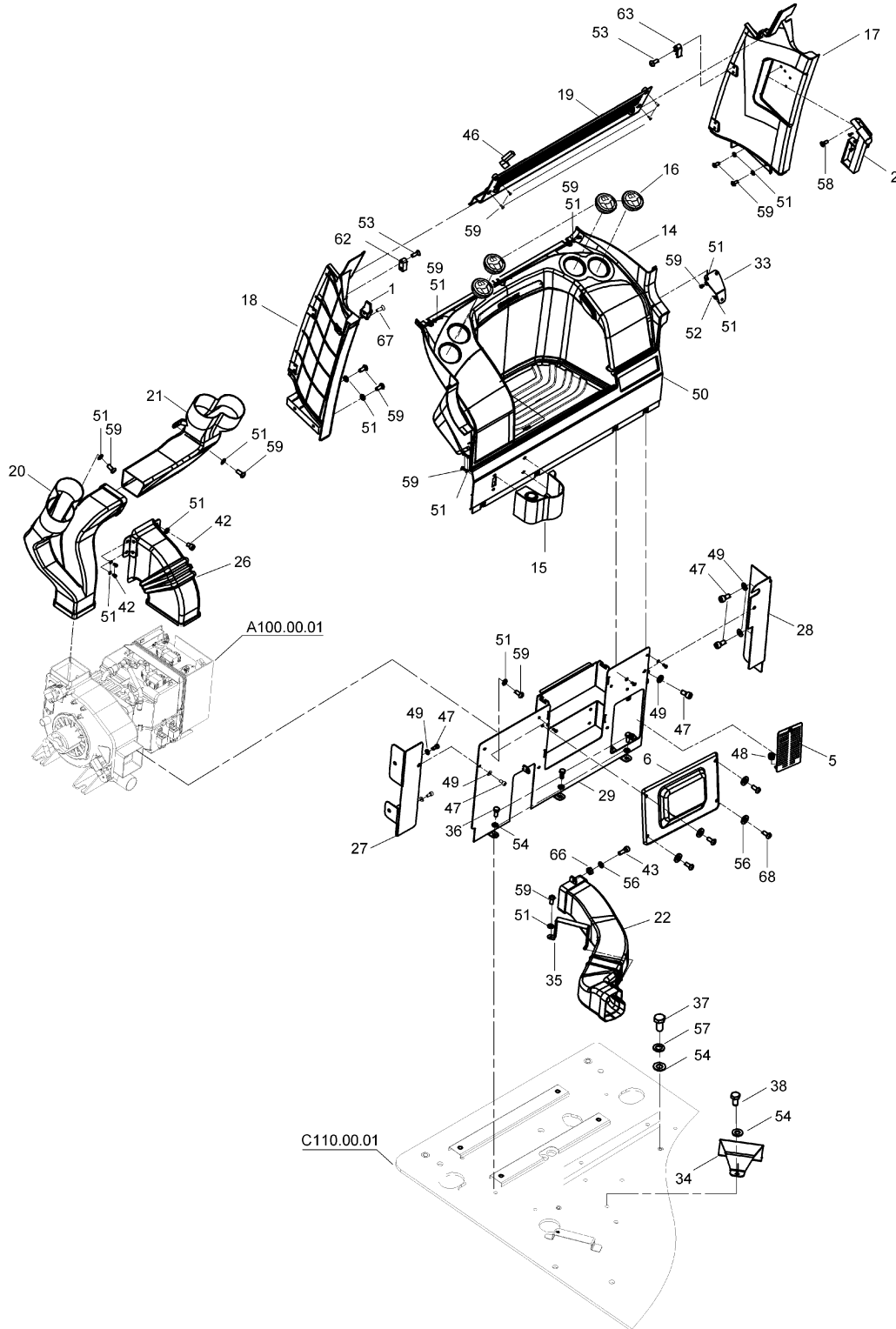
# KONSOL MONTAJI, ÖN CONSOLE ASS'Y, FRONT



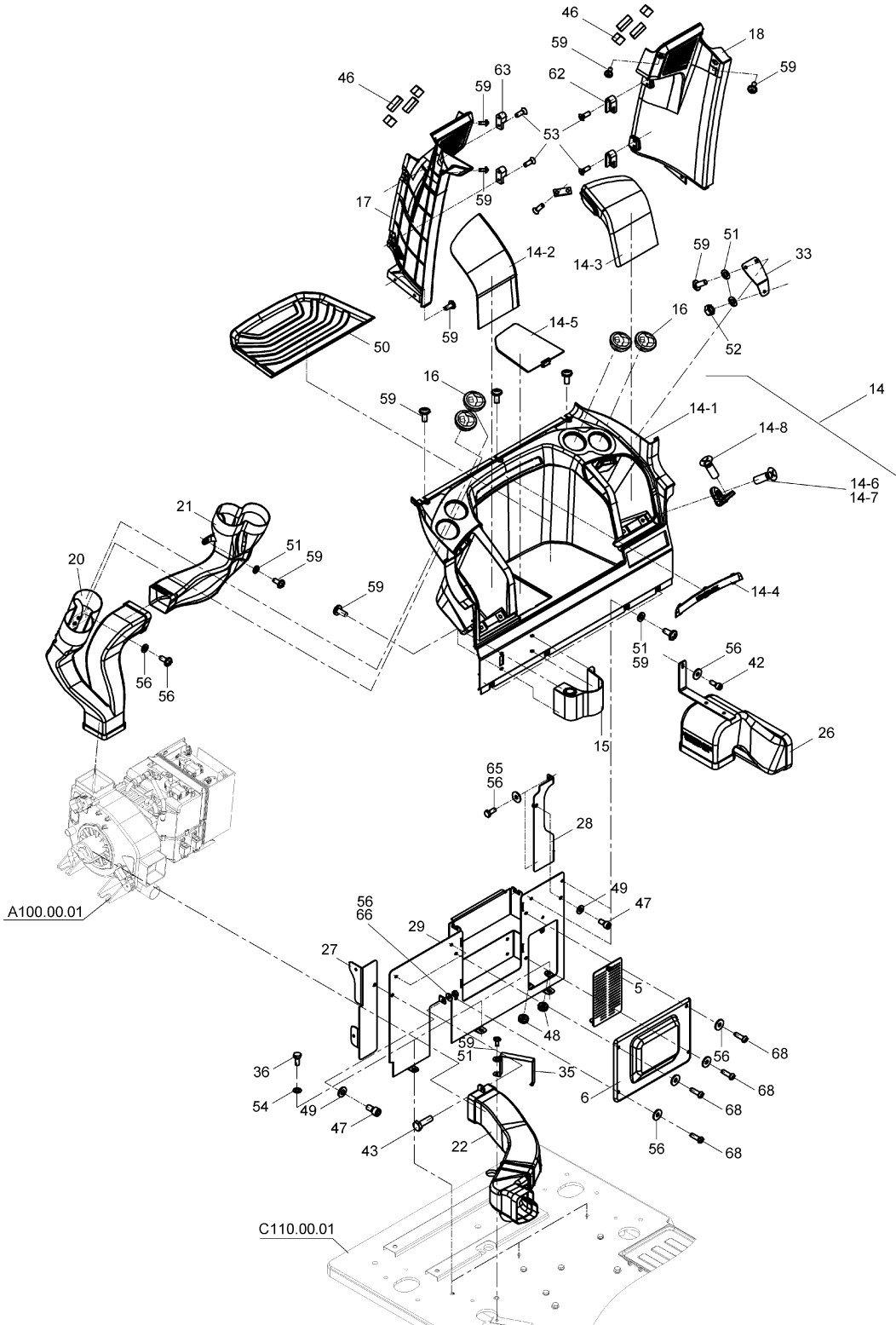
### KONSOL MONTAJI, ARKA CONSOLE ASS'Y, REAR

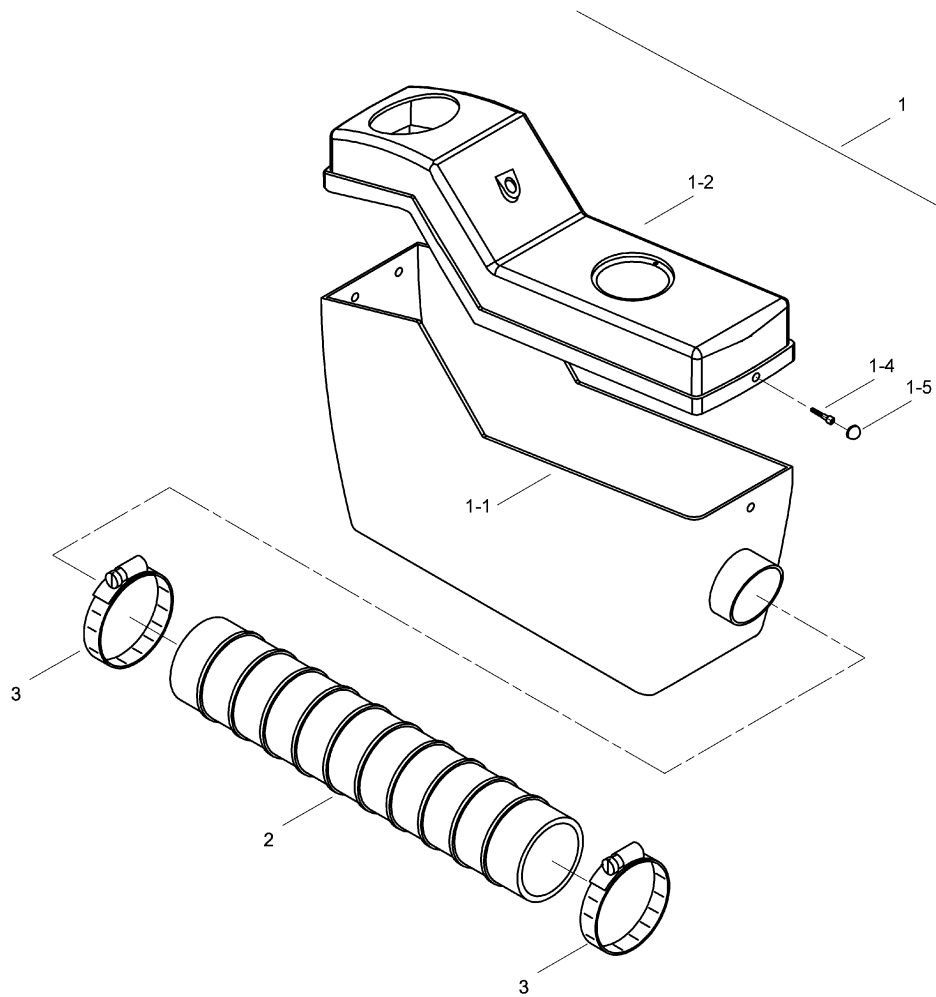


### KONSOL MONTAJI, ARKA CONSOLE ASS'Y, REAR



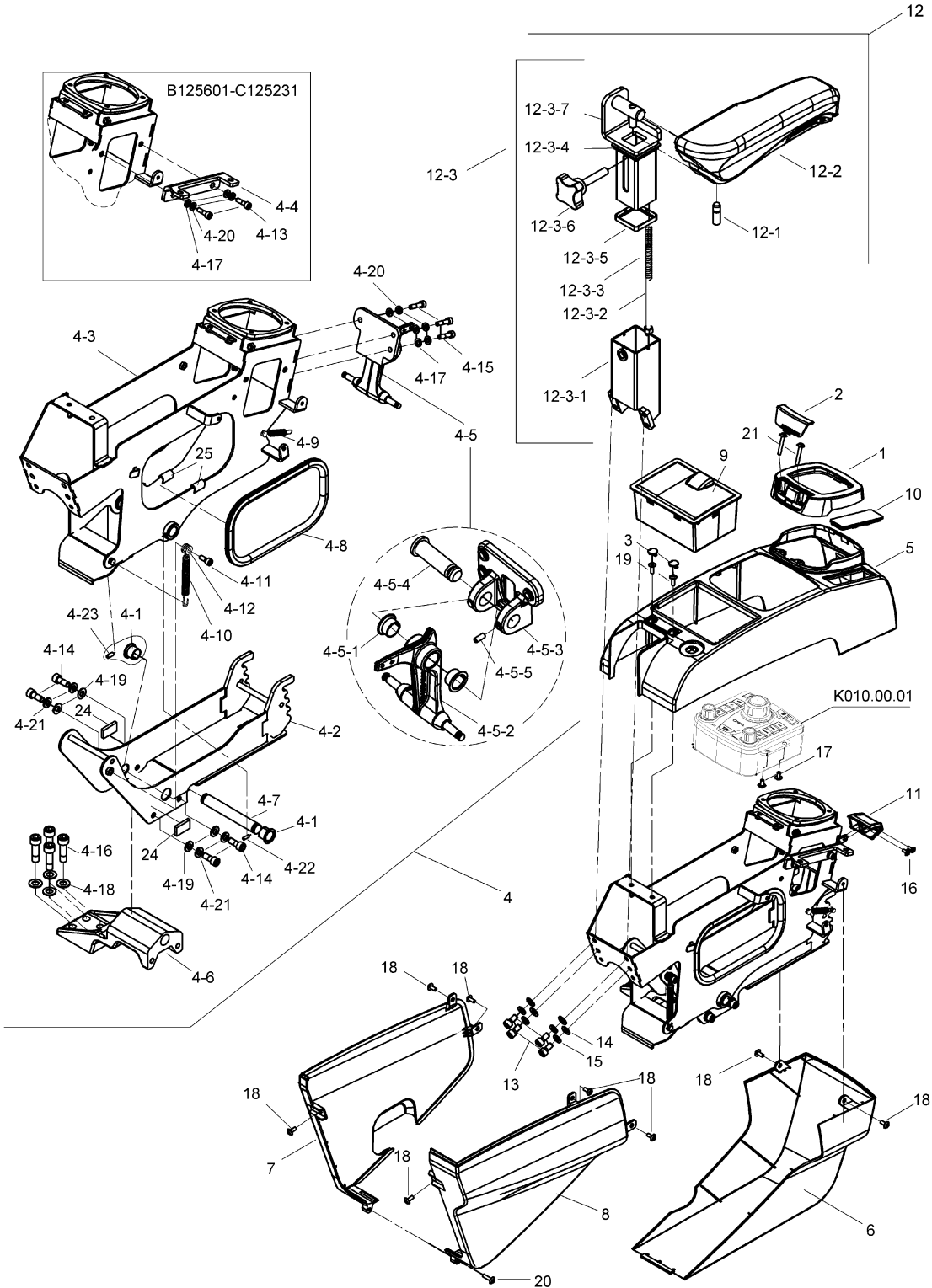
### KONSOL MONTAJI, ARKA CONSOLE ASS'Y, REAR



**KONSOL MONTAJI, SAĞ**  
**CONSOLE ASS'Y, RH**

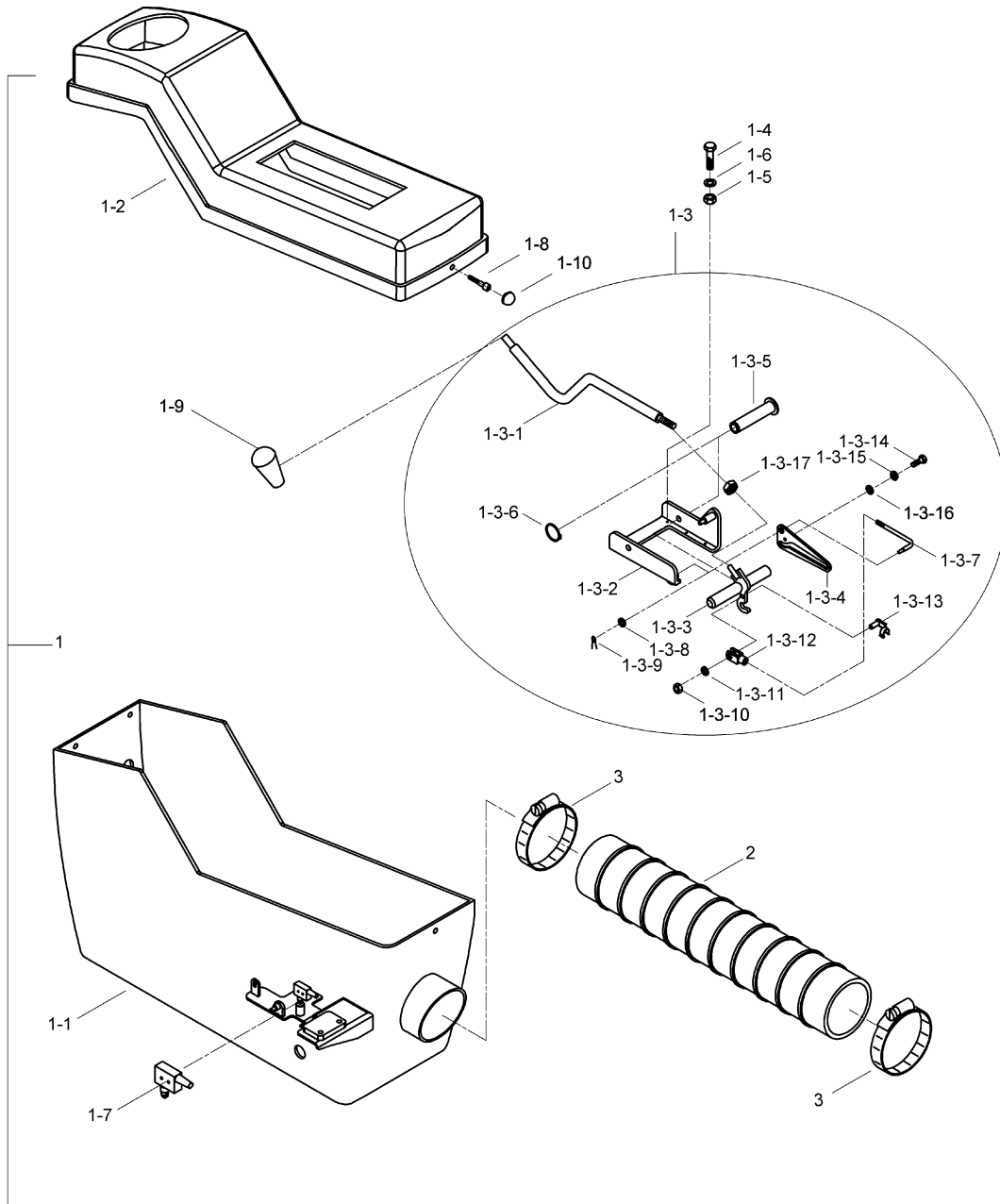


### KONSOL MONTAJI, SAĞ CONSOLE ASS'Y, RH

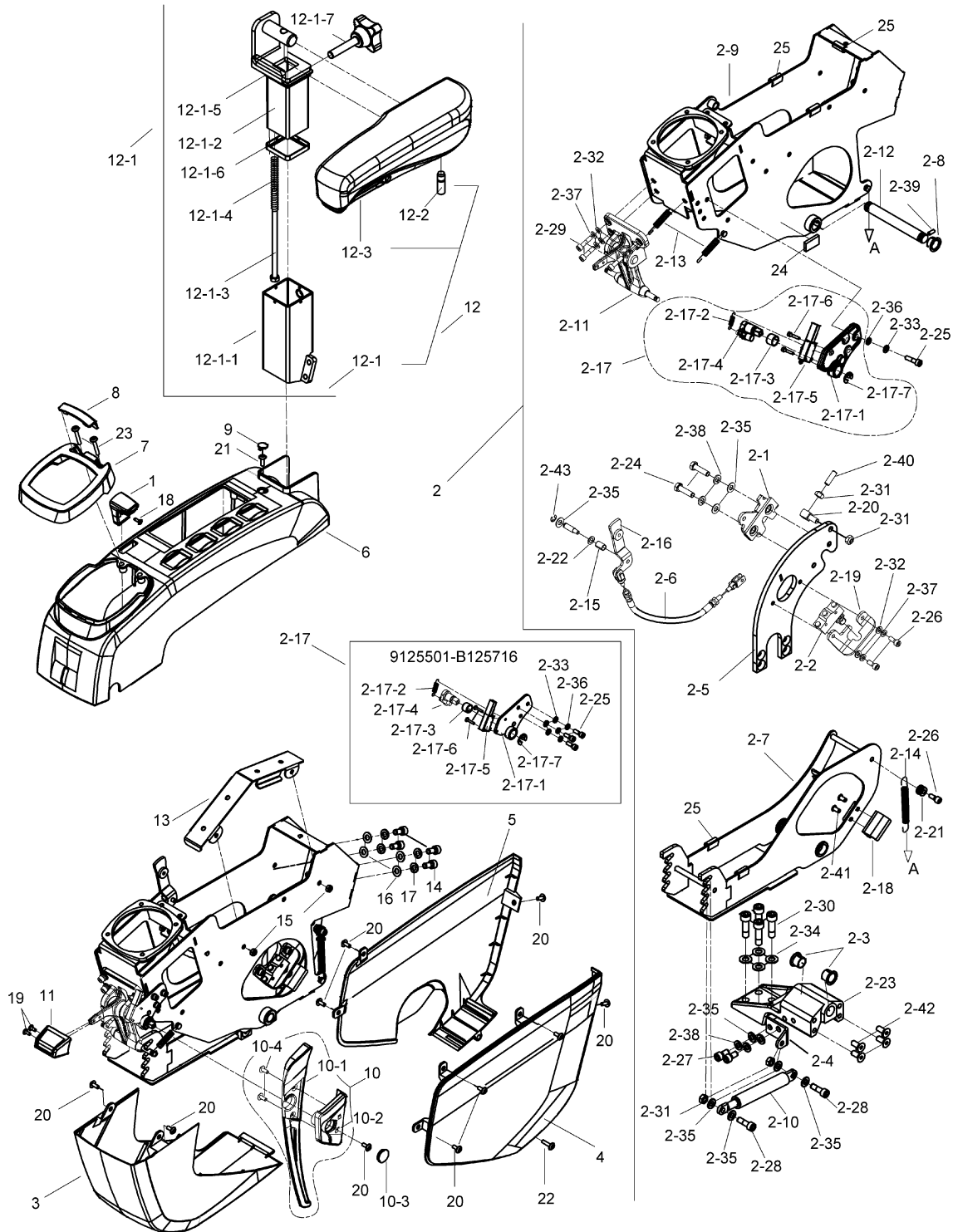




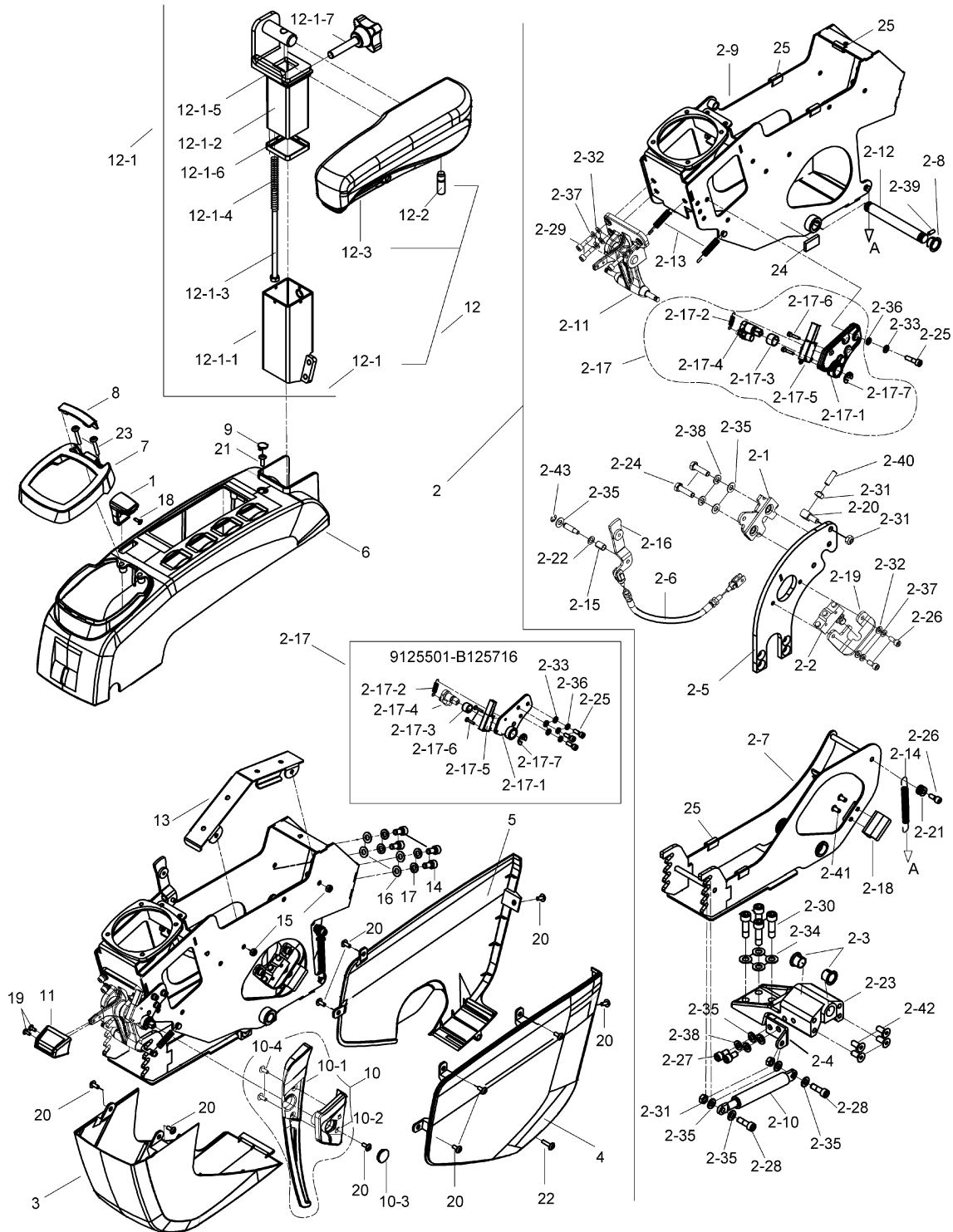
### KONSOL MONTAJI, SOL CONSOLE ASS'Y, LH



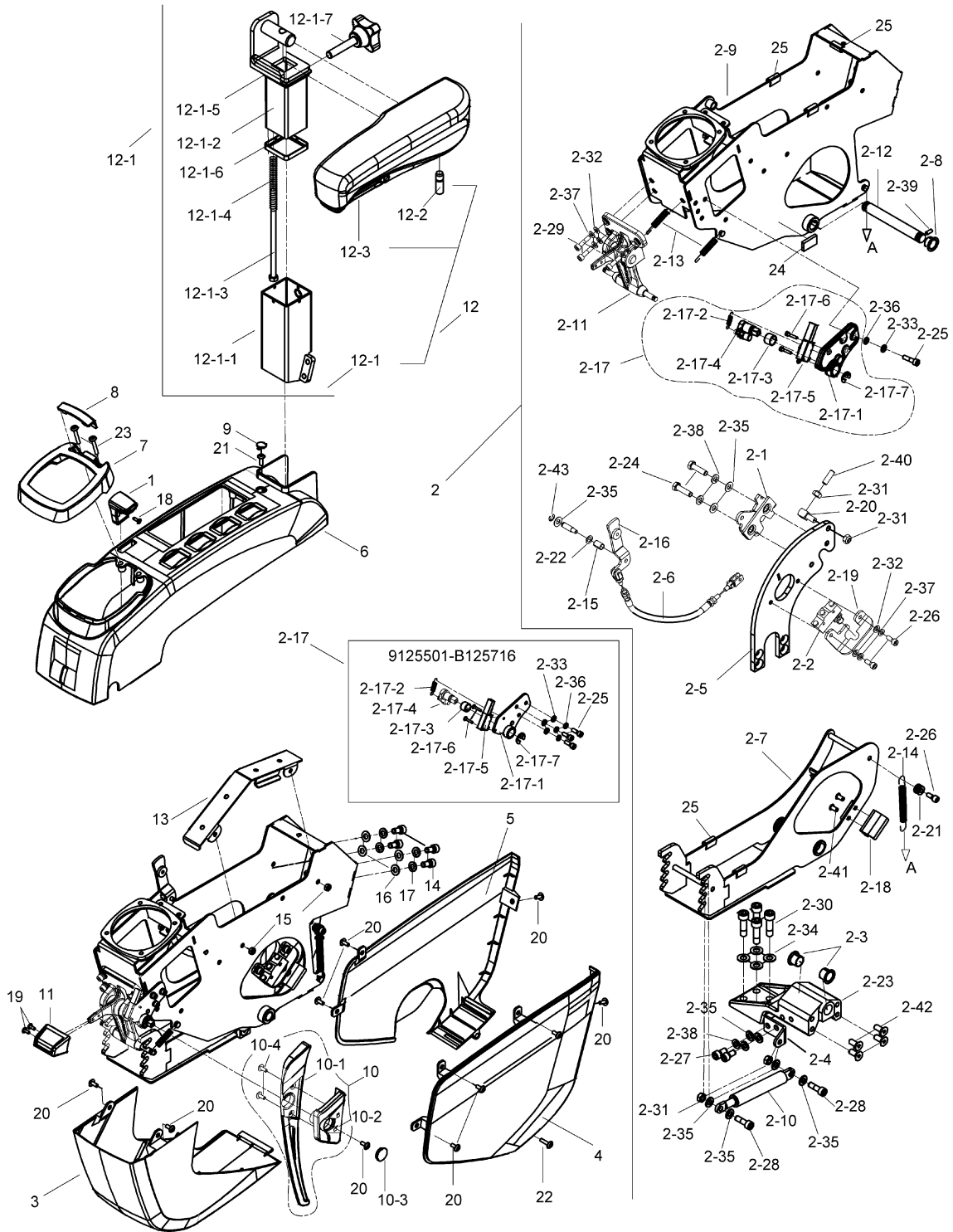
### KONSOL MONTAJI, SOL CONSOLE ASS'Y, LH



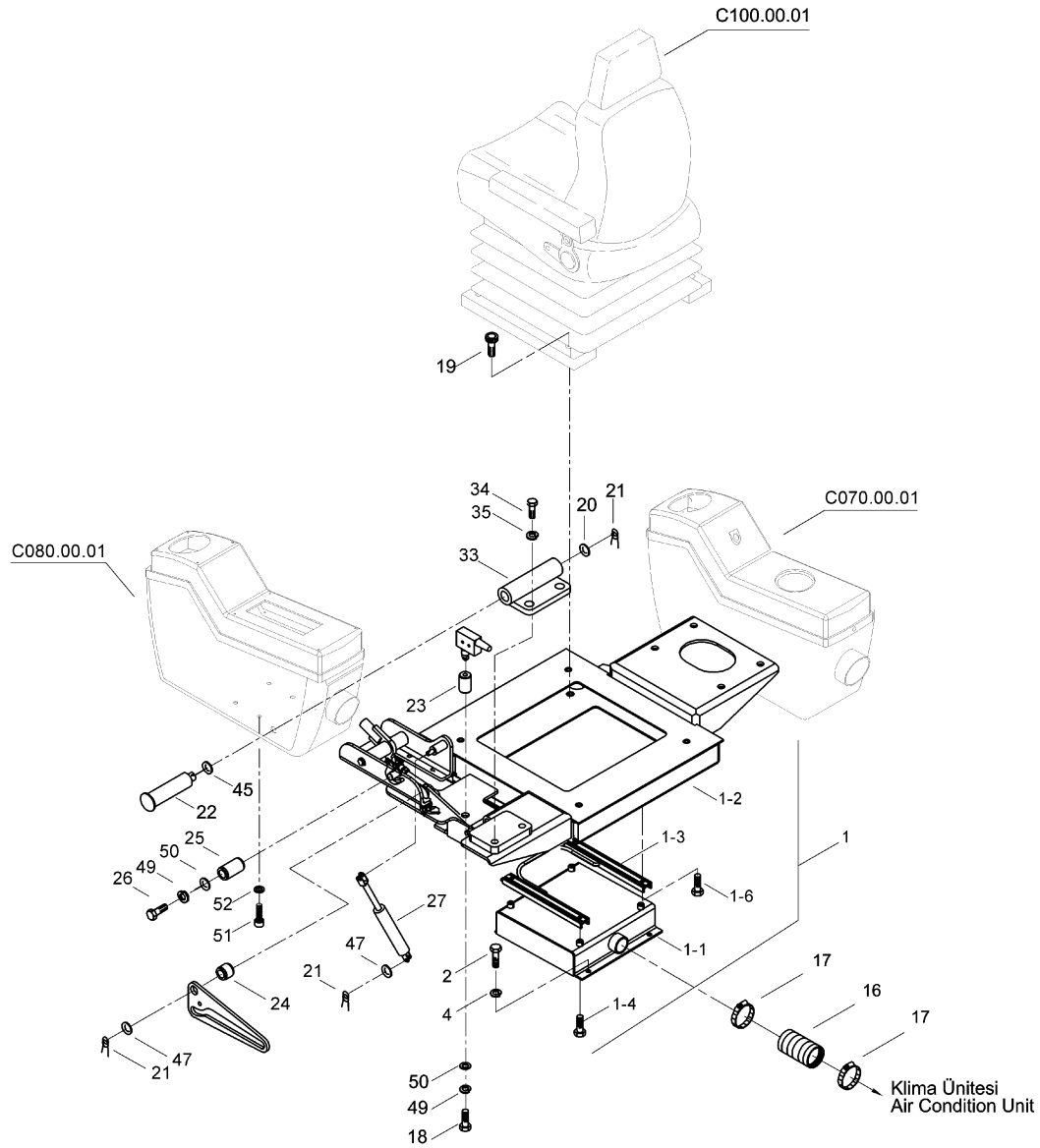
### KONSOL MONTAJI, SOL CONSOLE ASS'Y, LH



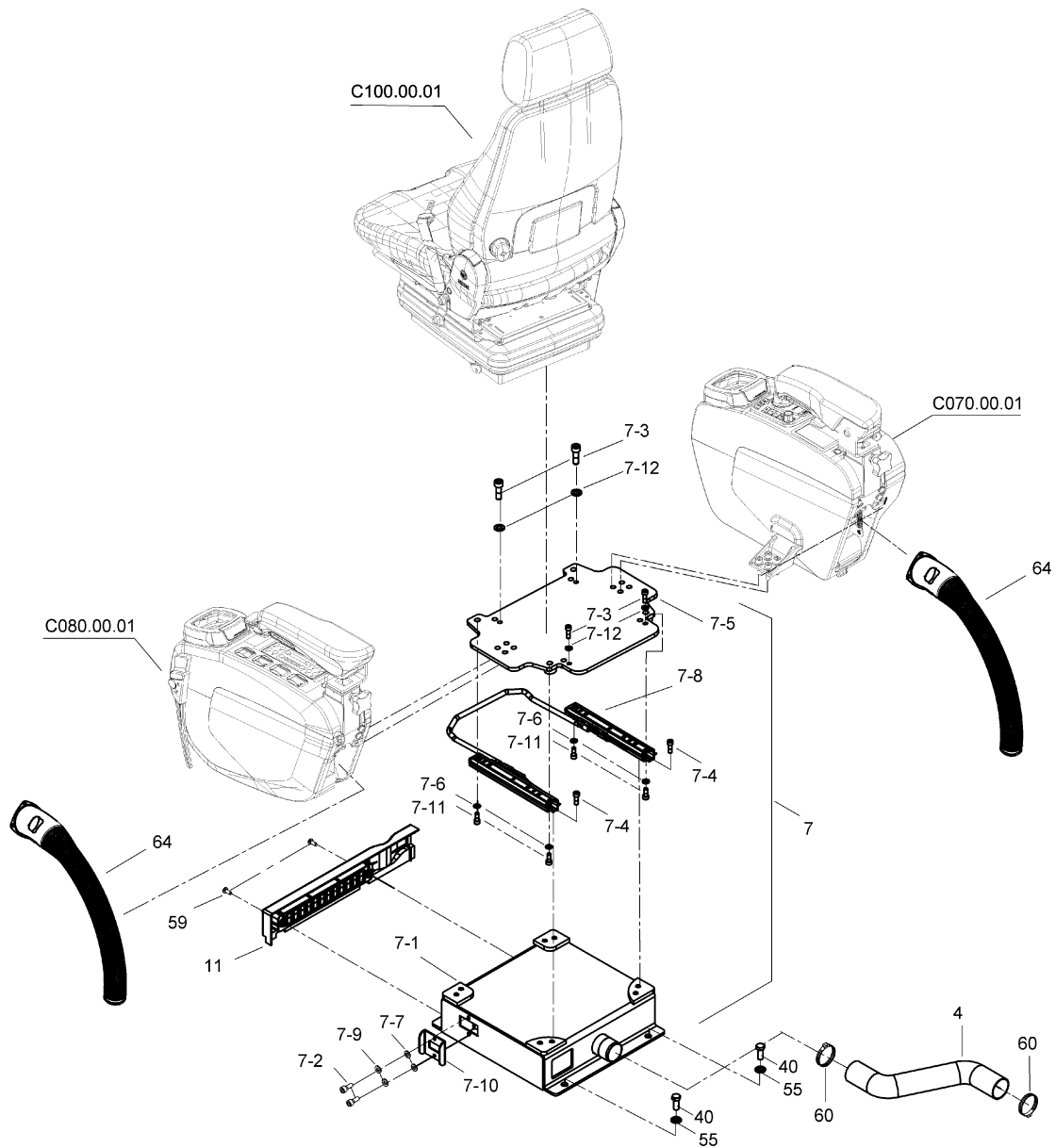
### KONSOL MONTAJI, SOL CONSOLE ASS'Y, LH



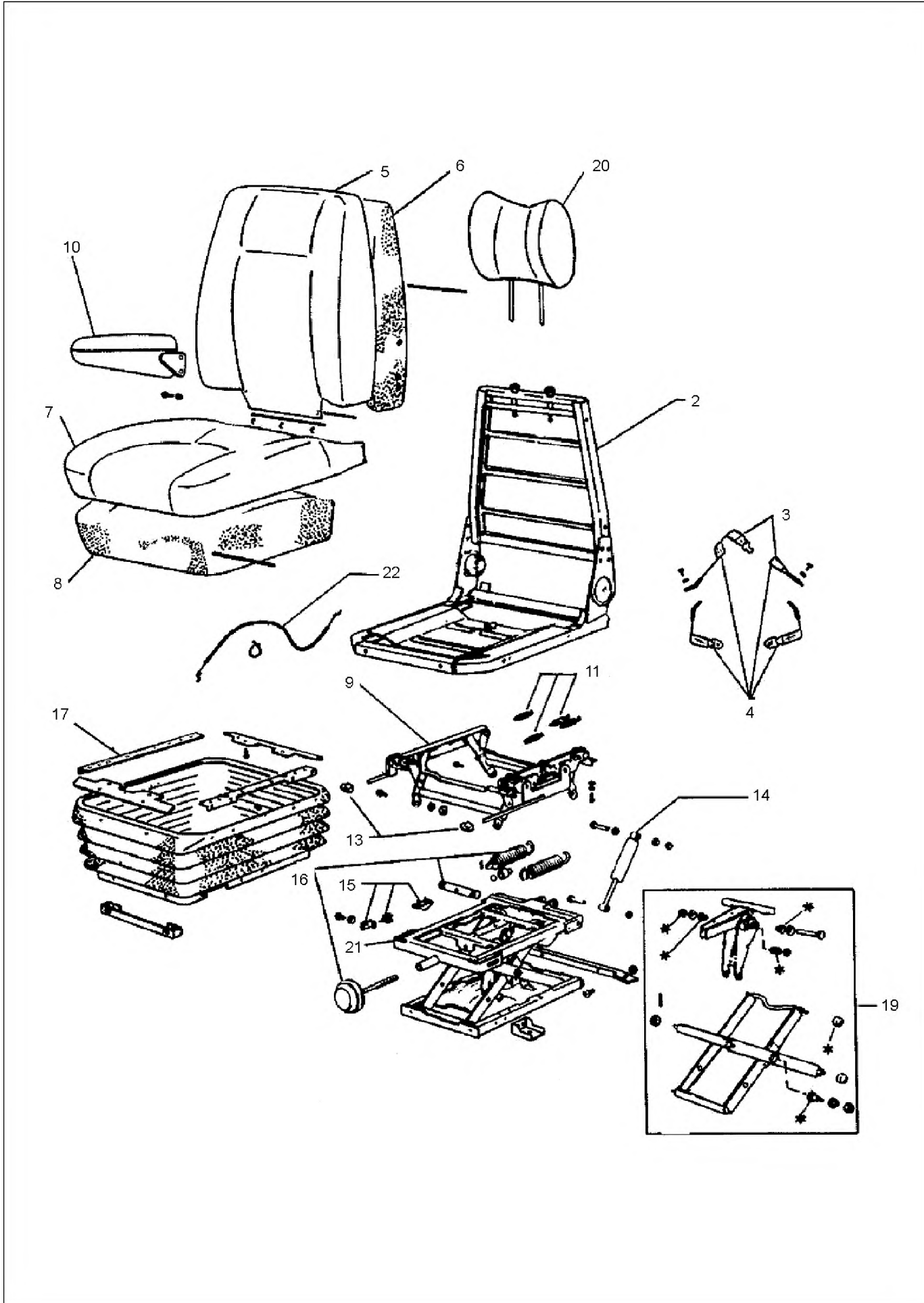
## OPERATÖR KOLTUK MONTAJI OPERATOR SEAT MOUNTING



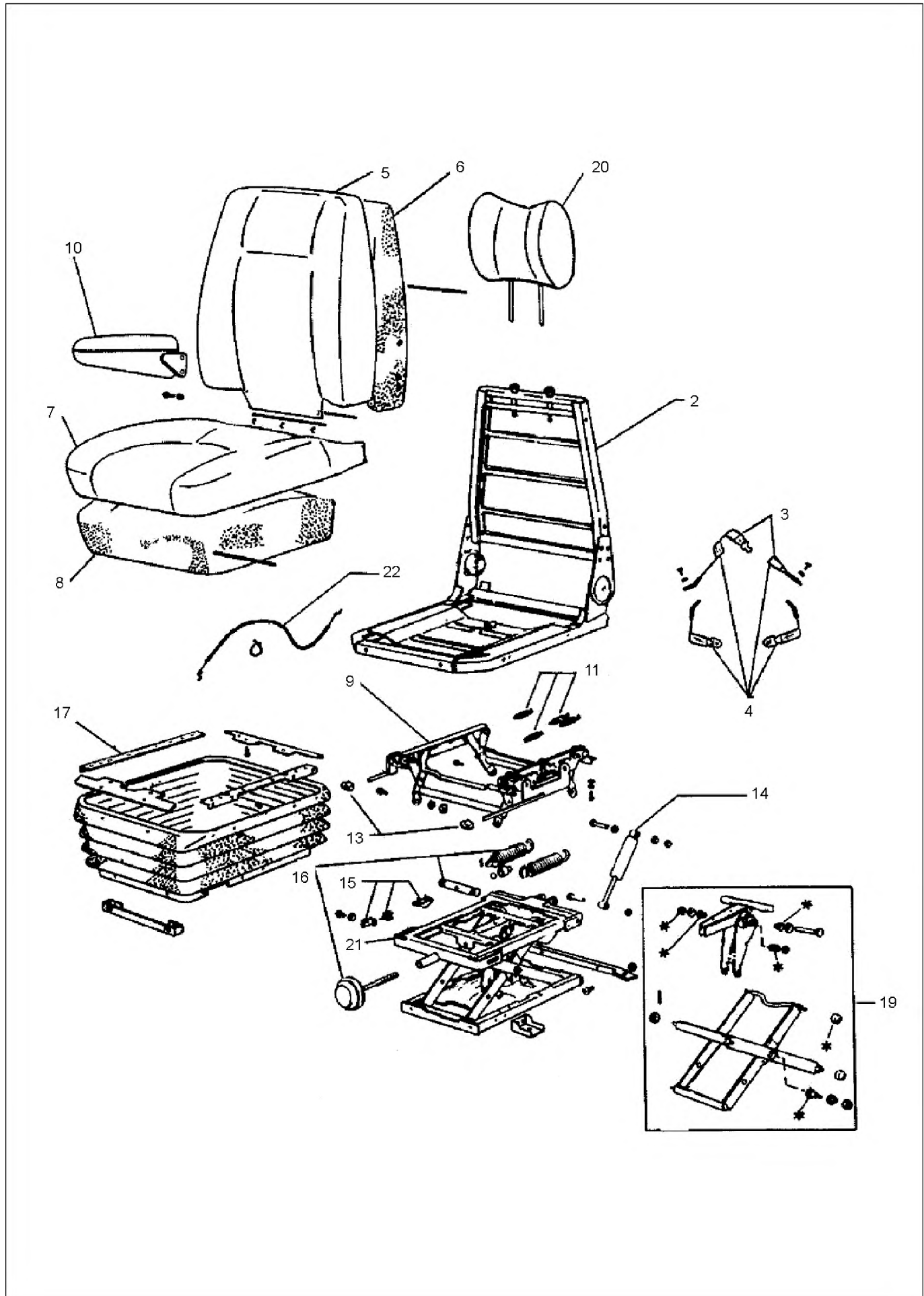
# OPERATÖR KOLTUK MONTAJI OPERATOR SEAT MOUNTING



# OPERATÖR KOLTUK KOMPLESİ OPERATOR SEAT ASS'Y

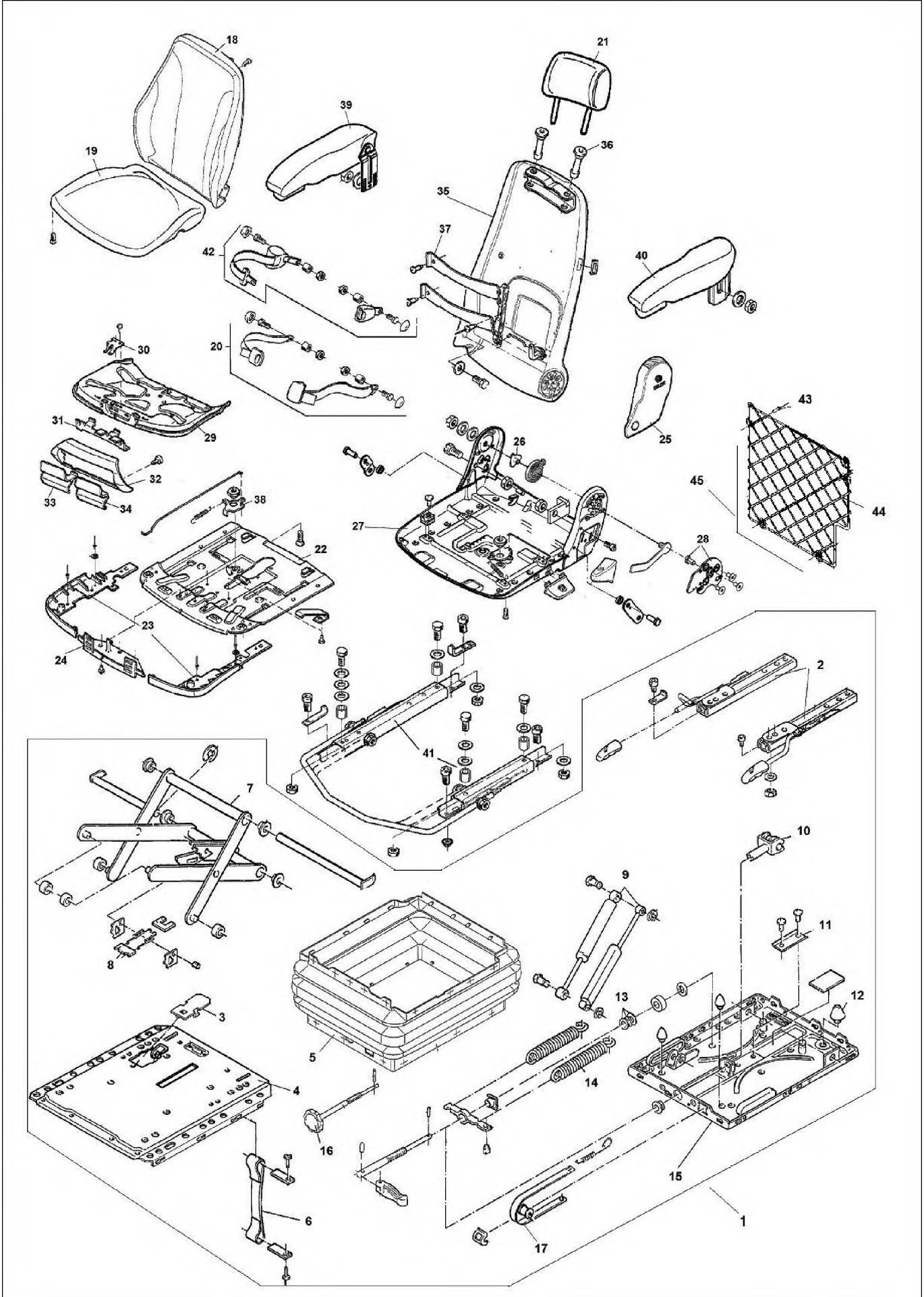


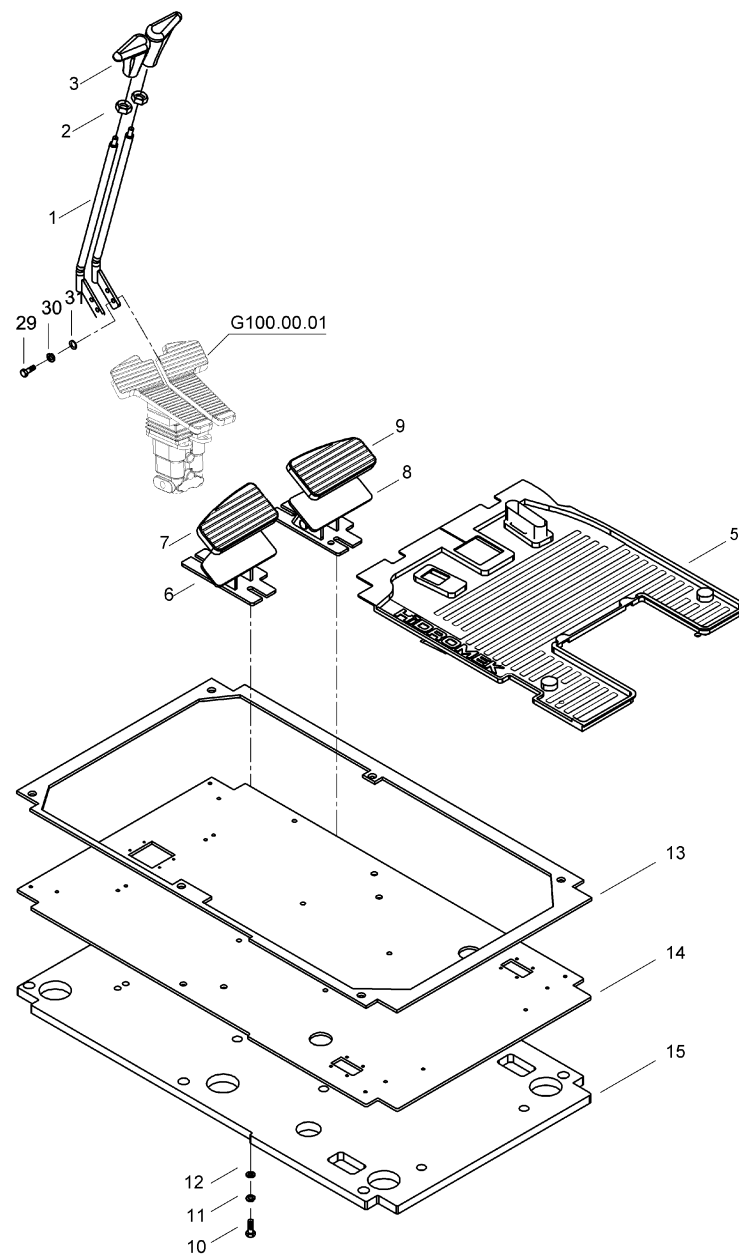
# OPERATÖR KOLTUK KOMPLESİ OPERATOR SEAT ASS'Y

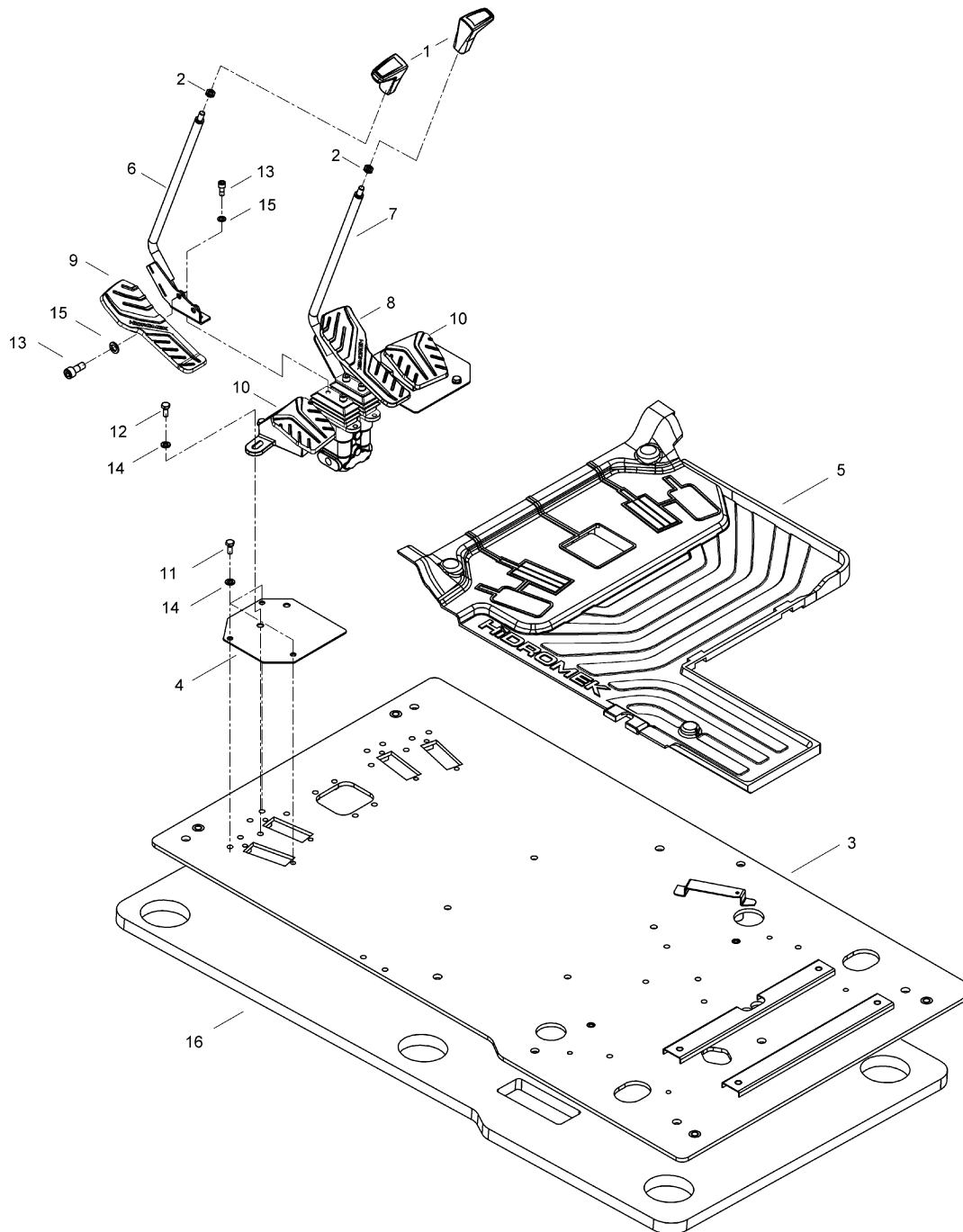


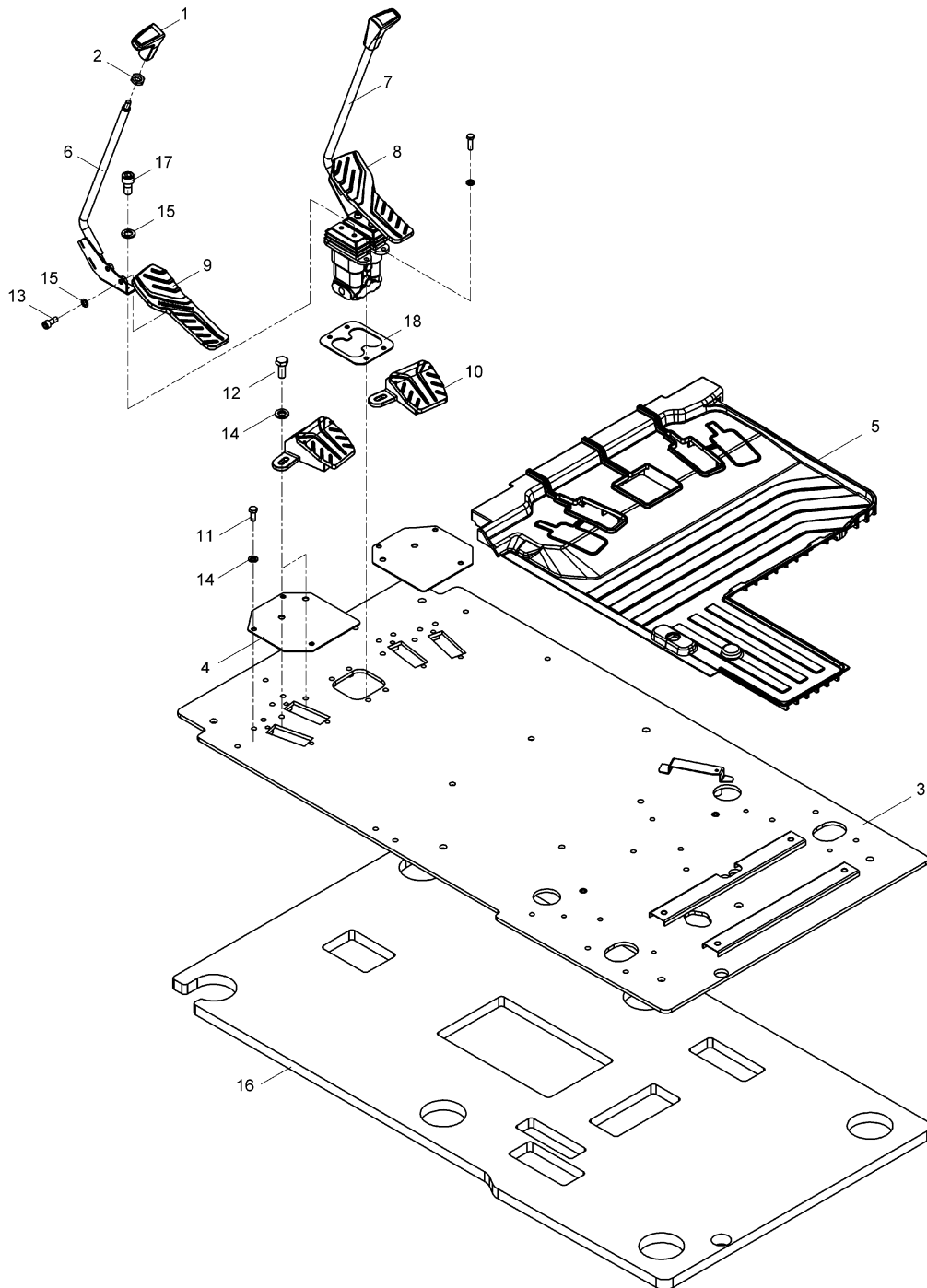


# OPERATÖR KOLTUK KOMPLESİ OPERATOR SEAT ASS'Y

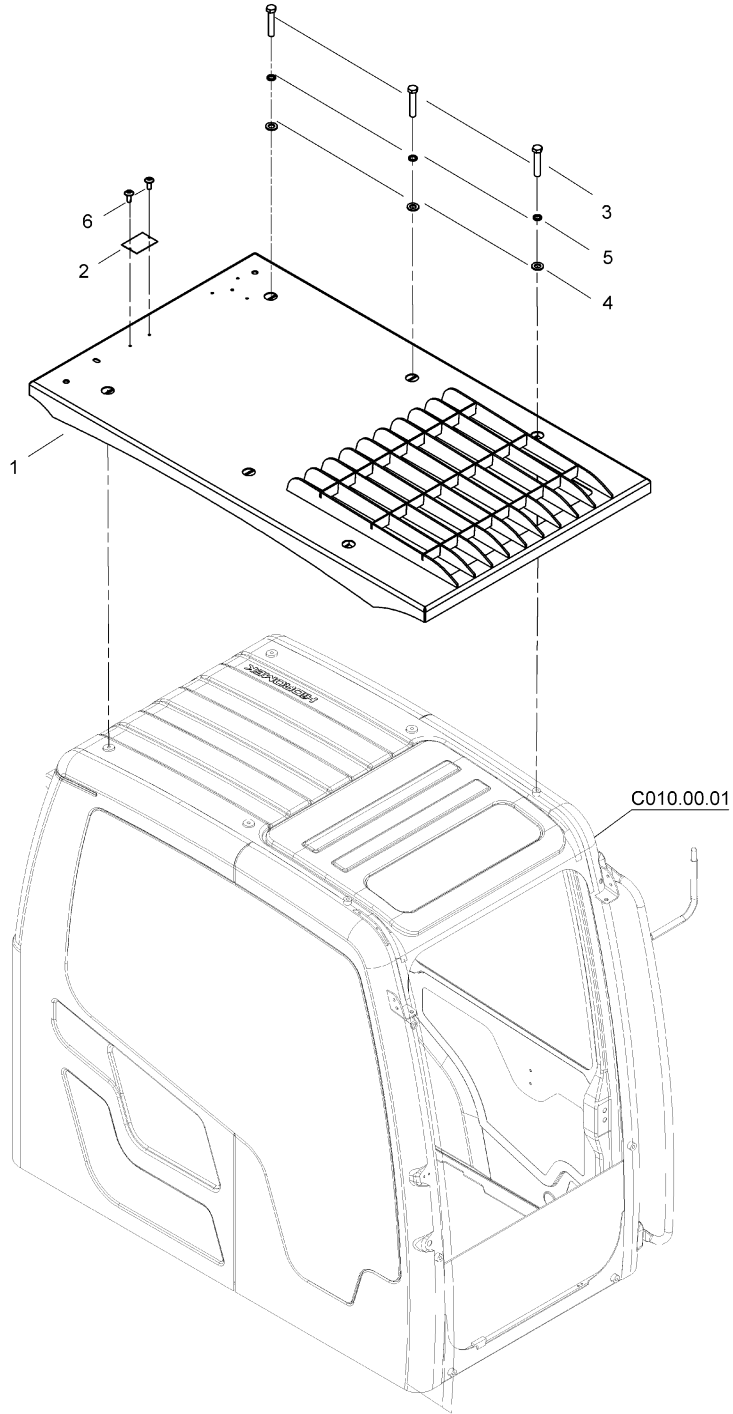


PLATFORM MONTAJI  
PLATFORM ASS'Y

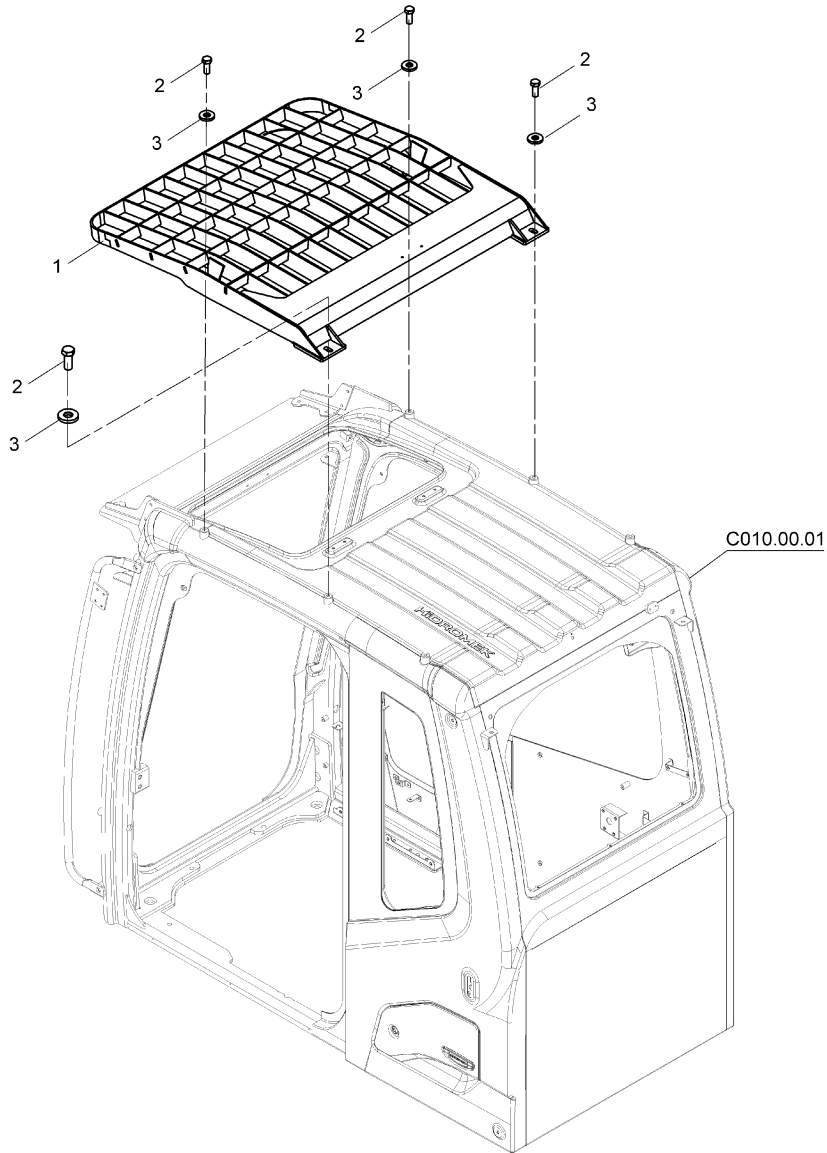
PLATFORM MONTAJI  
PLATFORM ASS'Y

**PLATFORM MONTAJI**  
**PLATFORM ASS'Y**

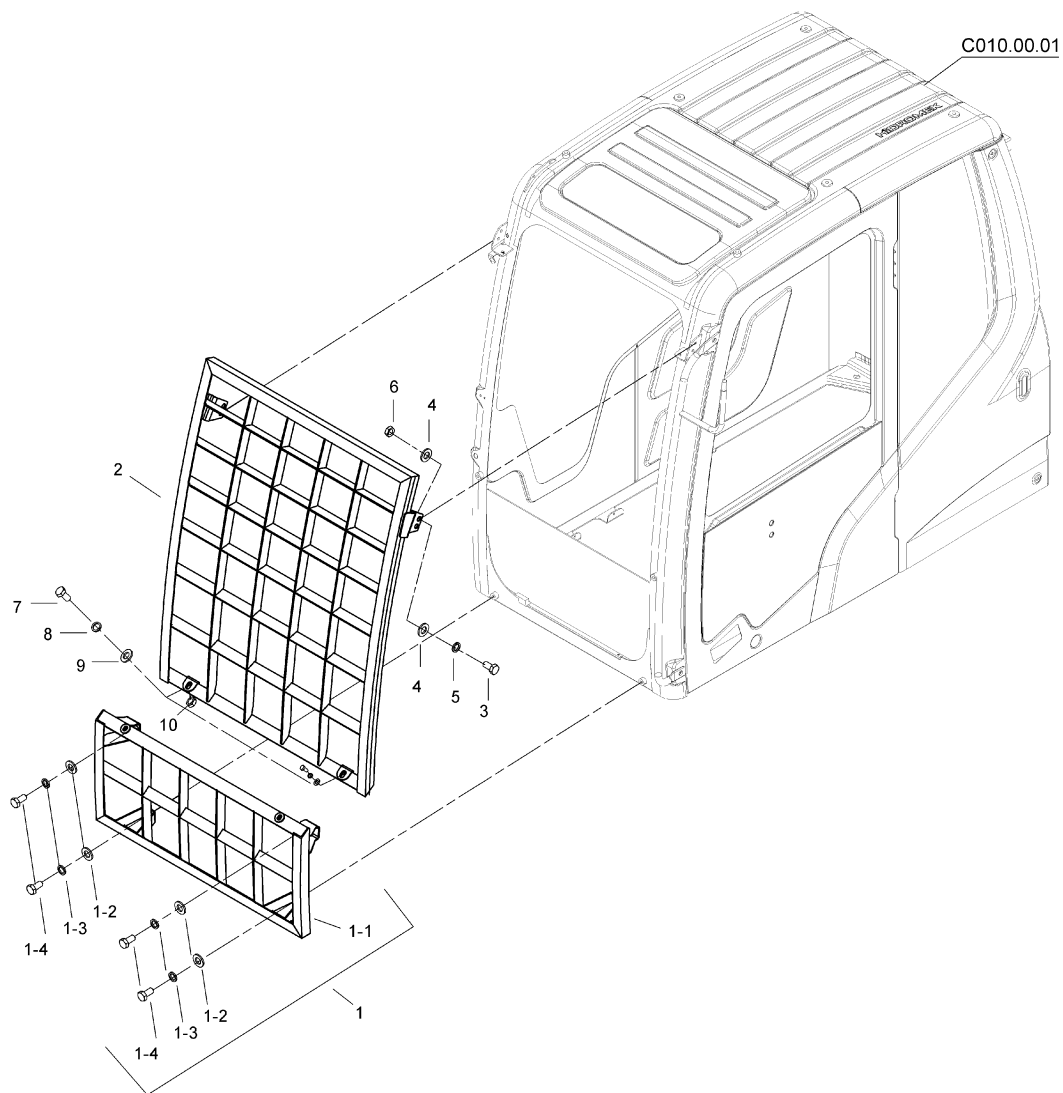
**KABİN ÜST KORUMA MONTAJI, FOPS II (OP)**  
**ROOF GUARD MOUNTING, FOPS II (OP)**



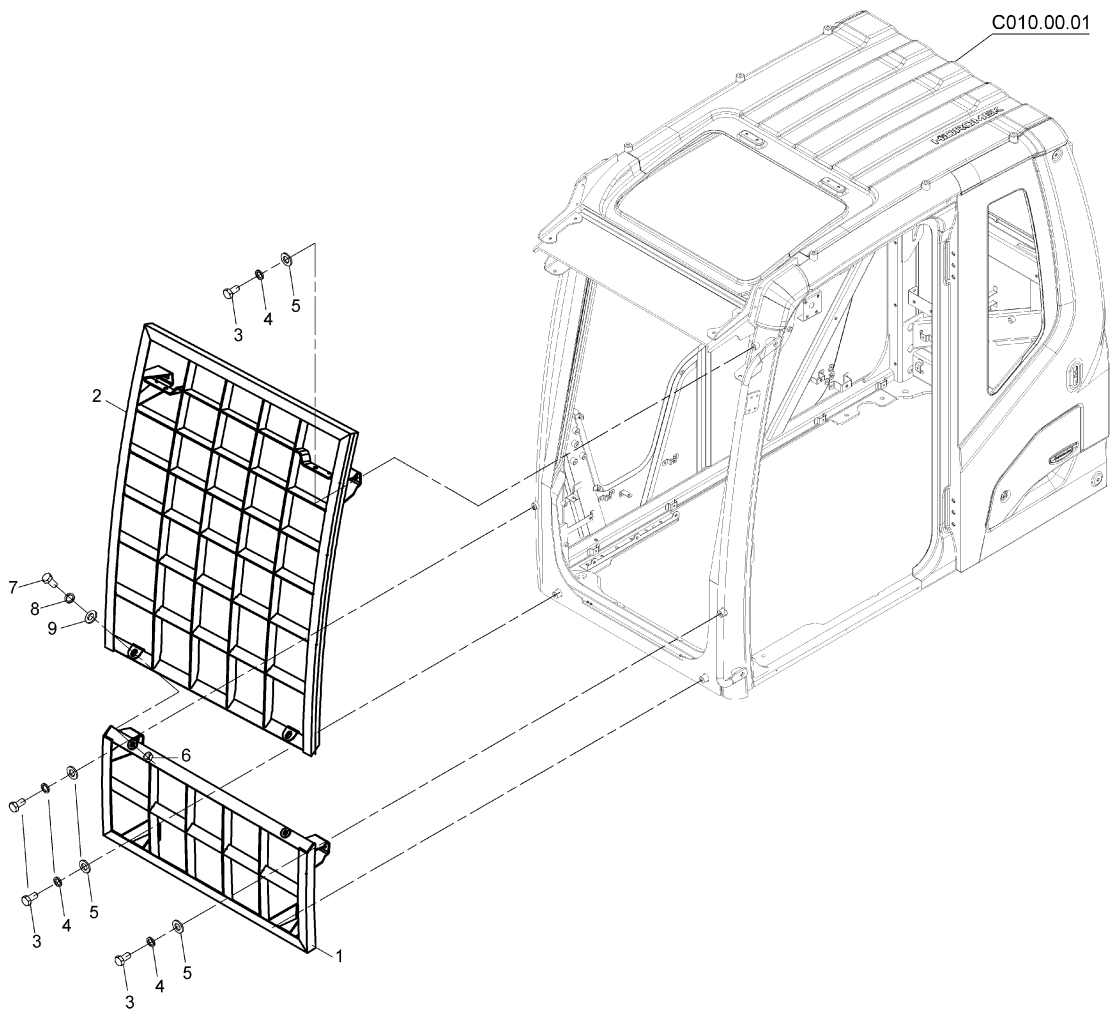
KABİN ÜST KORUMA MONTAJI, FOPS II (OP)  
ROOF GUARD MOUNTING, FOPS II (OP)



# KABİN KORUMA MONTAJI, FOGS (OP) GUARD MOUNTING, FOGS (OP)

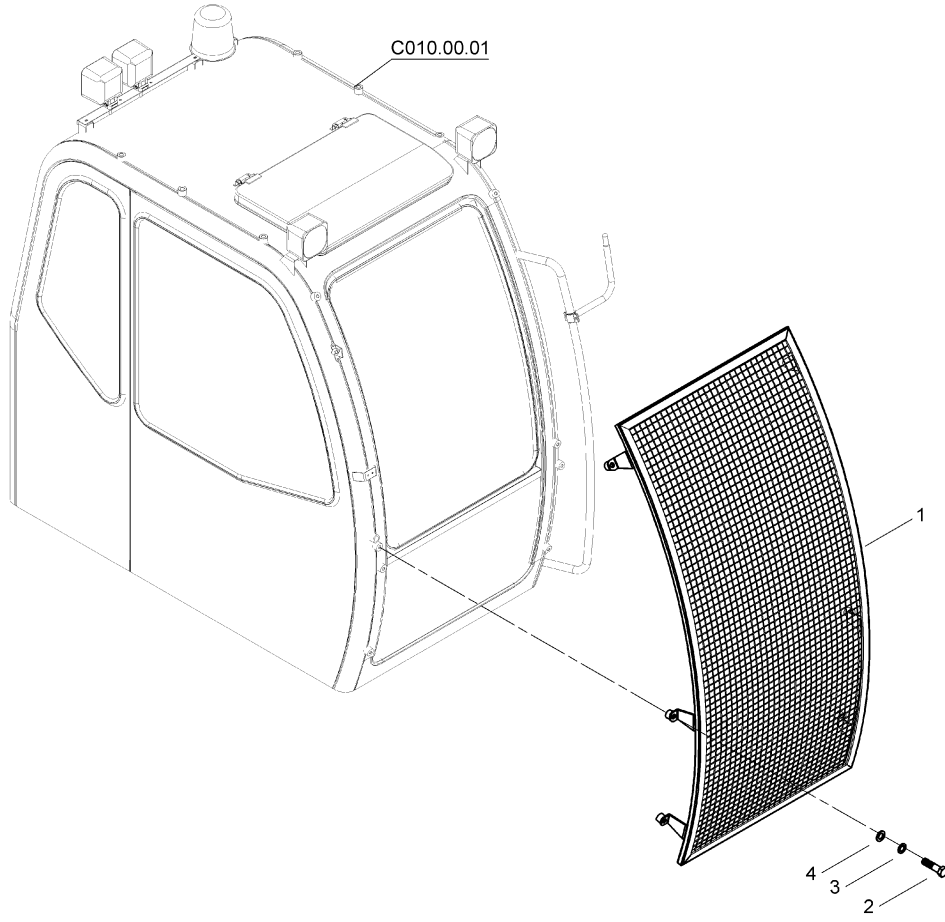


KABİN KORUMA MONTAJI, FOGS (OP)  
GUARD MOUNTING, FOGS (OP)

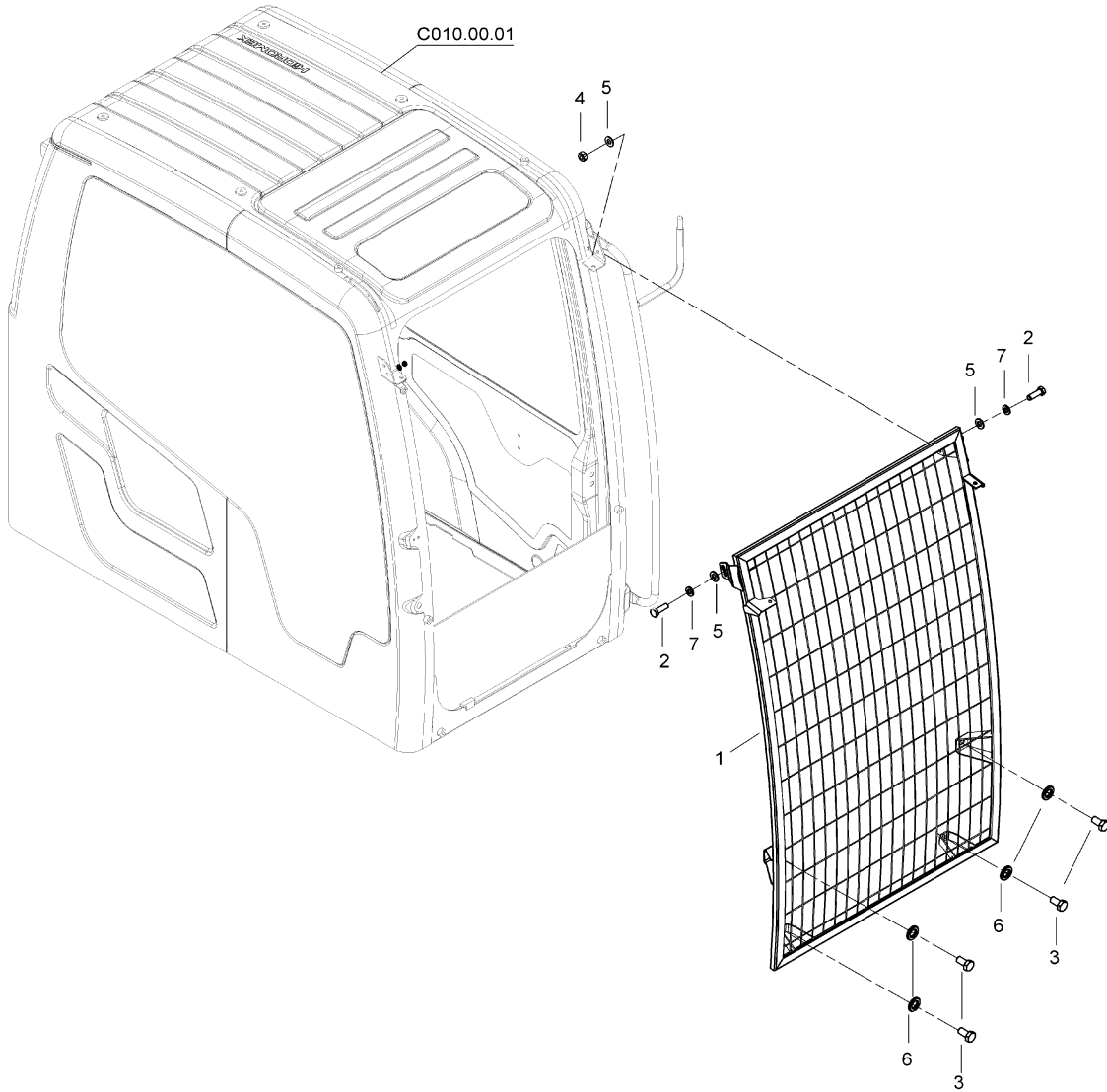




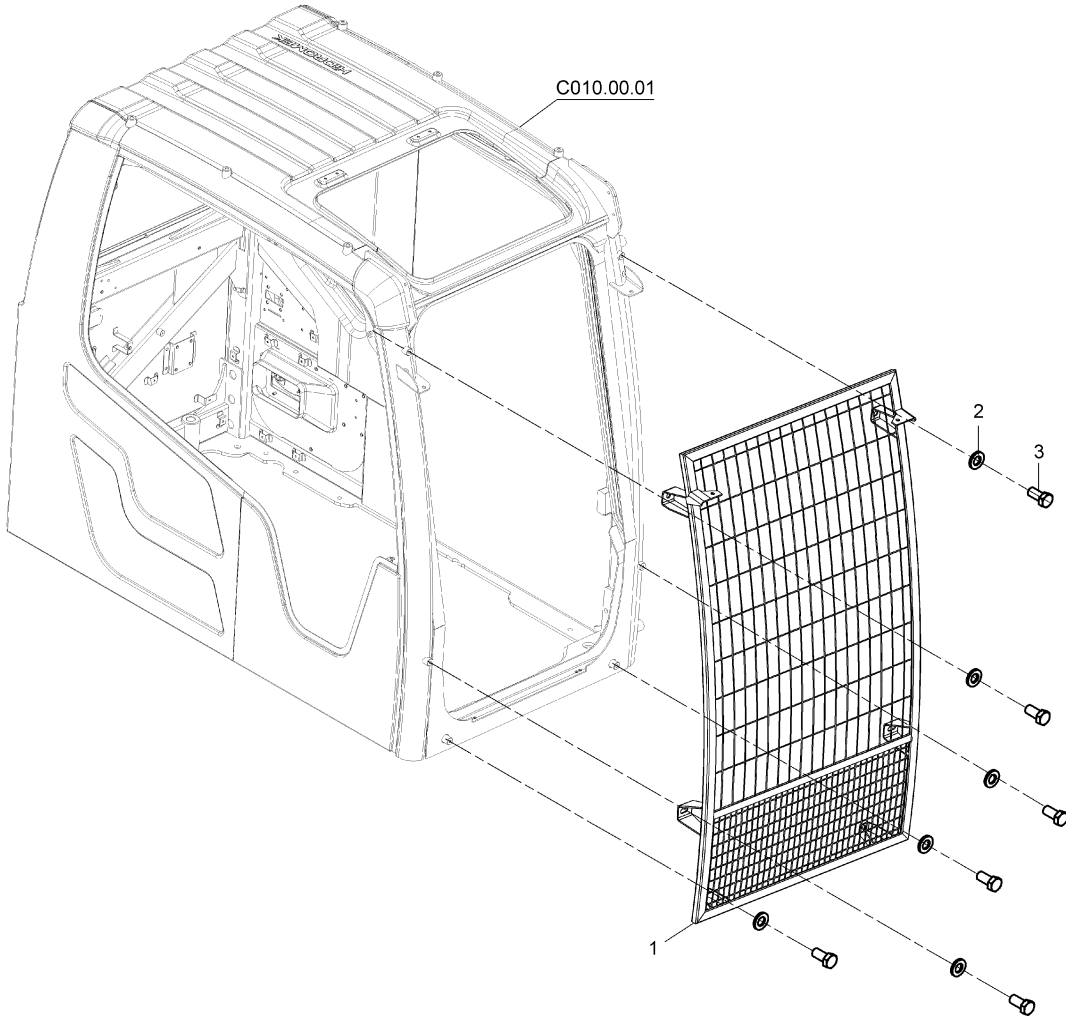
ÖN CAM KORUYUCU MONTAJI ,TAŞ VE MICİR İÇİN (OP)  
FRONT GUARD MOUNTING, FOR STONES & DEBRIS (OP)



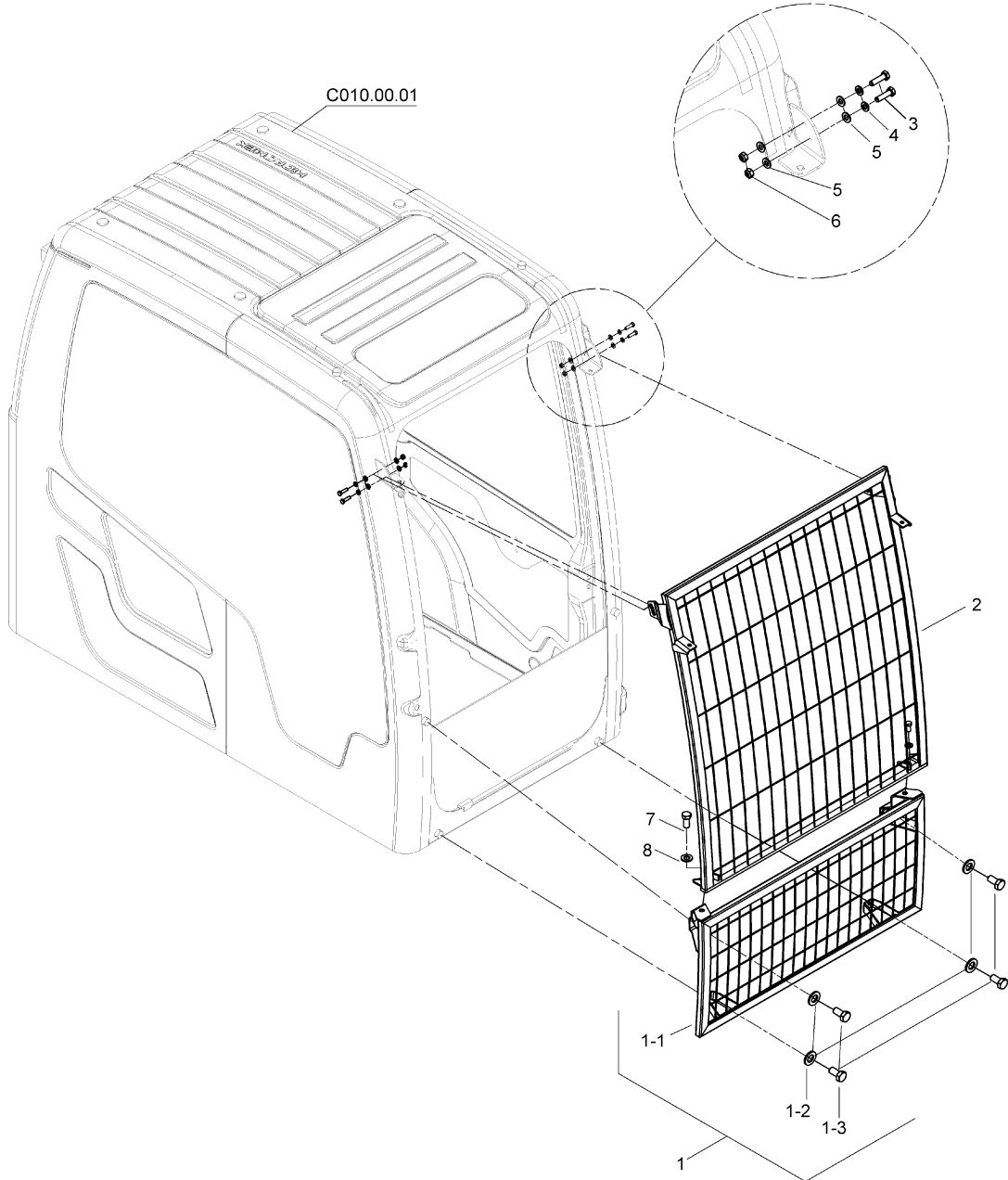
ÖN CAM KORUYUCU MONTAJI ,TAŞ VE MICİR İÇİN (OP)  
FRONT GUARD MOUNTING, FOR STONES & DEBRIS (OP)



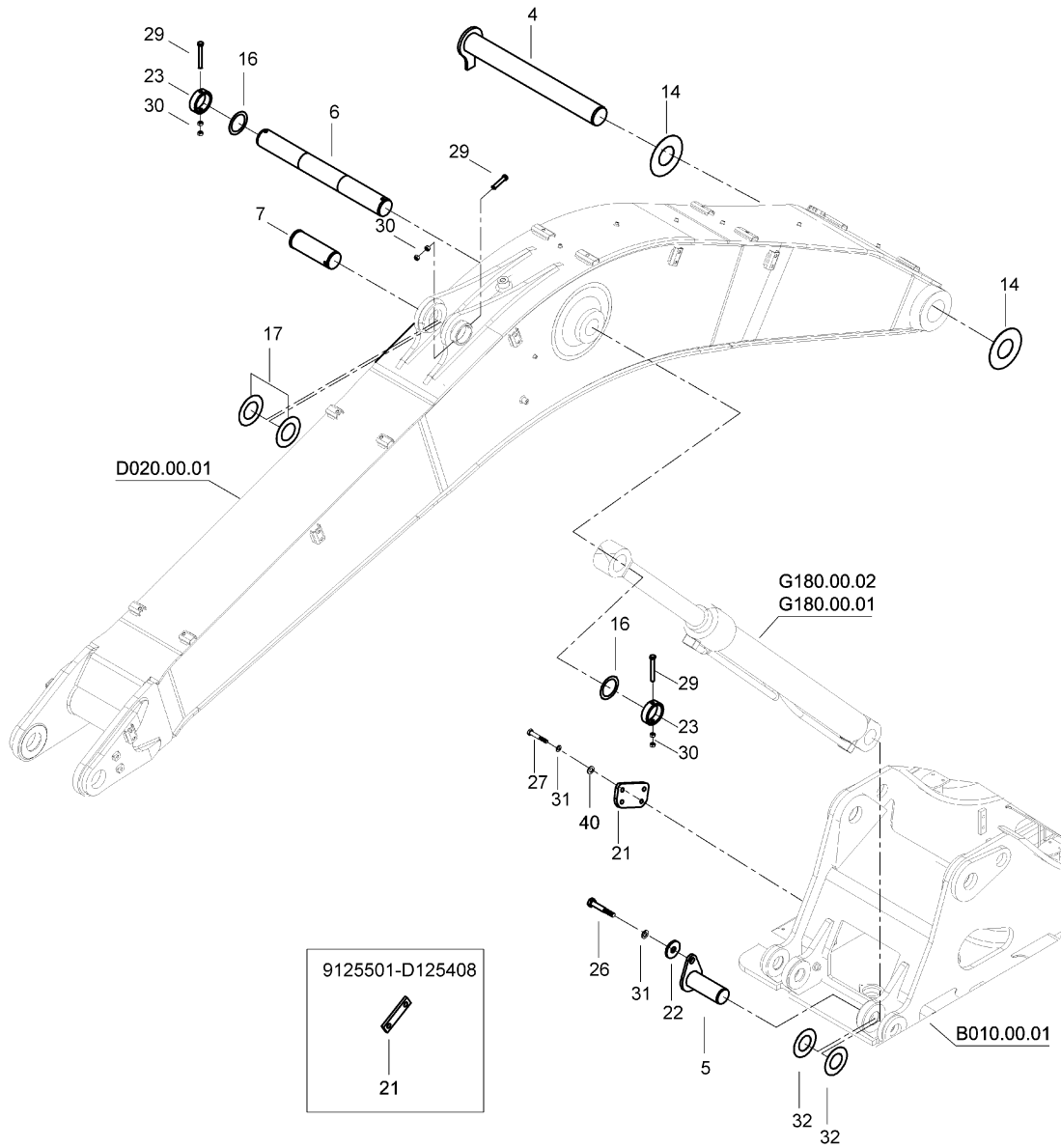
ÖN CAM KORUYUCU MONTAJI ,TAŞ VE MICİR İÇİN (OP)  
FRONT GUARD MOUNTING, FOR STONES & DEBRIS (OP)



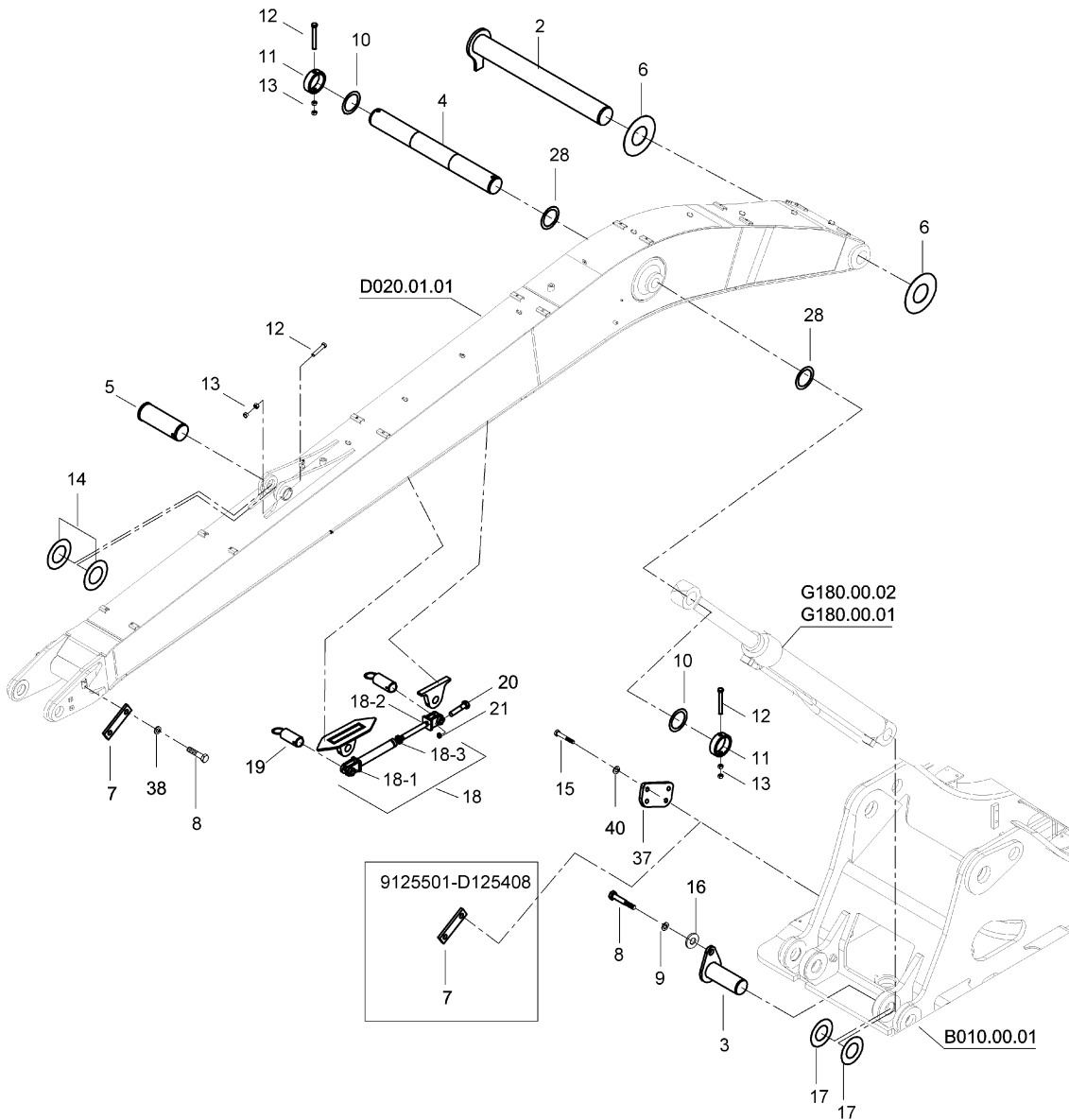
ÖN CAM KORUYUCU MONTAJI, İKİ PARÇALI (OP)  
FRONT GUARD MOUNTING, TWO PIECES (OP)



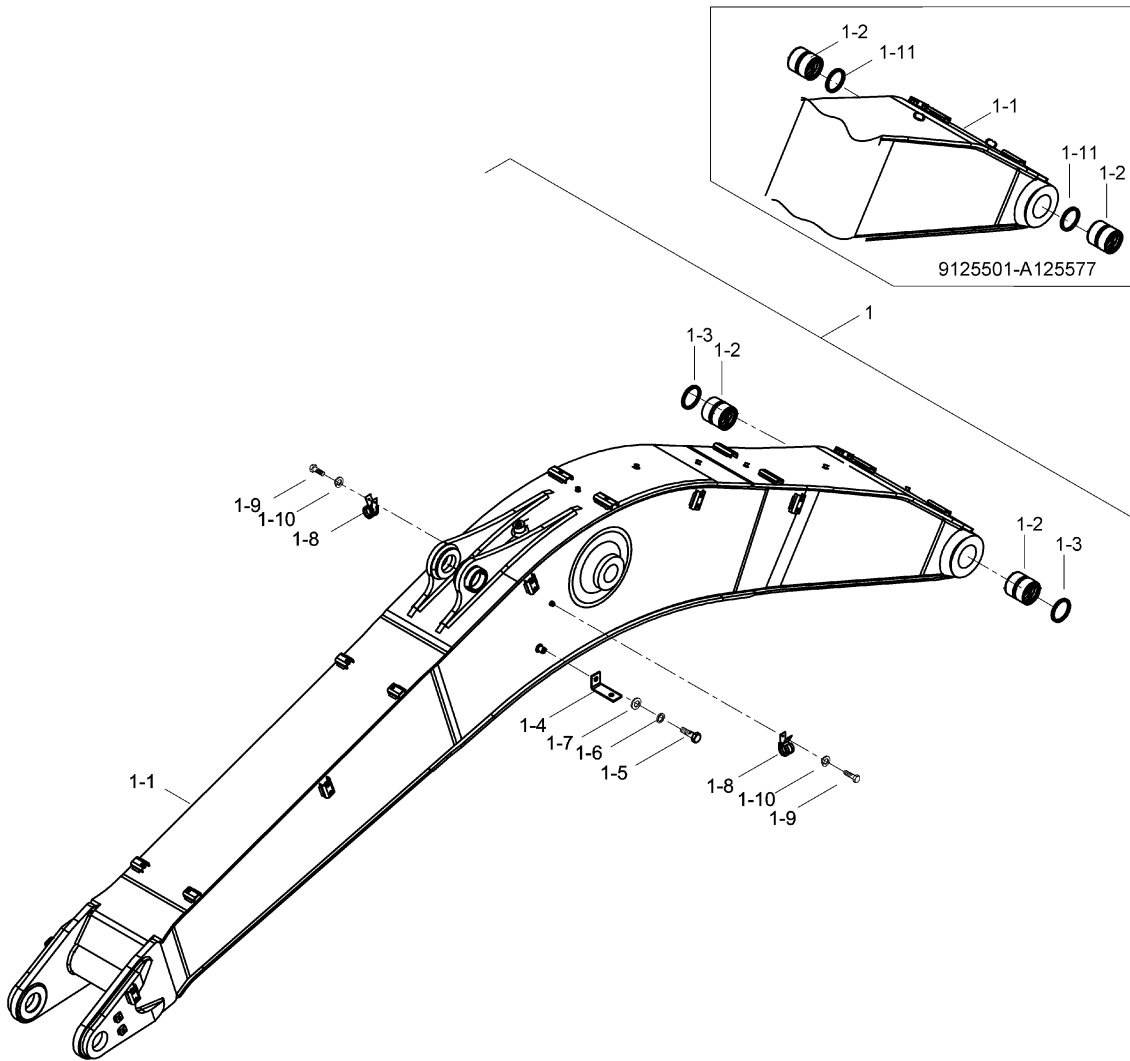
### BOM MONTAJI BOOM MOUNTING

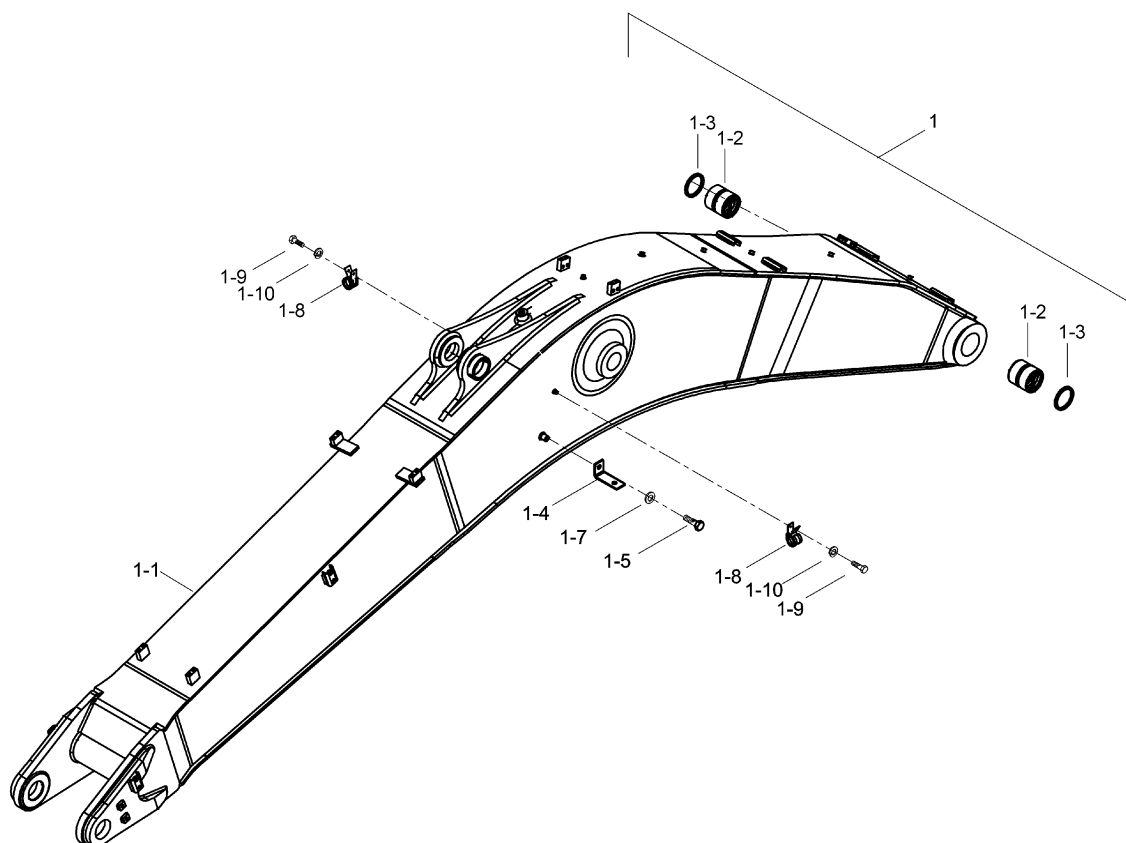


### BOM MONTAJI (LR) BOOM MOUNTING (LR)



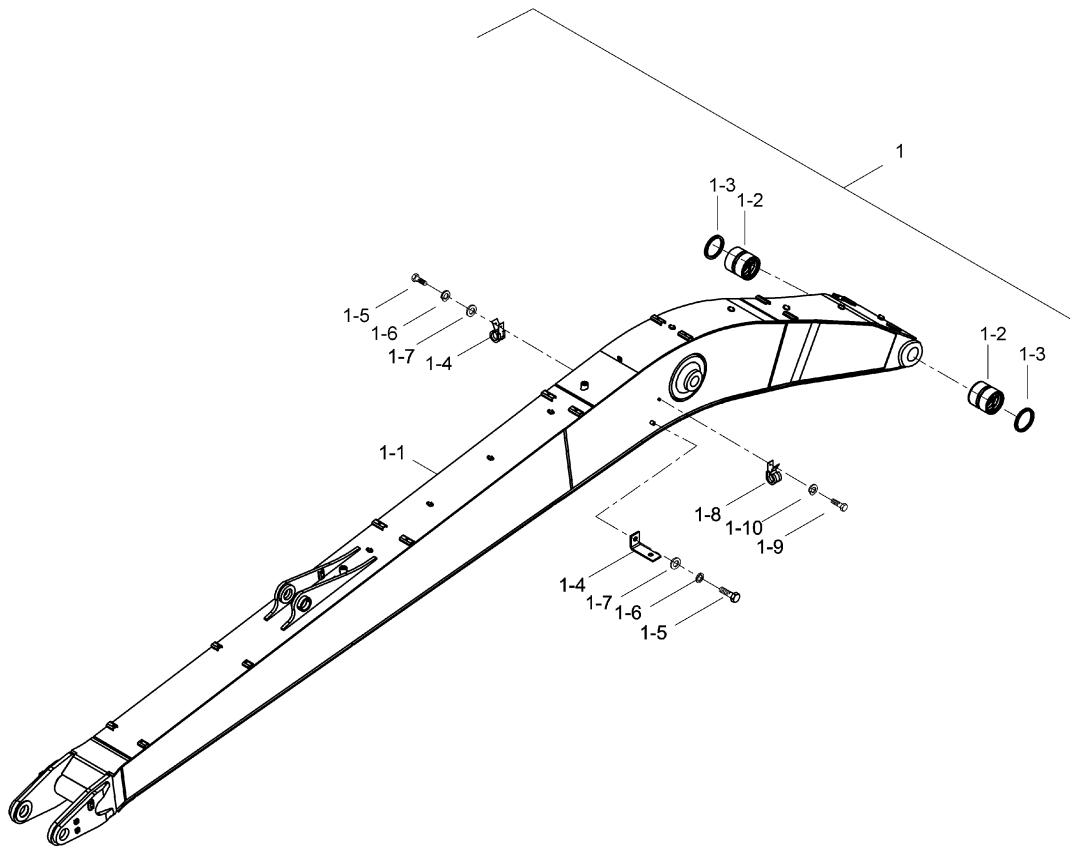
### BOM KOMPLESİ (6.28m) BOOM ASS'Y (6.28m)

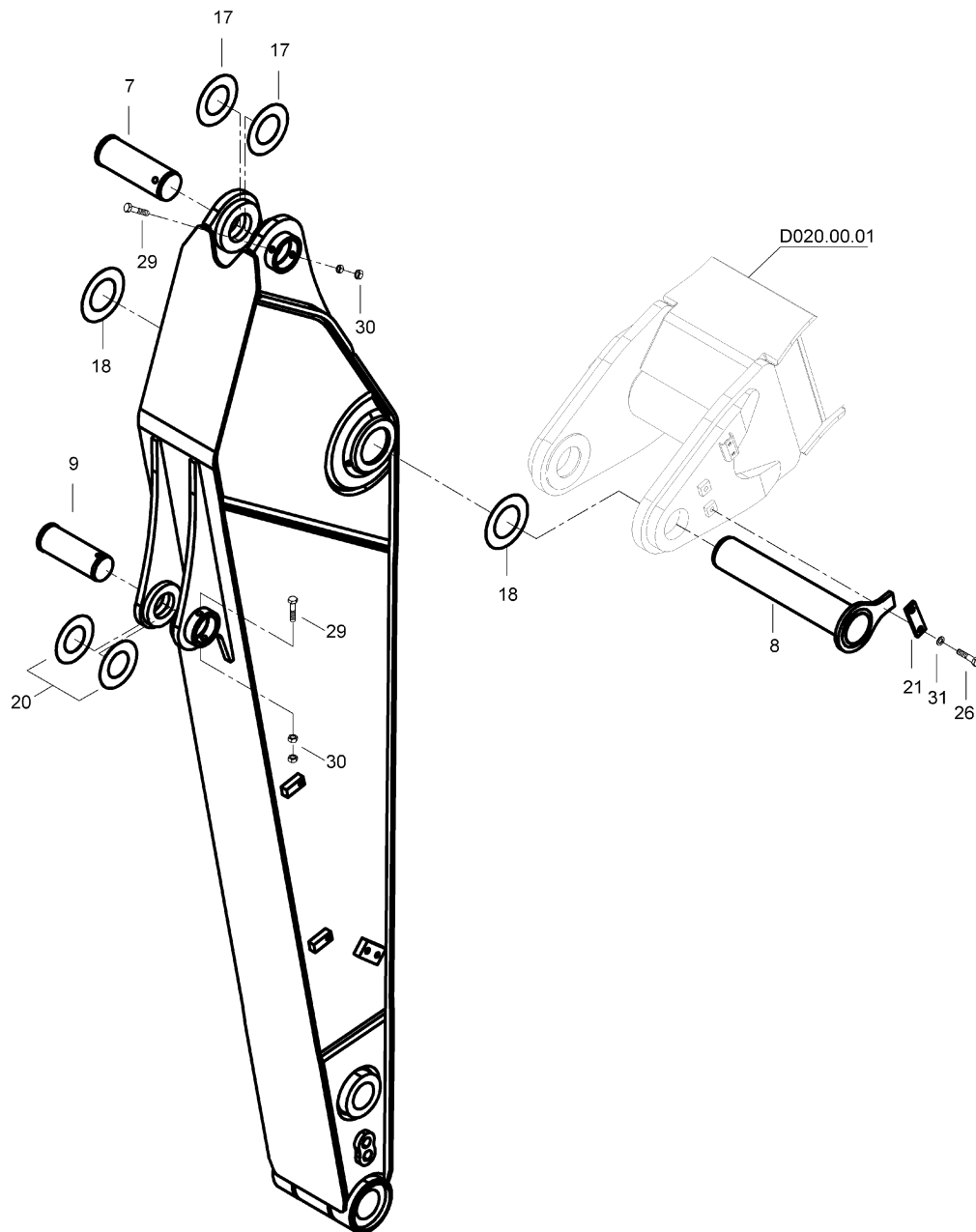


**BOM KOMPLESİ (6.28m)  
BOOM ASS'Y (6.28m)**

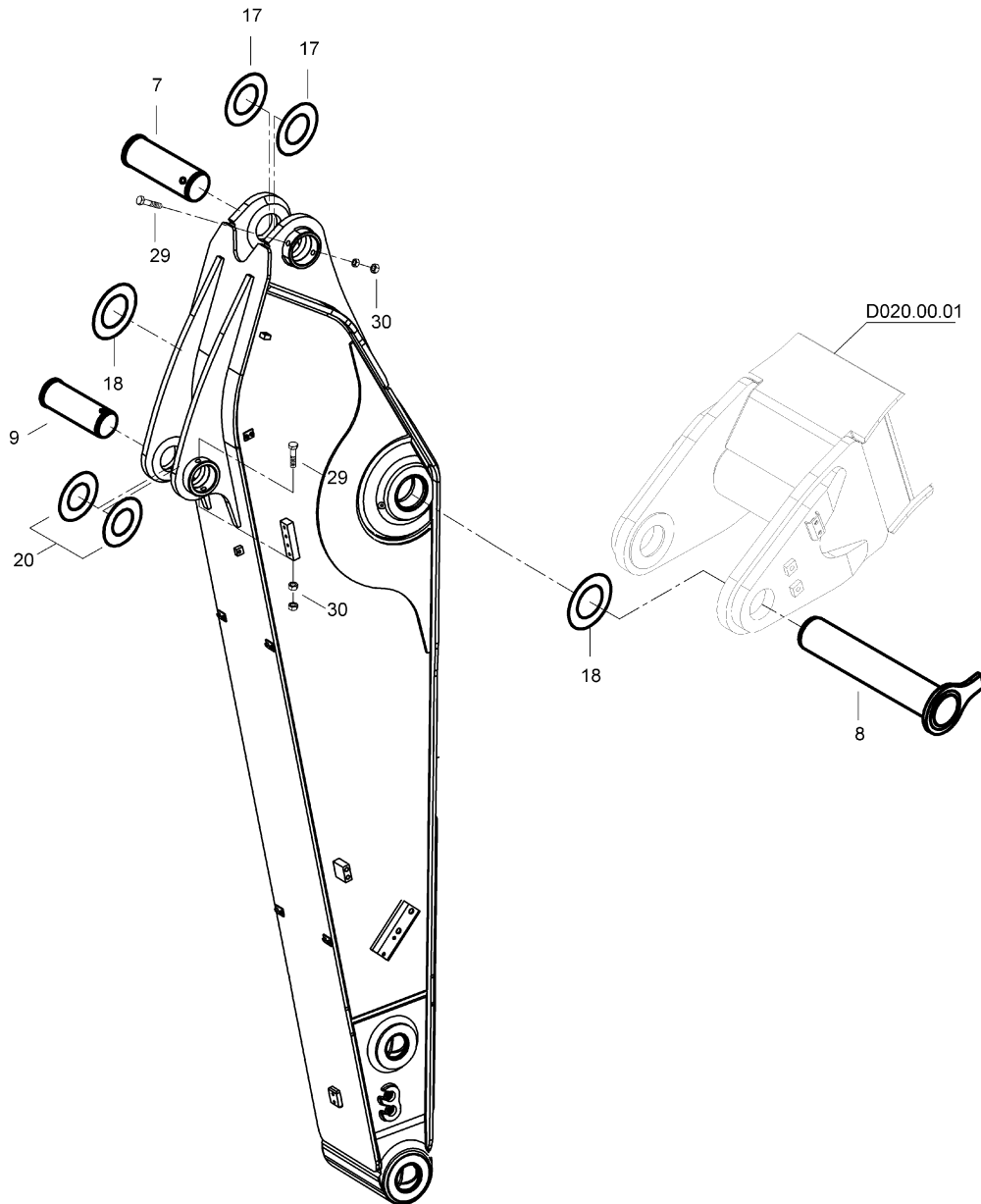


**BOOM KOMPLESİ (10.3m,LR)**  
**BOOM ASS'Y (10.3m, LR)**

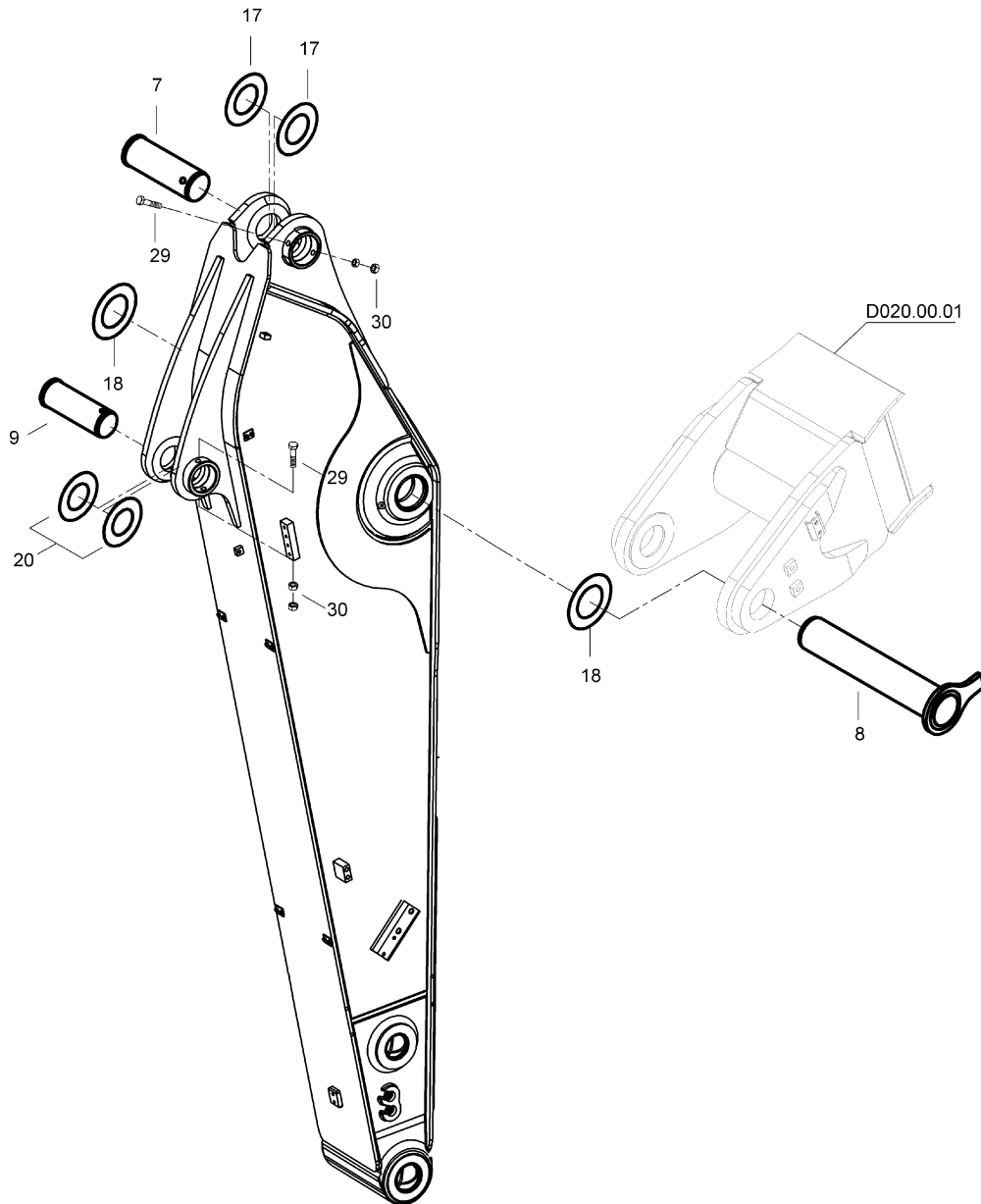


**ARM MONTAJI  
ARM MOUNTING**

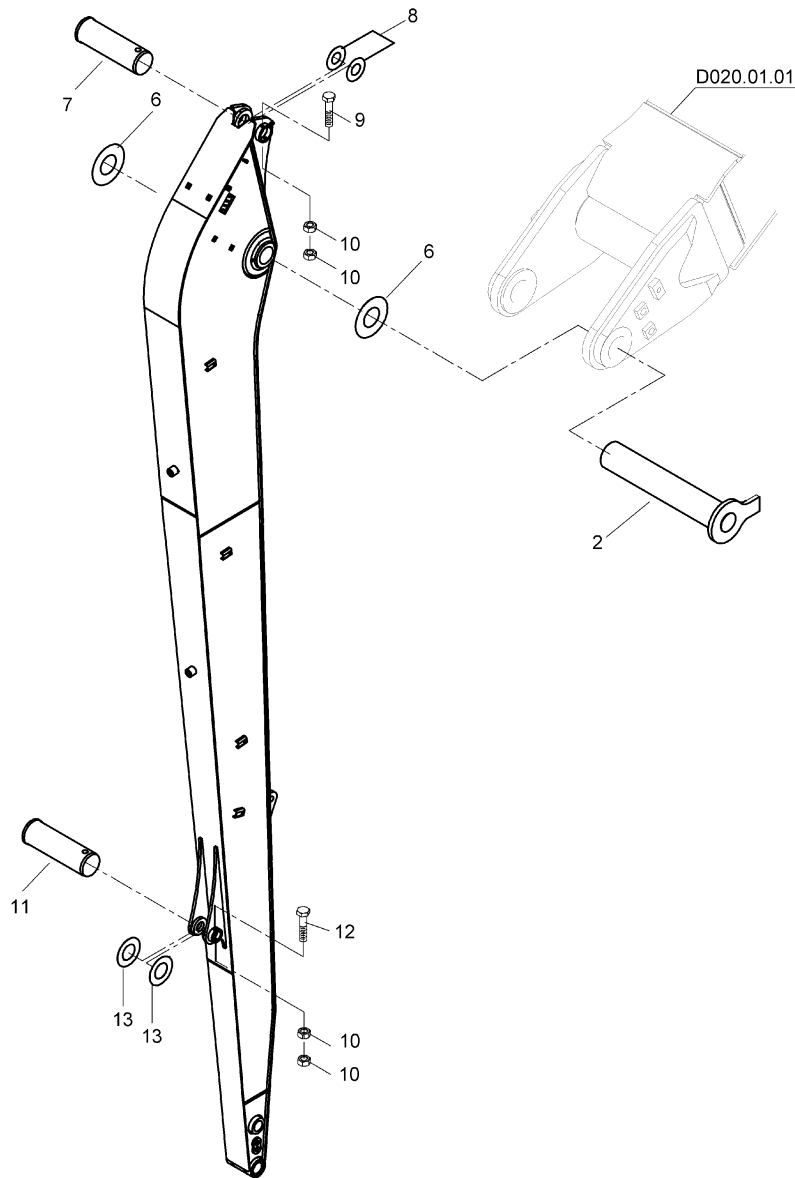
### ARM MONTAJI ARM MOUNTING



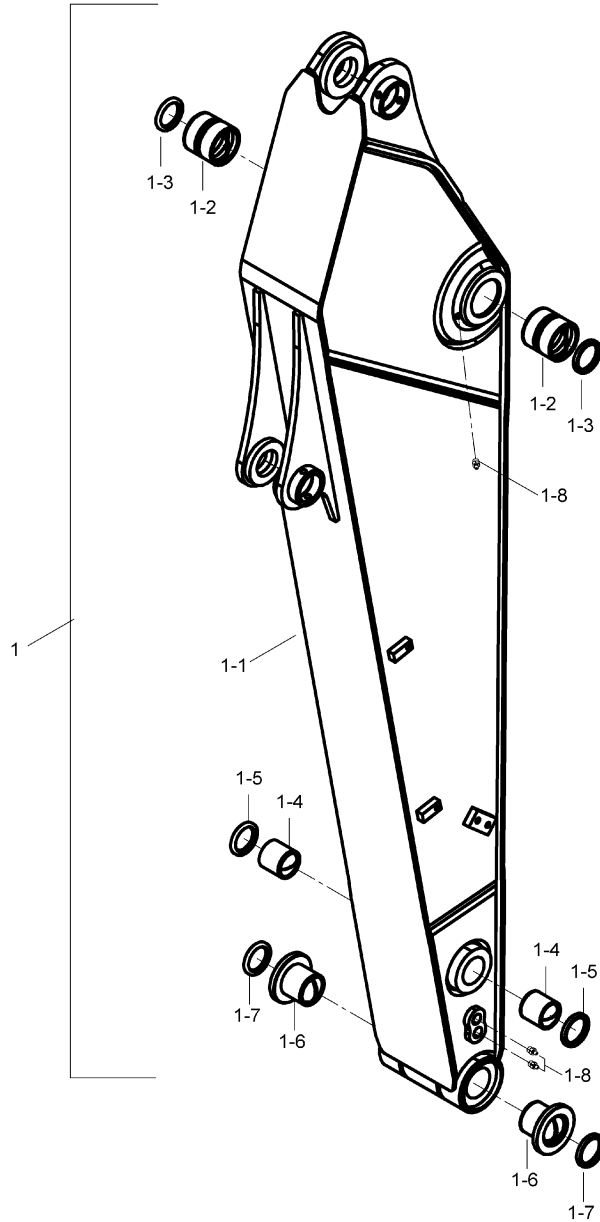
### ARM MONTAJI ARM MOUNTING



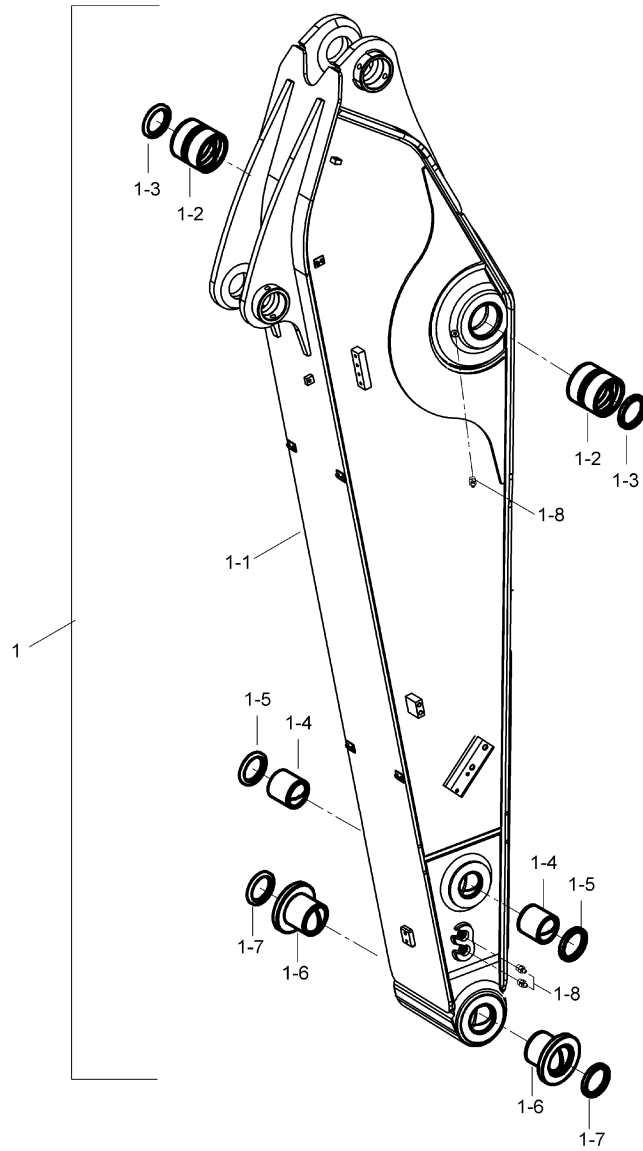
**ARM MONTAJI (LR)**  
**ARM MOUNTING (LR)**



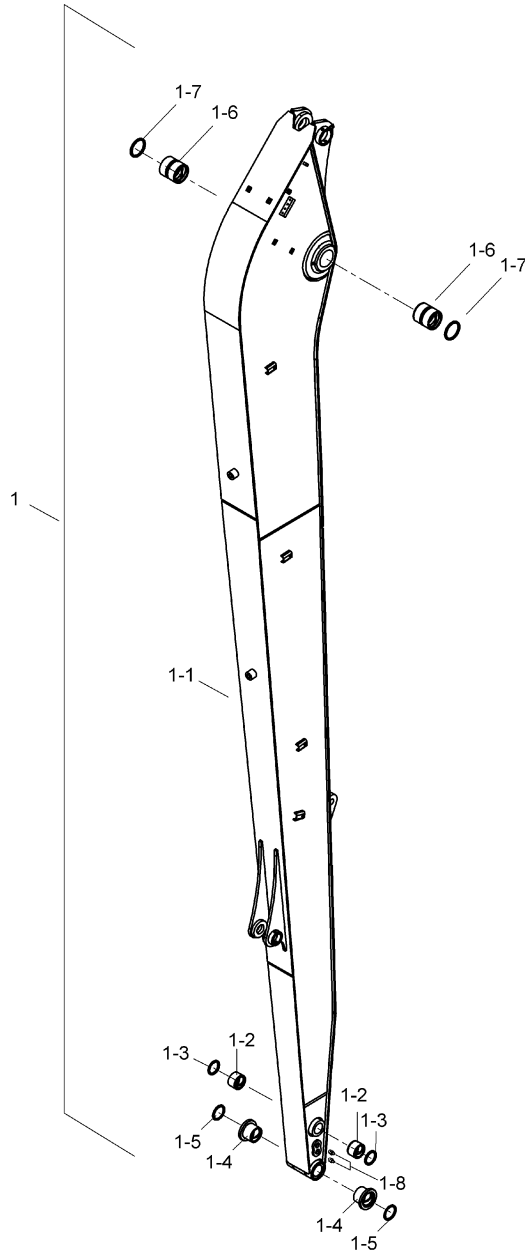
ARM KOMPLESİ (2.5m)  
ARM ASS'Y (2.5m)



ARM KOMPLESİ (2.5m)  
ARM ASS'Y (2.5m)

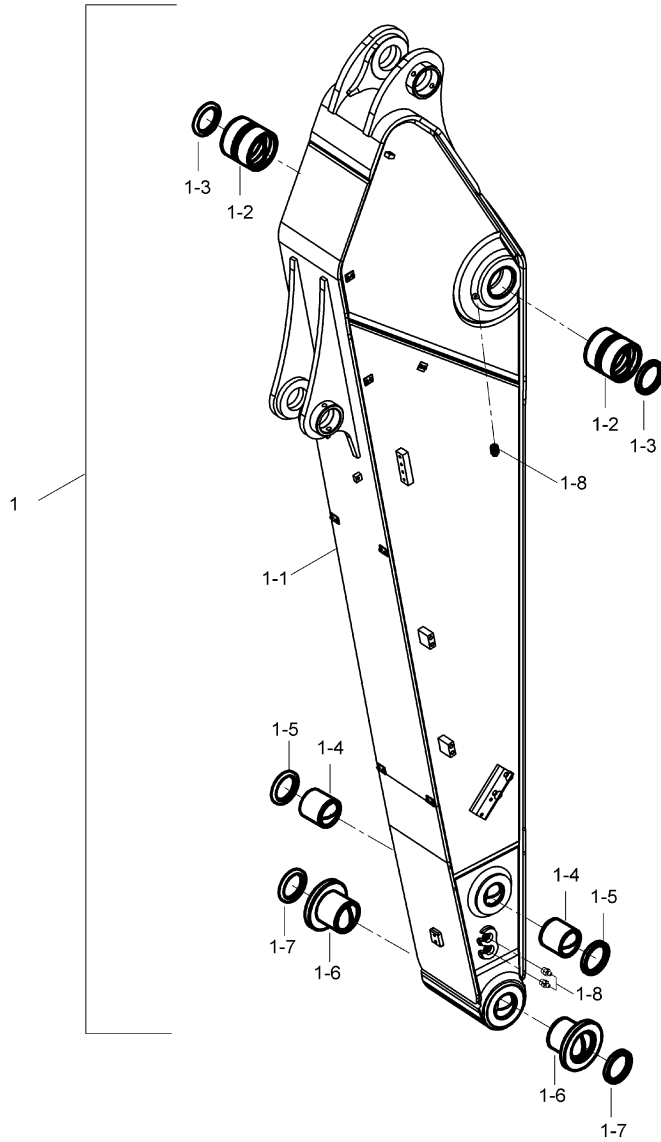


ARM KOMPLESİ (7.8m, LR)  
ARM ASS'Y (7.8m, LR)

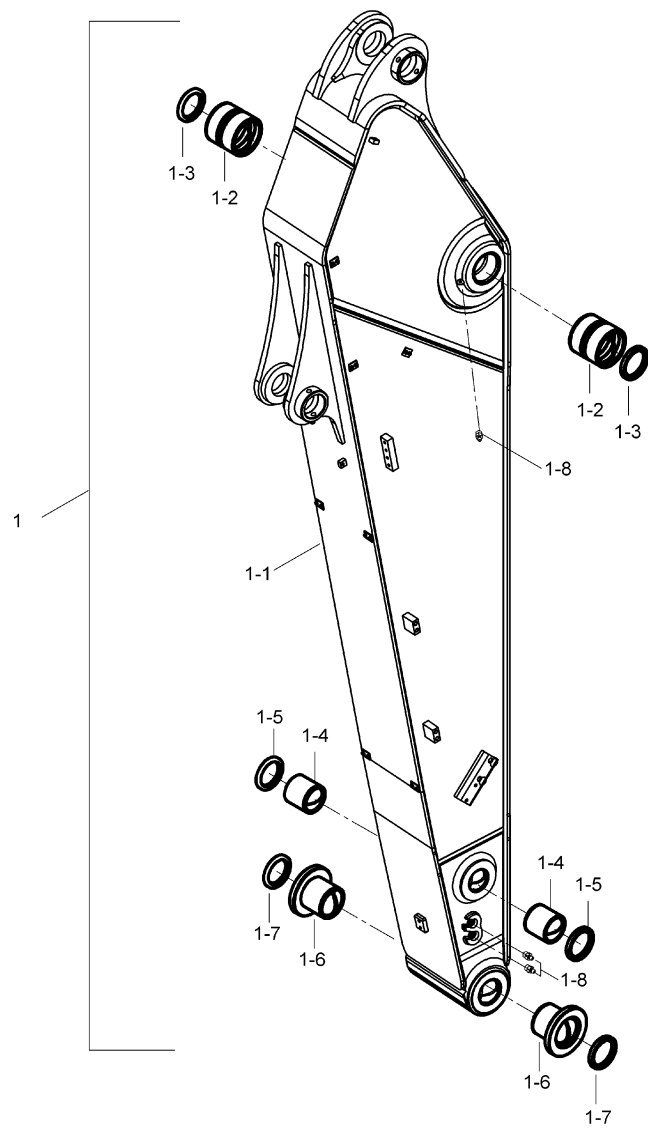




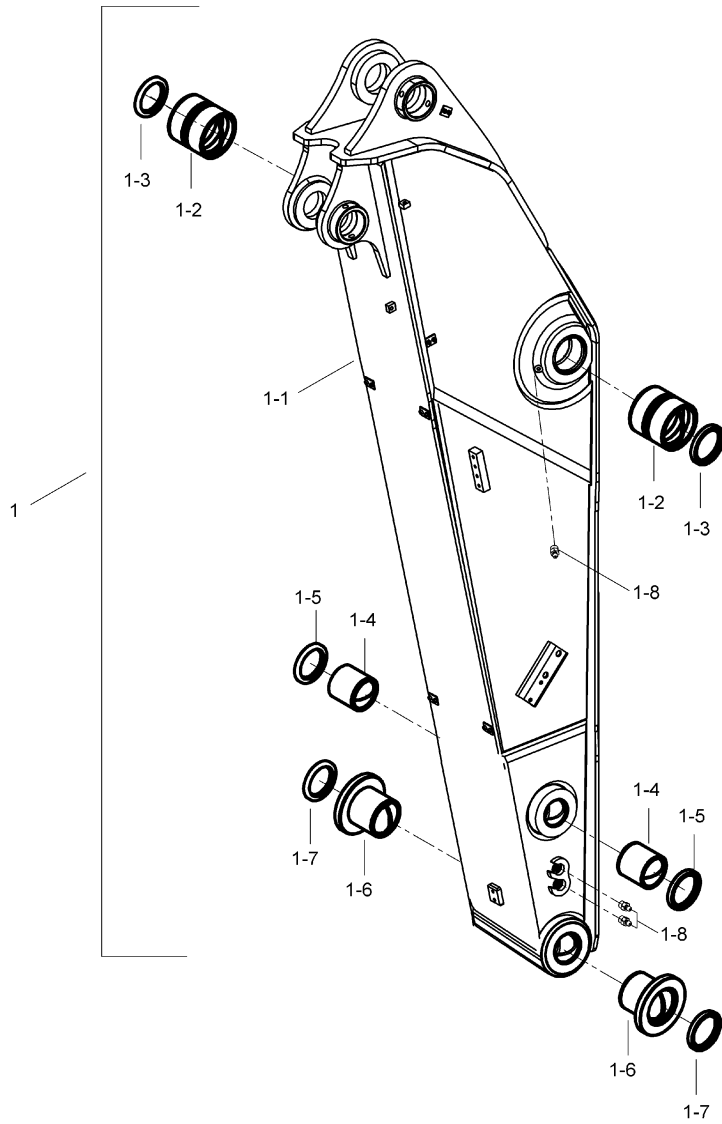
ARM KOMPLESİ (3.07m)  
ARM ASS'Y (3.07m)



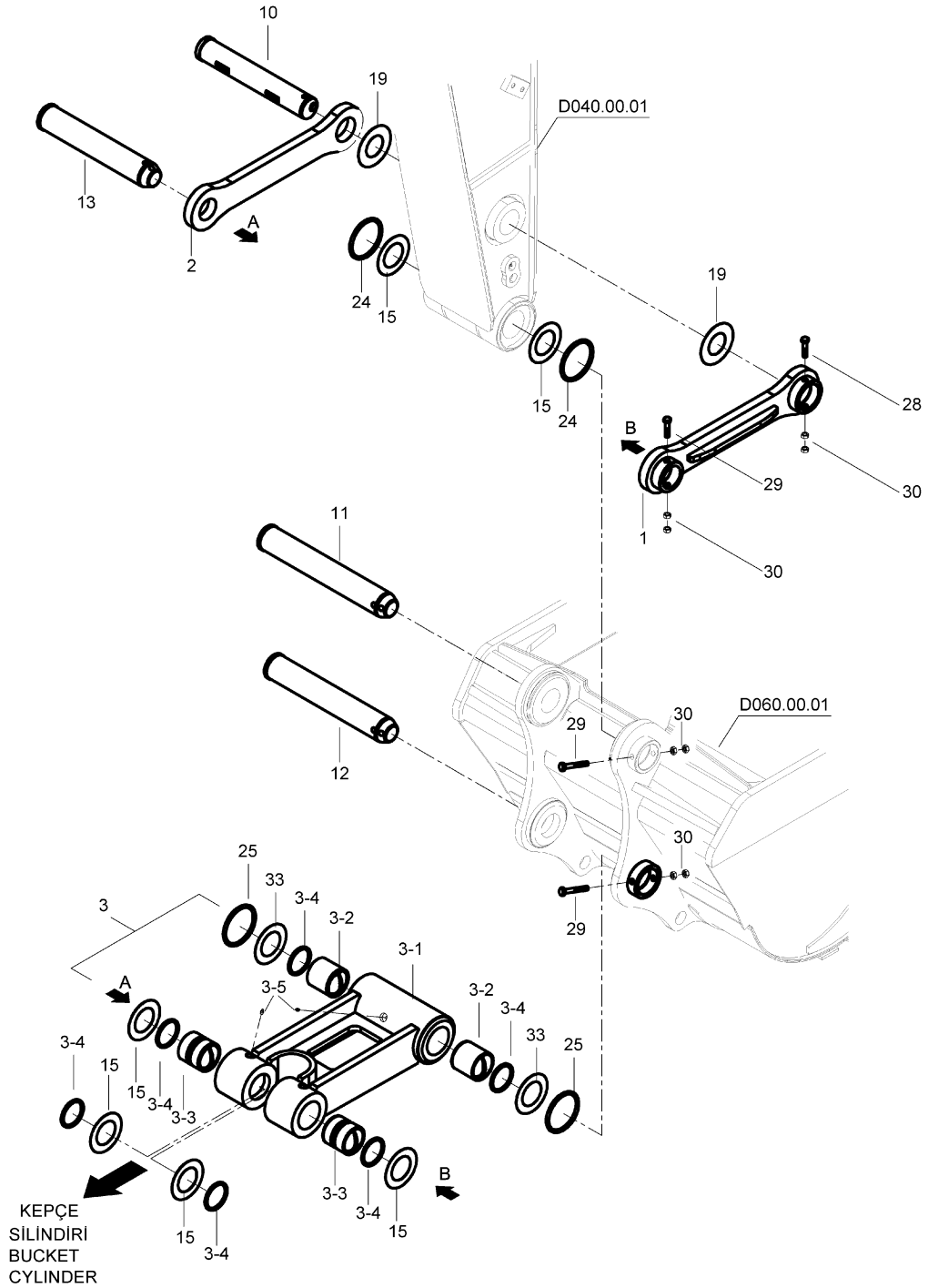
ARM KOMPLESİ (3.07m)  
ARM ASS'Y (3.07m)



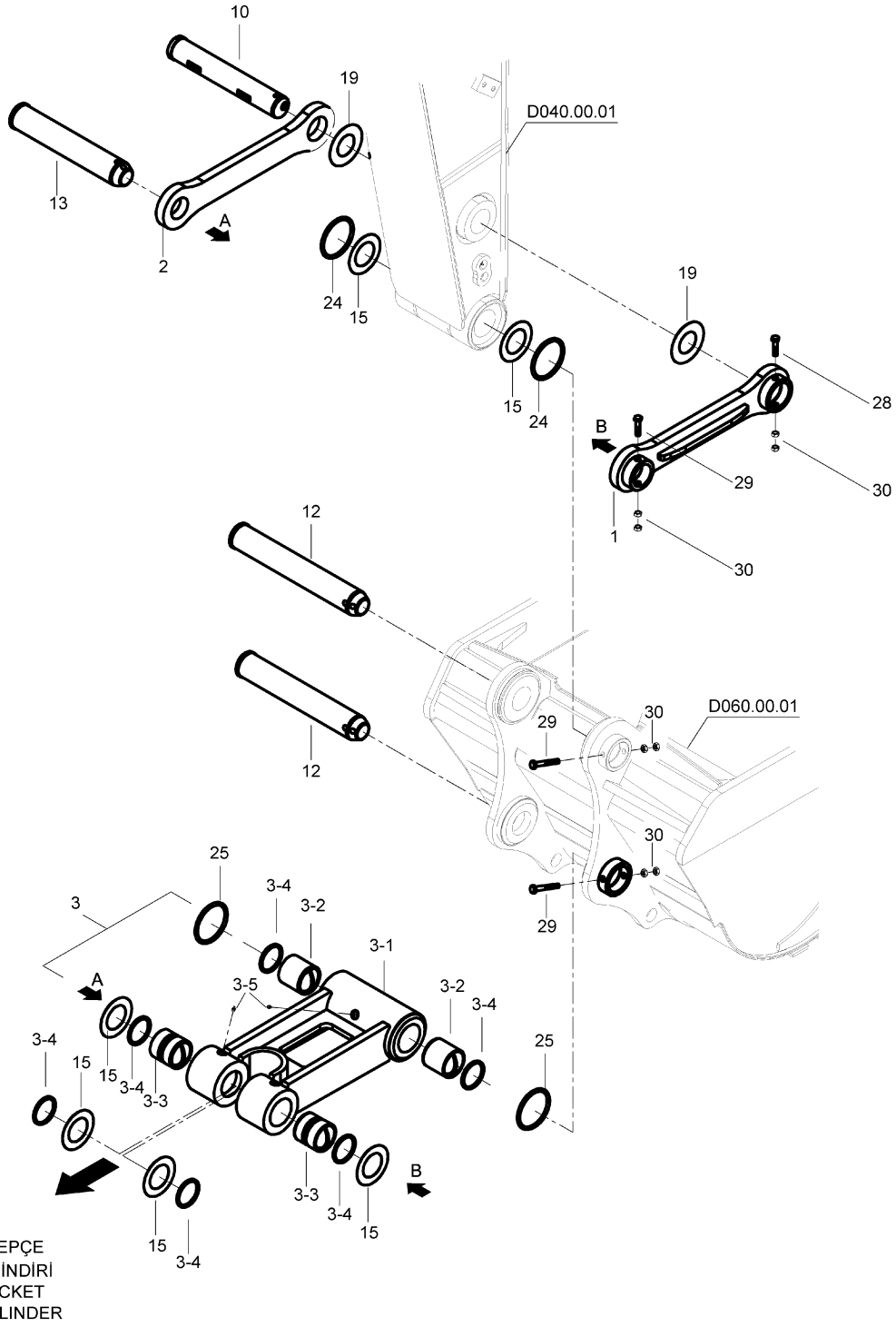
ARM KOMPLESİ (2.1m)  
ARM ASS'Y (2.1m)



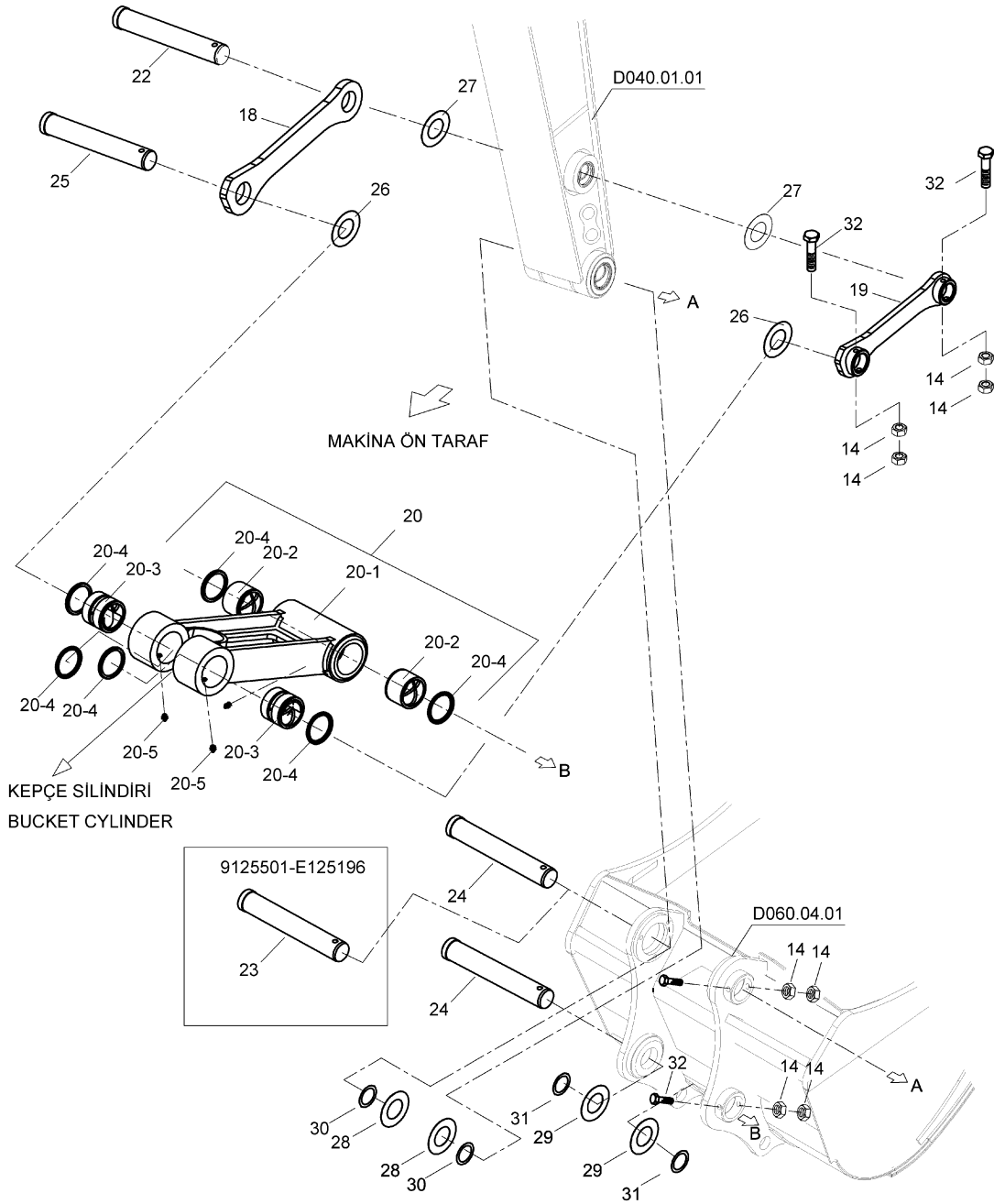
### KEPÇE BAĞLANTISI BUCKET LINKAGE



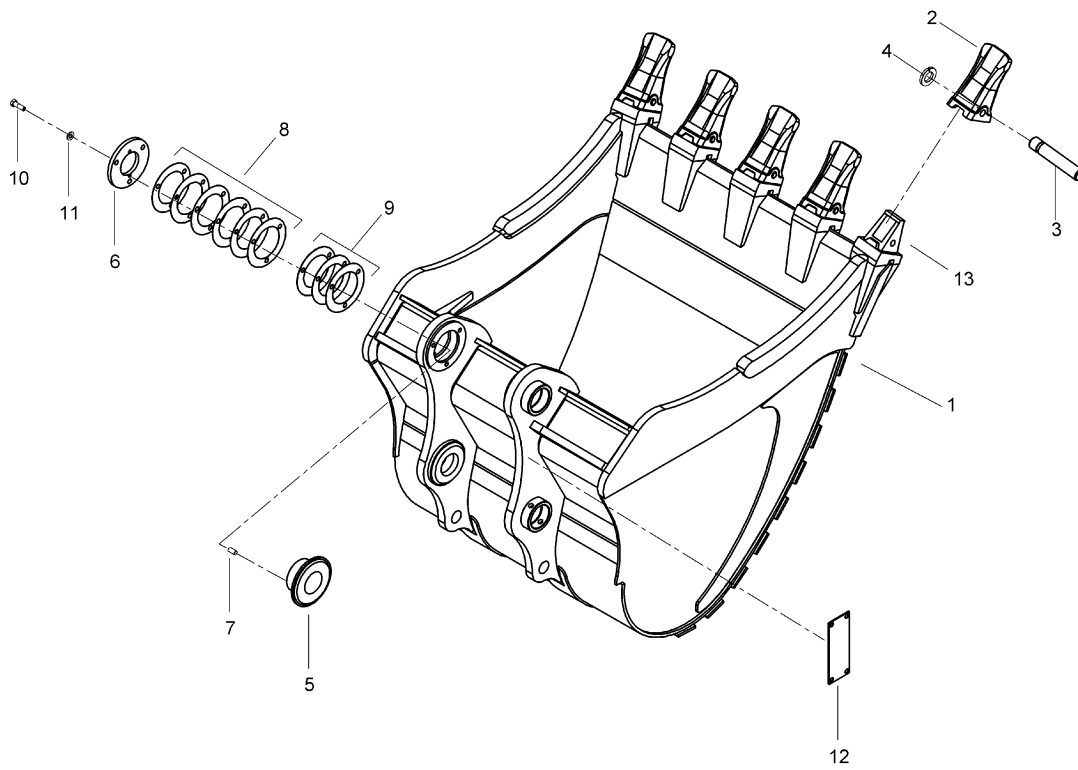
**KEPÇE BAĞLANTISI  
BUCKET LINKAGE**



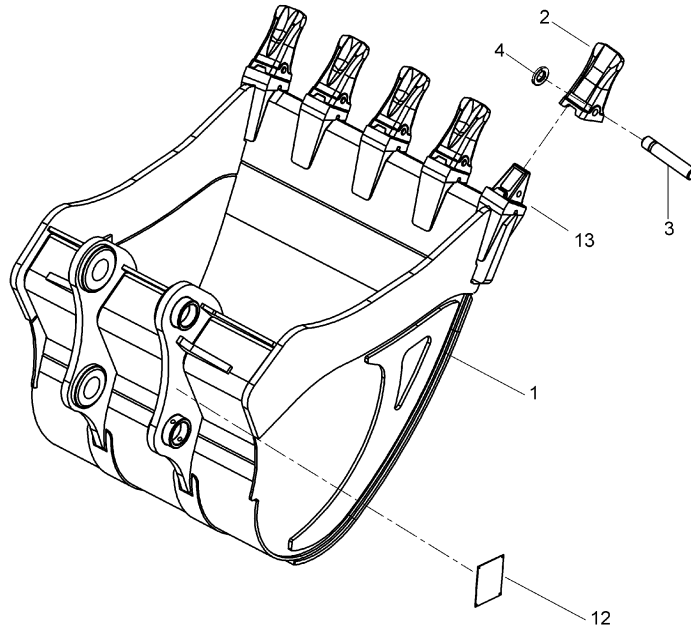
## KEPÇE BAĞLANTISI (LR) BUCKET LINKAGE (LR)



**KEPÇE, DUAL RADÜS (1.5m<sup>3</sup>)**  
**BUCKET, DUAL RADIUS (1.5m<sup>3</sup>)**

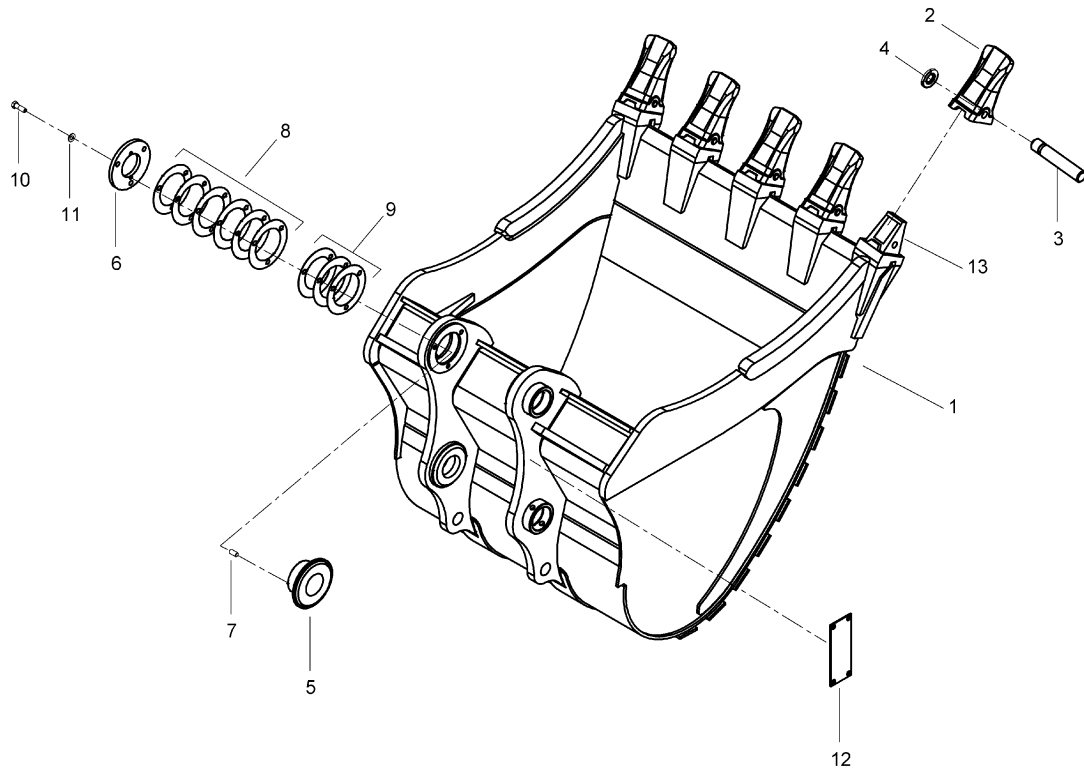


**KEPÇE, DUAL RADÜS (1.5m<sup>3</sup>)**  
**BUCKET, DUAL RADIUS (1.5m<sup>3</sup>)**

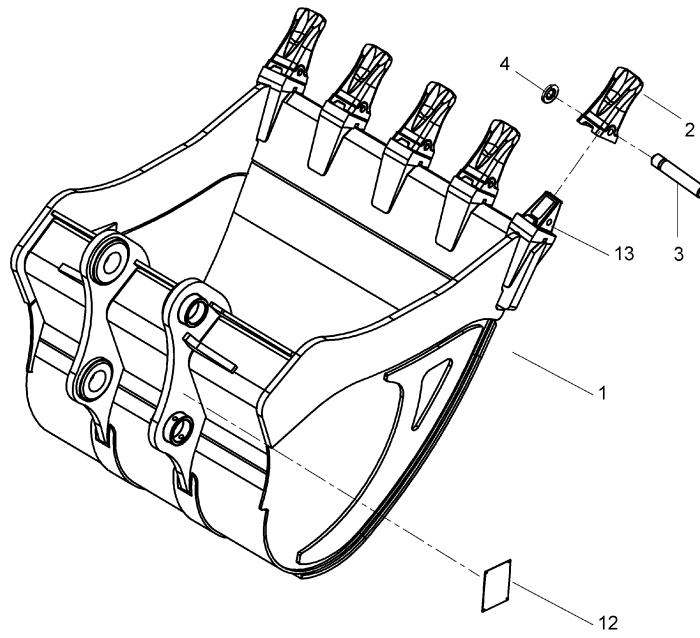




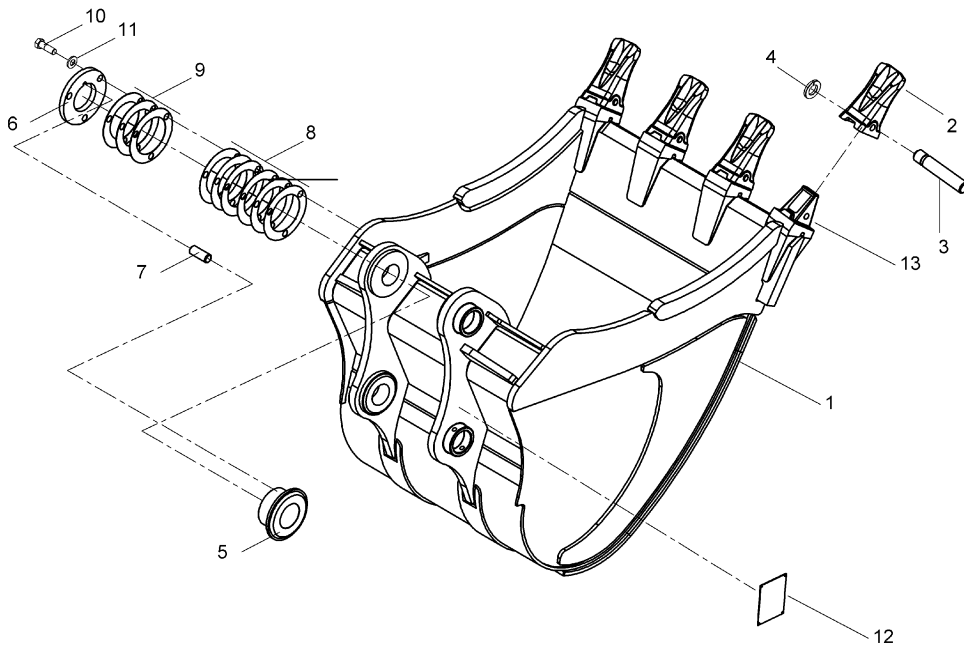
**KEPÇE, DUAL RADÜS (1.7m<sup>3</sup>)**  
**BUCKET, DUAL RADIUS (1.7m<sup>3</sup>)**



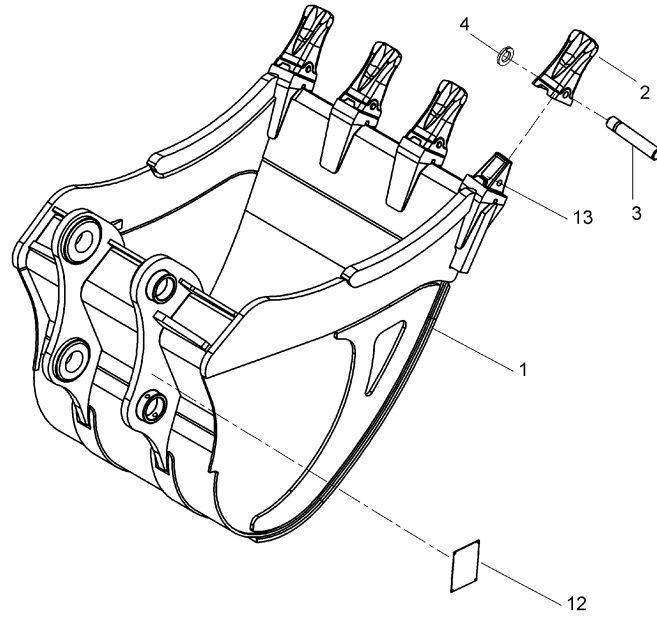
KEPÇE, DUAL RADÜS (1.7m<sup>3</sup>)  
BUCKET, DUAL RADIUS (1.7m<sup>3</sup>)



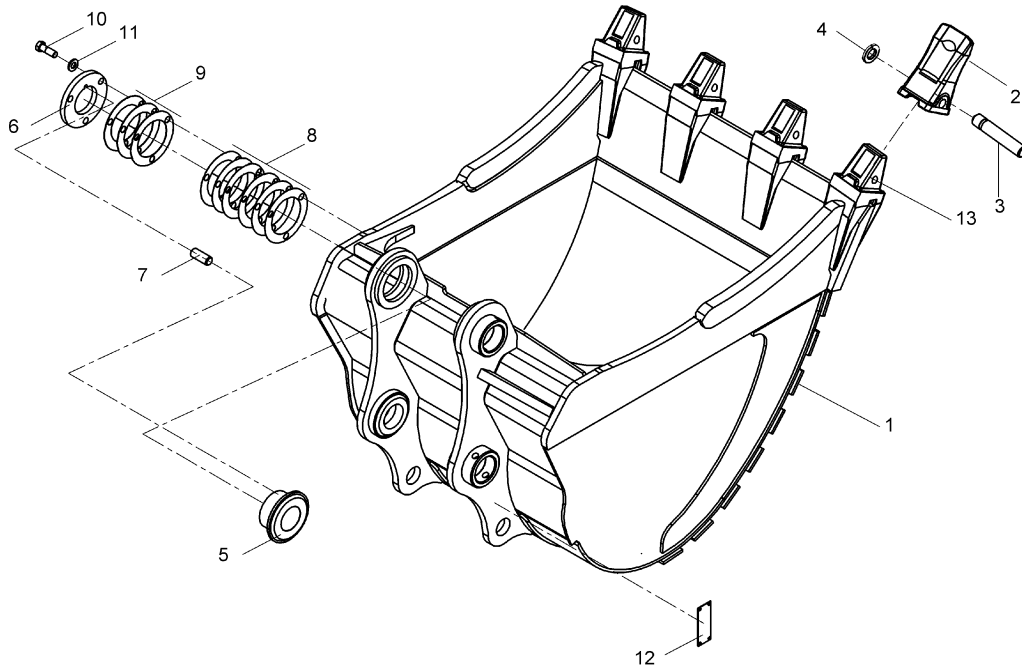
**KEPÇE, DUAL RADÜS (1.3m<sup>3</sup>)**  
**BUCKET, DUAL RADIUS (1.3m<sup>3</sup>)**



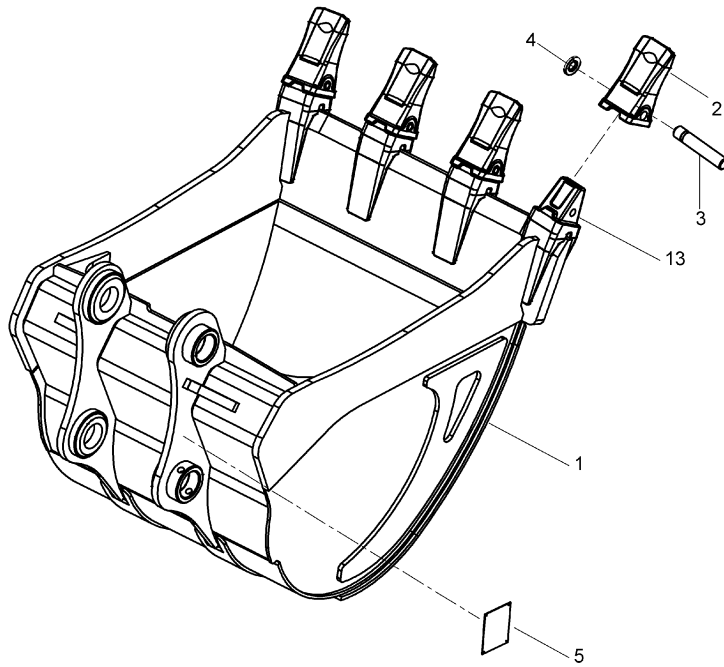
KEPÇE, DUAL RADÜS (1.3m<sup>3</sup>)  
BUCKET, DUAL RADIUS (1.3m<sup>3</sup>)



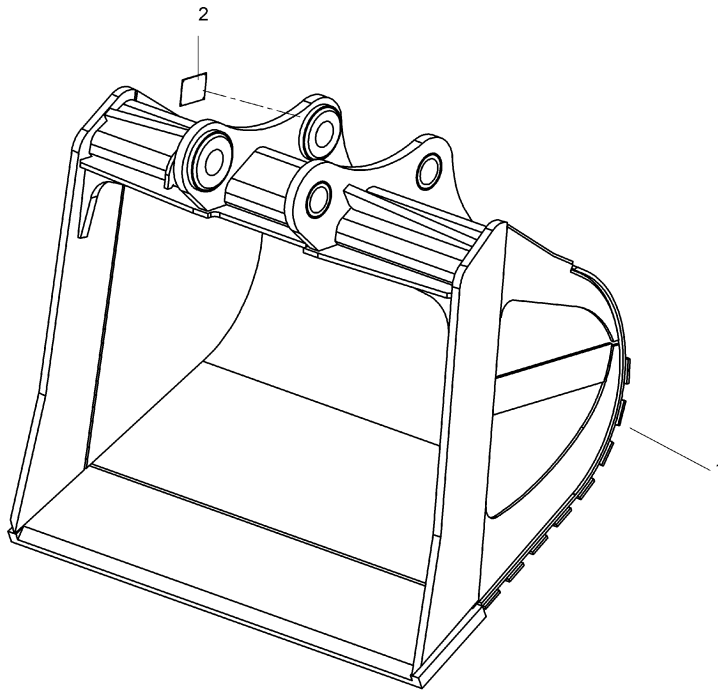
KEPÇE, DUAL RADÜS (0.6m<sup>3</sup>, LR)  
BUCKET, DUAL RADIUS (0.6m<sup>3</sup>, LR)



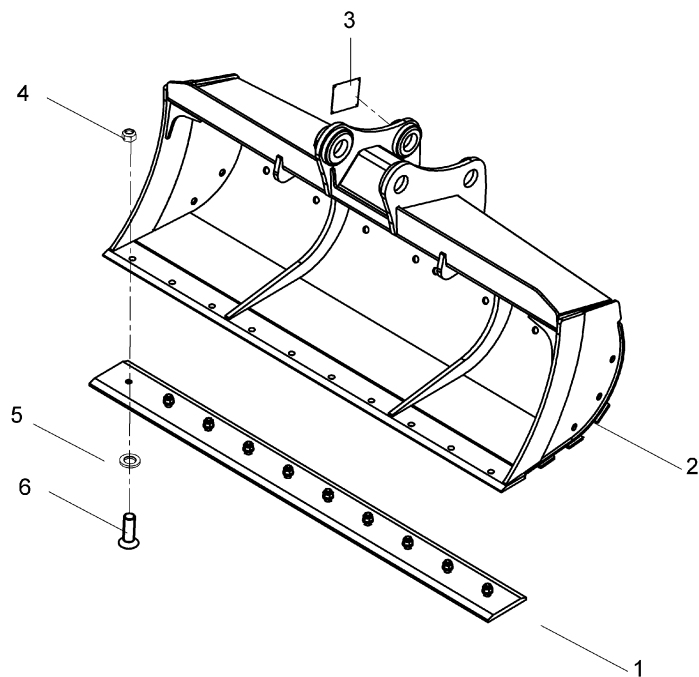
KEPÇE, DUAL RADÜS (0.6m<sup>3</sup>, LR)  
BUCKET, DUAL RADIUS (0.6m<sup>3</sup>, LR)



**KEPÇE, TEMİZLEME (1.73m<sup>3</sup>)**  
**BUCKET, DITCH CLEANING (1.73m<sup>3</sup>)**

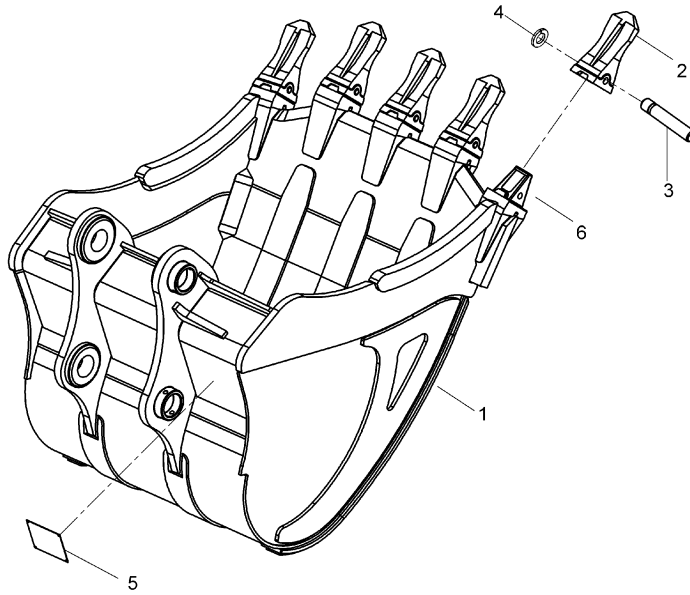


KEPÇE, TEMİZLEME (0.6m<sup>3</sup>, LR)  
BUCKET, DITCH CLEANING (0.6m<sup>3</sup>, LR)

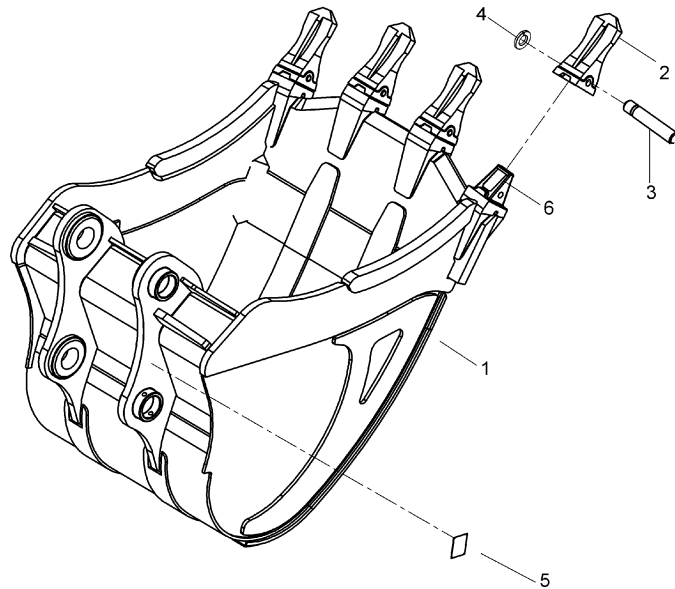




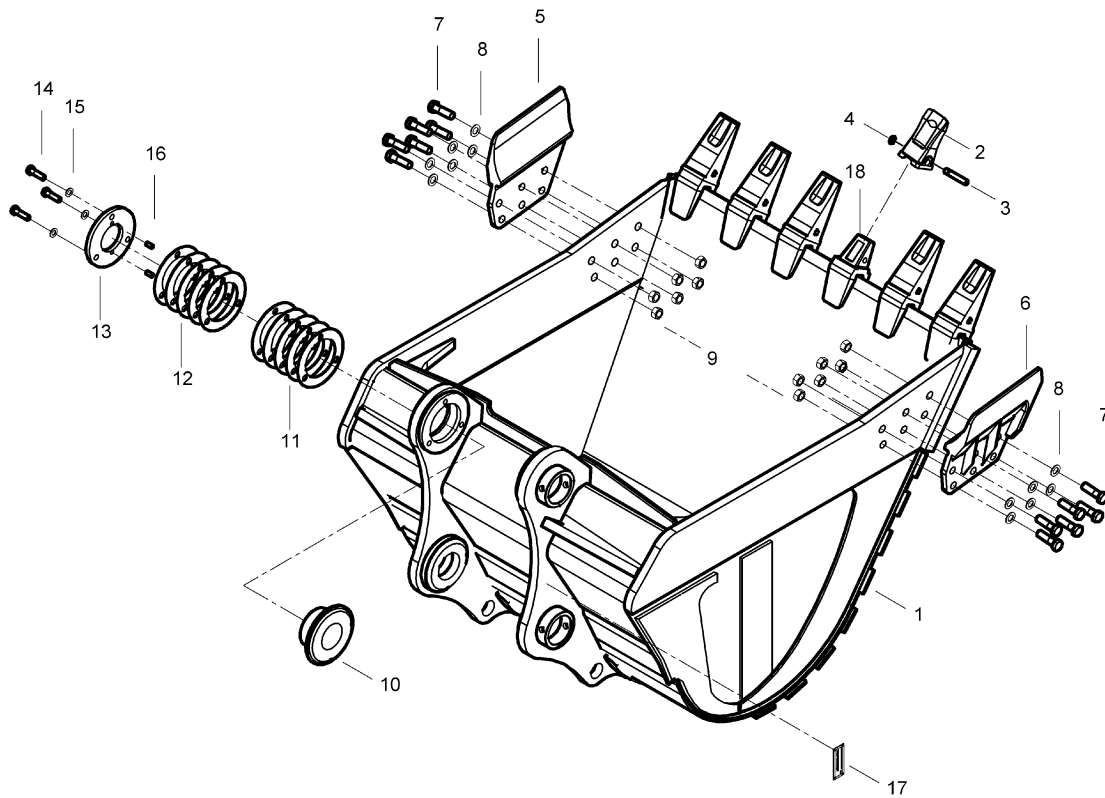
**KEPÇE, KAYA (1.5m<sup>3</sup>)**  
**BUCKET, ROCK(1.5m<sup>3</sup>)**



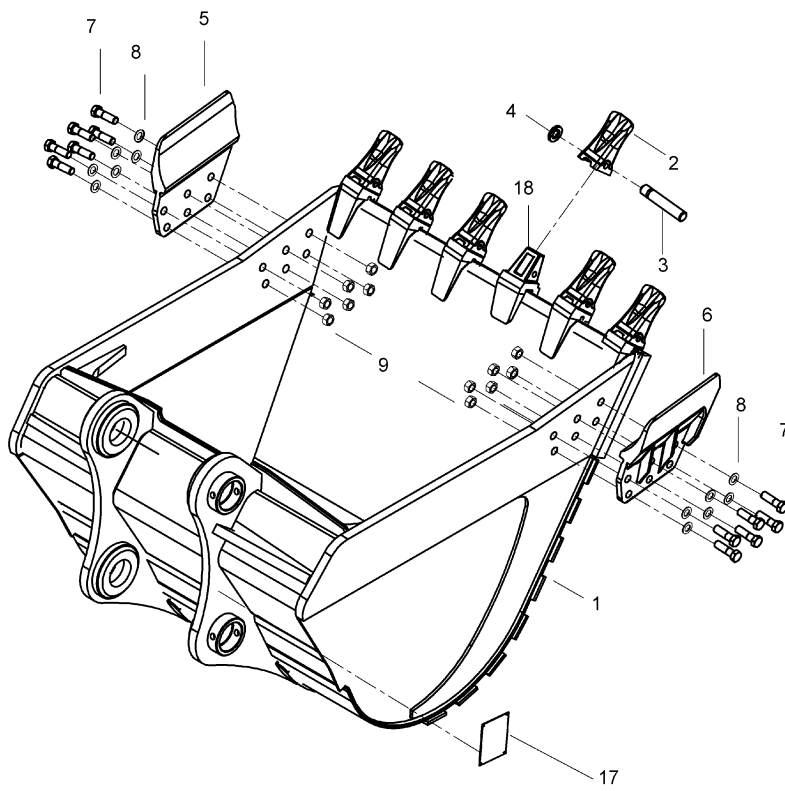
**KEPÇE, KAYA (1.3m<sup>3</sup>)**  
**BUCKET, ROCK TYPE (1.3m<sup>3</sup>)**



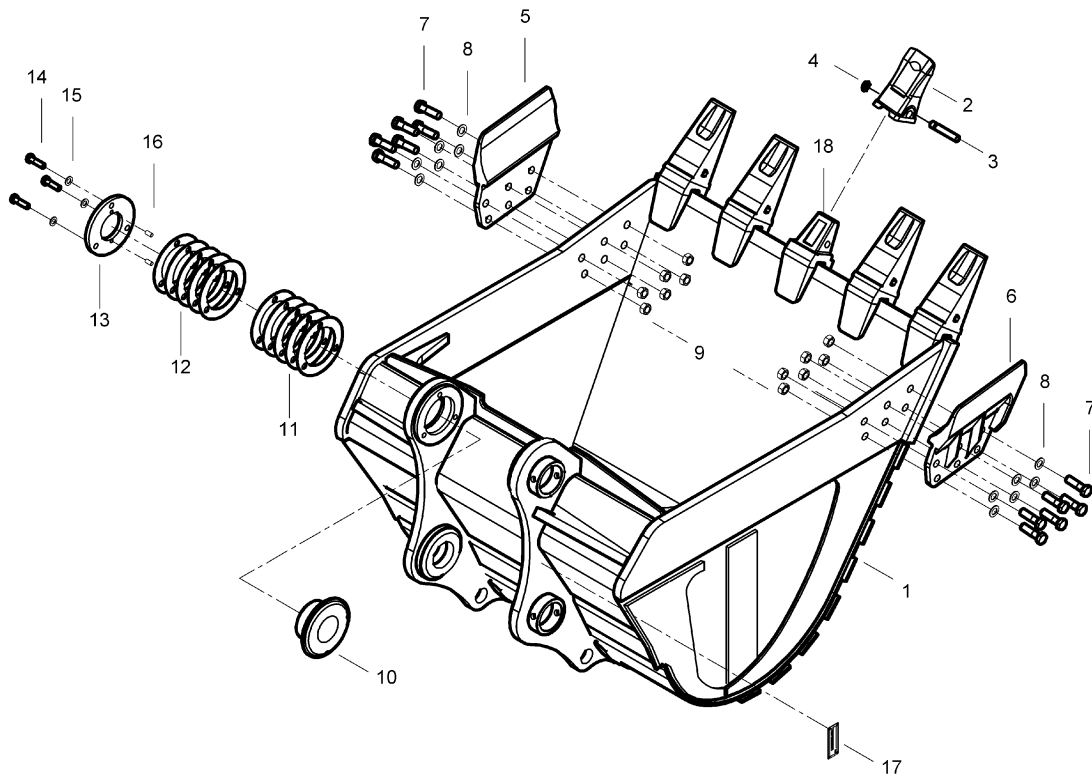
**KEPÇE, GENEL MAKSATLI (1.73m<sup>3</sup>)**  
**BUCKET, GENERAL PURPOSE (1.73m<sup>3</sup>)**



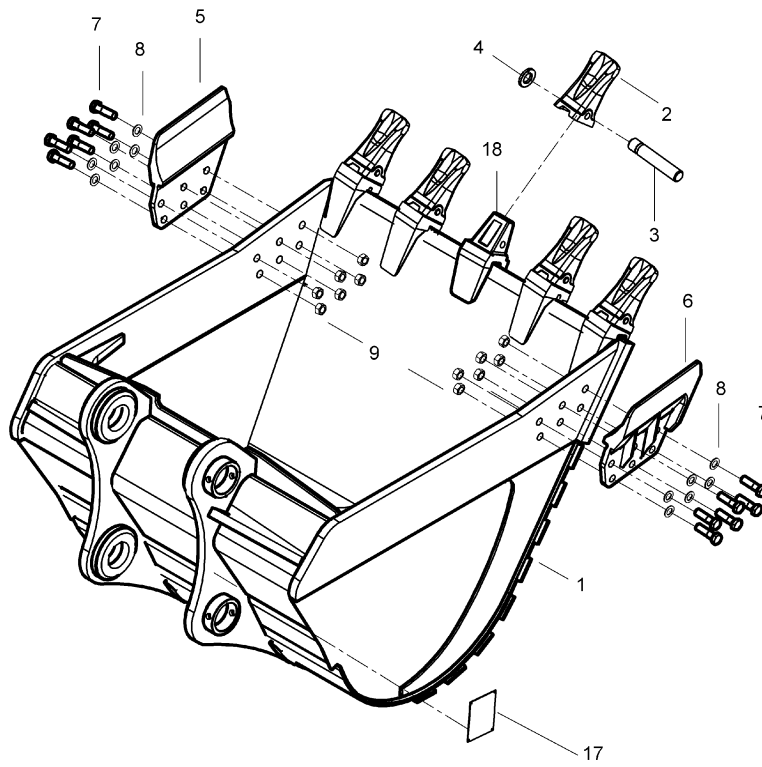
**KEPÇE, GENEL MAKSATLI (1.73m<sup>3</sup>)**  
**BUCKET, GENERAL PURPOSE (1.73m<sup>3</sup>)**



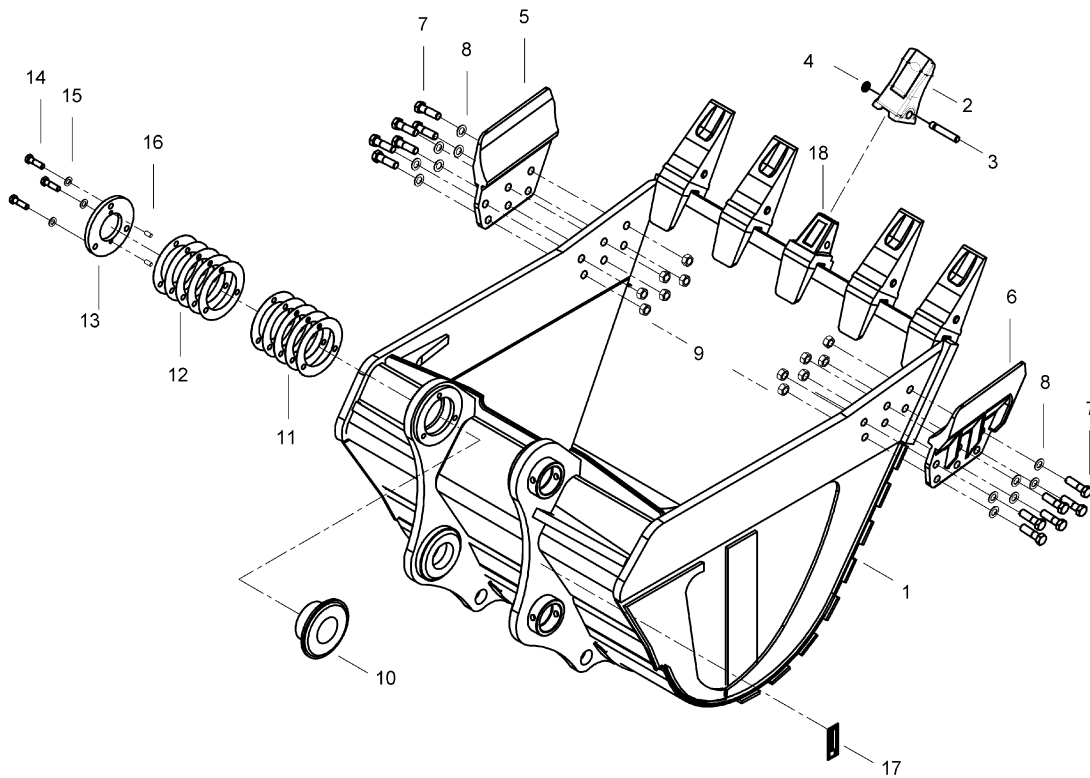
KEPÇE, GENEL MAKSATLI (1.5m<sup>3</sup>)  
BUCKET, GENERAL PURPOSE (1.5m<sup>3</sup>)



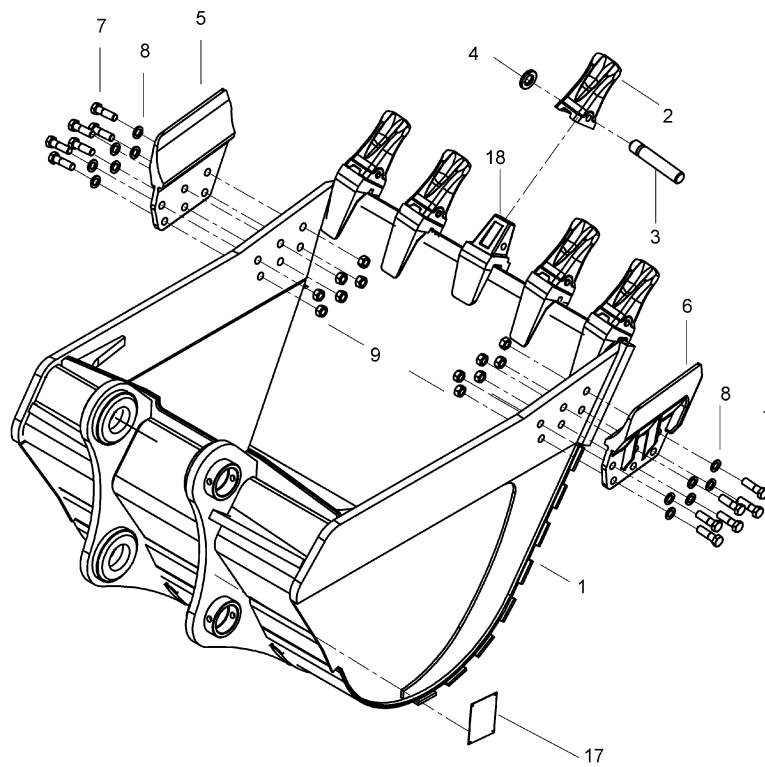
**KEPÇE, GENEL MAKSATLI (1.5m<sup>3</sup>)**  
**BUCKET, GENERAL PURPOSE (1.5m<sup>3</sup>)**



**KEPÇE, GENEL MAKSATLI (1.25m<sup>3</sup>)**  
**BUCKET, GENERAL PURPOSE (1.25m<sup>3</sup>)**

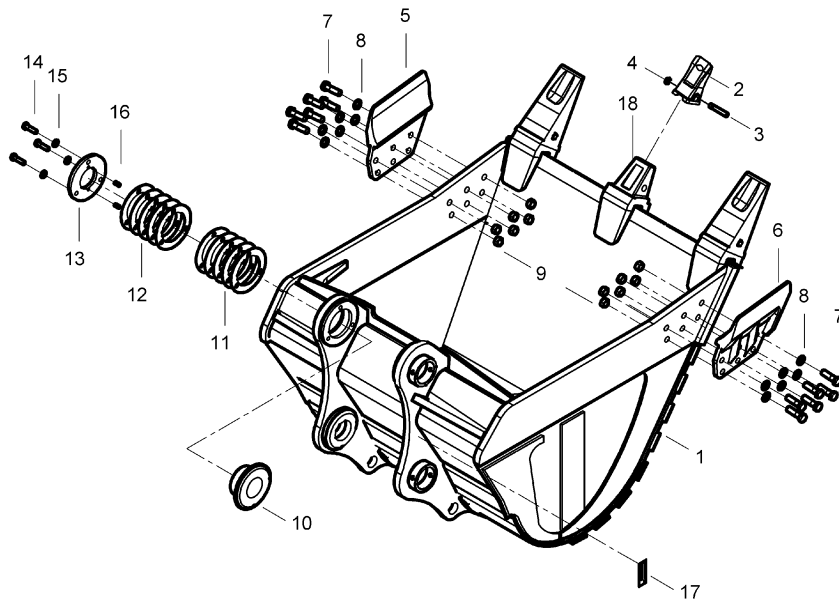


**KEPÇE, GENEL MAKSATLI (1.25m<sup>3</sup>)**  
**BUCKET, GENERAL PURPOSE (1.25m<sup>3</sup>)**

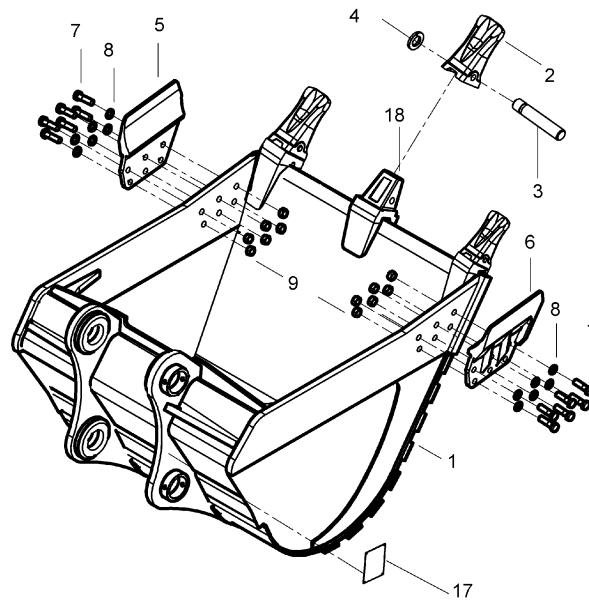




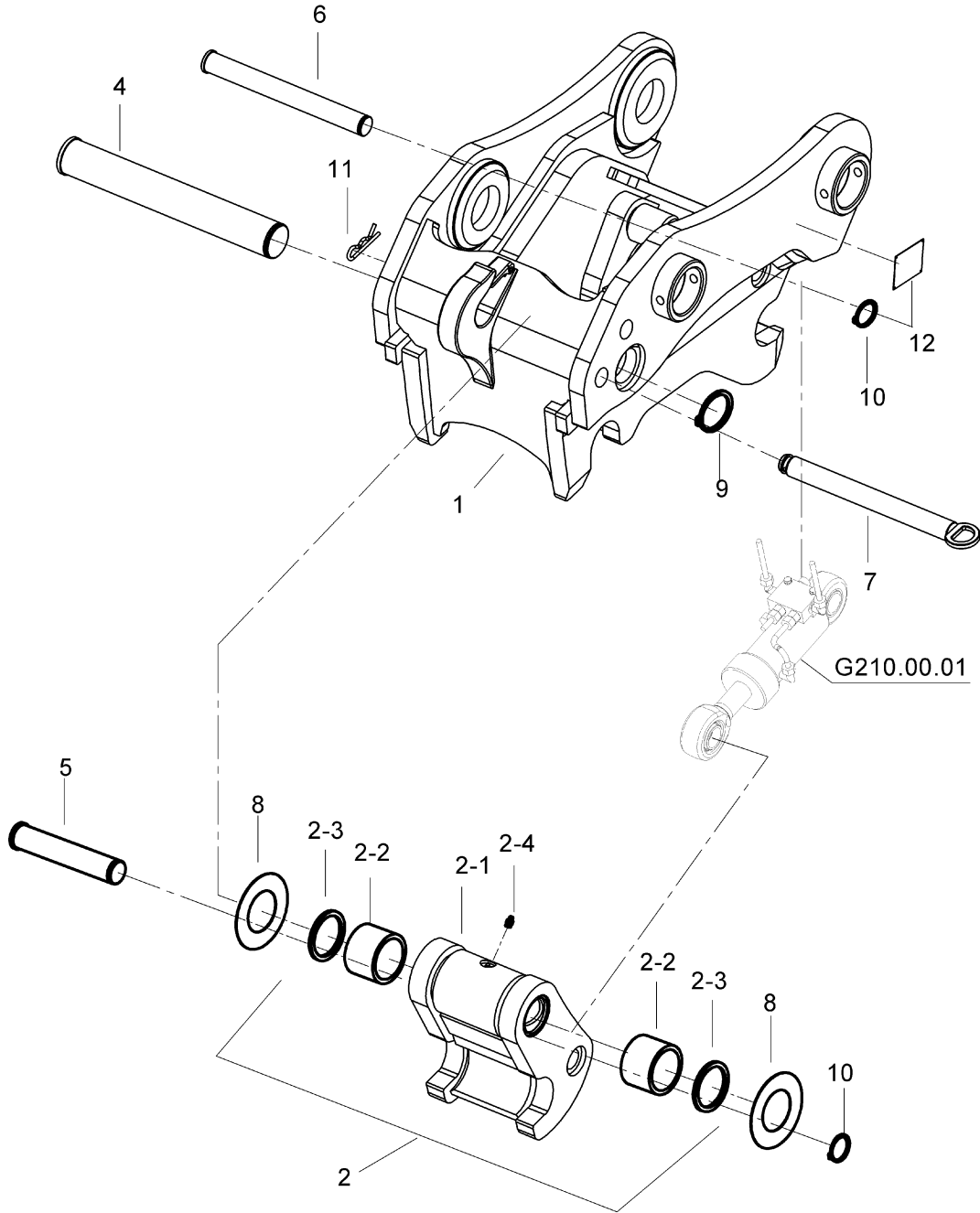
**KEPÇE, GENEL MAKSATLI (0.62m<sup>3</sup>)**  
**BUCKET, GENERAL PURPOSE (0.62m<sup>3</sup>)**



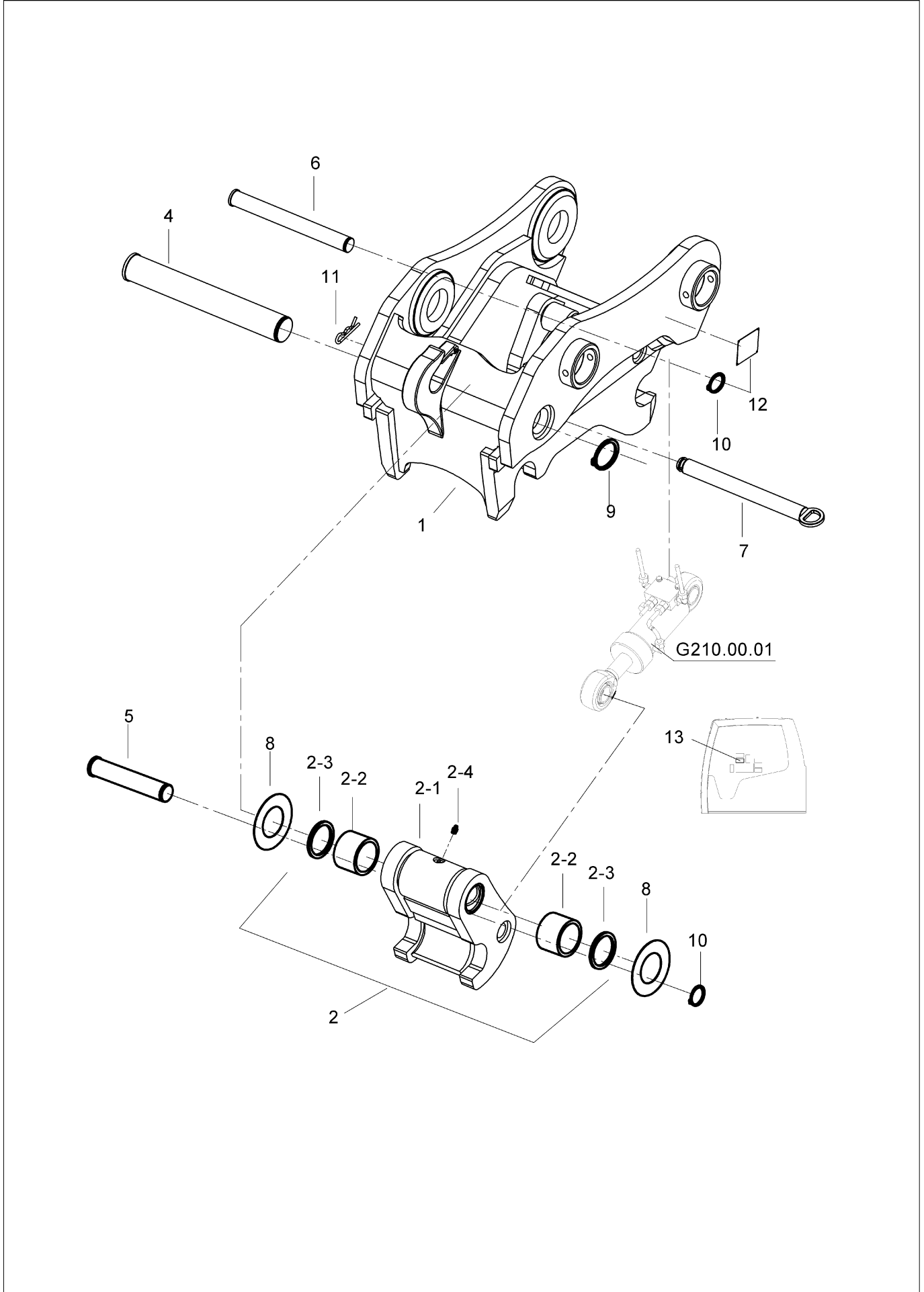
**KEPÇE, GENEL MAKSATLI (0.62m<sup>3</sup>)**  
**BUCKET, GENERAL PURPOSE (0.62m<sup>3</sup>)**



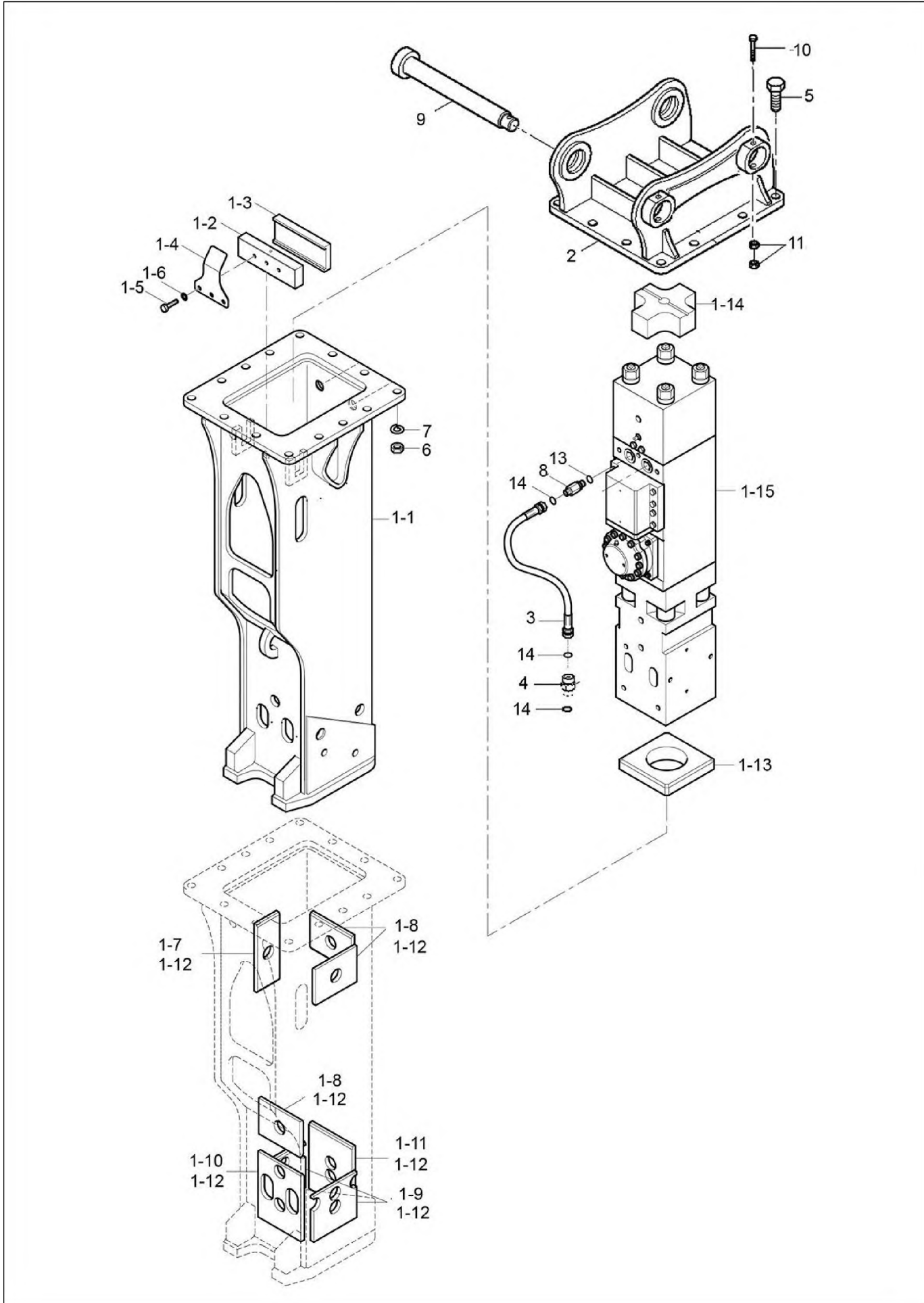
ÇABUK SÖK-TAK KOMPLESİ (OP)  
QUICK COUPLER ASS'Y (OP)



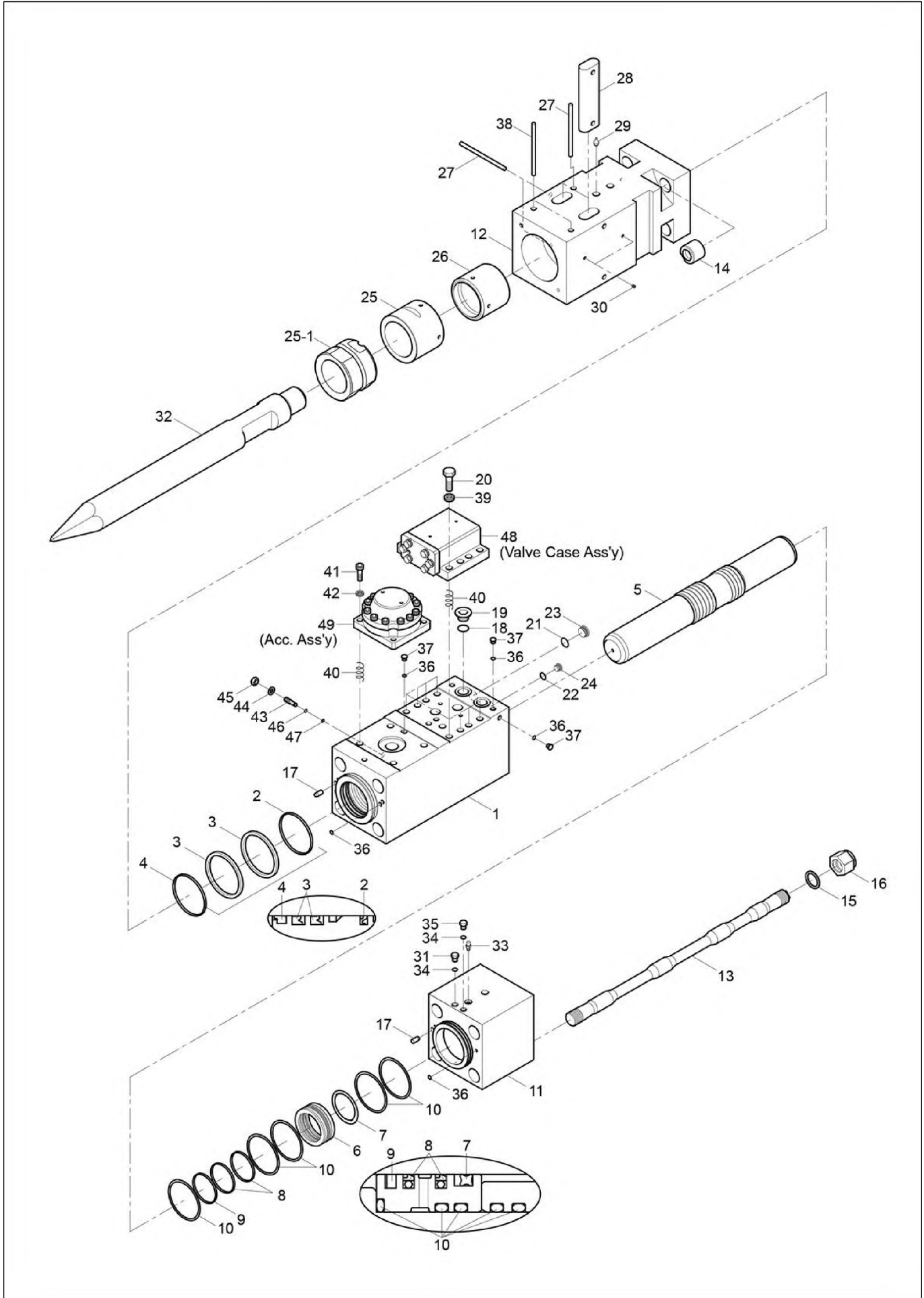
ÇABUK SÖK-TAK KOMPLESİ (OP)  
QUICK COUPLER ASS'Y (OP)



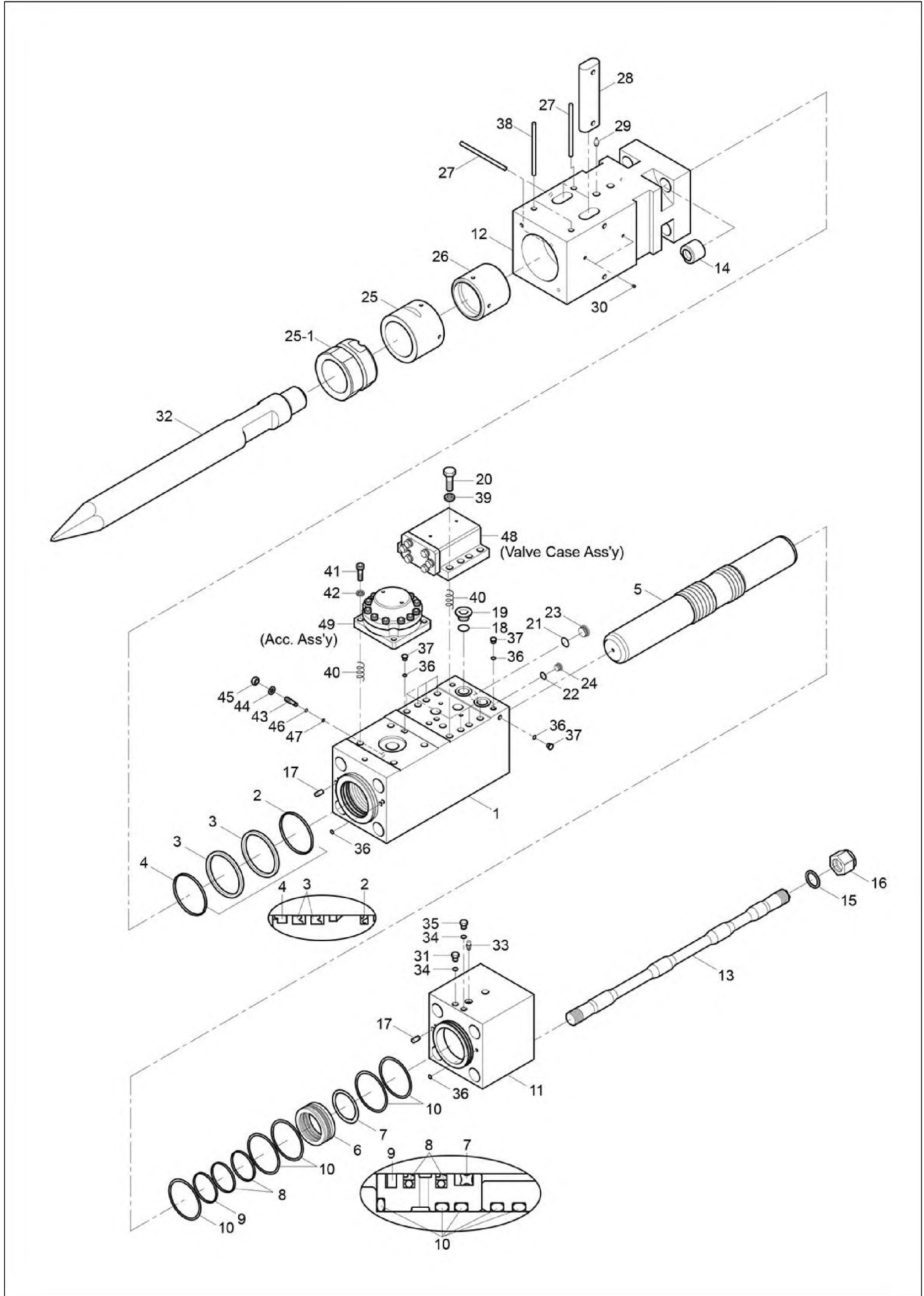
### KIRICI MONTAJI (B300, OP) BREAKER MOUNTING (B300, OP)



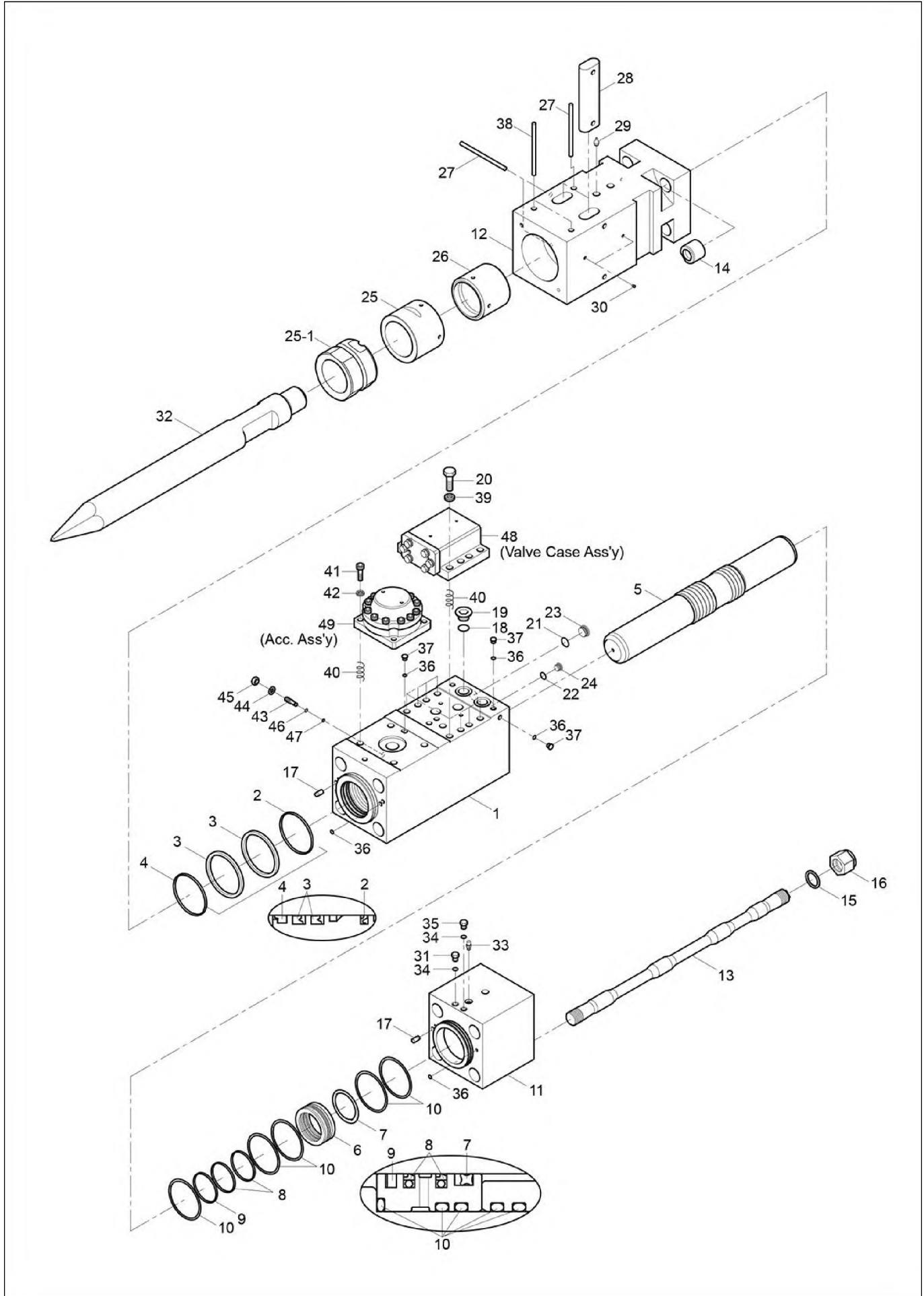
### KIRICI MONTAJI (B300, OP) BREAKER MOUNTING (B300, OP)



### KIRICI KOMPLESİ (B300, OP) BREAKER ASS'Y (B300, OP)

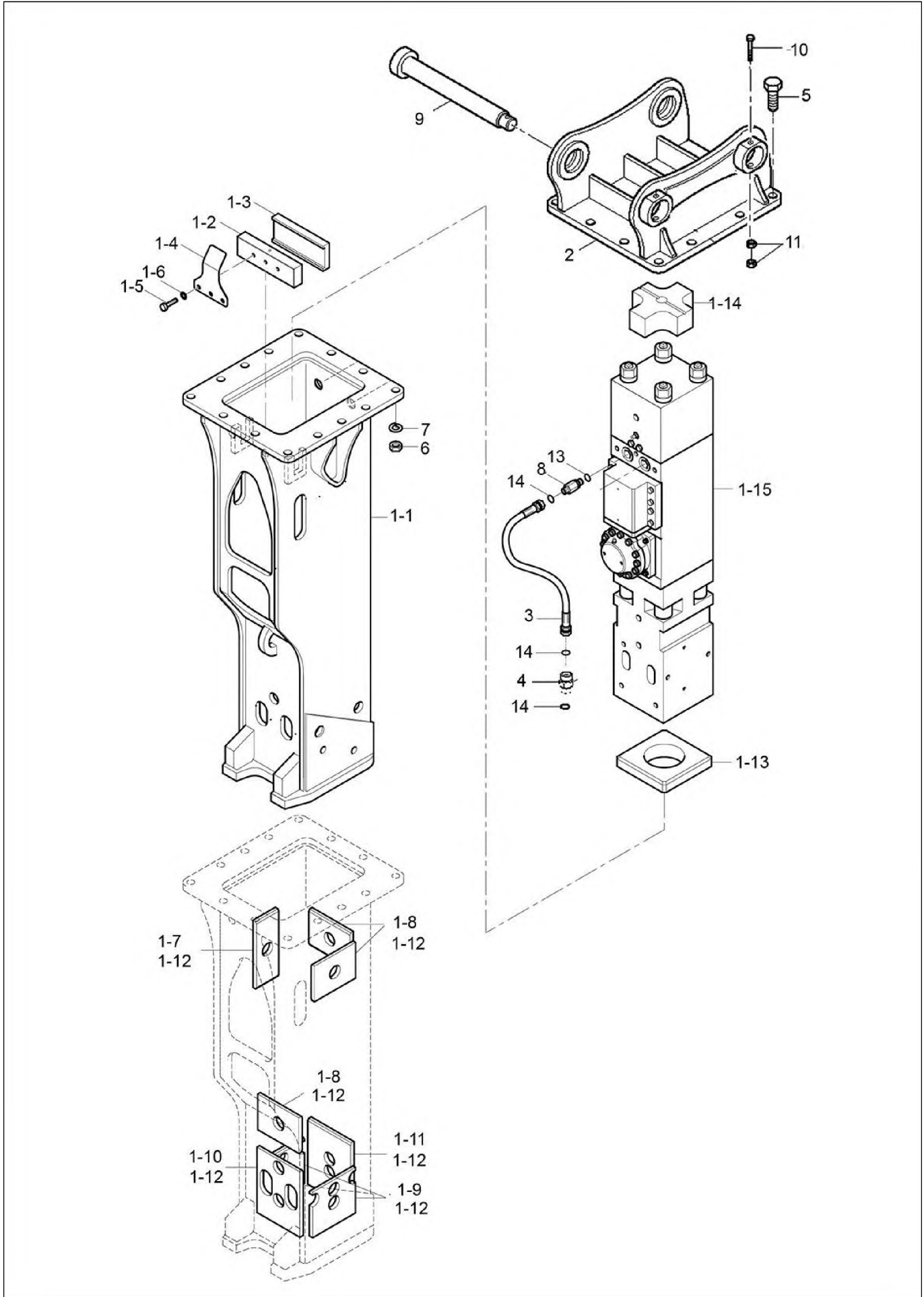


### KIRICI KOMPLESİ (B300, OP) BREAKER ASS'Y (B300, OP)

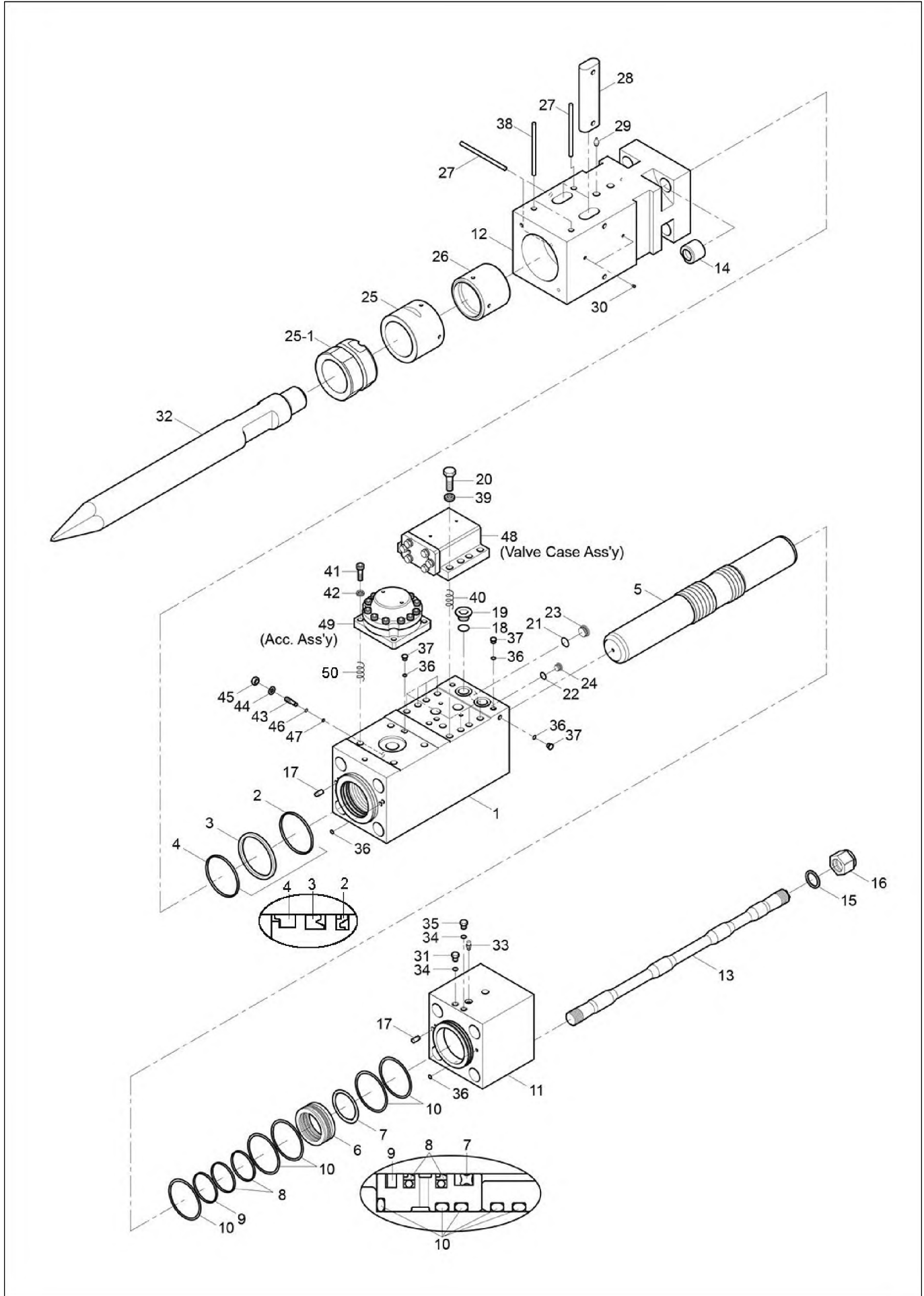




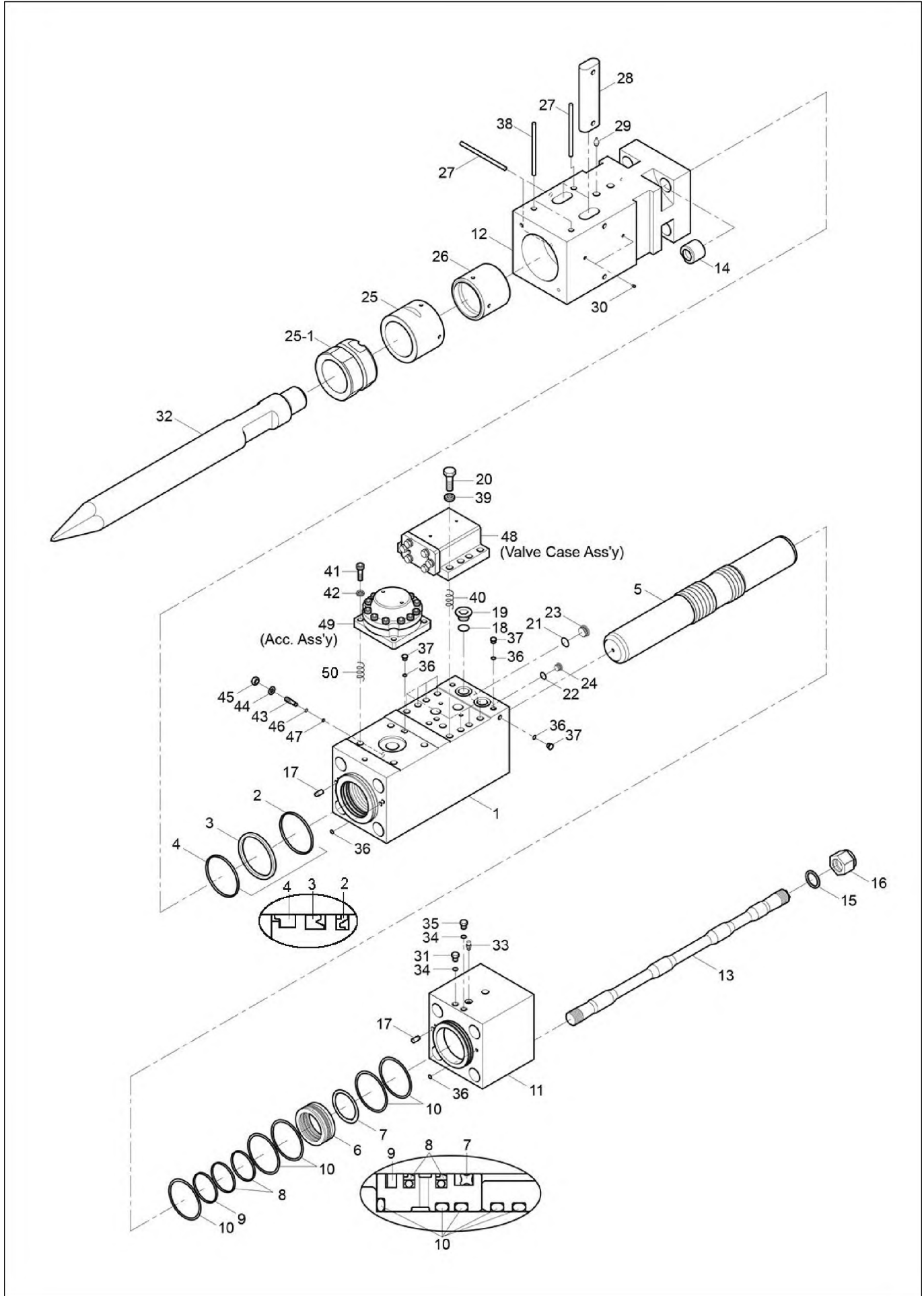
### KIRICI MONTAJI (B250, OP) BREAKER MOUNTING (B250, OP)



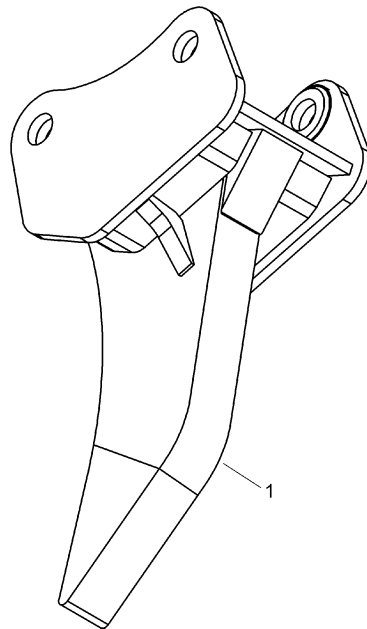
### KIRICI KOMPLESİ (B250, OP) BREAKER ASS'Y (B250, OP)



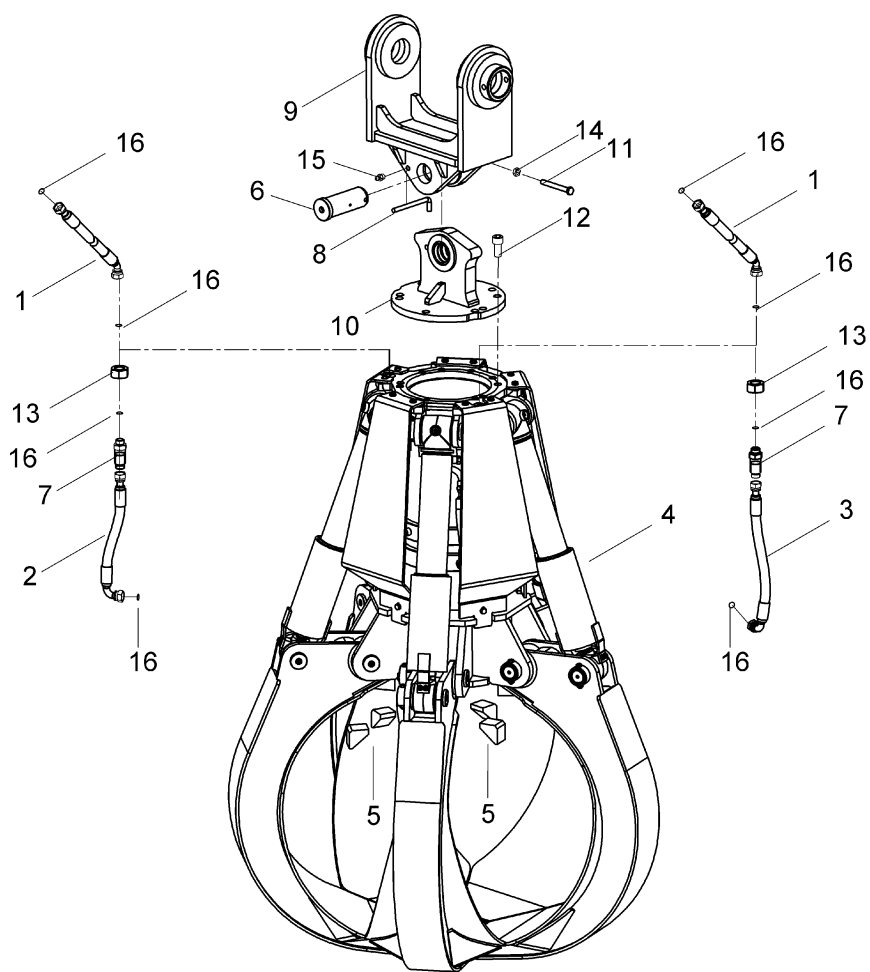
### KIRICI KOMPLESİ (B250, OP) BREAKER ASS'Y (B250, OP)



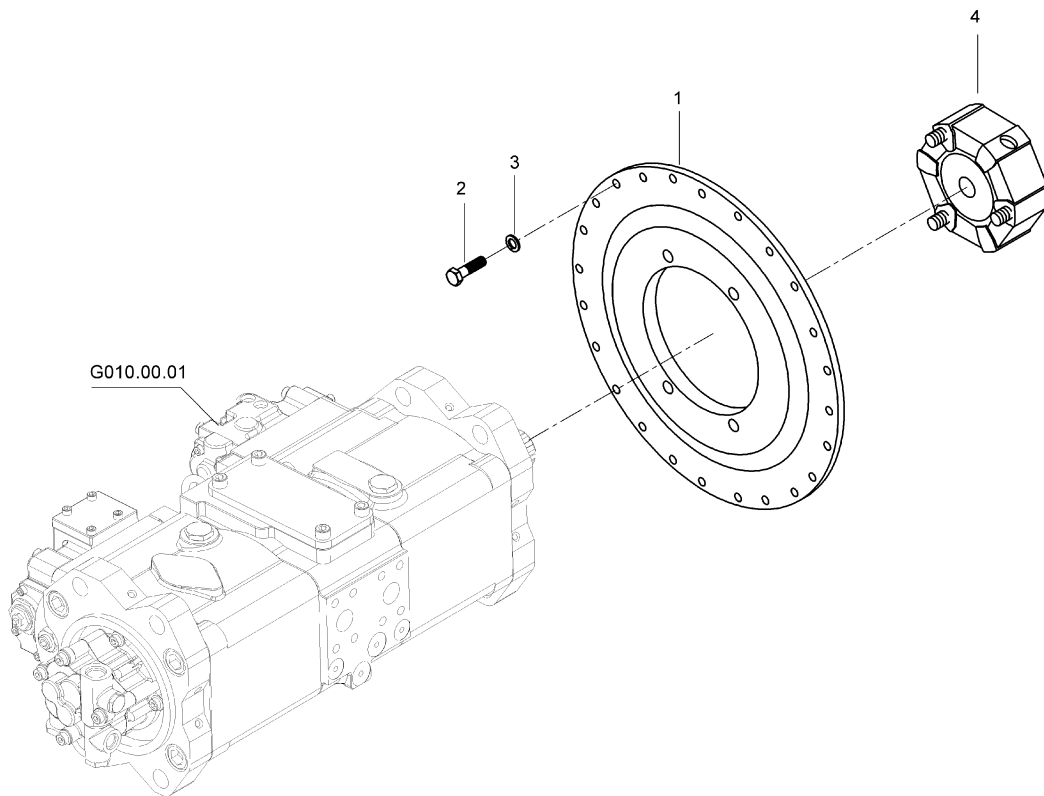
RIPER (OP)  
RIPPER (OP)



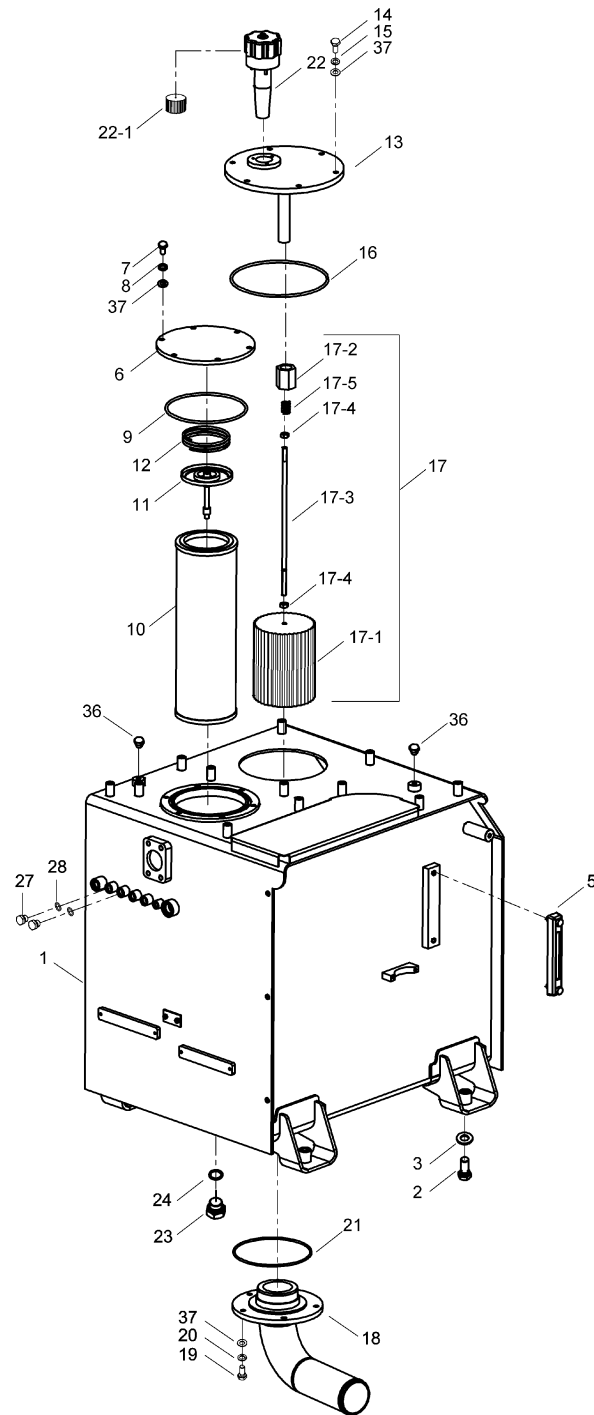
POLIP (OP)  
POLYP (OP)



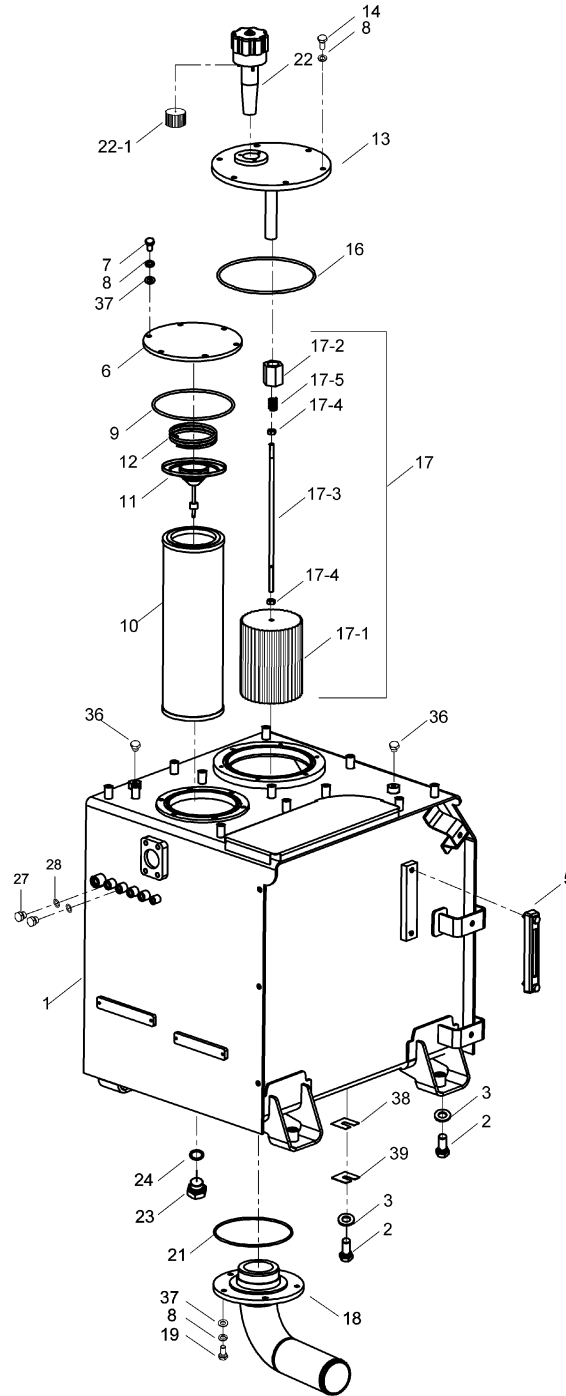
# HİDROLİK POMPA MONTAJI HYDRAULIC PUMP MOUNTING



HİDROLİK TANK MONTAJI  
HYDRAULIC TANK ASS'Y

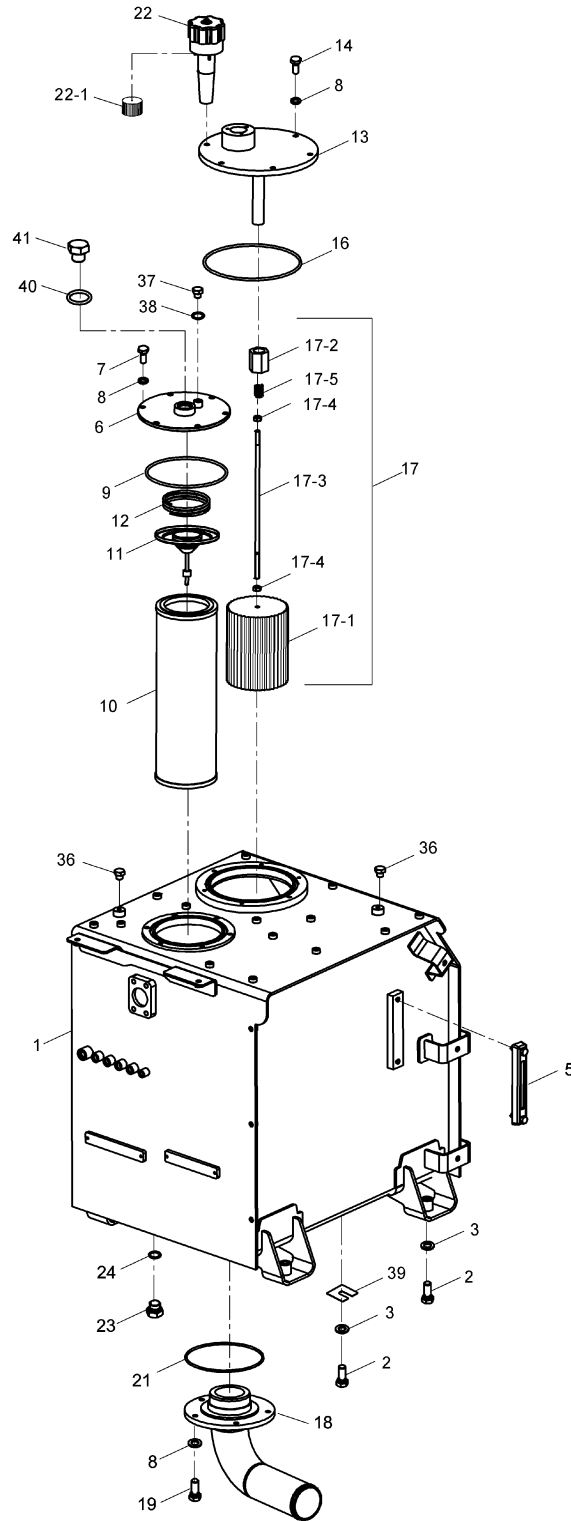


HİDROLİK TANK MONTAJI  
HYDRAULIC TANK ASS'Y

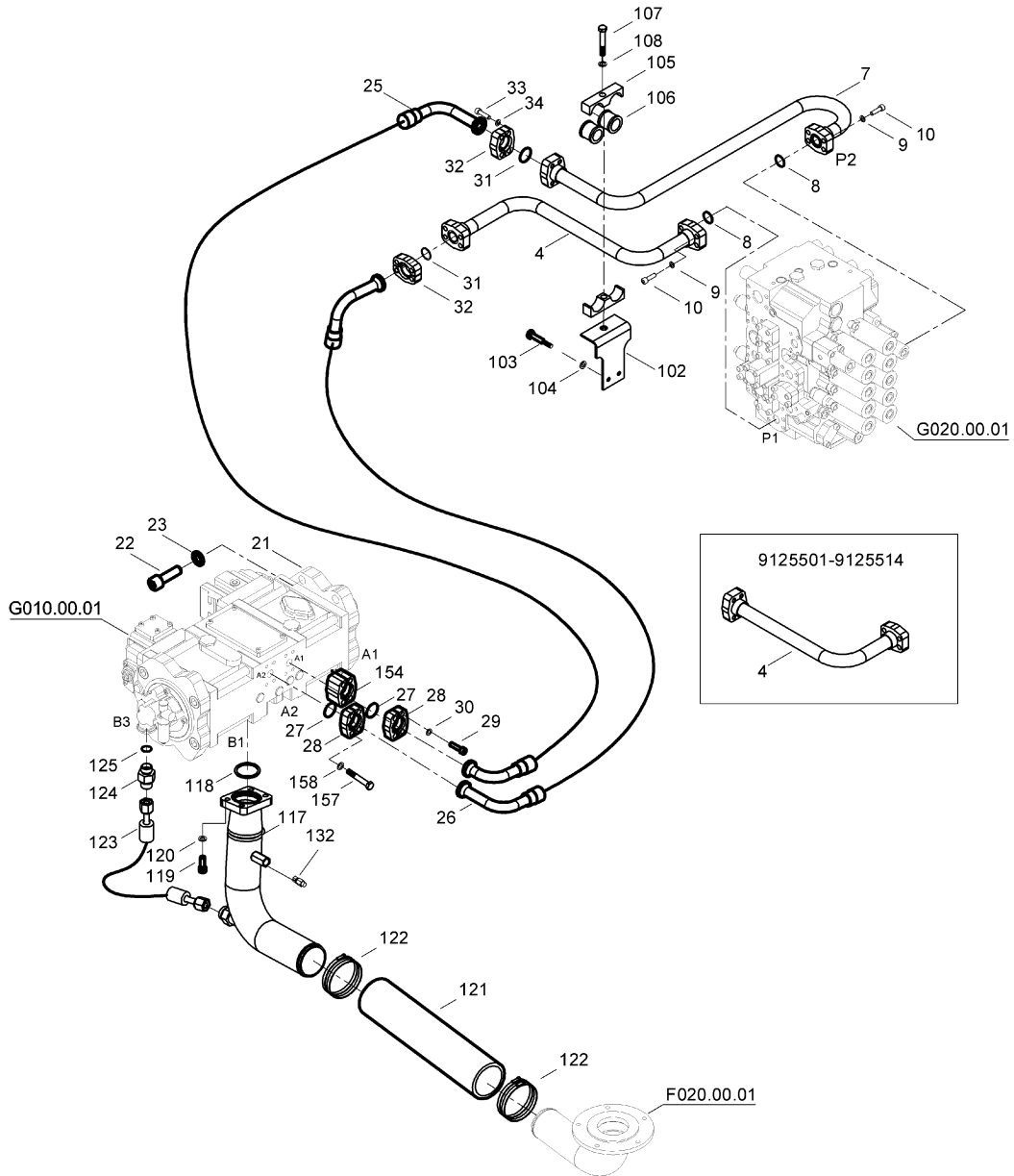




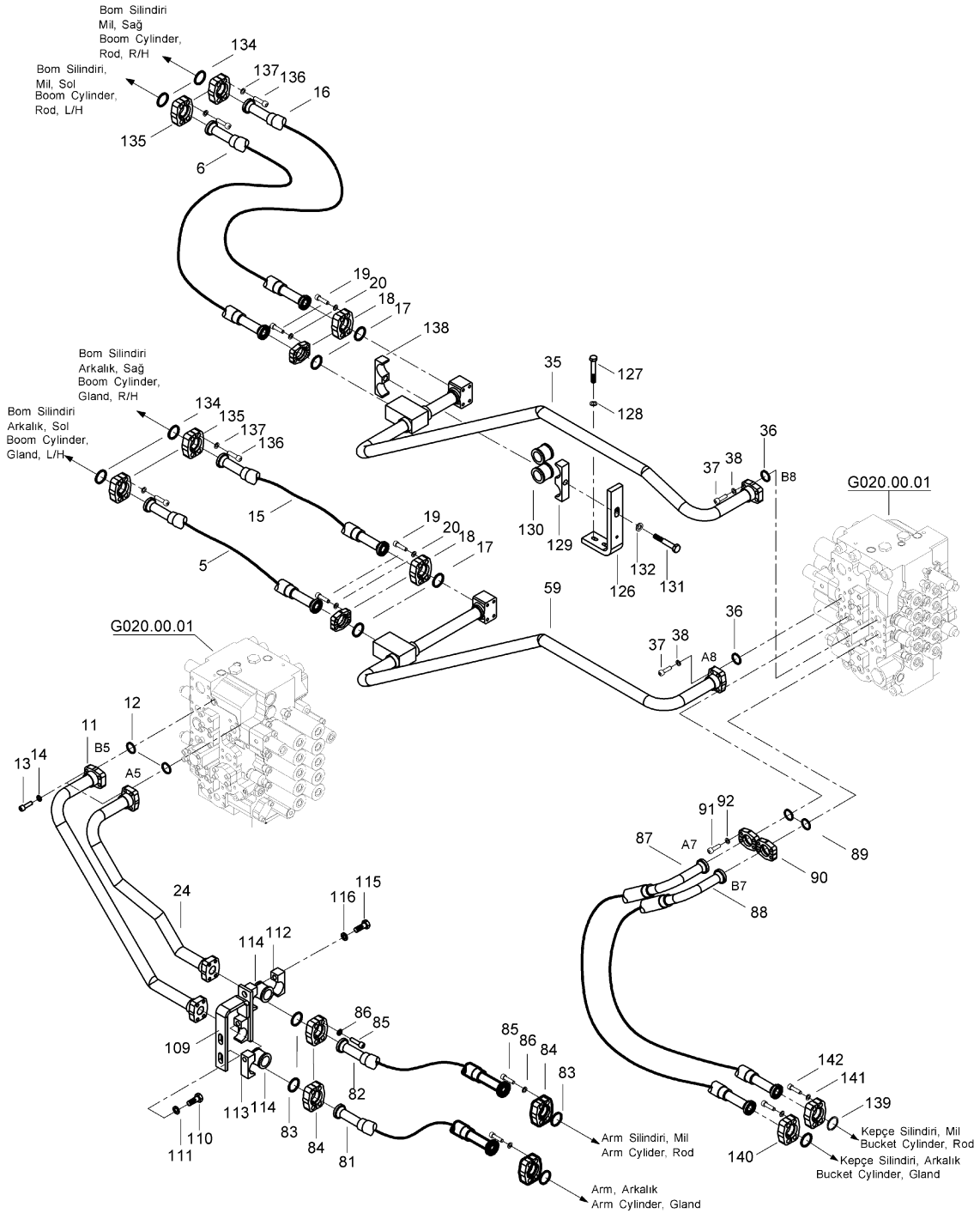
# HİDROLİK TANK MONTAJI HYDRAULIC TANK ASS'Y



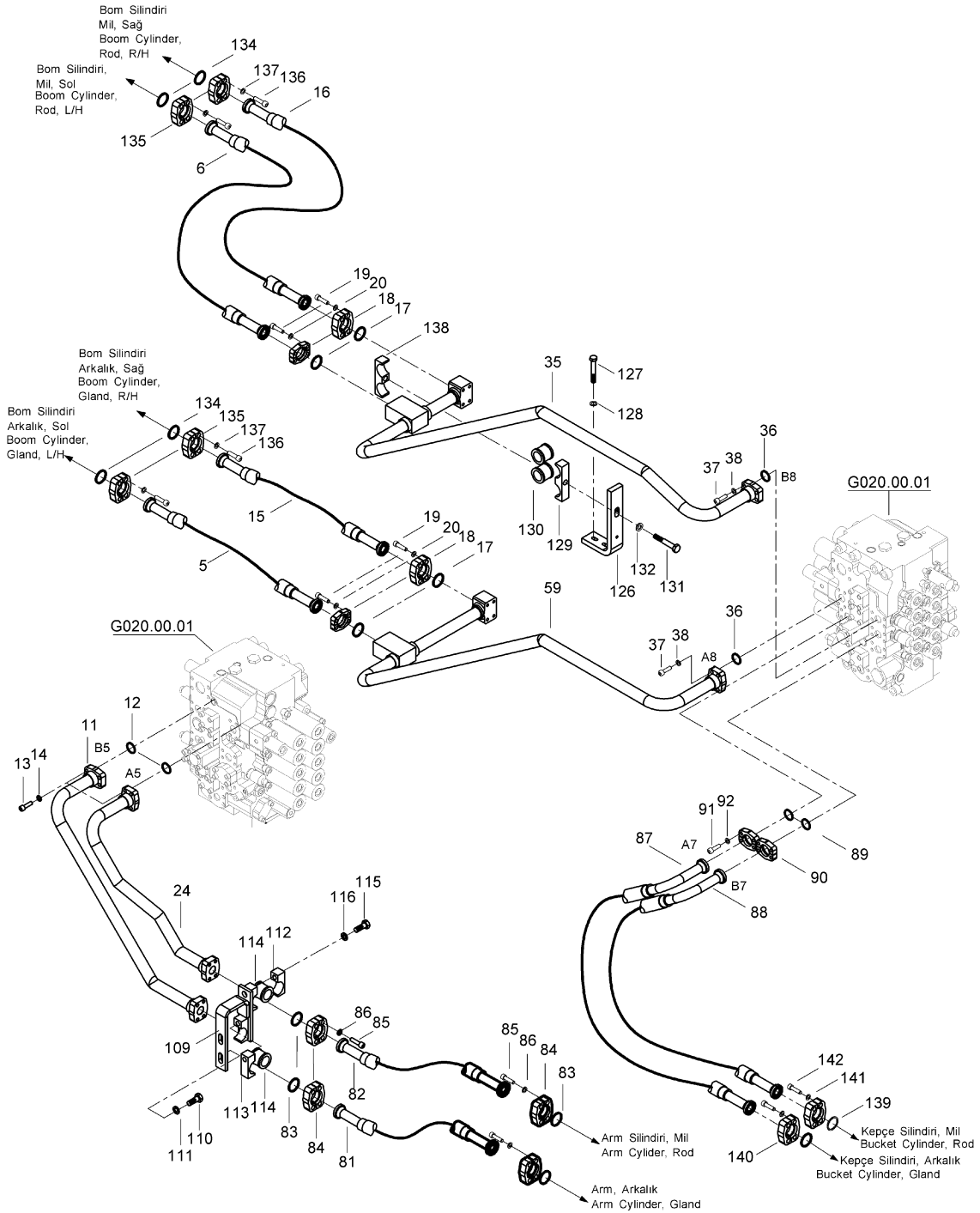
ÜST ŞAŞI HİDROLİK TESİSATI, ANA  
UPPER FRAME HYD. PIPING, BASE



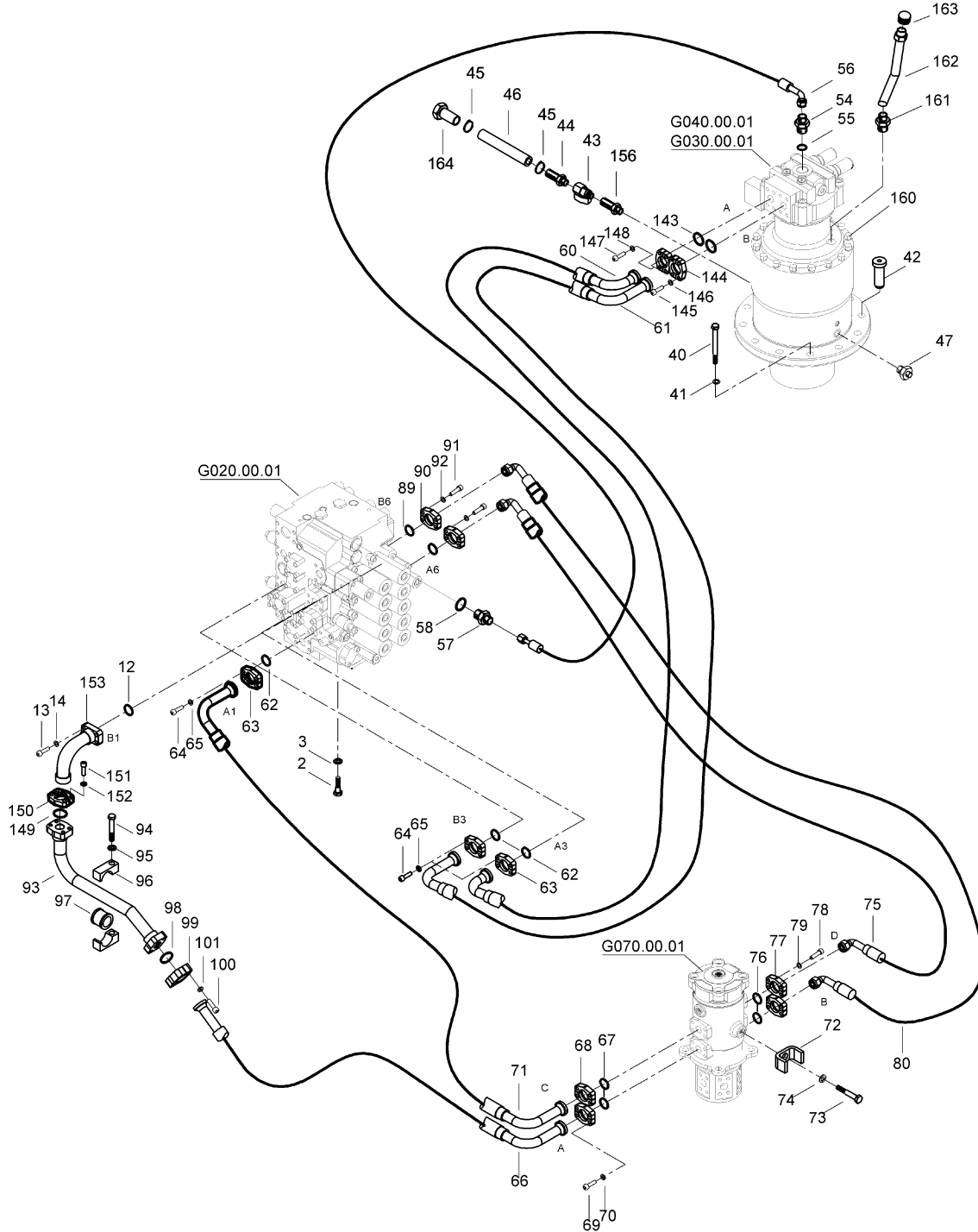
## ÜST ŞASI HİDROLİK TESİSATI, ATAŞMAN UPPER FRAME HYD. PIPING, ATTACHMENT



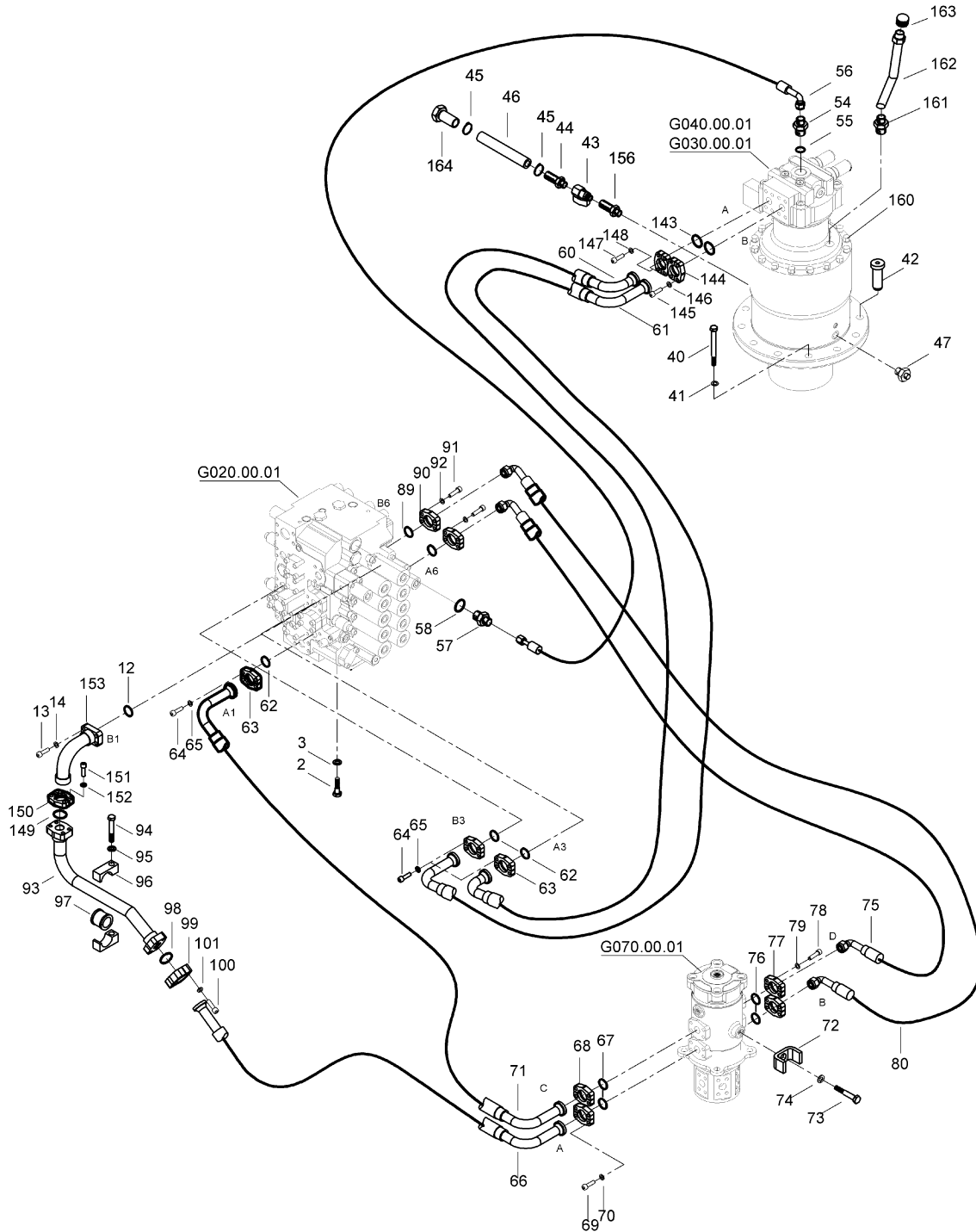
## ÜST ŞASI HİDROLİK TESİSATI, ATAŞMAN UPPER FRAME HYD. PIPING, ATTACHMENT



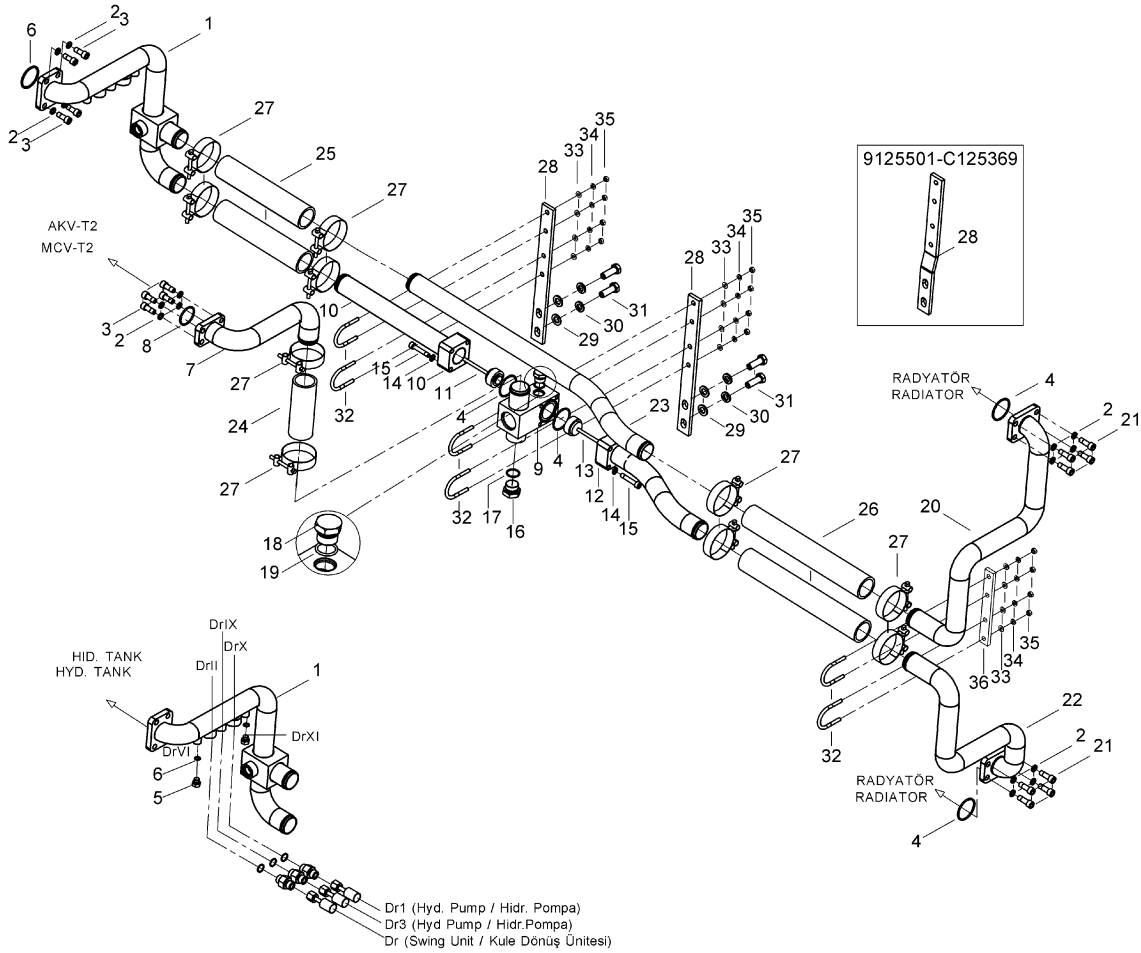
ÜST ŞAŞI HİDROLİK TESİSATI, YÜRÜYÜŞ&DÖNÜŞ  
 UPPER FRAME HYD. PIPING, TRAVEL&SWING



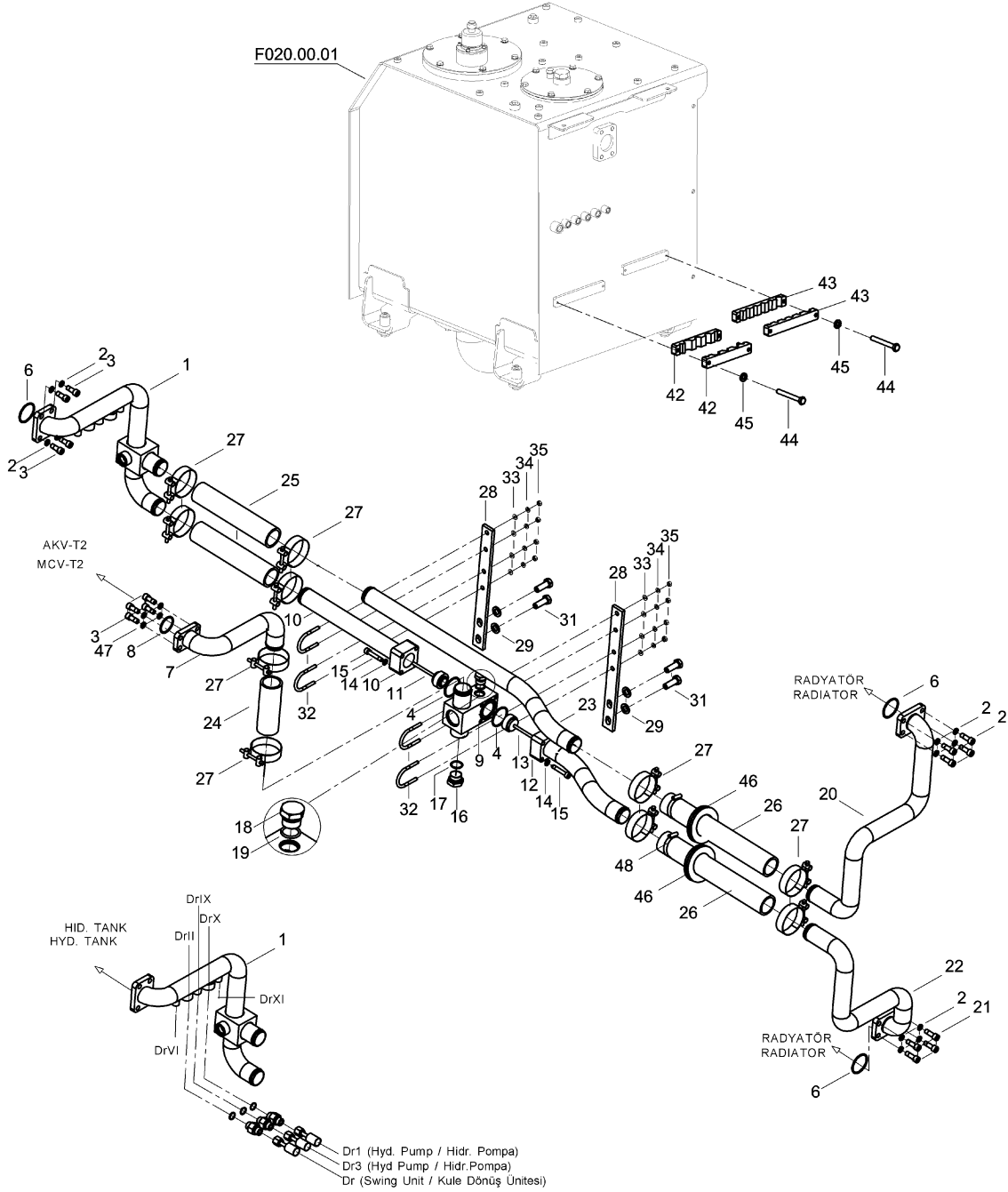
ÜST ŞASI HİDROLİK TESİSATI, YÜRÜYÜŞ&DÖNÜŞ  
UPPER FRAME HYD. PIPING, TRAVEL&SWING



## ÜST ŞAŞI DÖNÜŞ VE SIZINTI HATTI HİDROLİK TESİSATI (1) UPPER FRAME DRAIN AND RETURN HYD. PIPING (1)

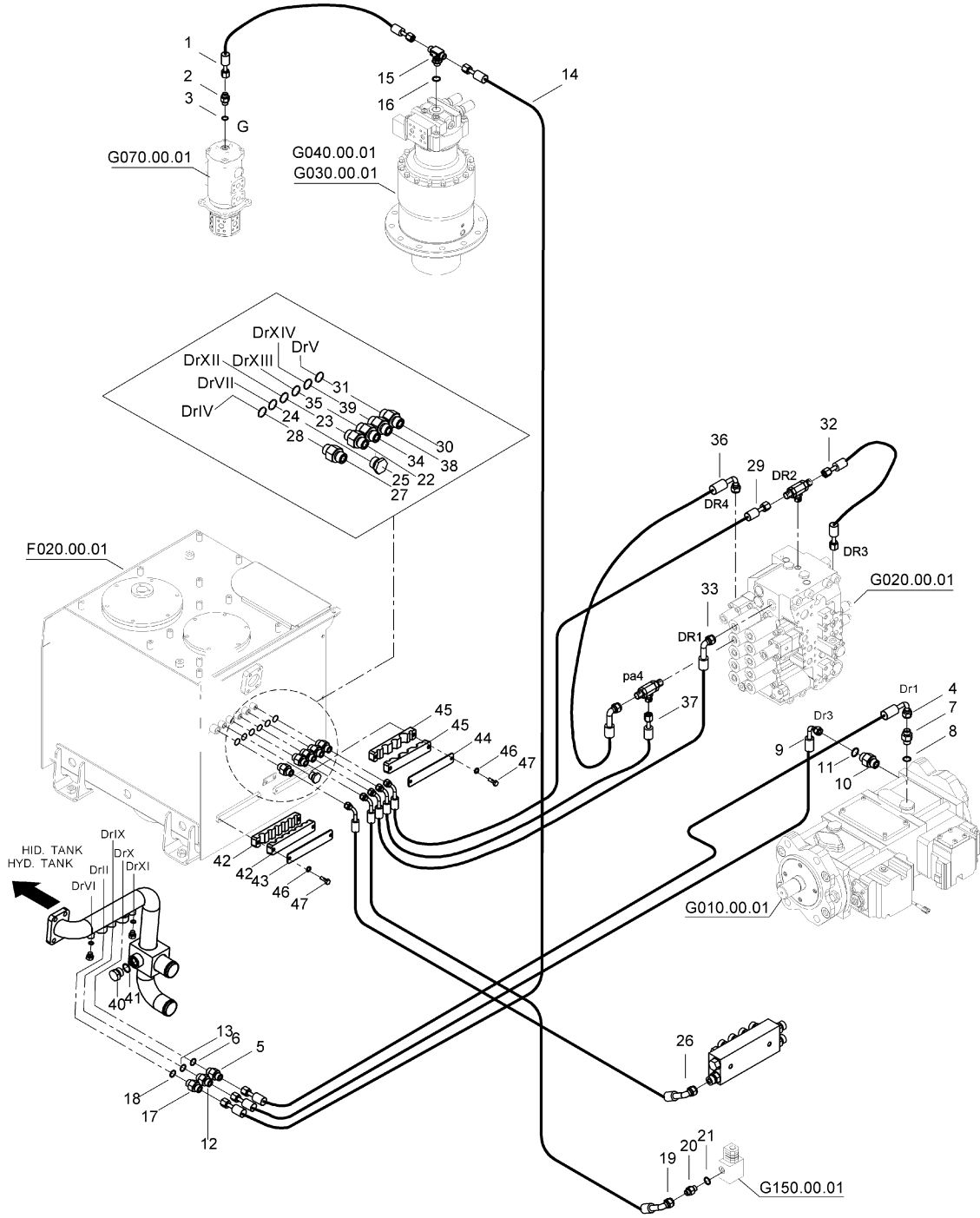


## ÜST ŞAŞI DÖNÜŞ VE SIZINTI HATTI HİDROLİK TESİSATI (1) UPPER FRAME DRAIN AND RETURN HYD. PIPING (1)

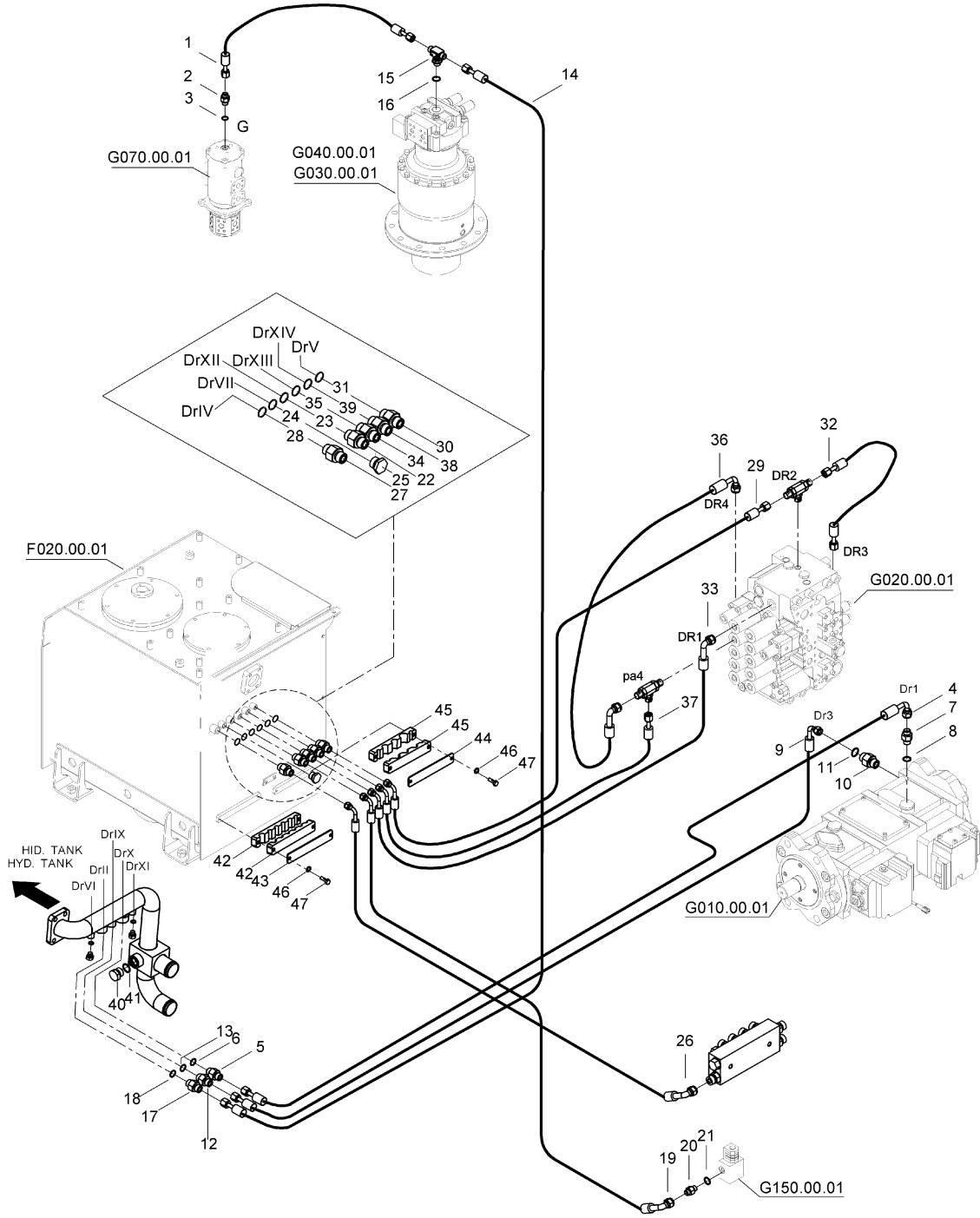




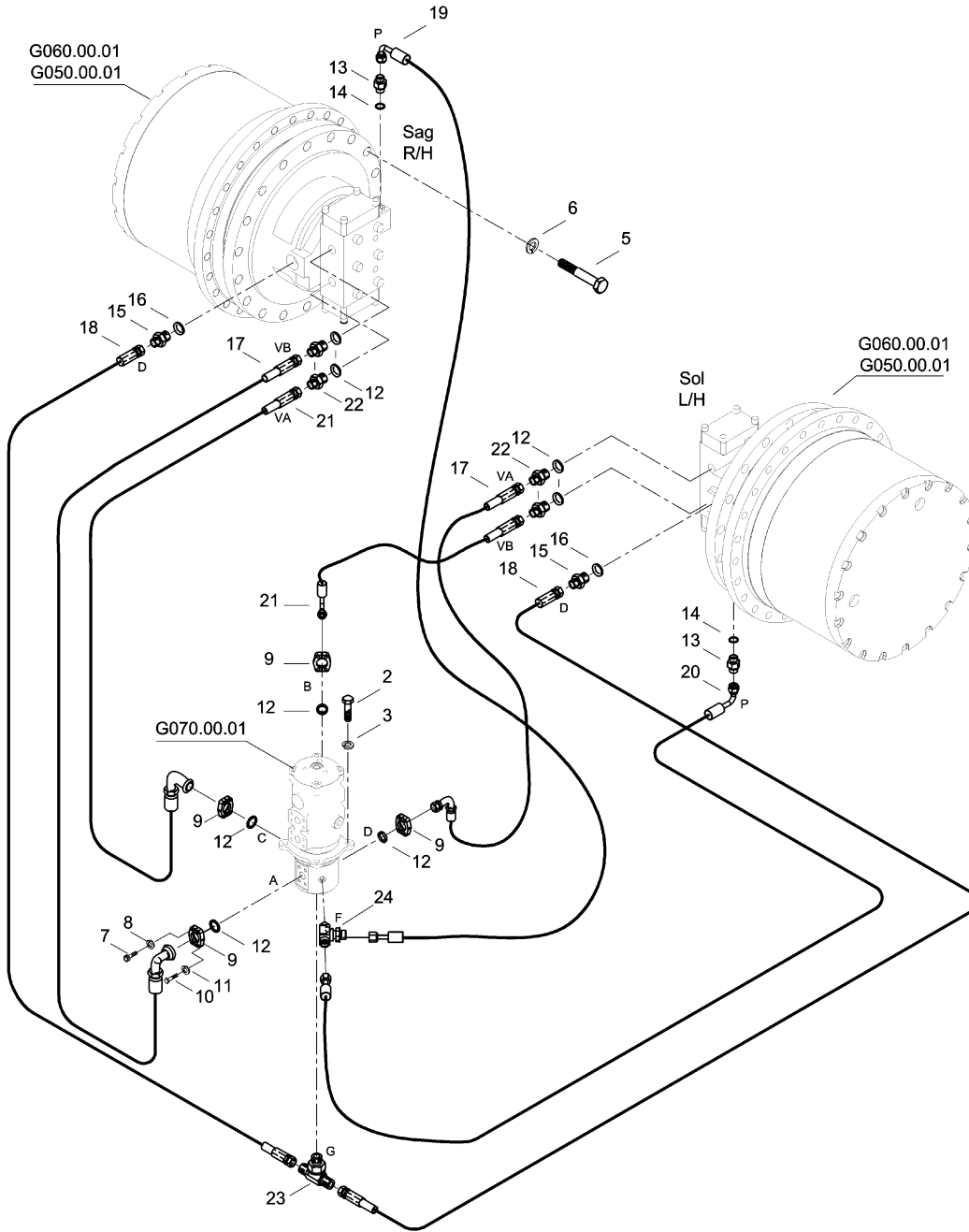
**ÜST ŞAŞI DÖNÜŞ VE SIZINTI HATTI HİDROLİK TESİSATI (2)**  
**UPPER FRAME DRAIN AND RETURN HYD. PIPING (2)**



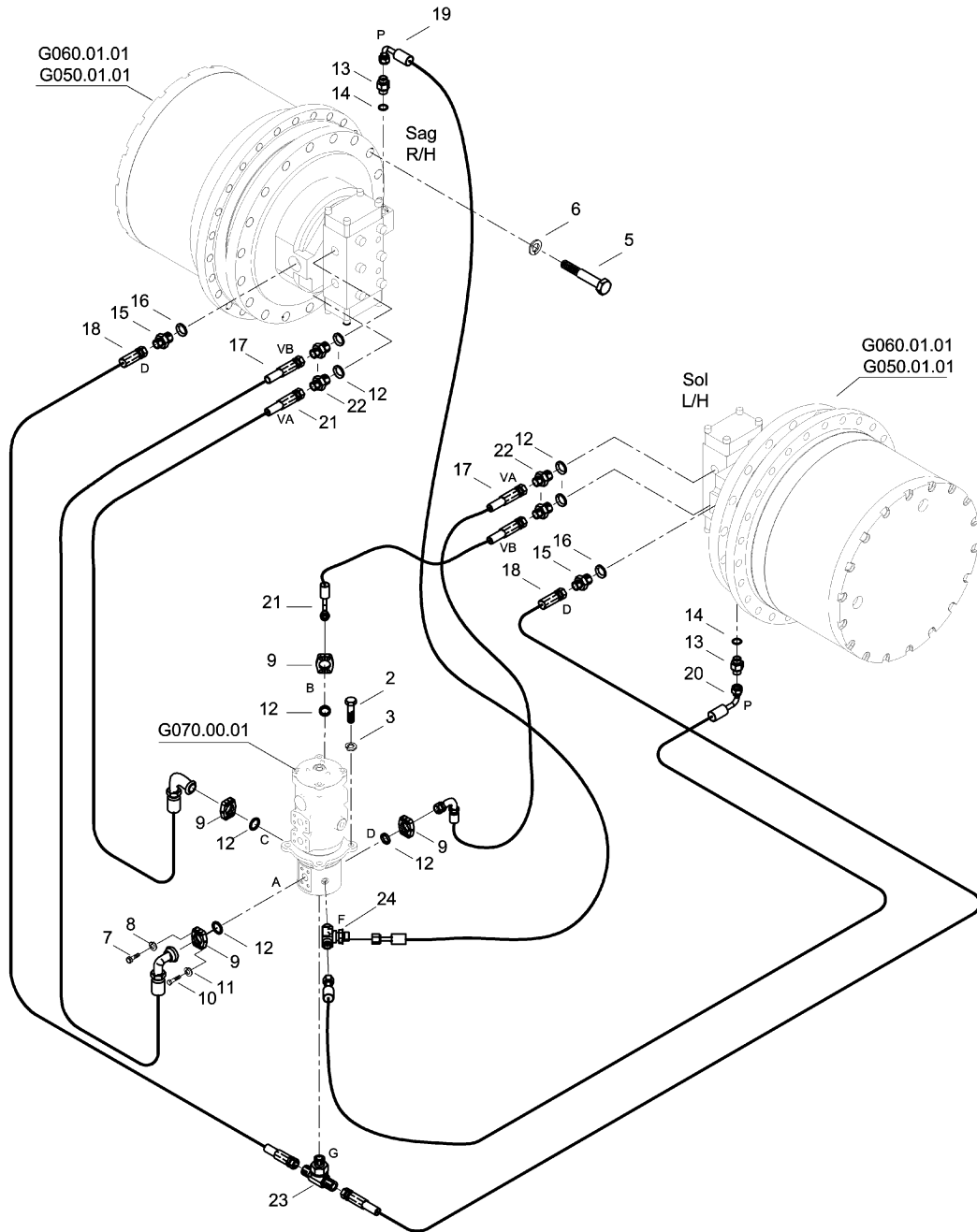
**ÜST ŞAŞI DÖNÜŞ VE SIZINTI HATTI HİDROLİK TESİSATI (2)**  
**UPPER FRAME DRAIN AND RETURN HYD. PIPING (2)**



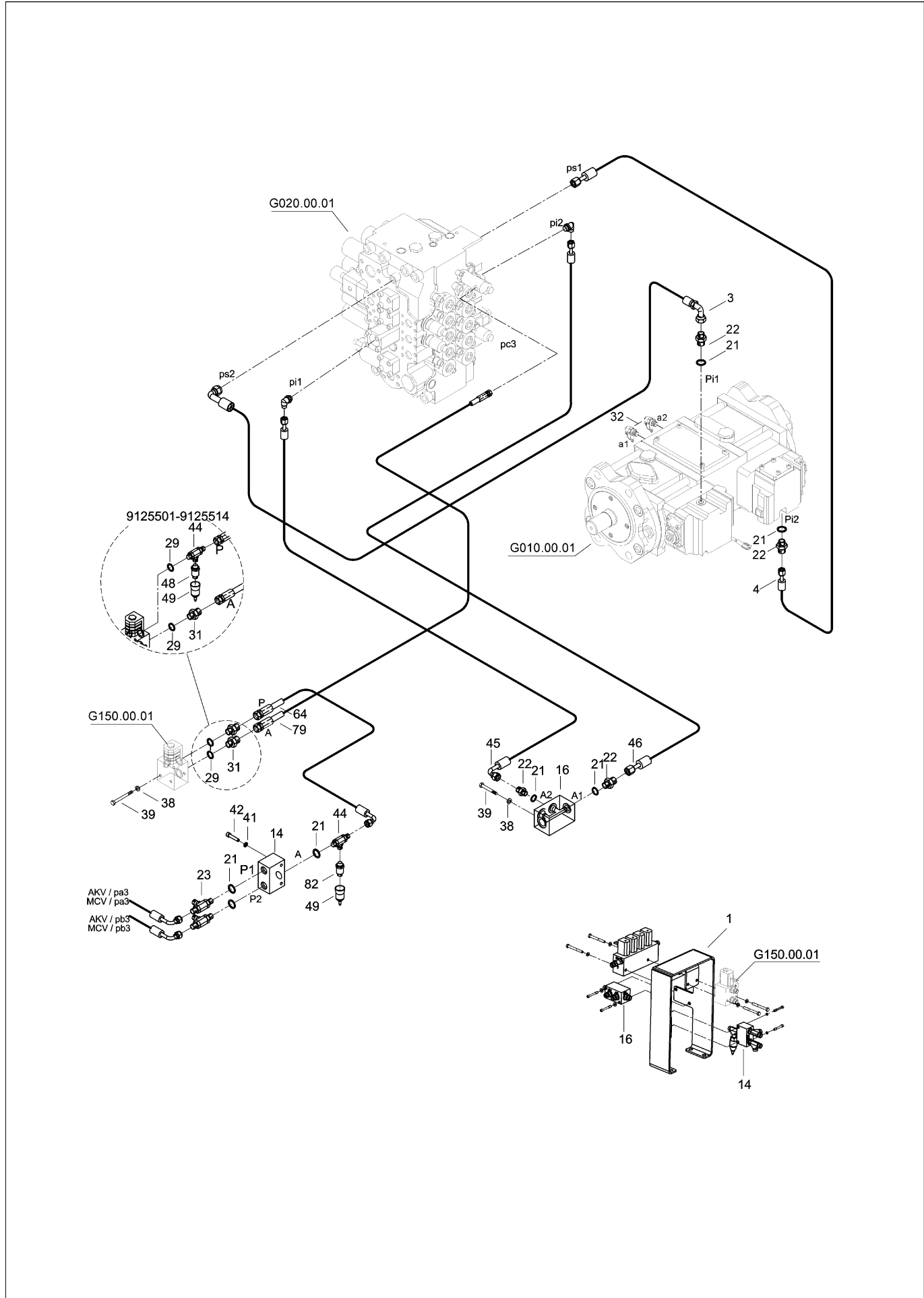
### ALT ŞASI HİDROLİK TESİSATI (TİP A) LOWER FRAME HYD. PIPING (TYPE A)



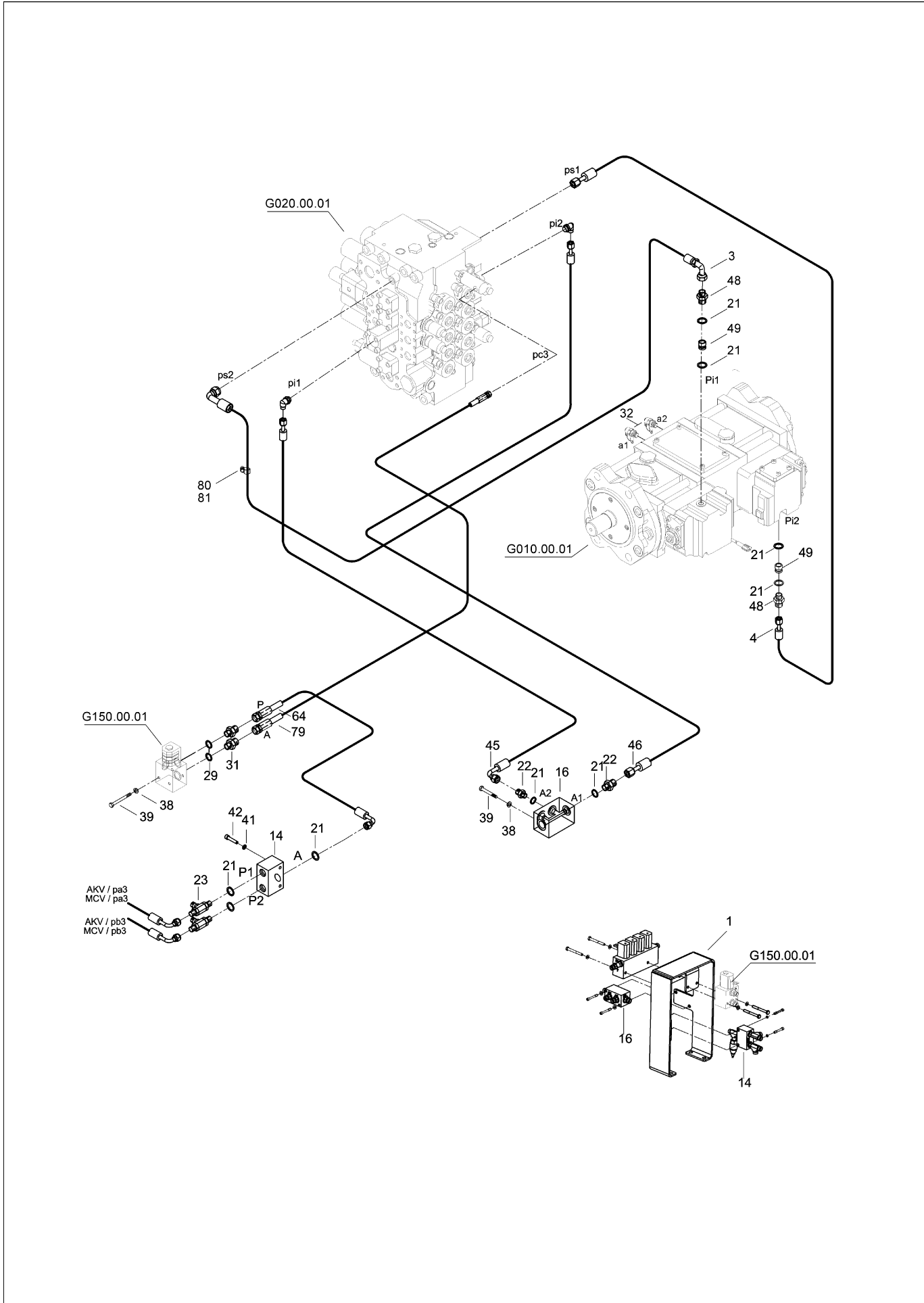
### ALT ŞASI HİDROLİK TESİSATI (TİP B) LOWER FRAME HYD. PIPING (TYPE B)



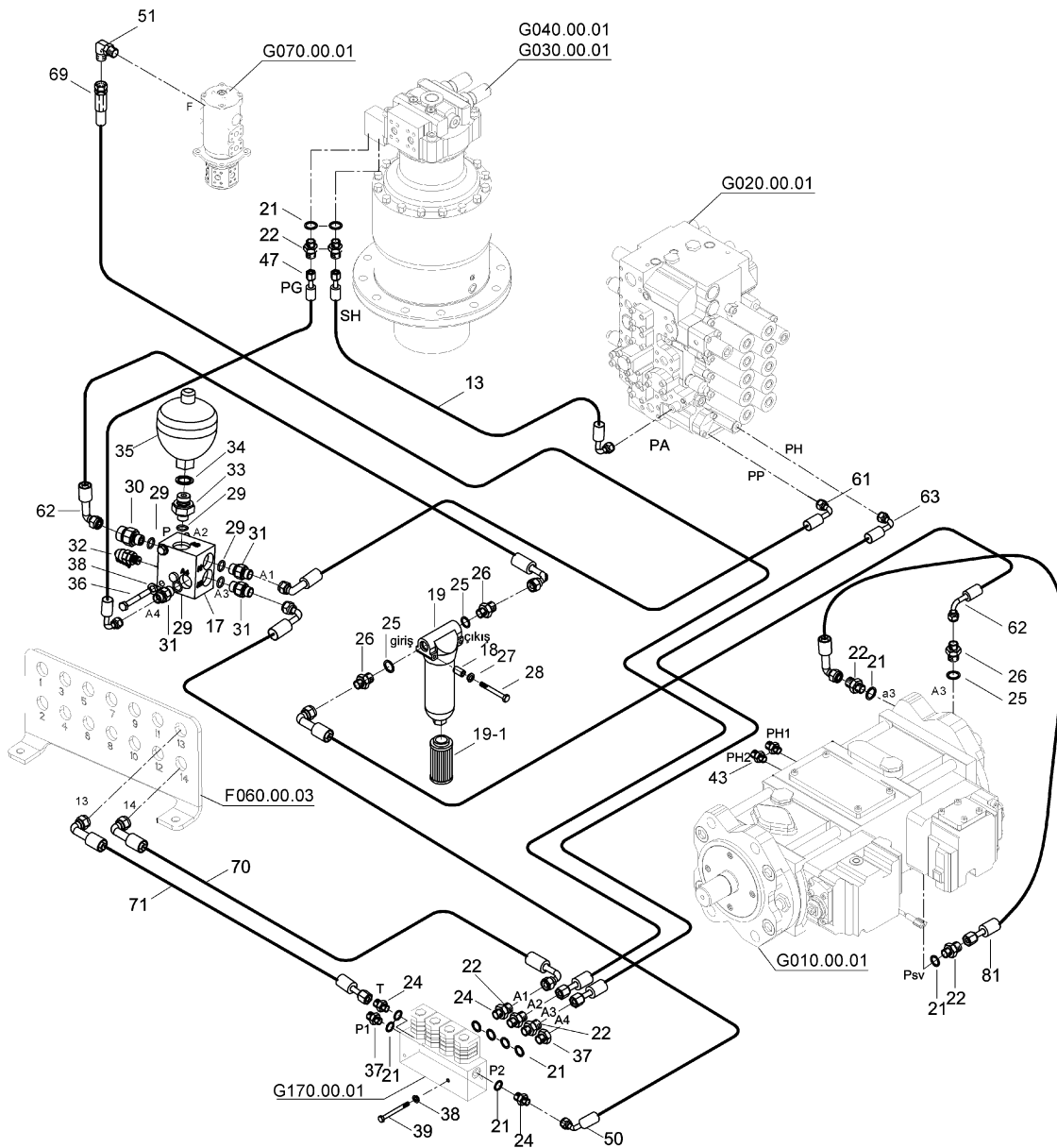
**PİLOT HİDROLİĞİ TESİSATI, ANA (1)**  
**PILOT HYD. PIPING, BASE (1)**



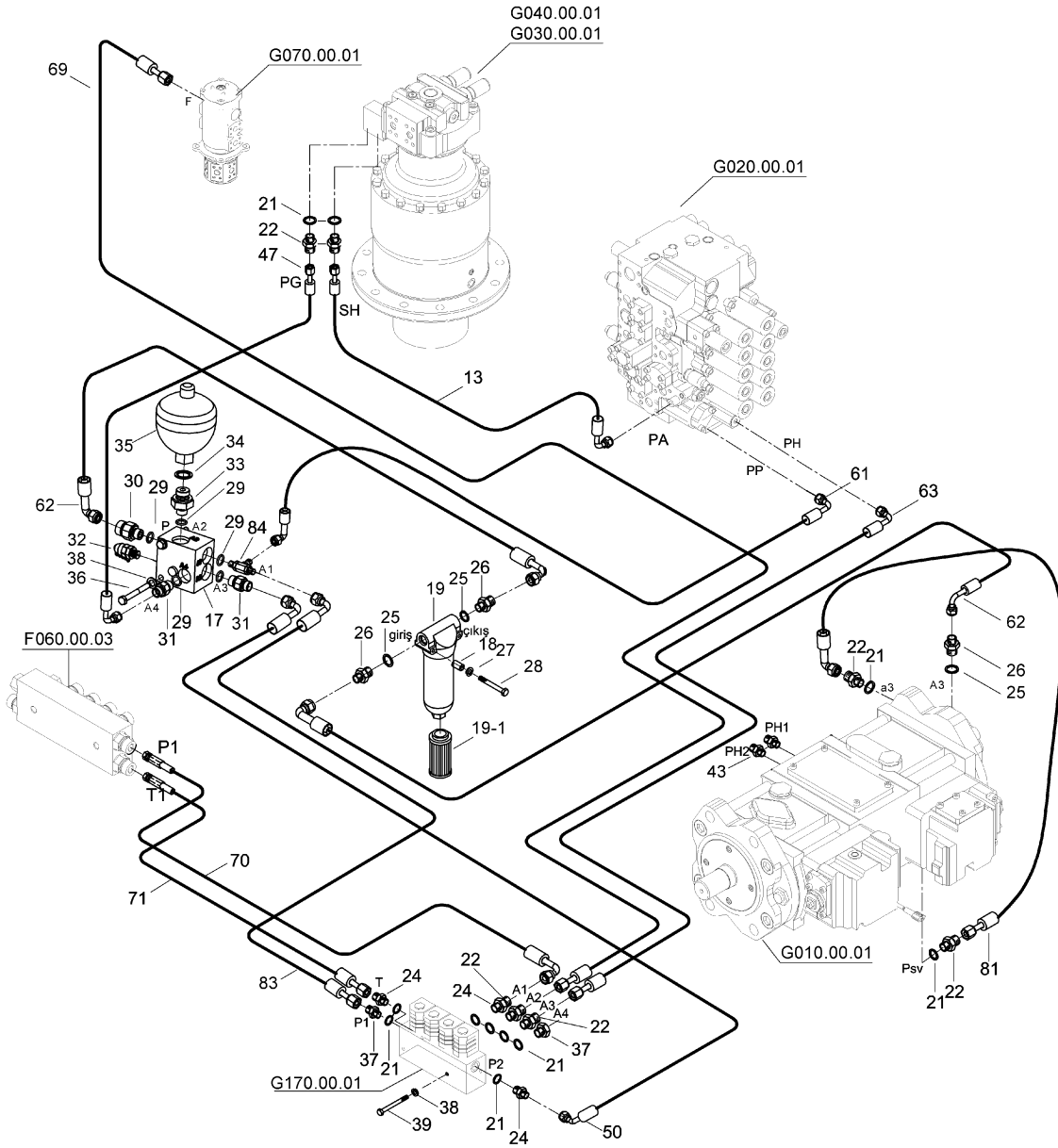
**PILOT HİDROLİĞİ TESİSATI, ANA (1)**  
**PILOT HYD. PIPING, BASE (1)**



**PILOT HİDROLİĞİ TESİSATI, ANA (2)**  
**PILOT HYD. PIPING, BASE (2)**

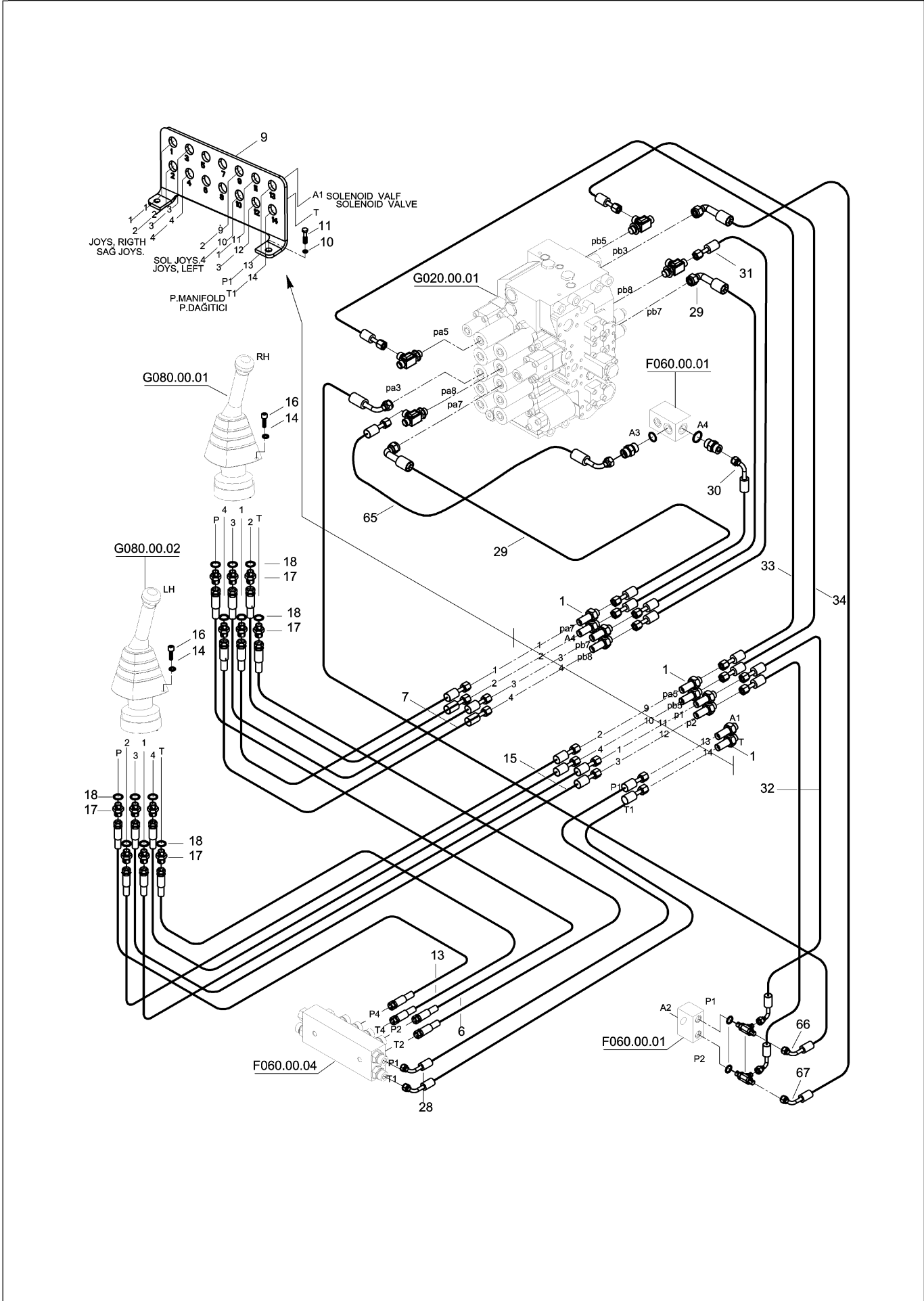


PİLOT HİDROLİĞİ TESİSATI, ANA (2)  
 PILOT HYD. PIPING, BASE (2)

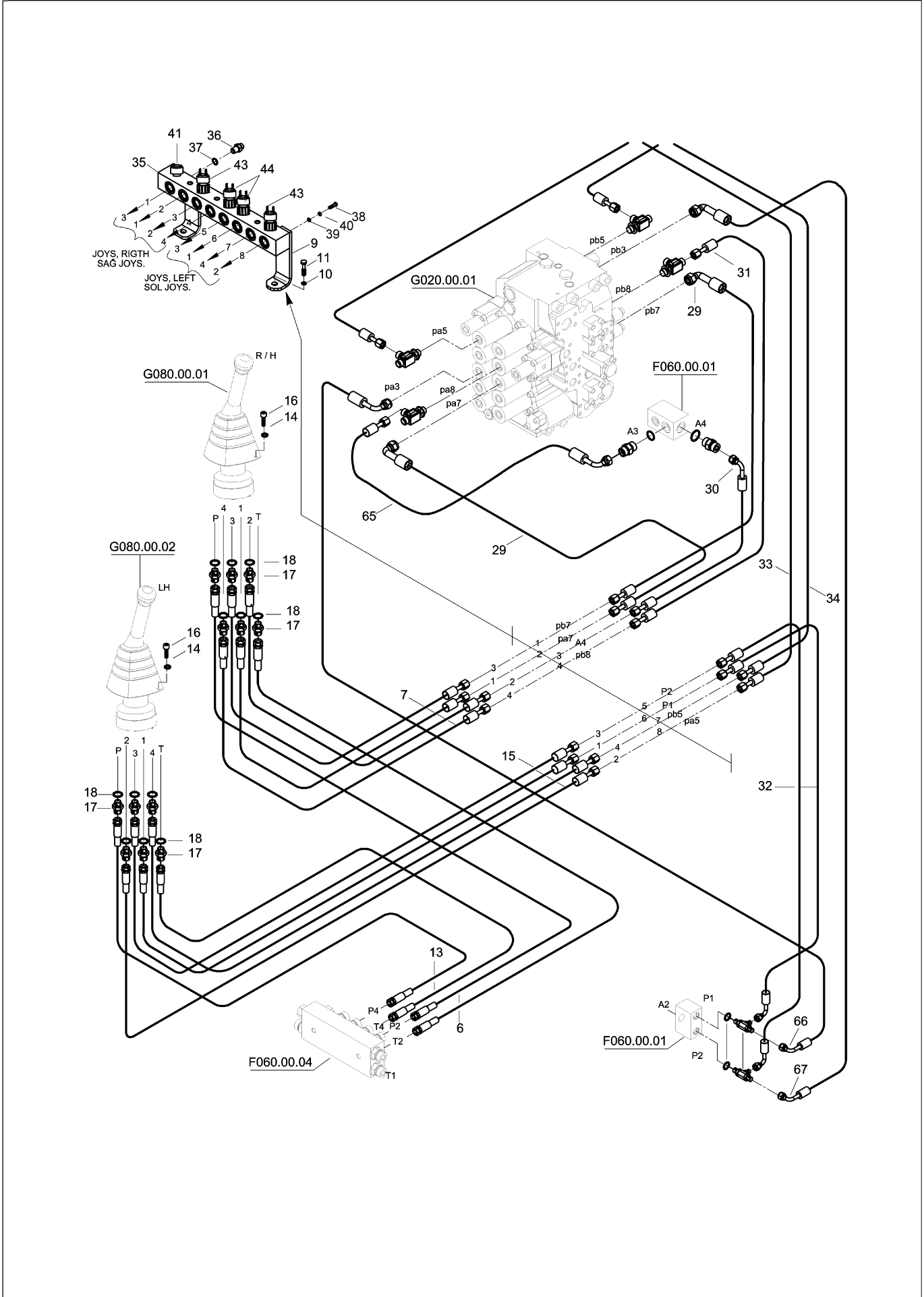




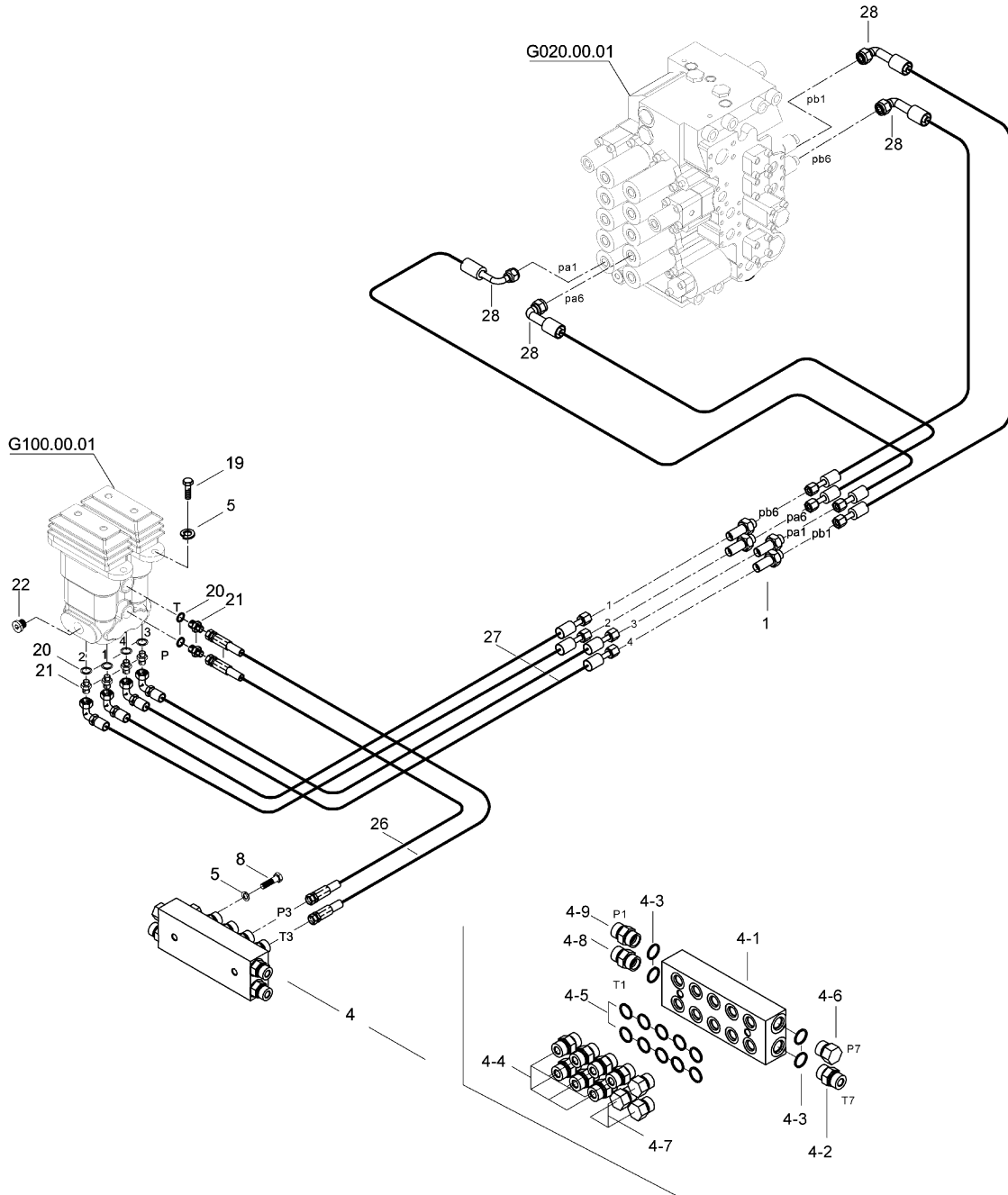
### PİLOT HİDROLİĞİ TESİSATI, ATAŞMAN (1) PILOT HYD. PIPING, ATTACHMENT (1)



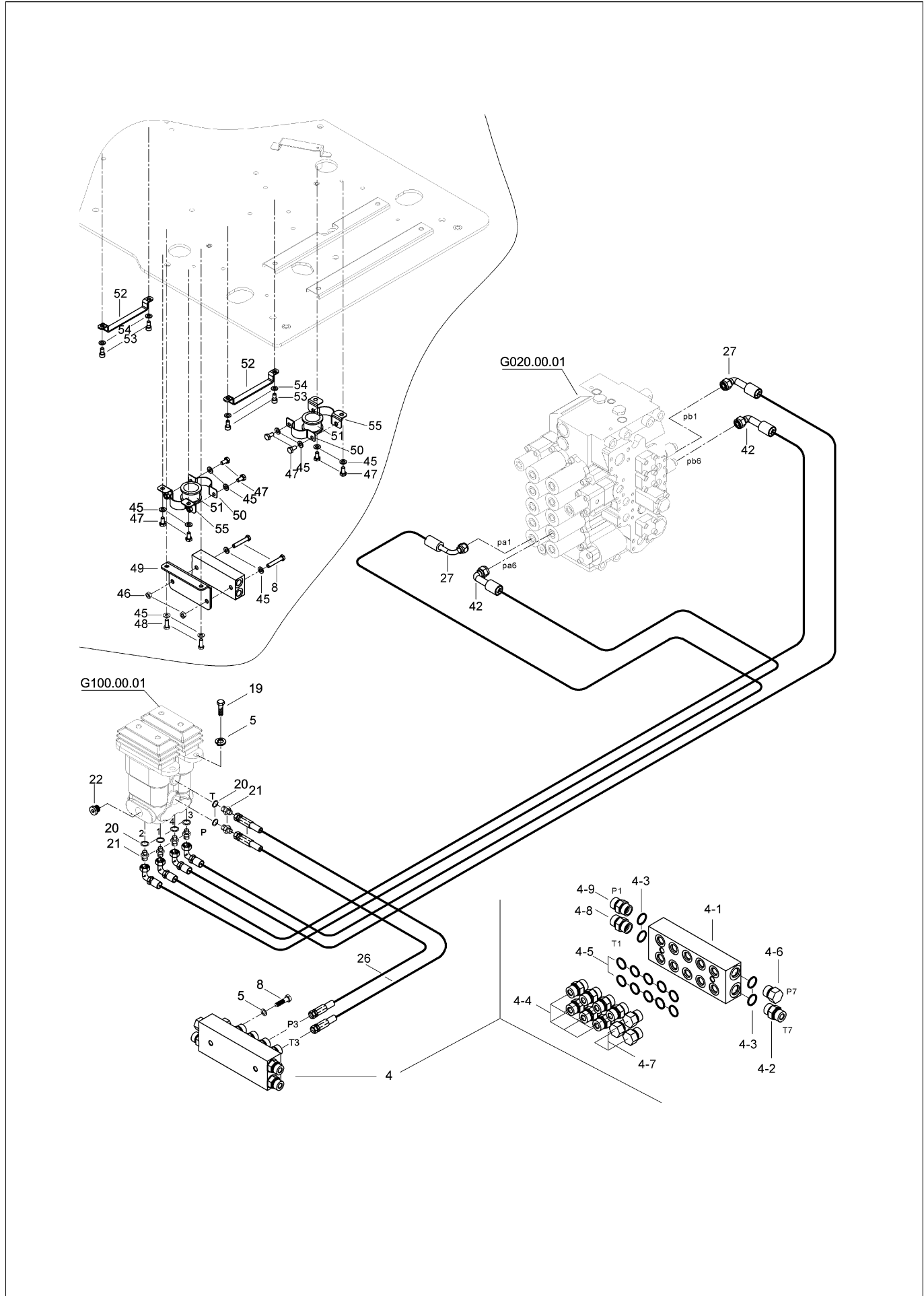
### PİLOT HİDROLİĞİ TESİSATI, ATAŞMAN (1) PILOT HYD. PIPING, ATTACHMENT (1)



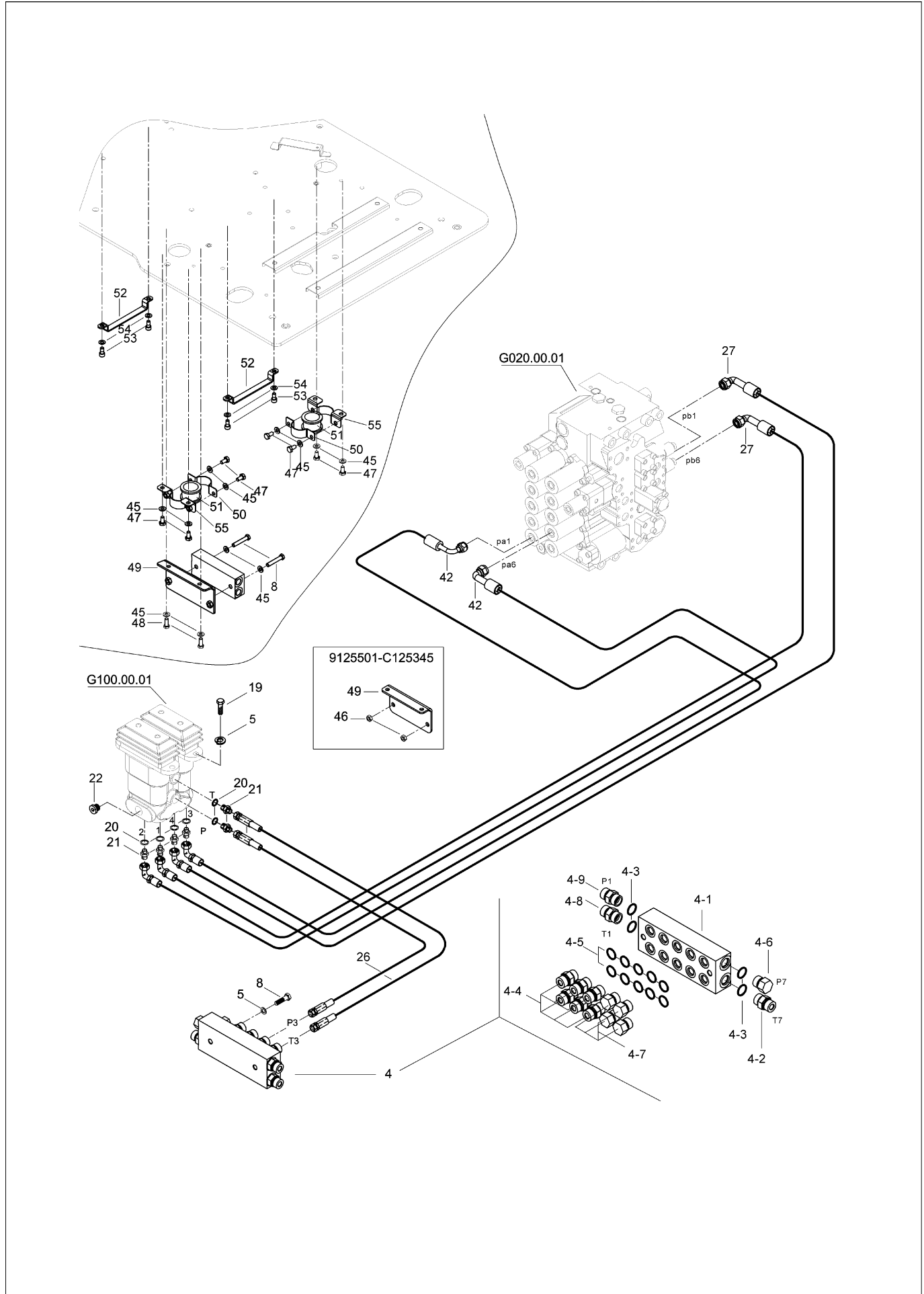
PİLOT HİDROLİĞİ TESİSATI, ATAŞMAN (2)  
 PILOT HYD. PIPING, ATTACHMENT (2)



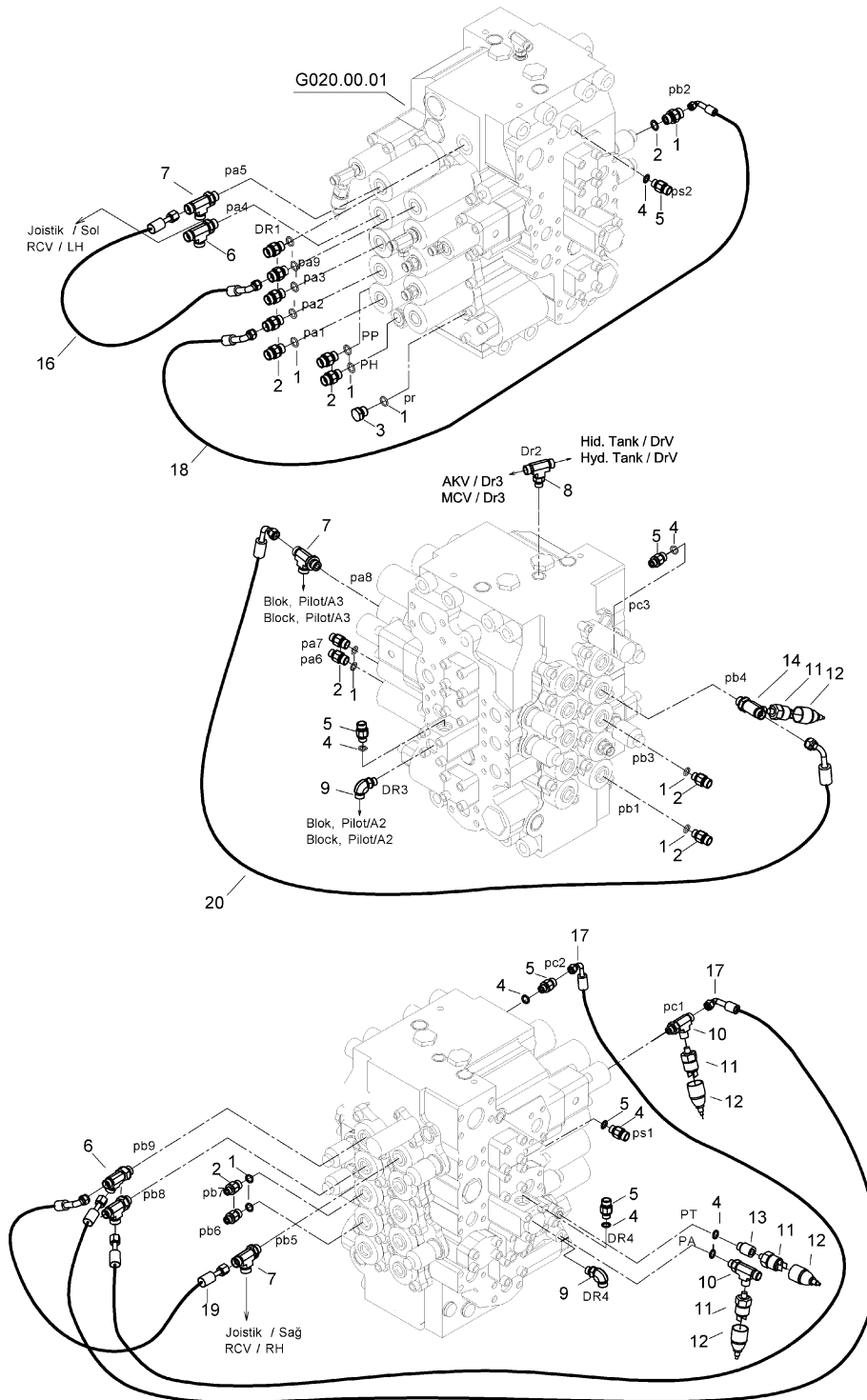
**PİLOT HİDROLİĞİ TESİSATI, ATAŞMAN (2)**  
**PILOT HYD. PIPING, ATTACHMENT (2)**



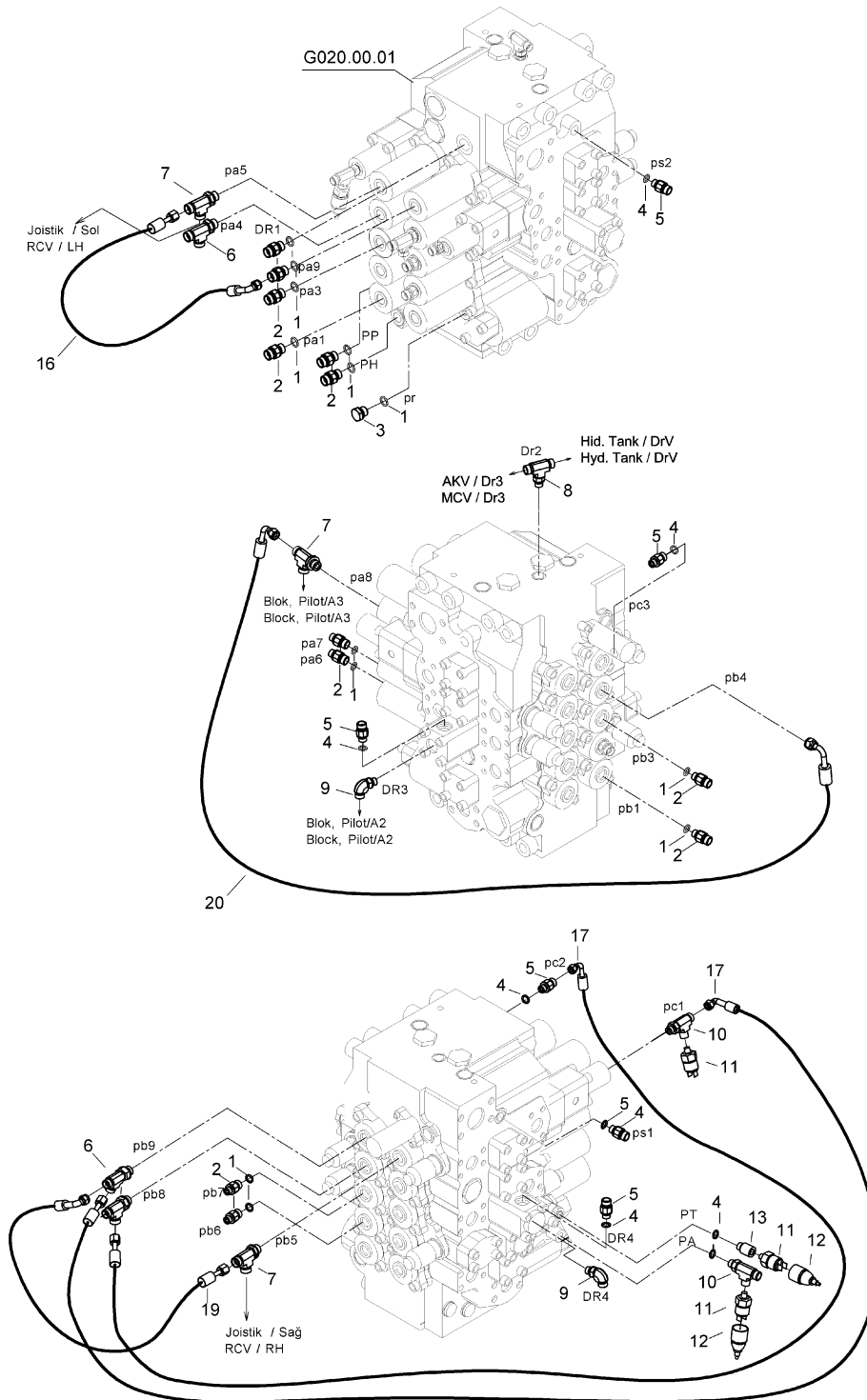
**PİLOT HİDROLİĞİ TESİSATI, ATAŞMAN (2)**  
**PILOT HYD. PIPING, ATTACHMENT (2)**



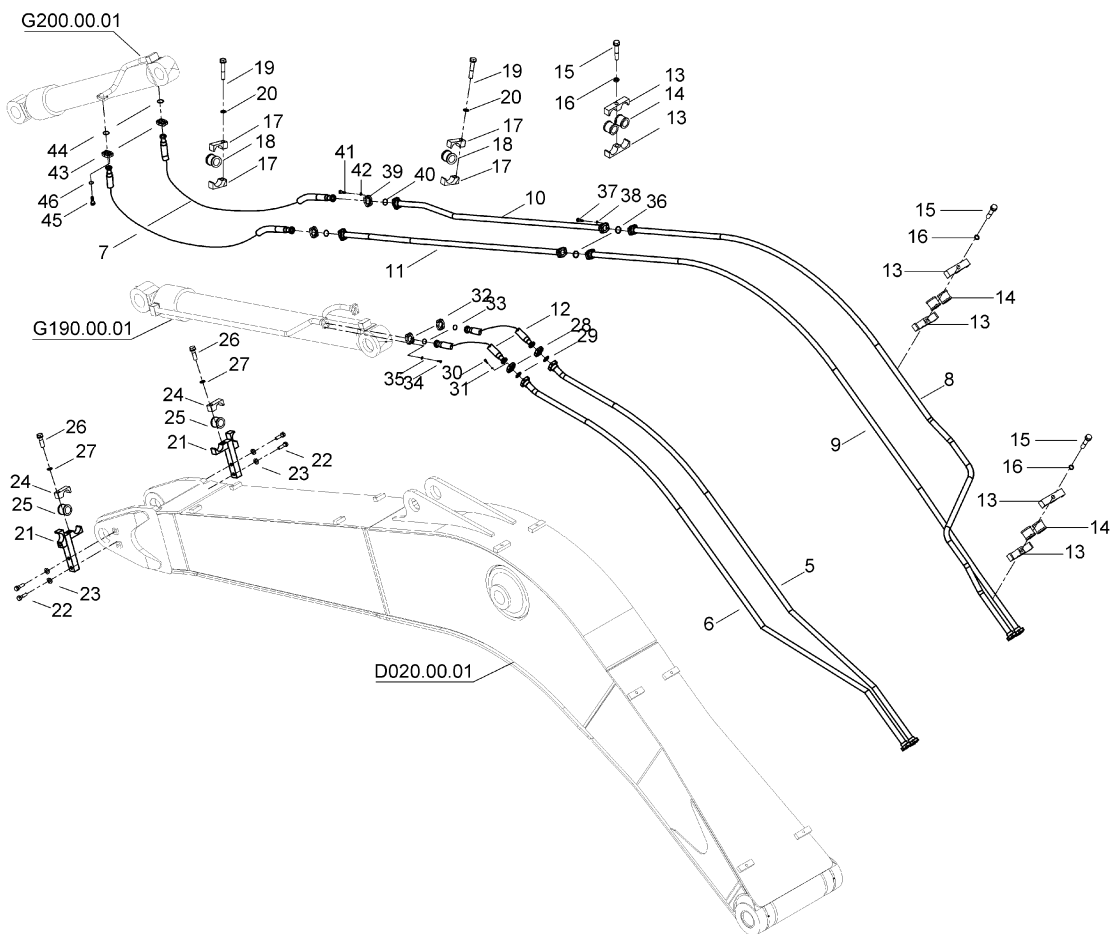
**PILOT HİDROLİĞİ TESİSATI, AKV  
PILOT HYD. PIPING, MCV**



**PILOT HİDROLİĞİ TESİSATI, AKV  
PILOT HYD. PIPING, MCV**

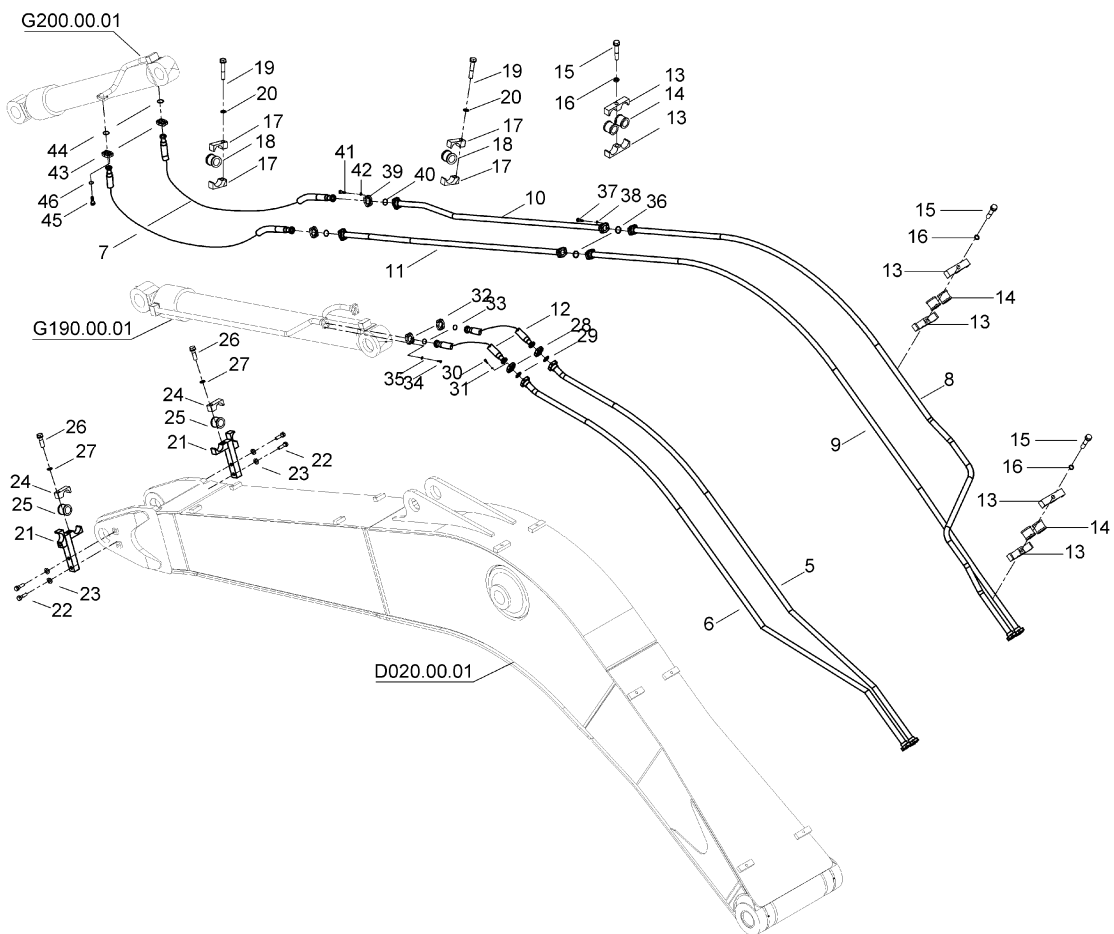


### ATAŞMAN TESİSATI (2.5m) ATTACHMENT PIPING (2.5m)

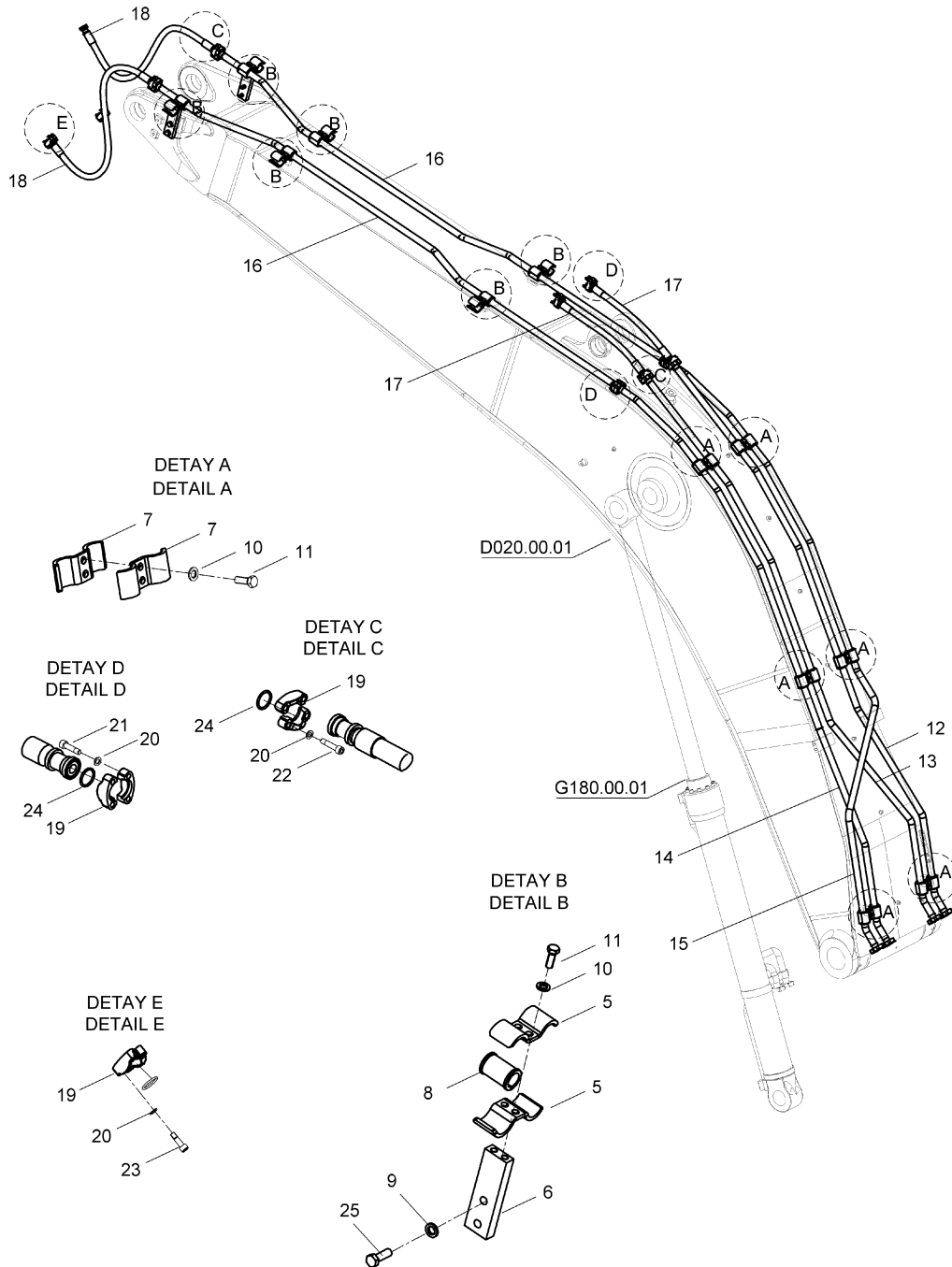




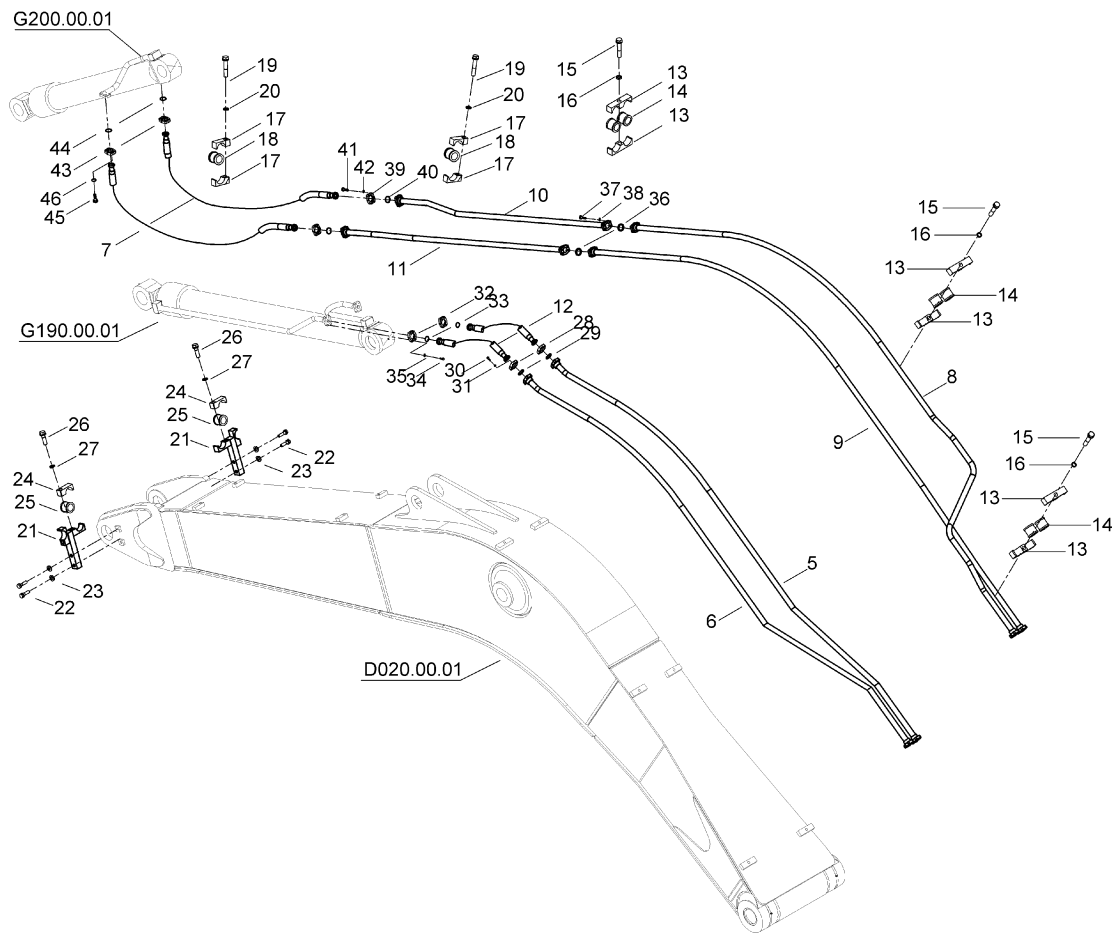
### ATAŞMAN TESİSATI (2.5m) ATTACHMENT PIPING (2.5m)



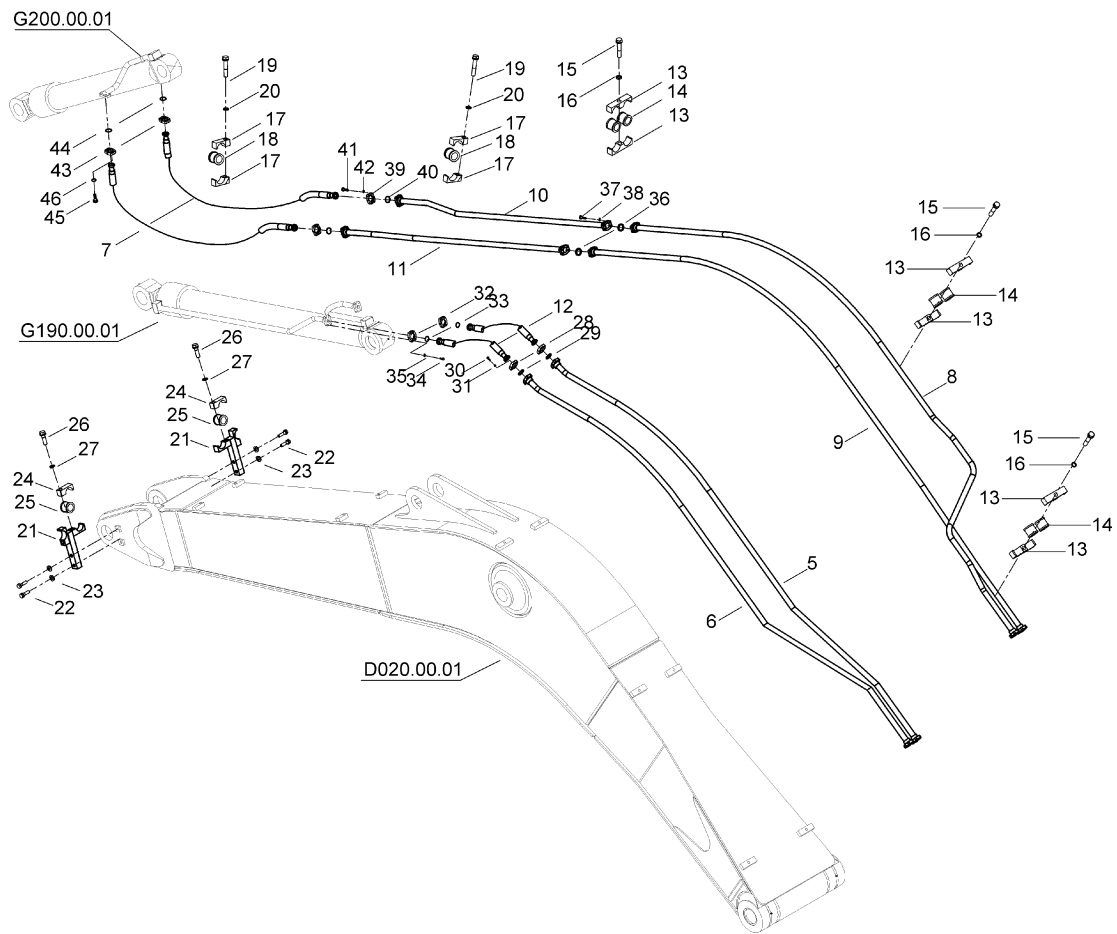
### ATAŞMAN TESİSATI (2.5m) ATTACHMENT PIPING (2.5m)



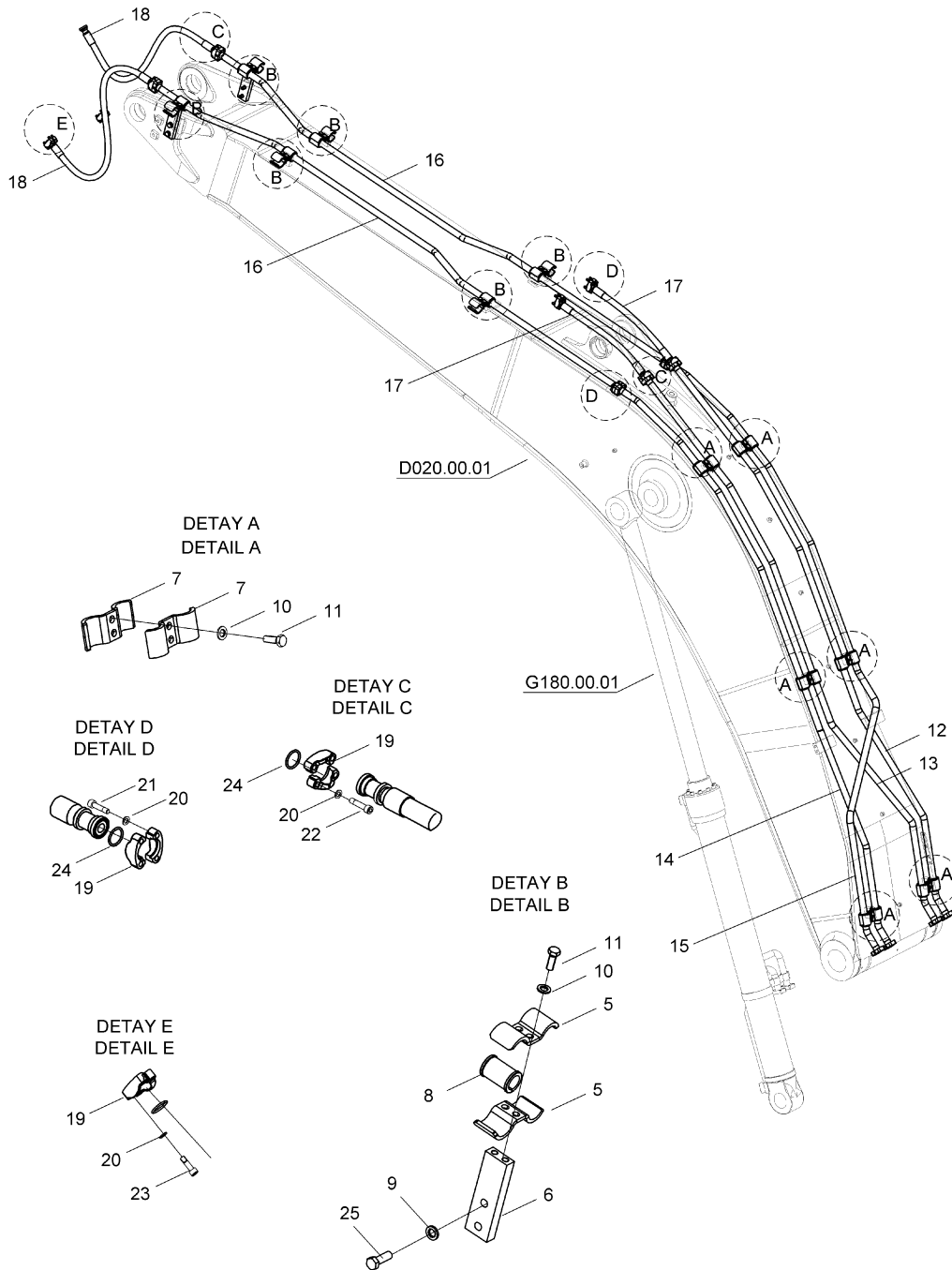
### ATAŞMAN TESİSATI (3.07m) ATTACHMENT PIPING (3.07m)



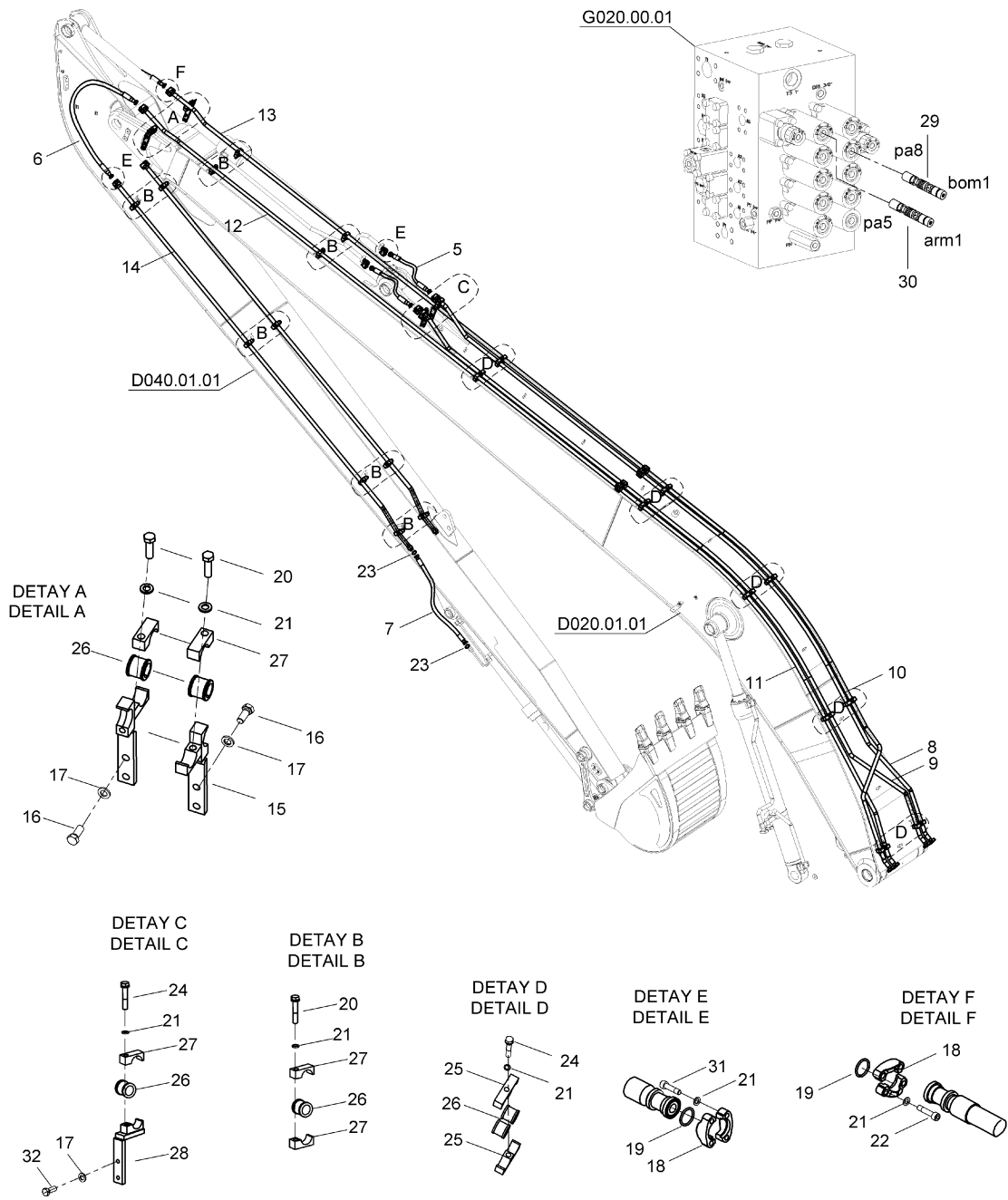
### ATAŞMAN TESİSATI (3.07m) ATTACHMENT PIPING (3.07m)



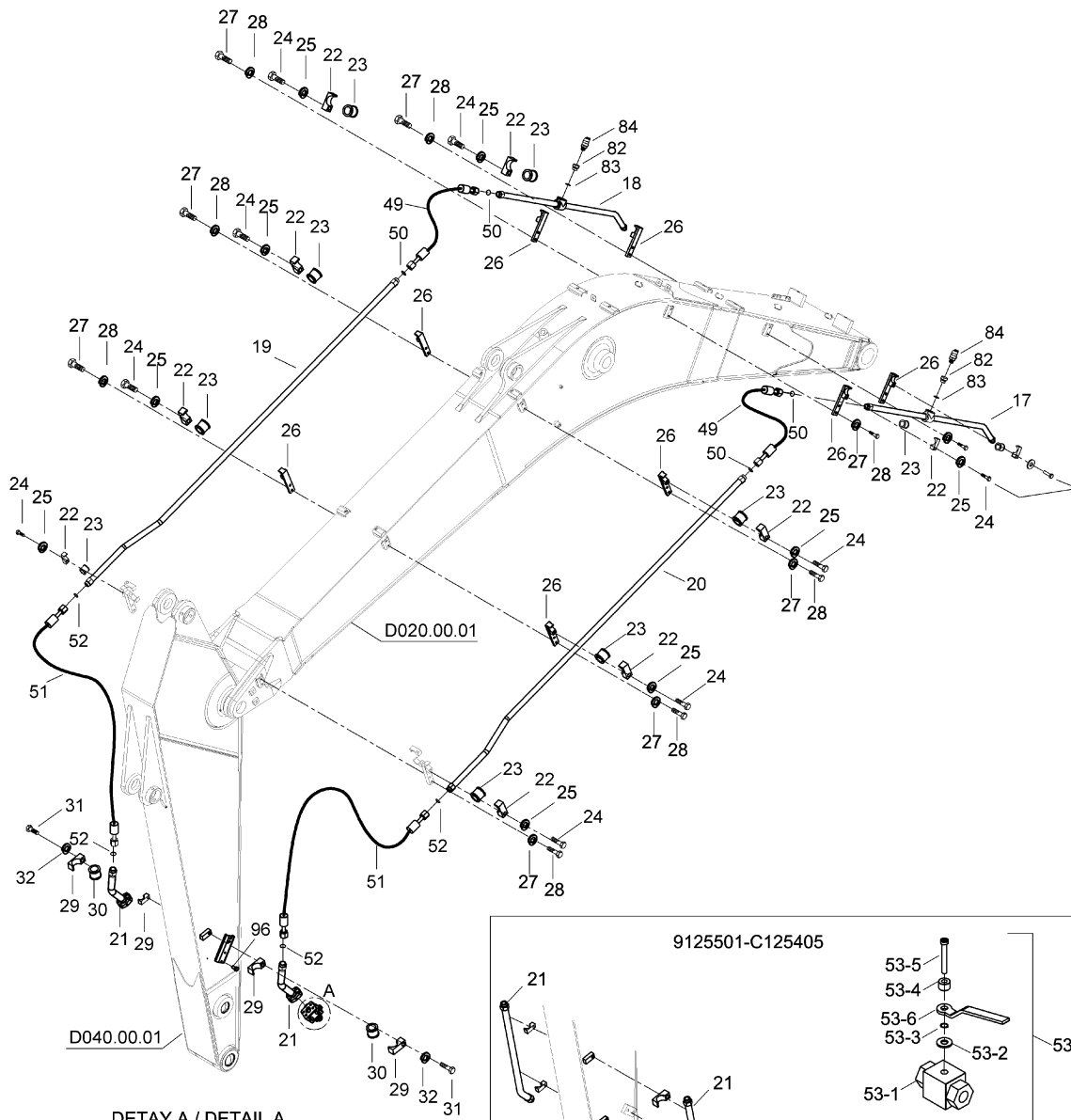
### ATAŞMAN TESİSATI (3.07m) ATTACHMENT PIPING (3.07m)



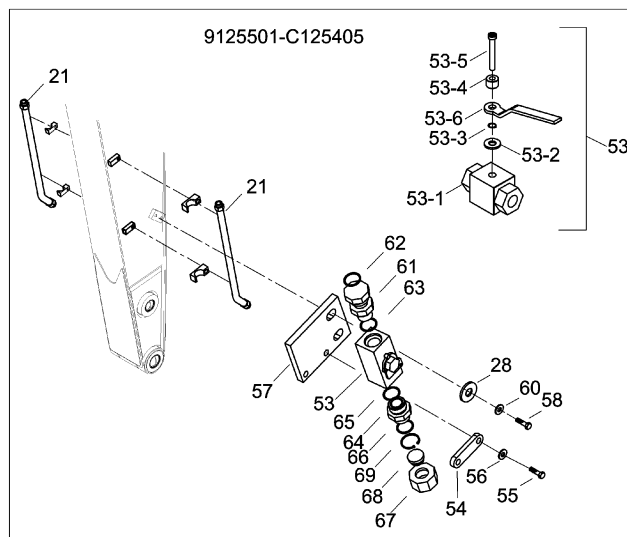
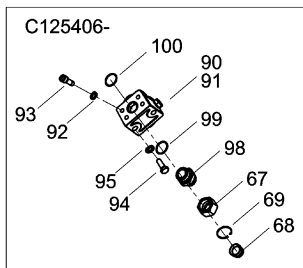
**ATAŞMAN TESİSATI (7.8m, LR)**  
**ATTACHMENT PIPING (7.8m, LR)**



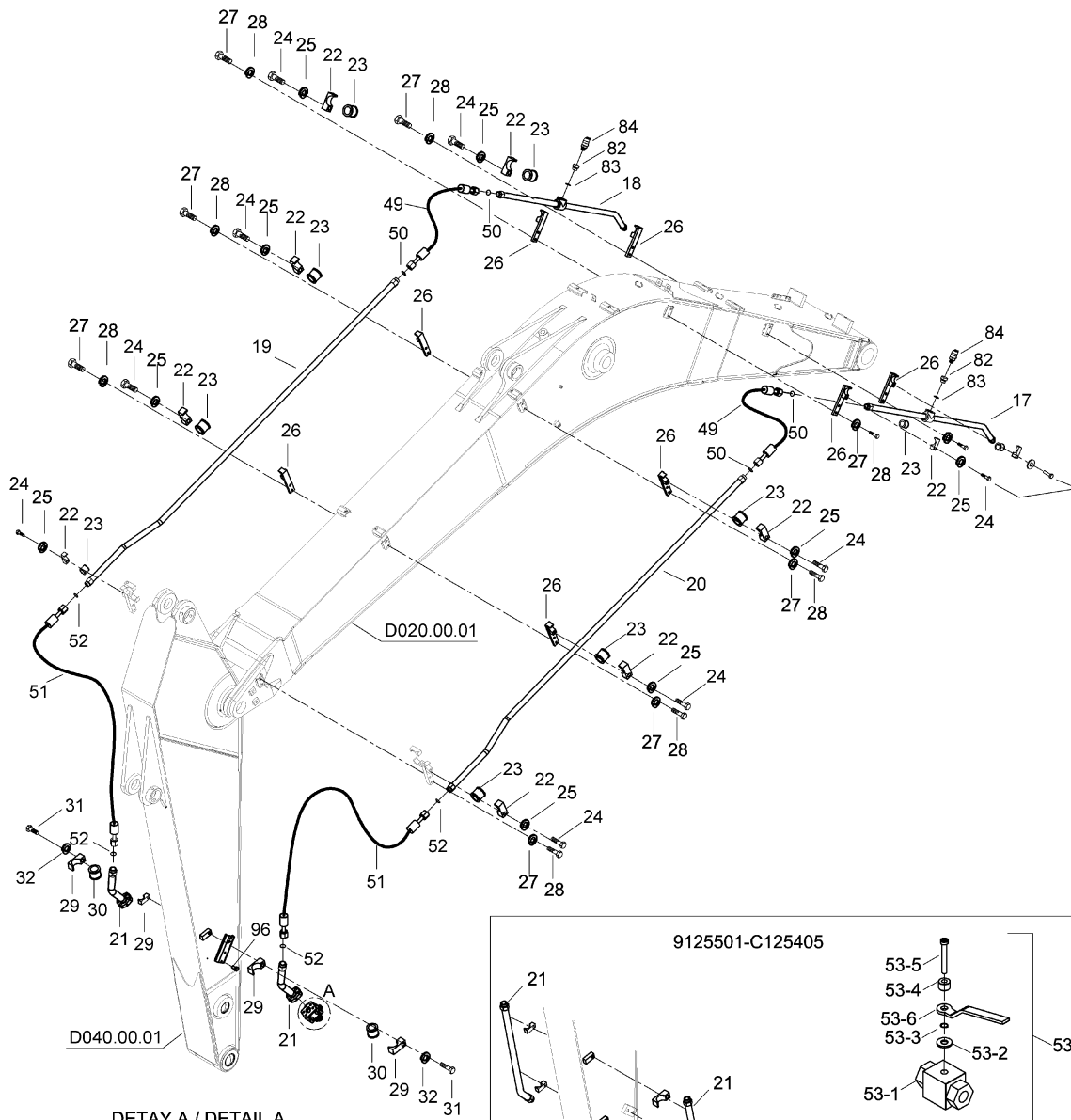
**TEK ETKİLİ HİDROLİK TESİSATI 1 (2.5m, OP)**  
**SINGLE ACTING HYD. PIPING 1 (2.5m, OP)**



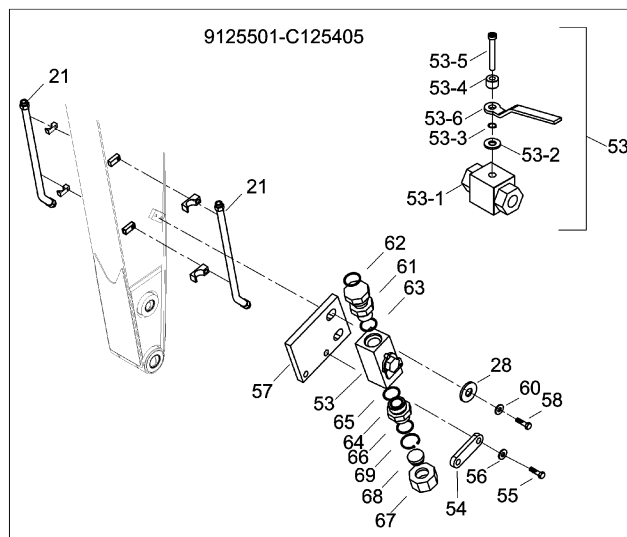
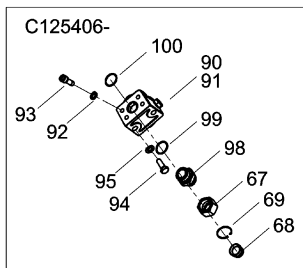
DETAY A / DETAIL A



**TEK ETKİLİ HİDROLİK TESİSATI 1 (2.5m, OP)**  
**SINGLE ACTING HYD. PIPING 1 (2.5m, OP)**

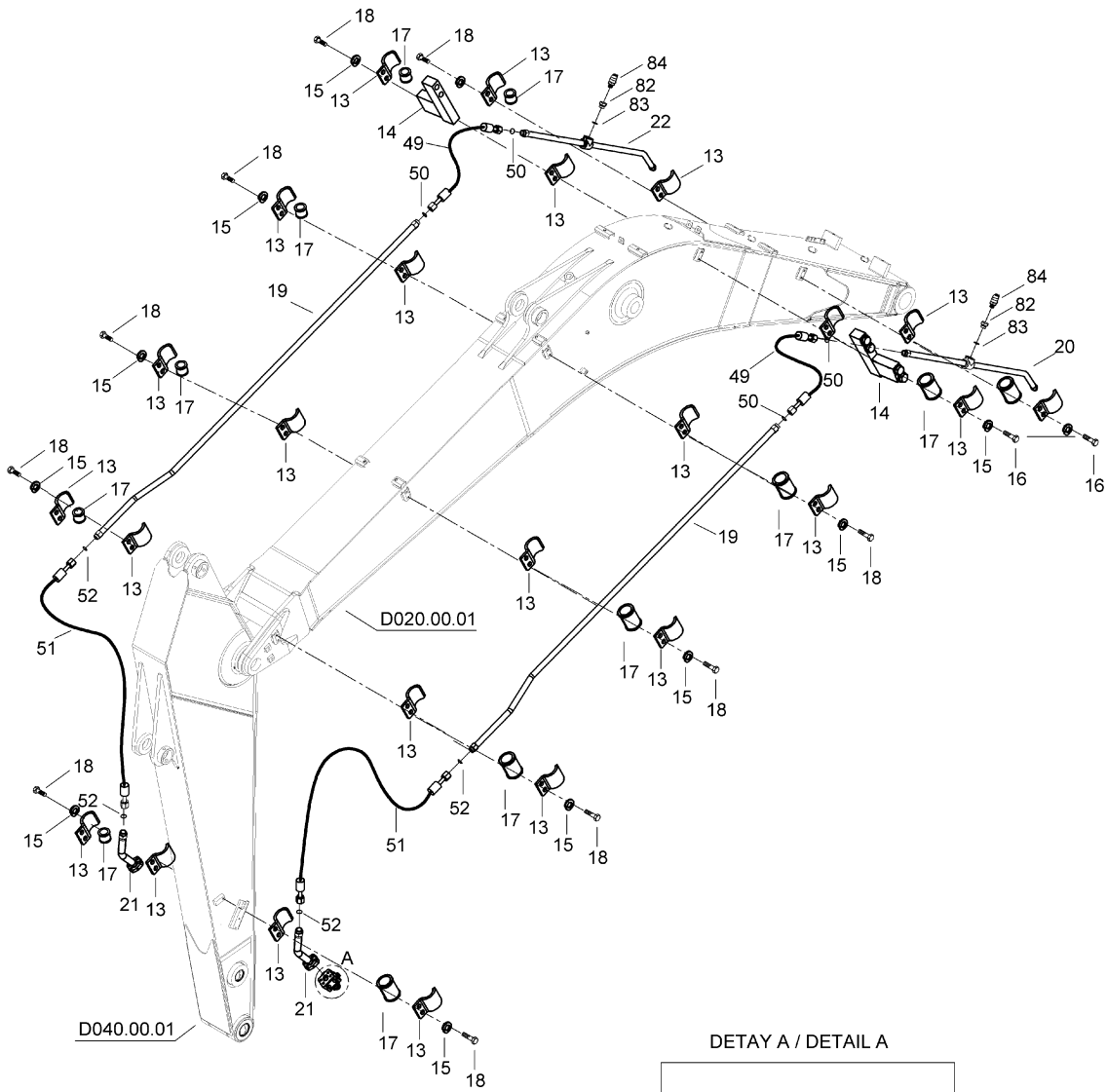


DETAY A / DETAIL A

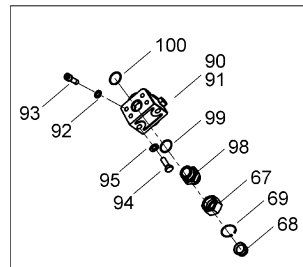




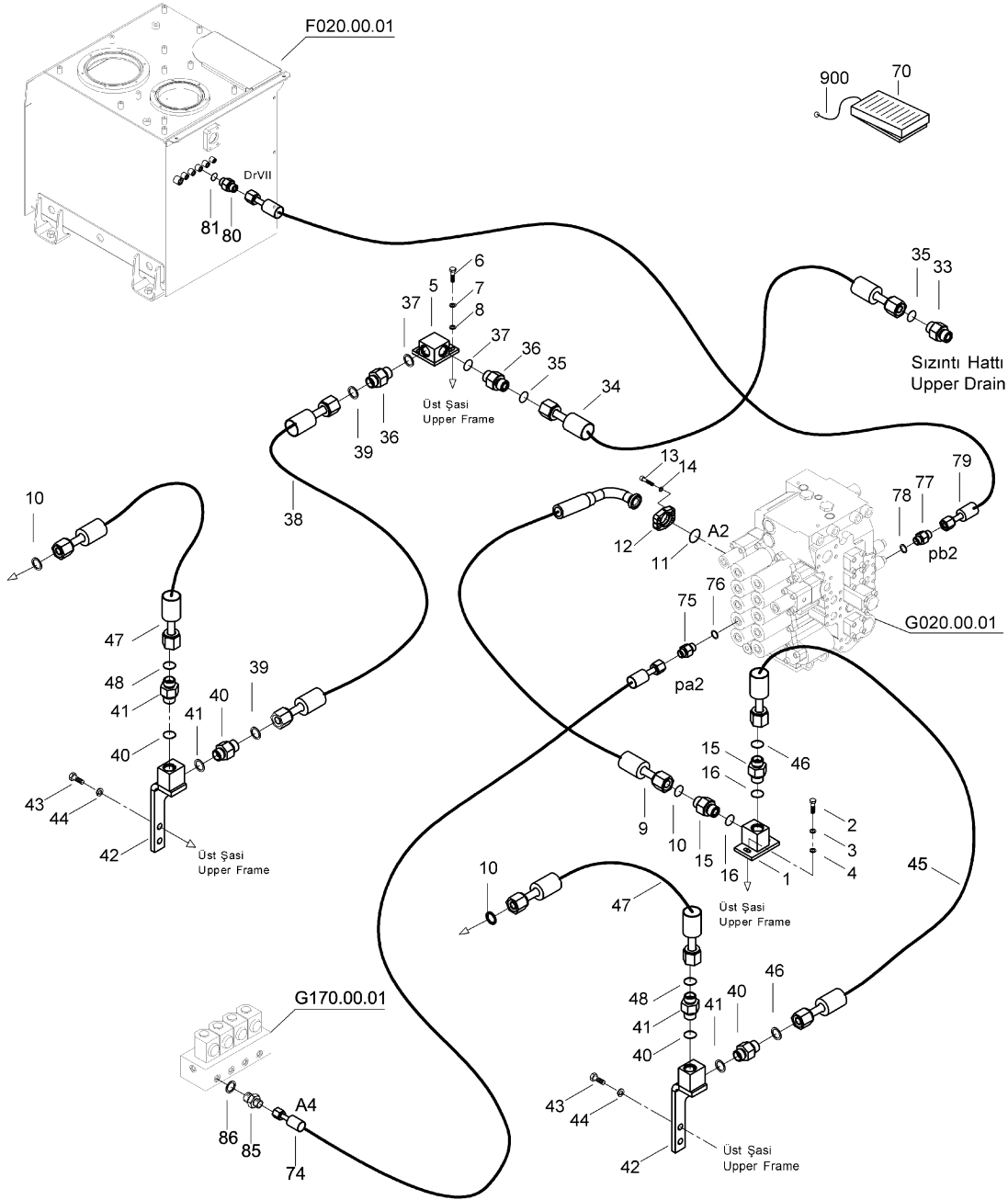
**TEK ETKİLİ HİDROLİK TESİSATI 1 (2.5m, OP)**  
**SINGLE ACTING HYD. PIPING 1 (2.5m, OP)**



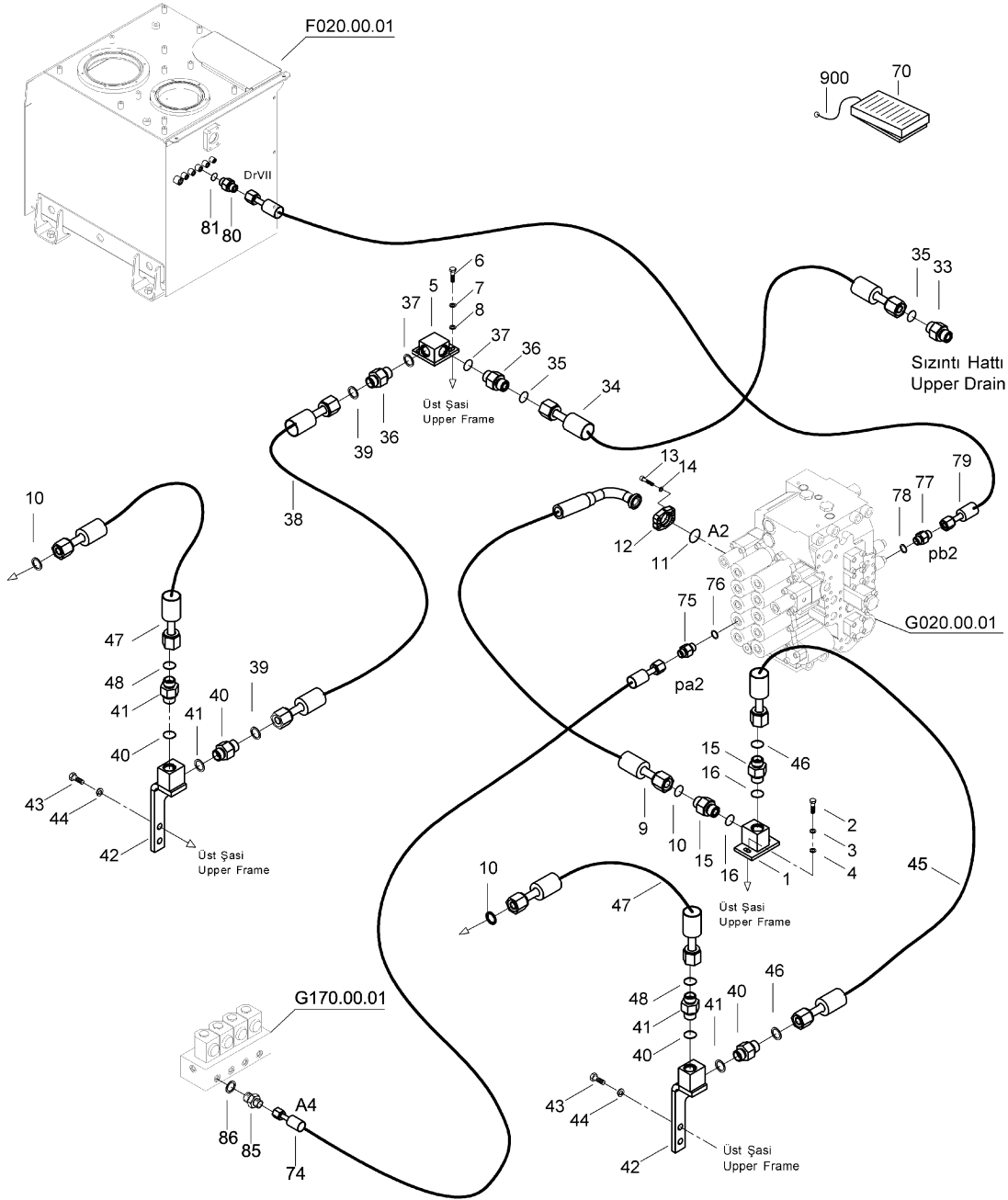
DETAY A / DETAIL A



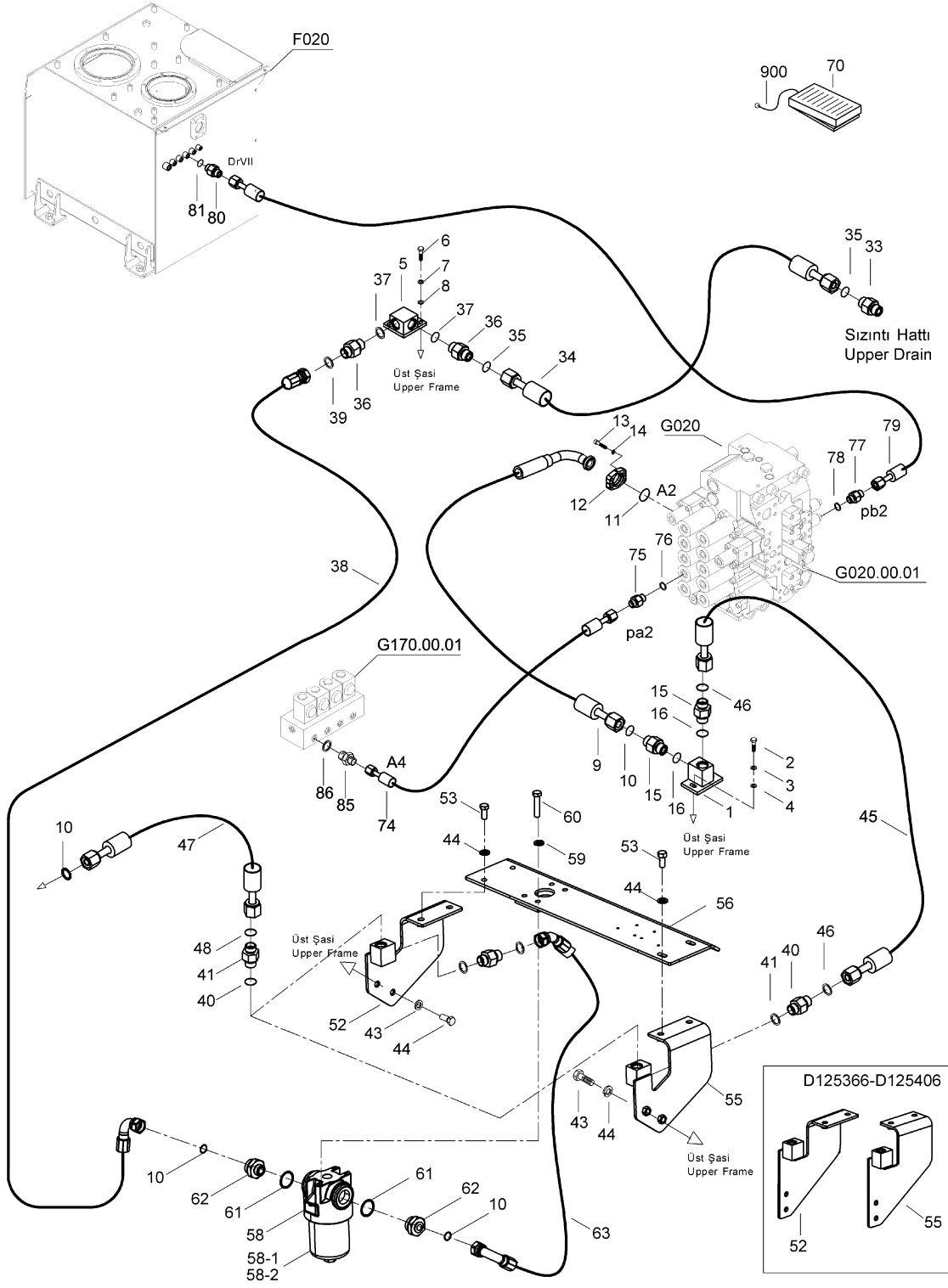
**TEK ETKİLİ HİDROLİK TESİSATI 2 (2.5m, OP)**  
**SINGLE ACTING HYD. PIPING 2 (2.5m, OP)**



**TEK ETKİLİ HİDROLİK TESİSATI 2 (2.5m, OP)**  
**SINGLE ACTING HYD. PIPING 2 (2.5m, OP)**

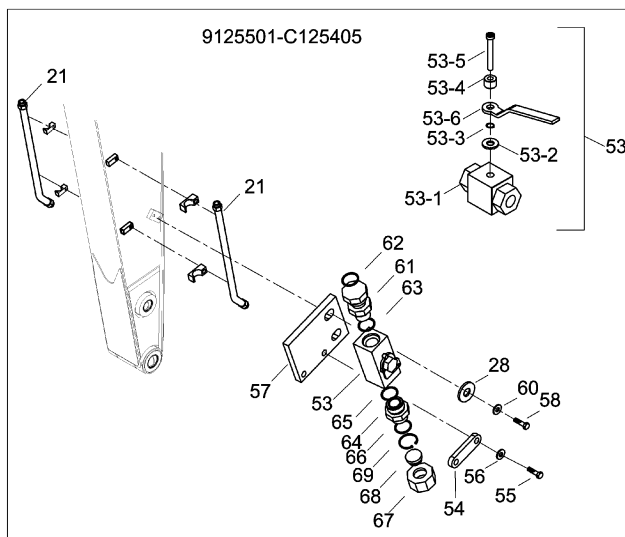
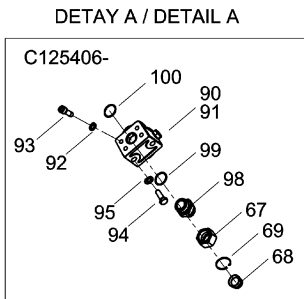
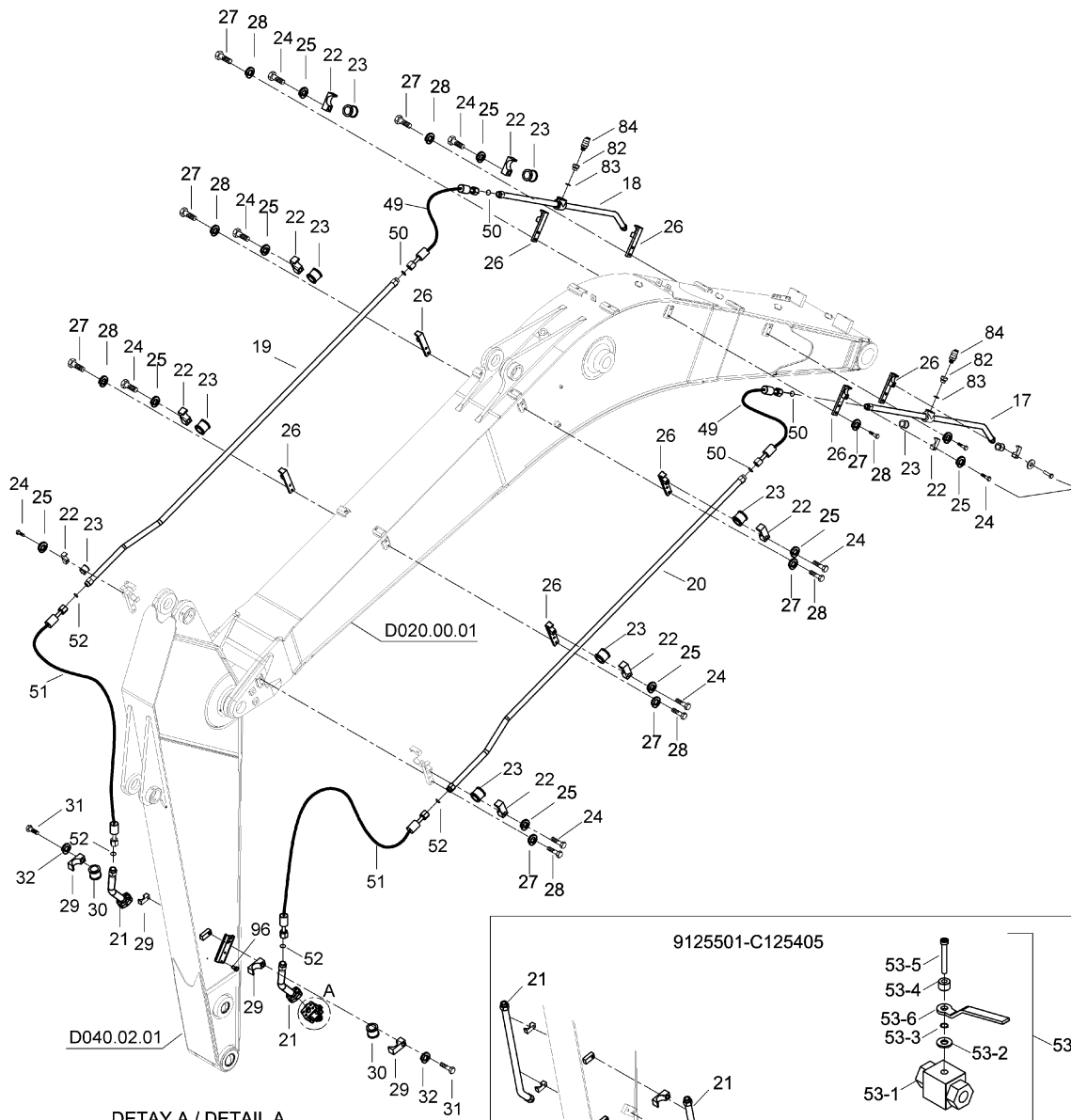


**TEK ETKİLİ HİDROLİK TESİSATI 2 (2.5m, OP)**  
**SINGLE ACTING HYD. PIPING 2 (2.5m, OP)**

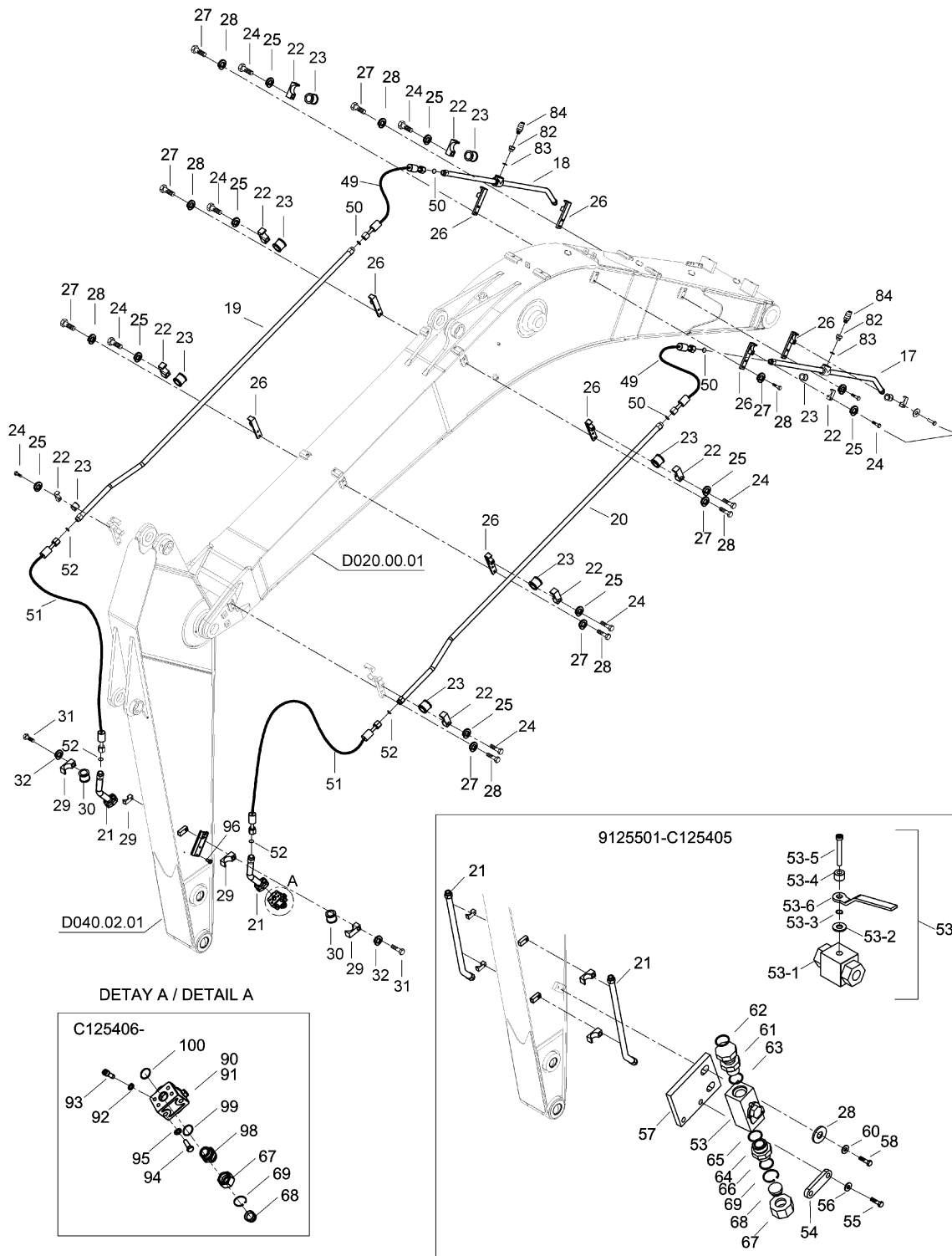




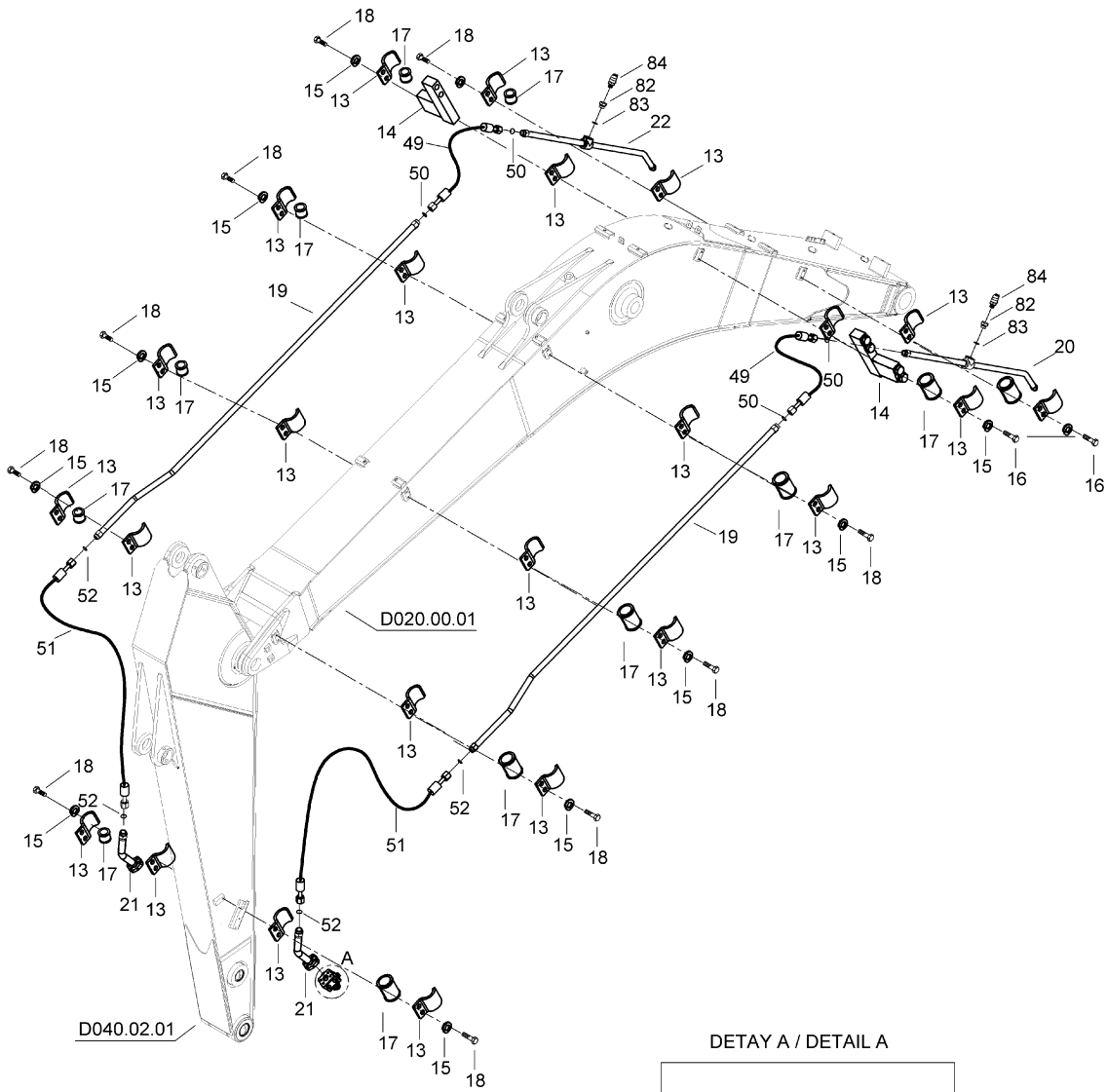
**TEK ETKİLİ HİDROLİK TESİSATI 1 (3.07m, OP)**  
**SINGLE ACTING HYD. PIPING 1 (3.07m, OP)**



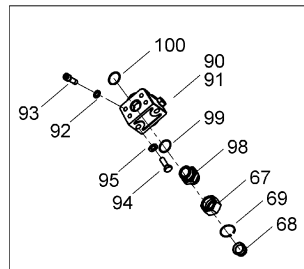
**TEK ETKİLİ HİDROLİK TESİSATI 1 (3.07m, OP)**  
**SINGLE ACTING HYD. PIPING 1 (3.07m, OP)**



### TEK ETKİLİ HİDROLİK TESİSATI 1 (3.07m, OP) SINGLE ACTING HYD. PIPING 1 (3.07m, OP)

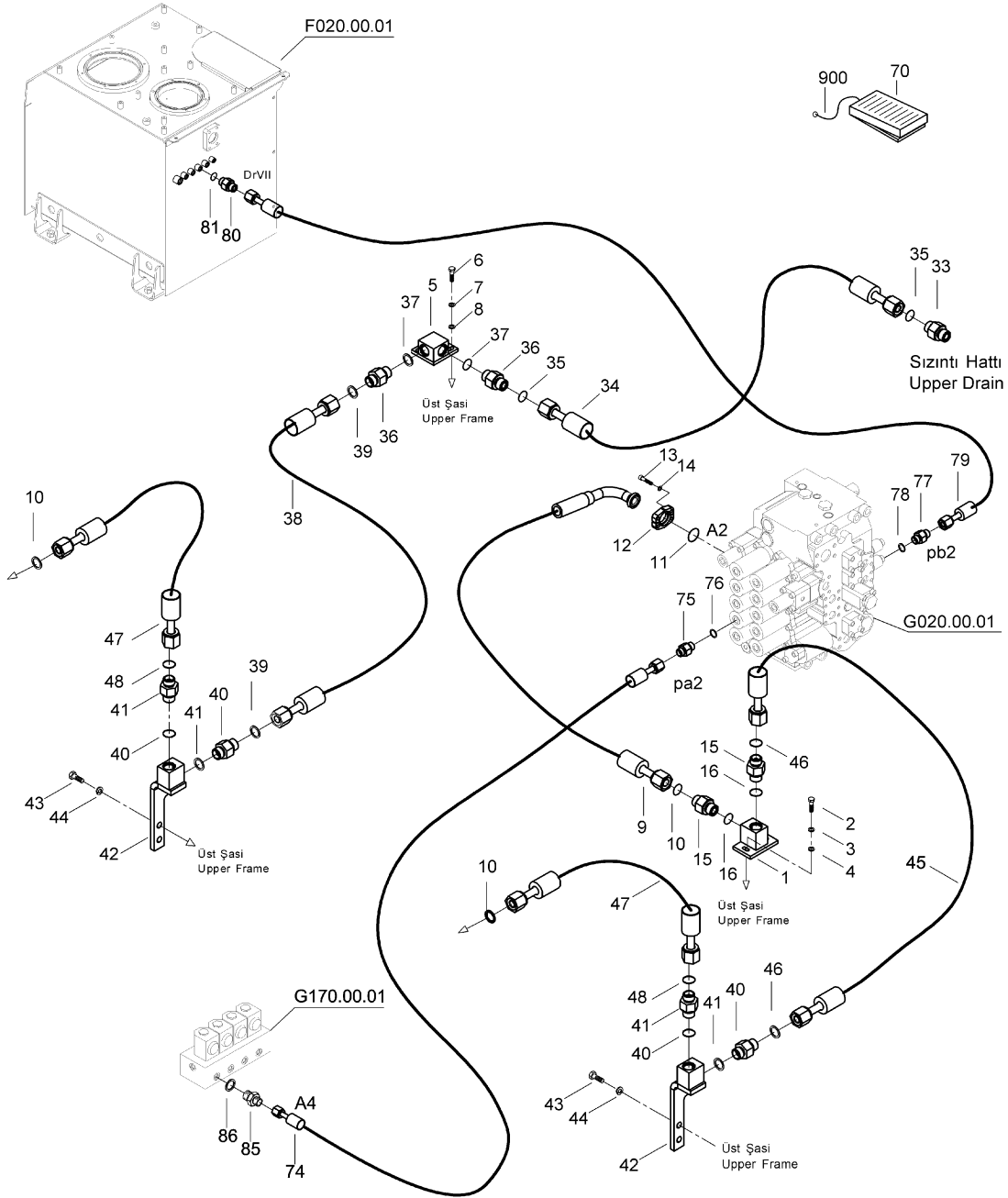


DETAY A / DETAIL A

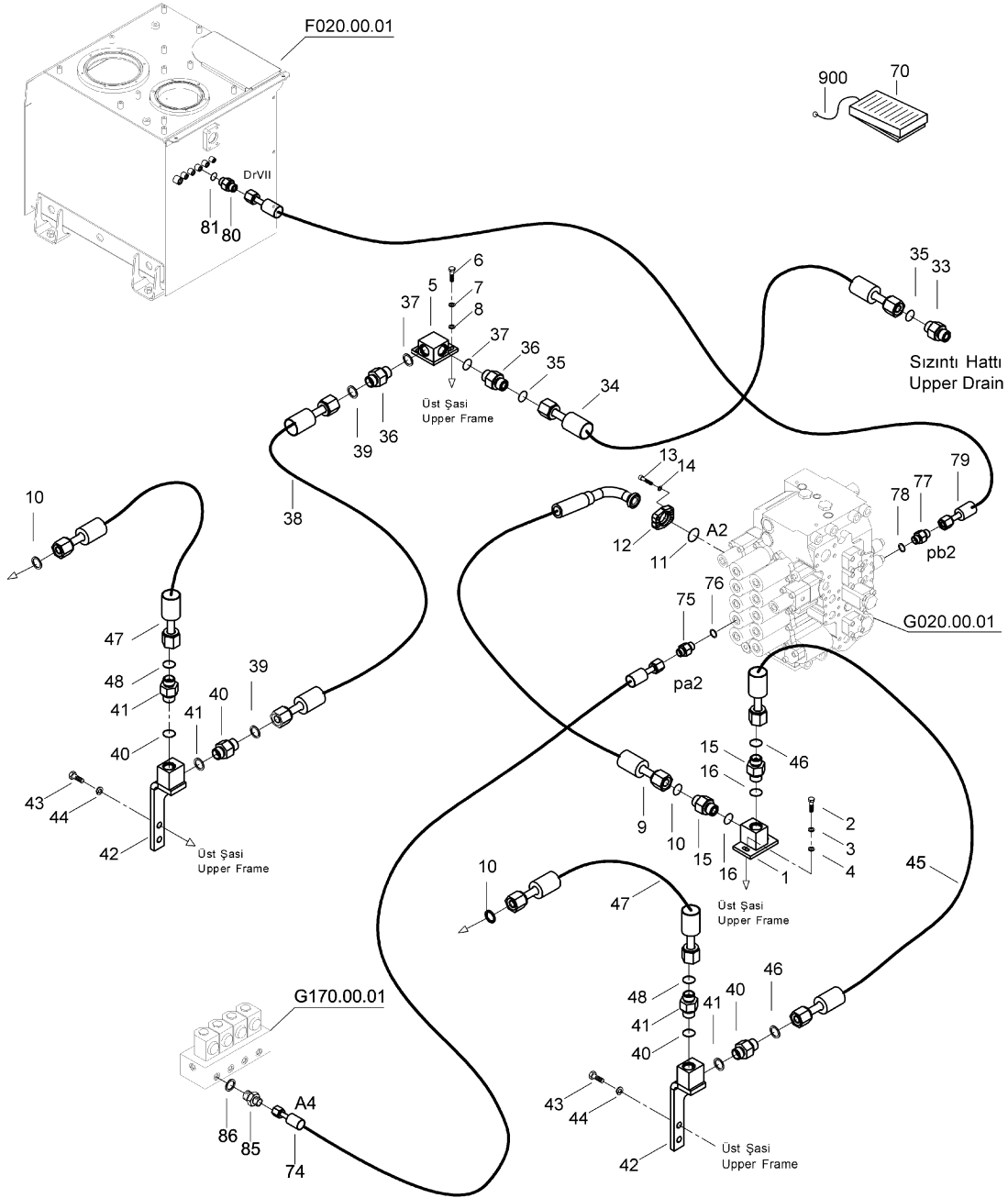




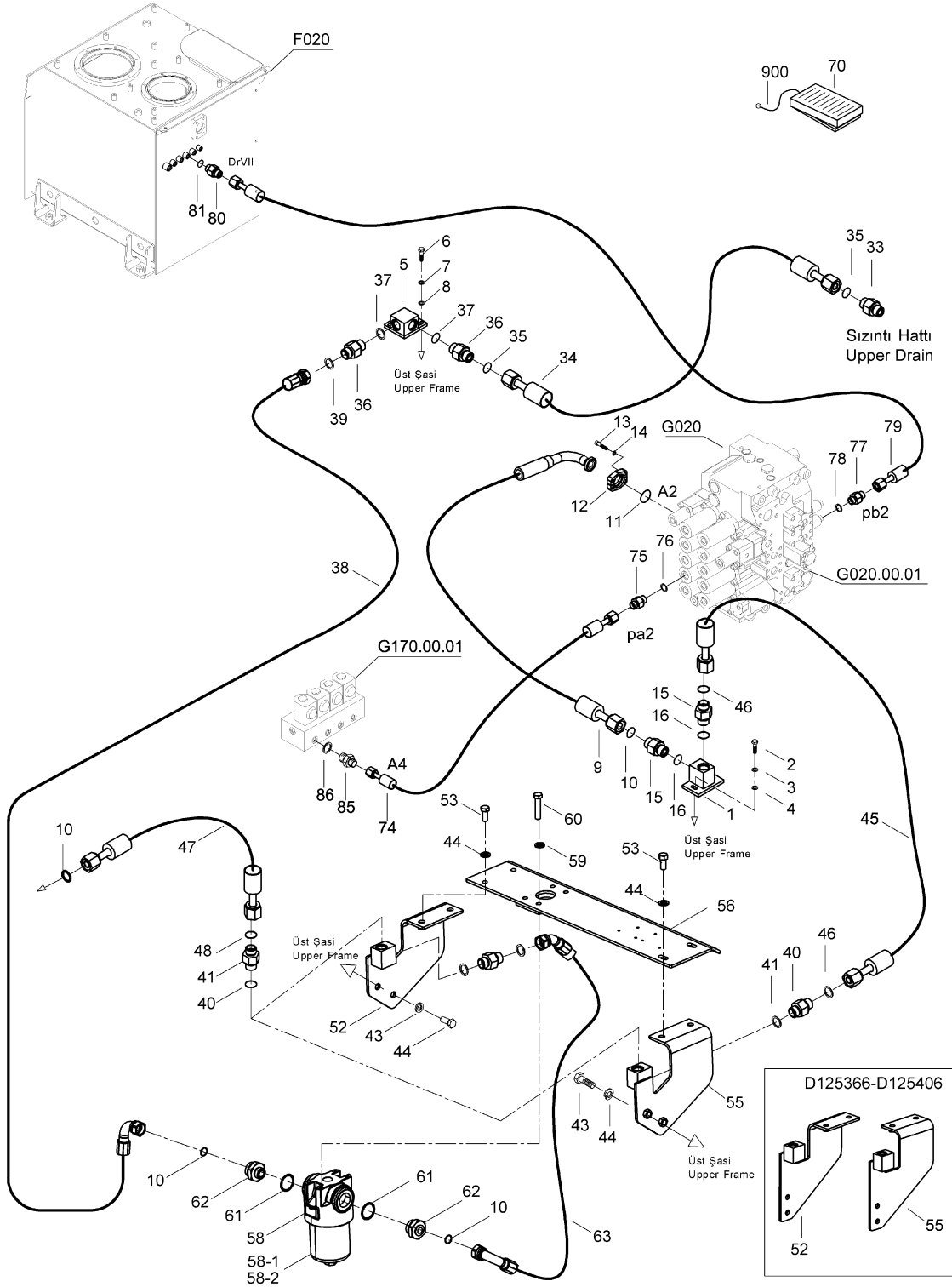
**TEK ETKİLİ HİDROLİK TESİSATI 2 (3.07m, OP)**  
**SINGLE ACTING HYD. PIPING 2 (3.07m, OP)**



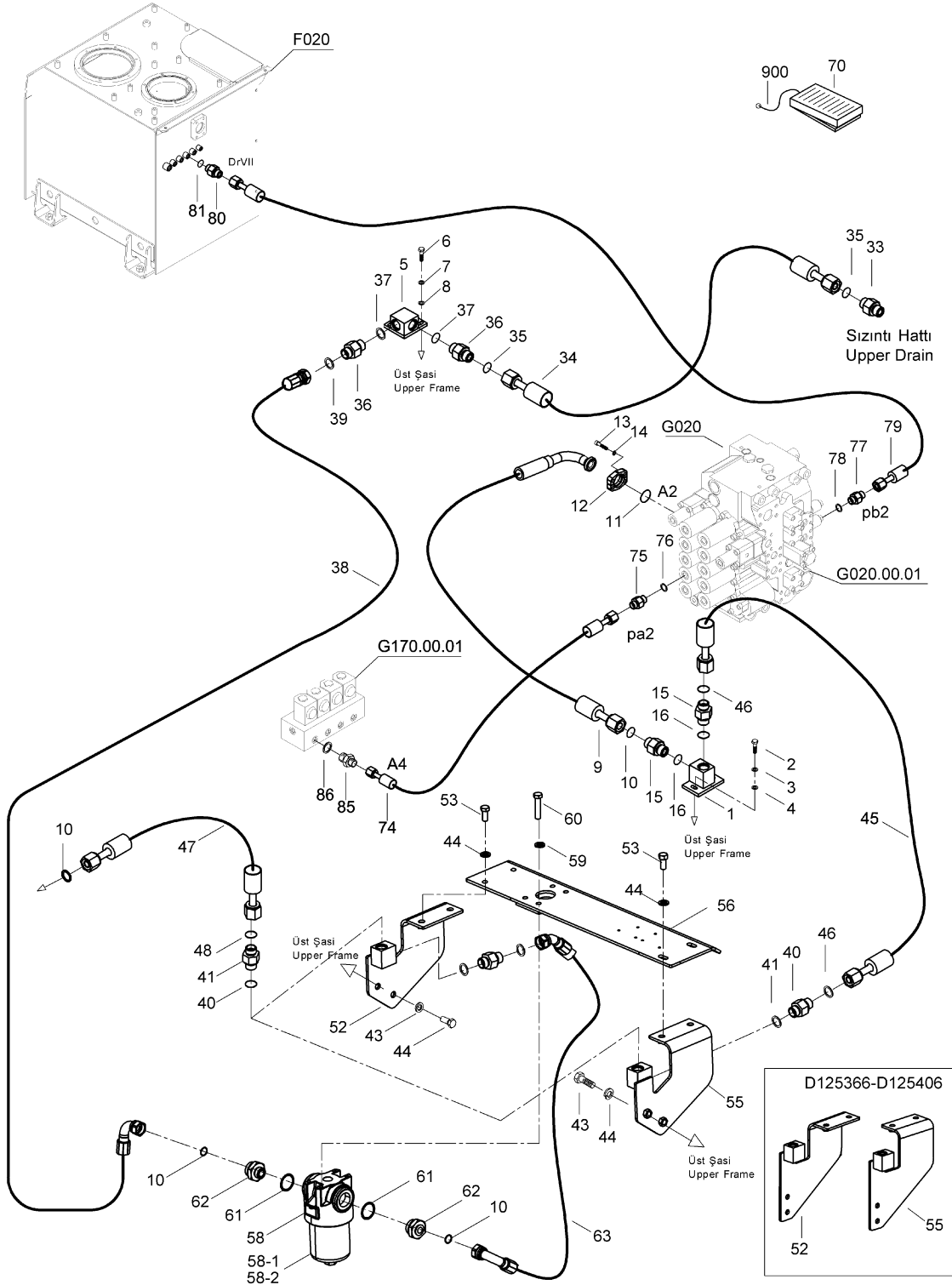
**TEK ETKİLİ HİDROLİK TESİSATI 2 (3.07m, OP)**  
**SINGLE ACTING HYD. PIPING 2 (3.07m, OP)**



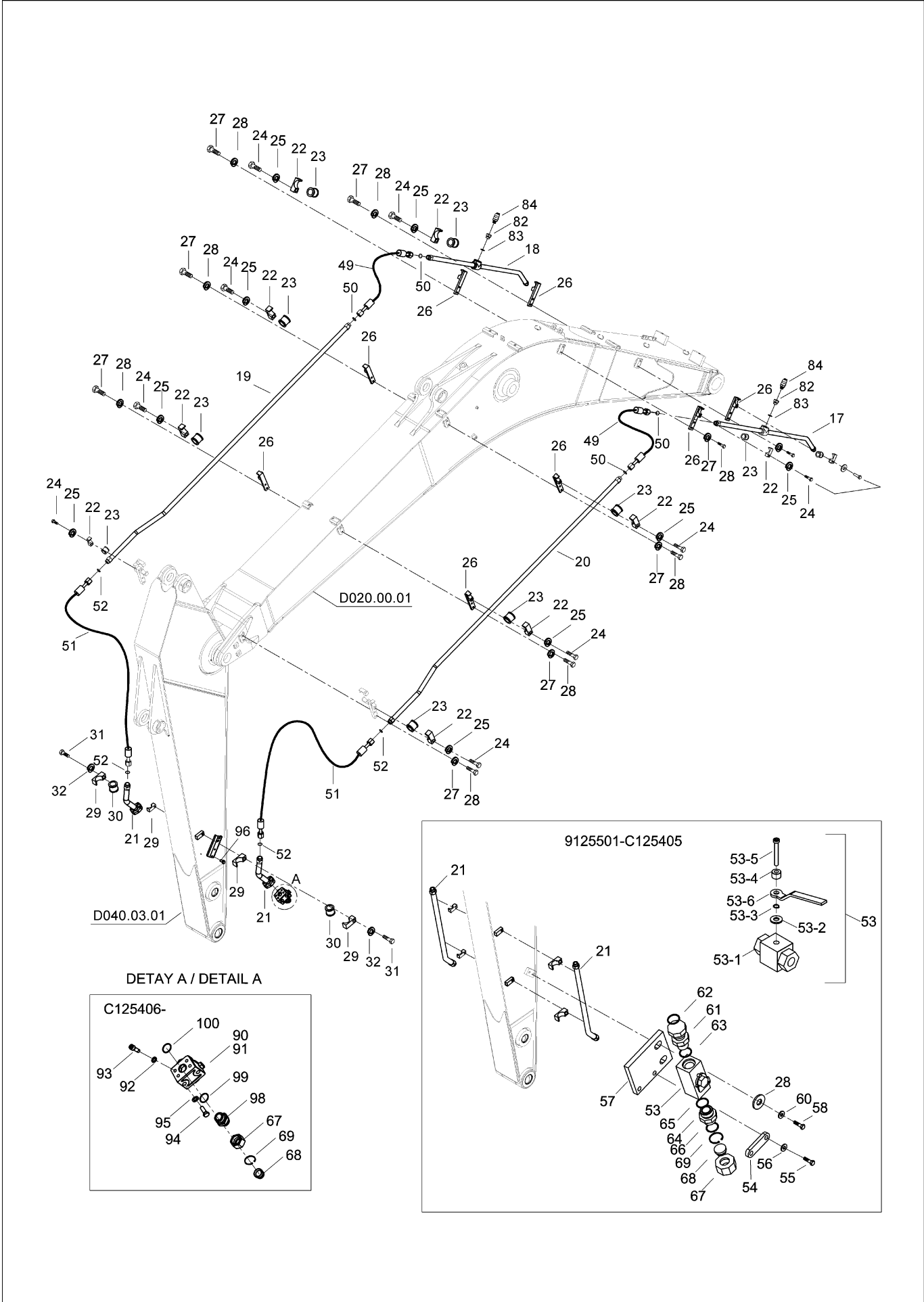
**TEK ETKİLİ HİDROLİK TESİSATI 2 (3.07m, OP)**  
**SINGLE ACTING HYD. PIPING 2 (3.07m, OP)**



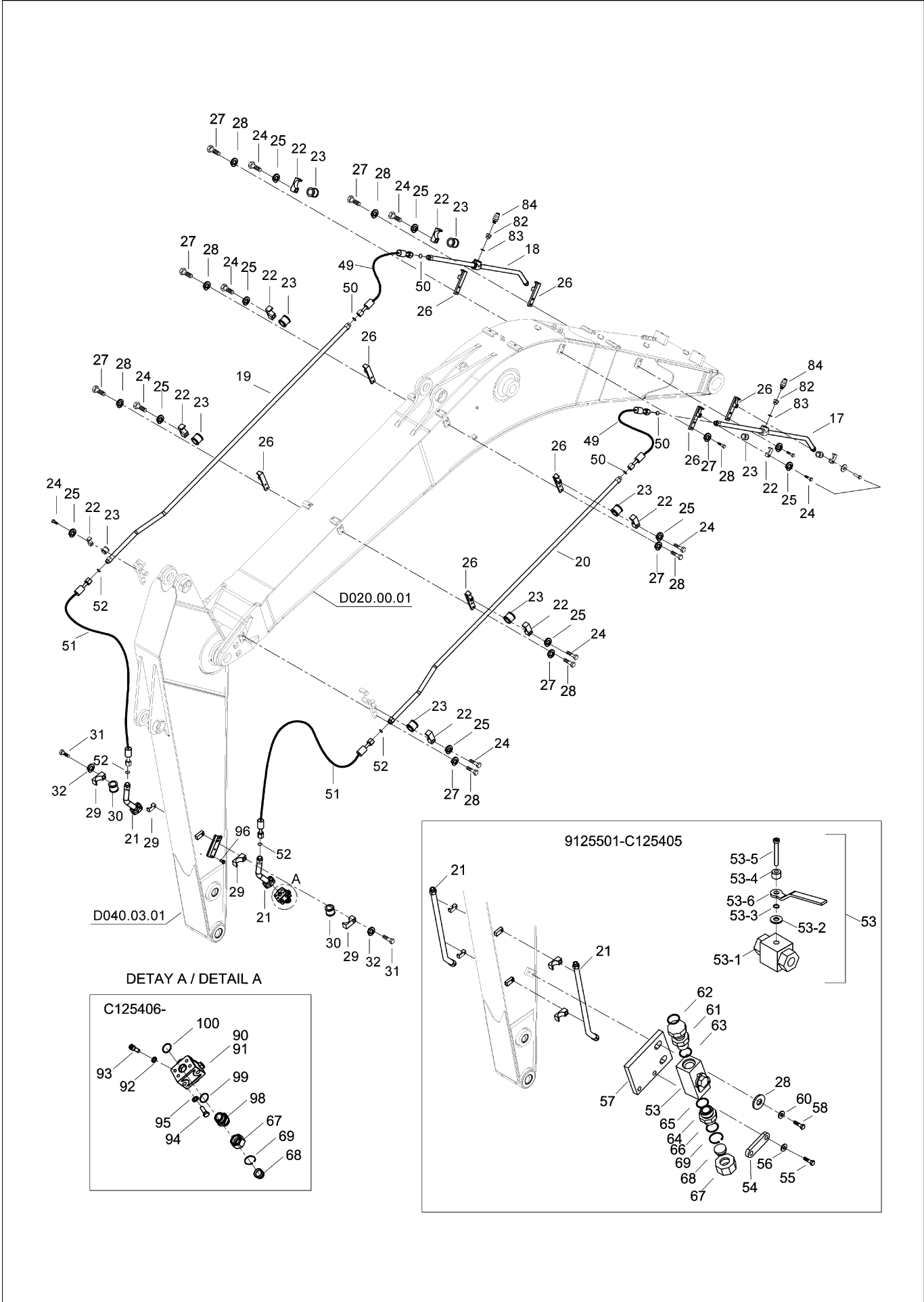
**TEK ETKİLİ HİDROLİK TESİSATI 2 (3.07m, OP)**  
**SINGLE ACTING HYD. PIPING 2 (3.07m, OP)**



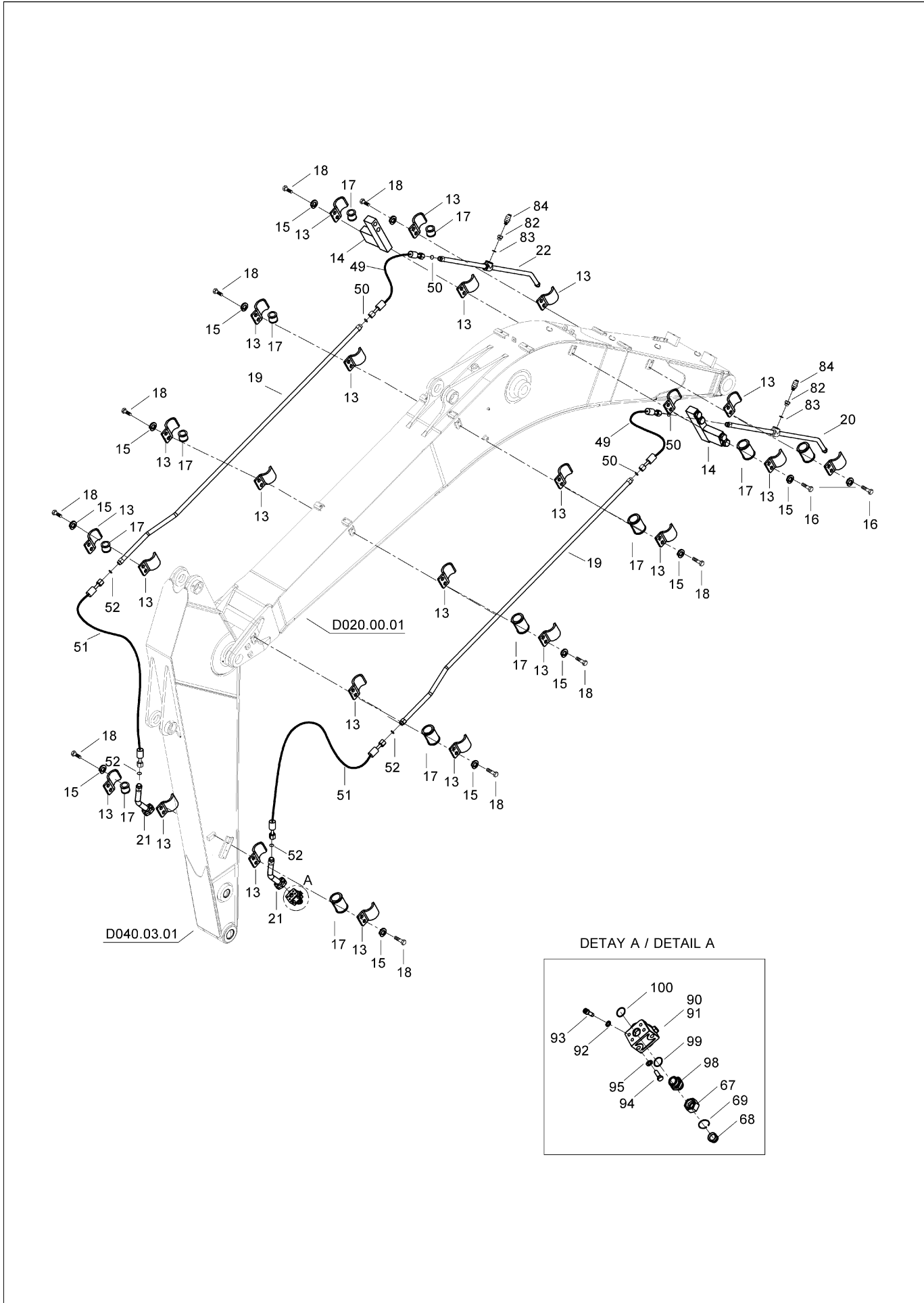
### TEK ETKİLİ HİDROLİK TESİSATI 1 (2.1m, OP) SINGLE ACTING HYD. PIPING 1 (2.1m, OP)



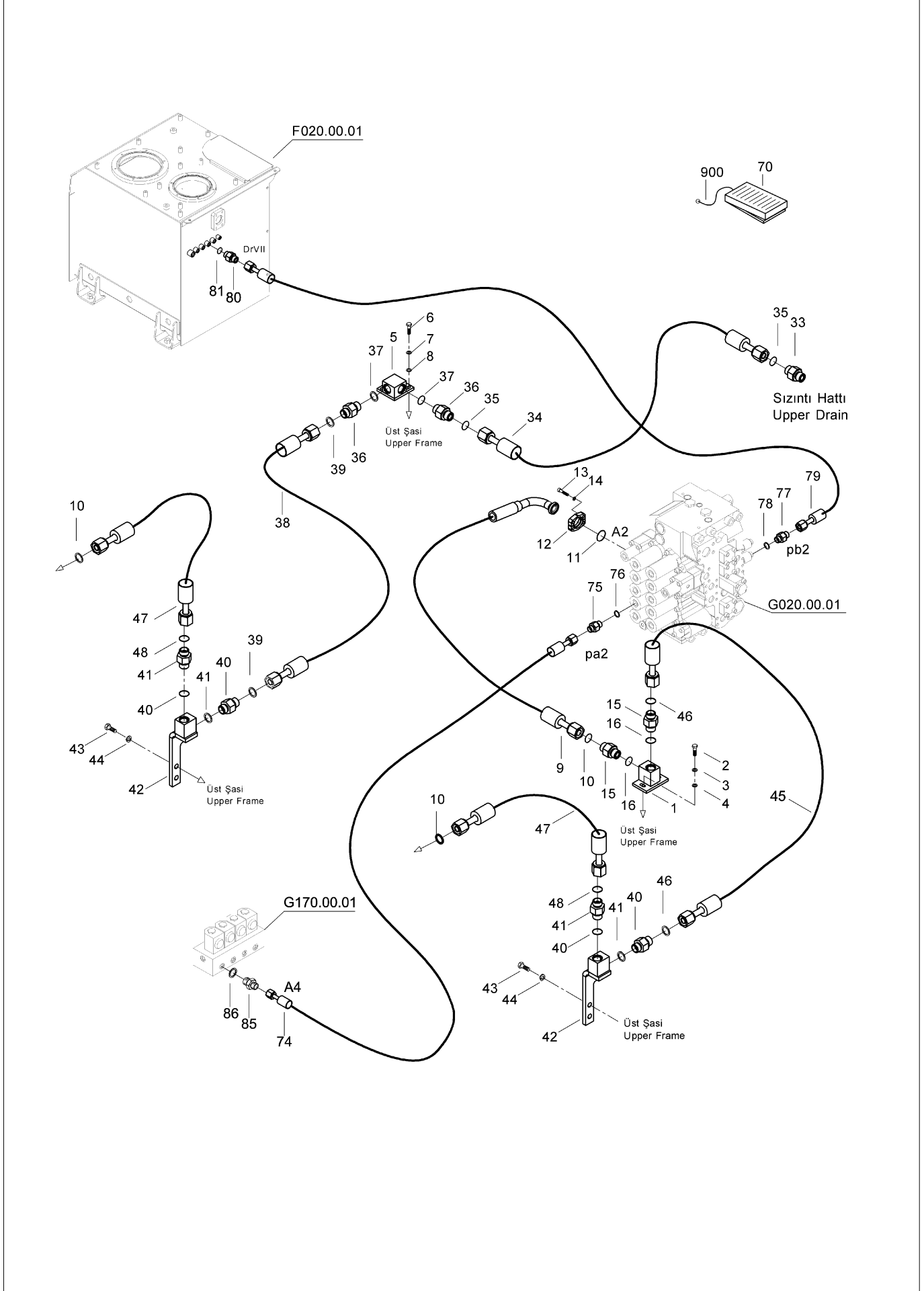
### TEK ETKİLİ HİDROLİK TESİSATI 1 (2.1m, OP) SINGLE ACTING HYD. PIPING 1 (2.1m, OP)



### TEK ETKİLİ HİDROLİK TESİSATI 1 (2.1m, OP) SINGLE ACTING HYD. PIPING 1 (2.1m, OP)

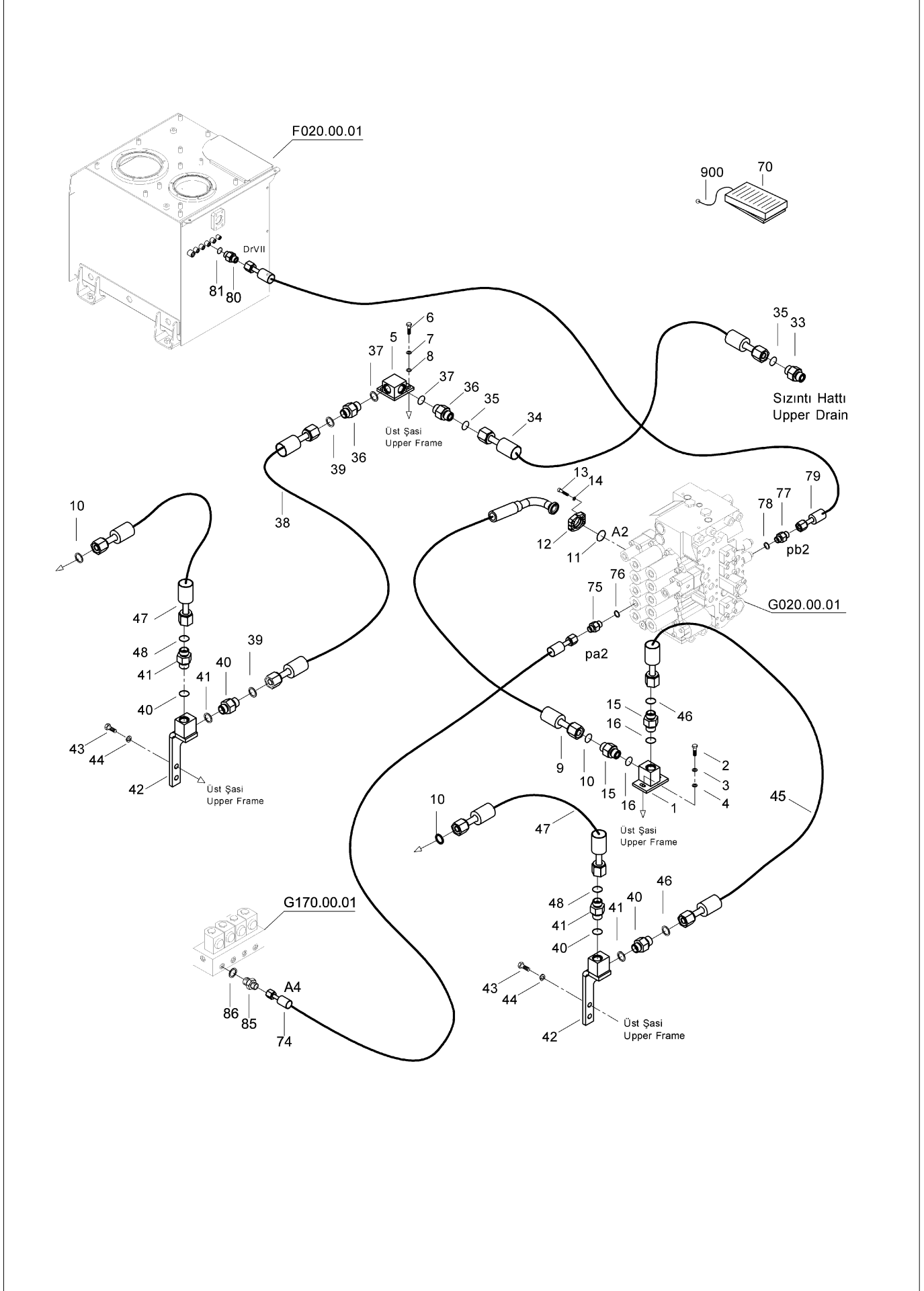


**TEK ETKİLİ HİDROLİK TESİSATI 2 (2.1m, OP)**  
**SINGLE ACTING HYD. PIPING 2 (2.1m, OP)**

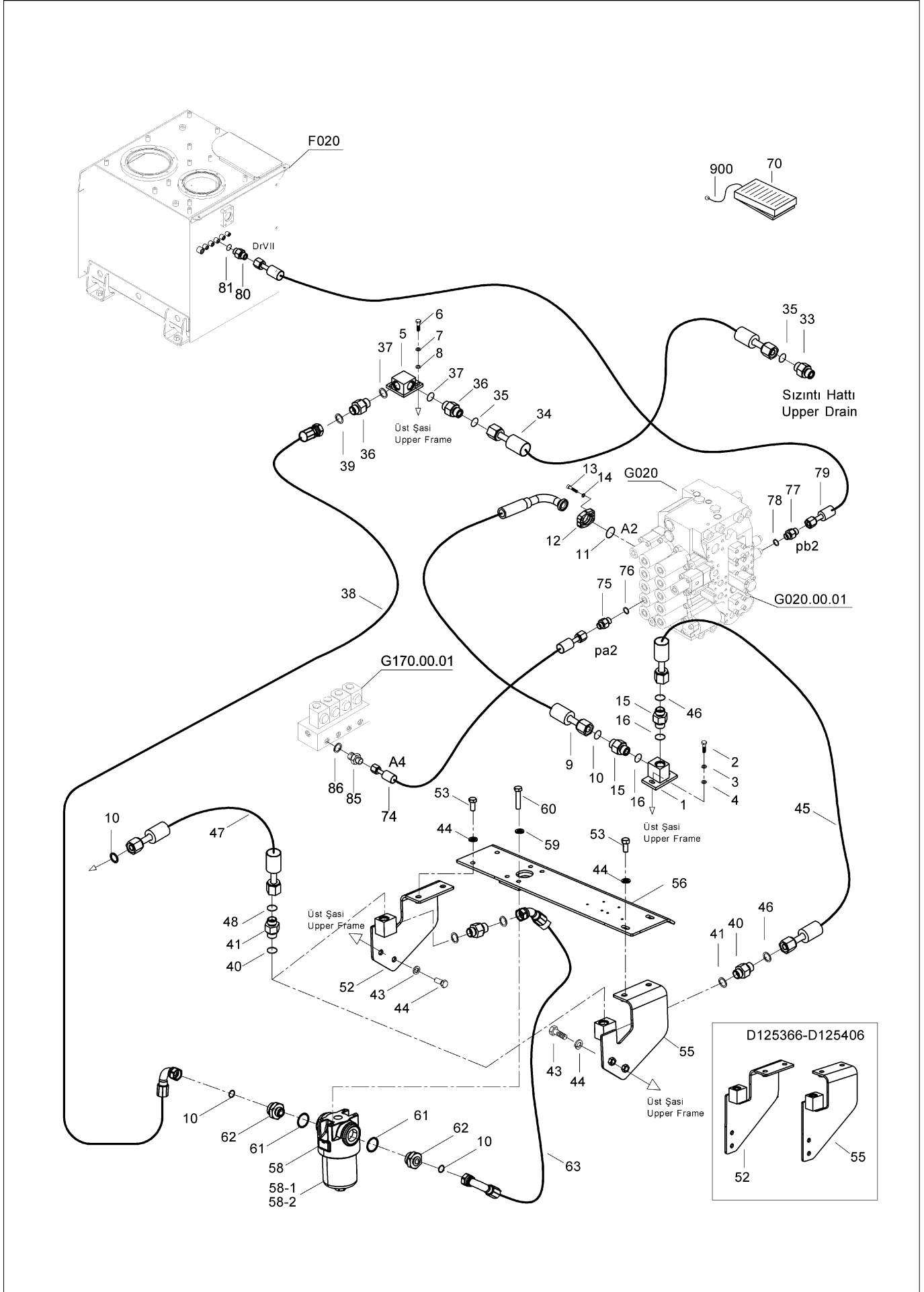




**TEK ETKİLİ HİDROLİK TESİSATI 2 (2.1m, OP)**  
**SINGLE ACTING HYD. PIPING 2 (2.1m, OP)**

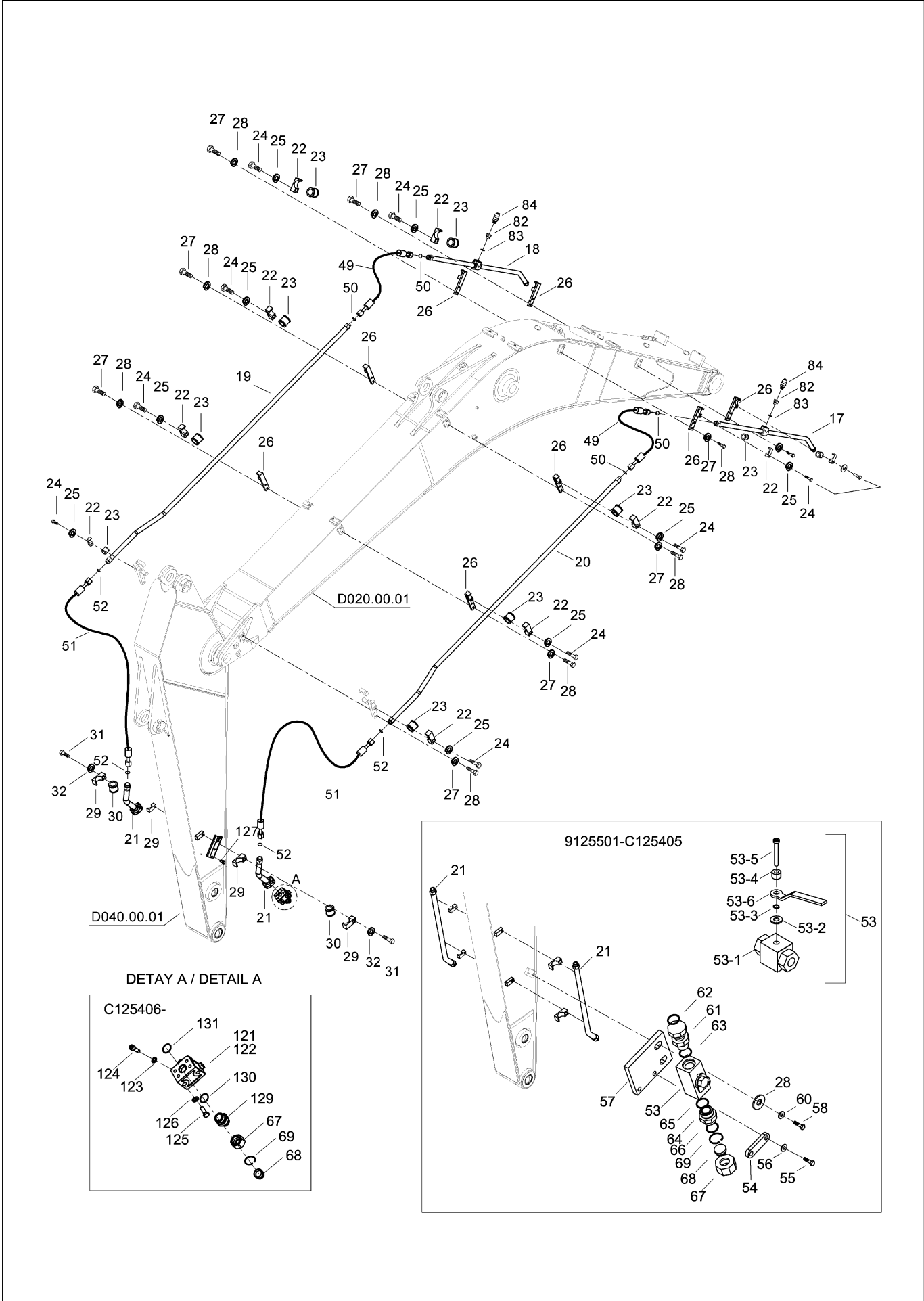


**TEK ETKİLİ HİDROLİK TESİSATI 2 (2.1m, OP)**  
**SINGLE ACTING HYD. PIPING 2 (2.1m, OP)**



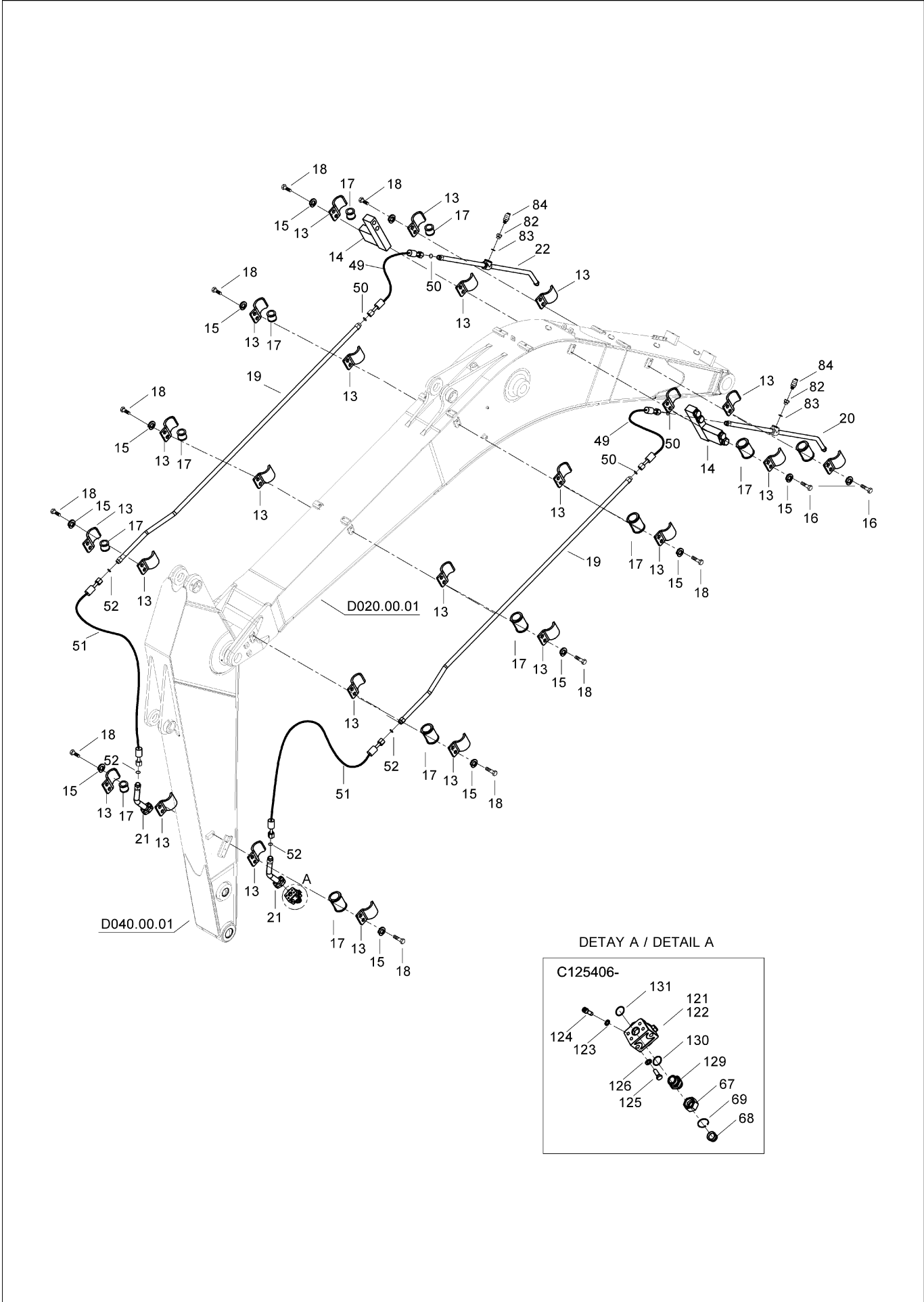


### ÇİFT ETKİLİ HİDROLİK TESİSATI 1 (2.5m, OP) DOUBLE ACTING HYD. PIPING 1 (2.5m, OP)

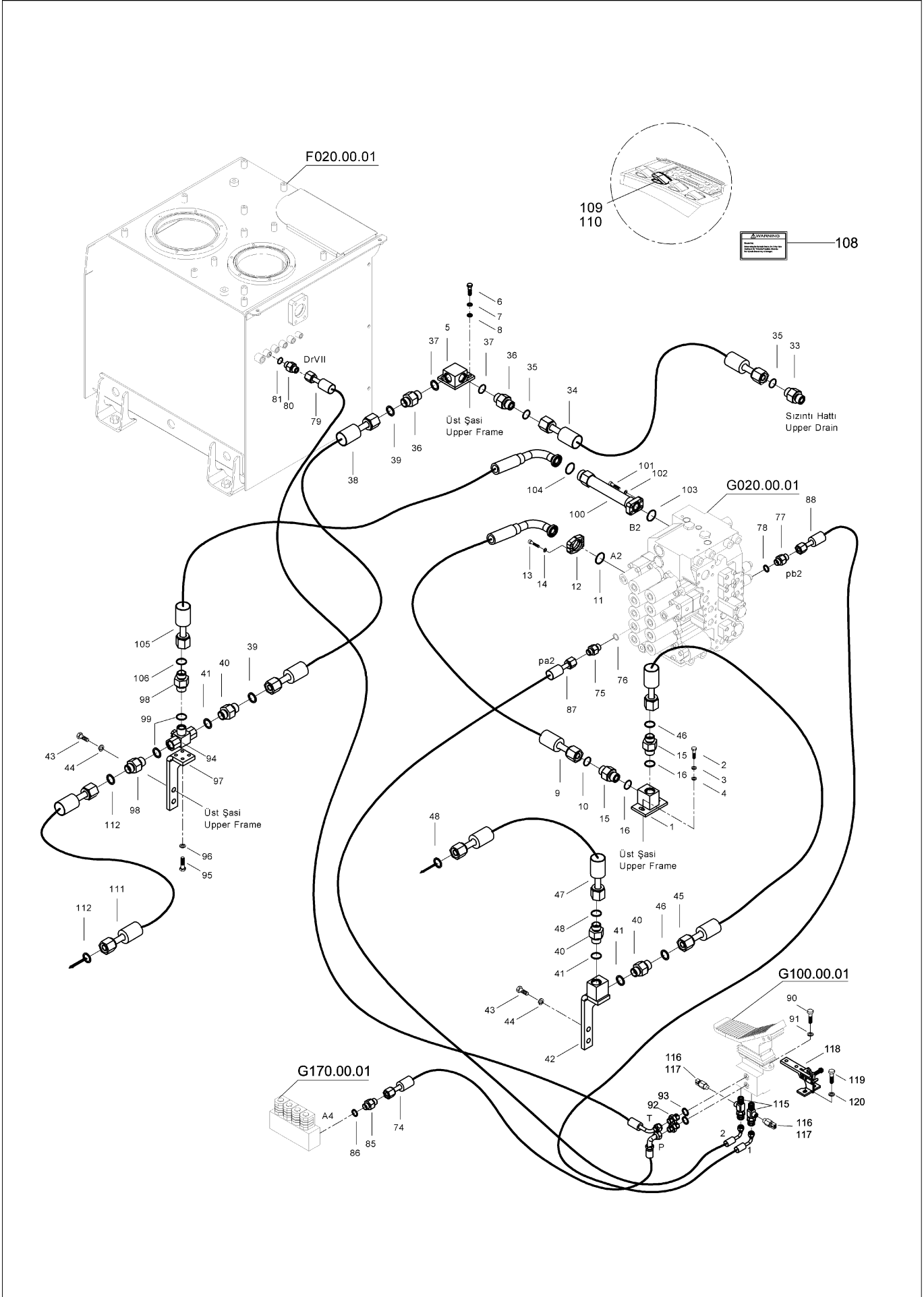




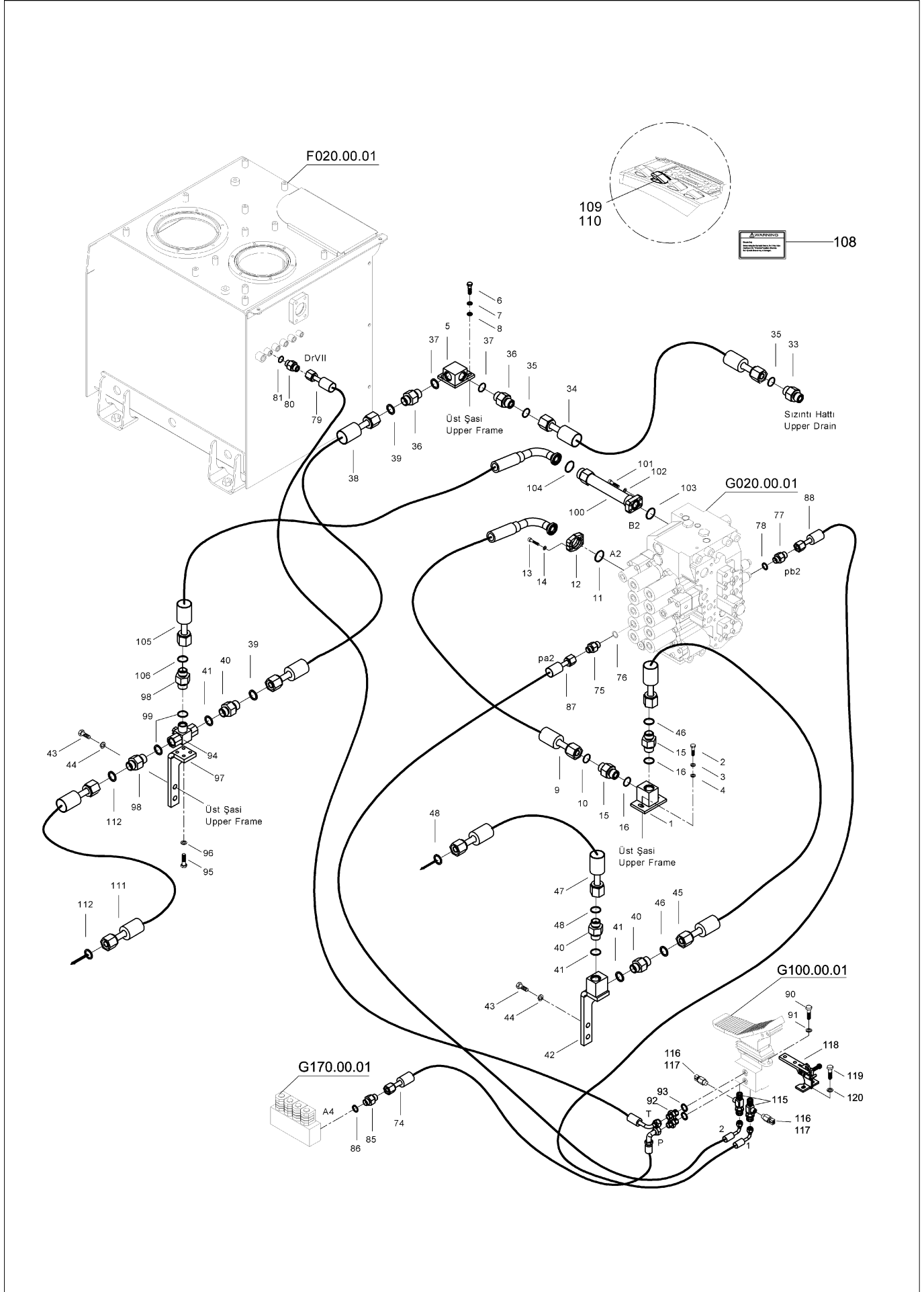
### ÇİFT ETKİLİ HİDROLİK TESİSATI 1 (2.5m, OP) DOUBLE ACTING HYD. PIPING 1 (2.5m, OP)



**ÇİFT ETKİLİ HİDROLİK TESİSATI 2 (2.5m, OP)**  
**DOUBLE ACTING HYD. PIPING 2 (2.5m, OP)**



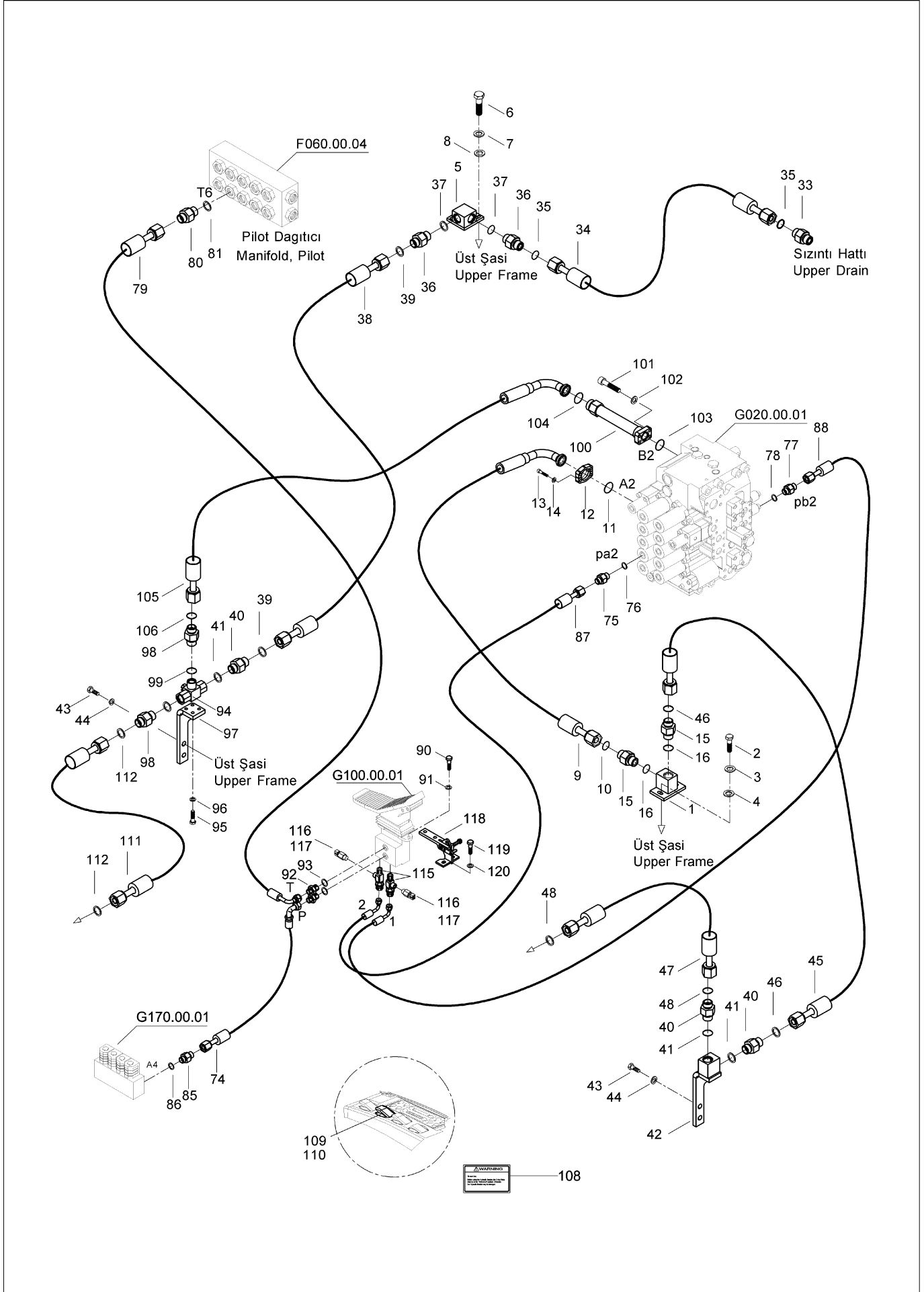
**ÇİFT ETKİLİ HİDROLİK TESİSATI 2 (2.5m, OP)**  
**DOUBLE ACTING HYD. PIPING 2 (2.5m, OP)**



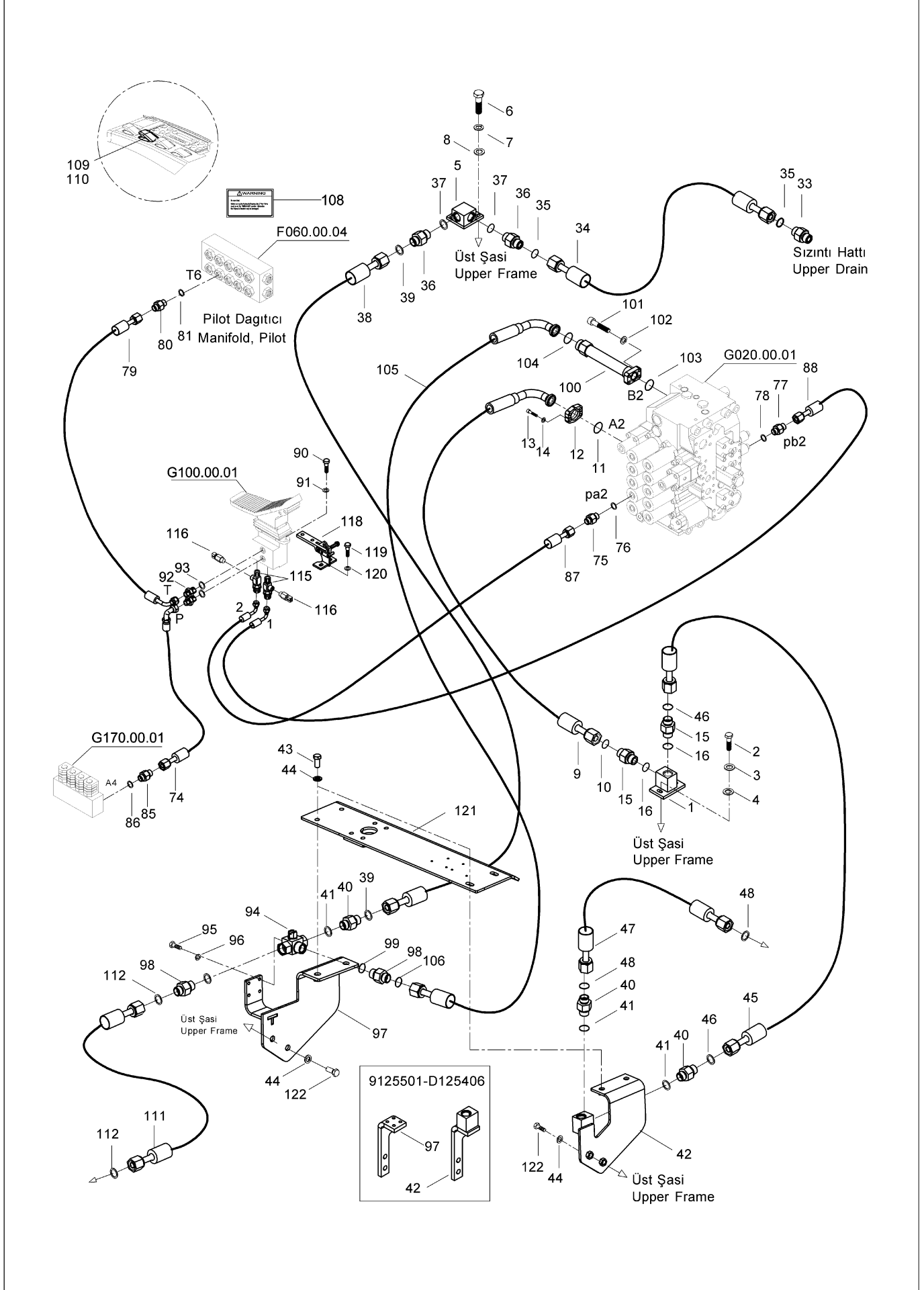




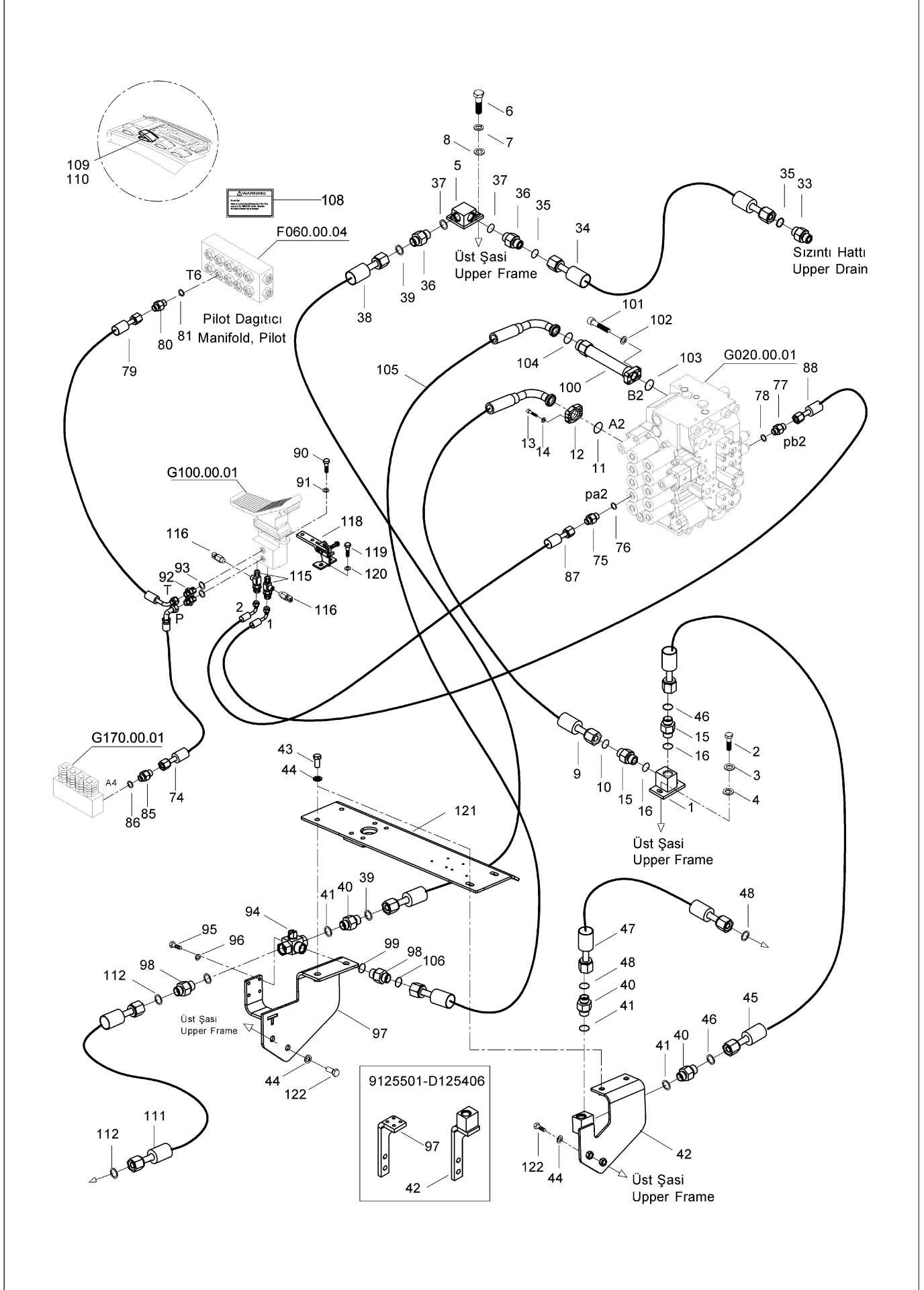
**ÇİFT ETKİLİ HİDROLİK TESİSATI 2 (2.5m, OP)**  
**DOUBLE ACTING HYD. PIPING 2 (2.5m, OP)**



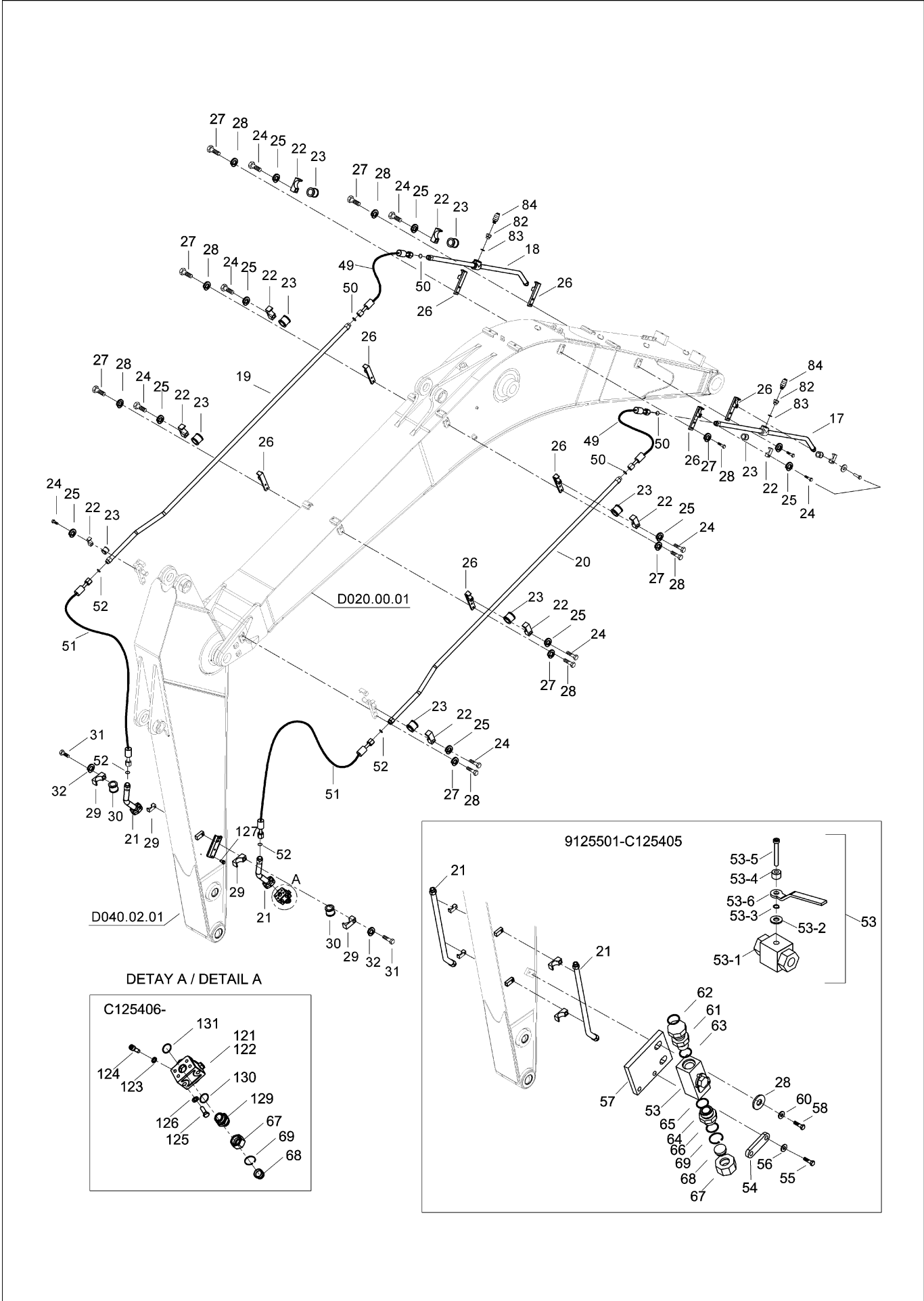
**ÇİFT ETKİLİ HİDROLİK TESİSATI 2 (2.5m, OP)**  
**DOUBLE ACTING HYD. PIPING 2 (2.5m, OP)**



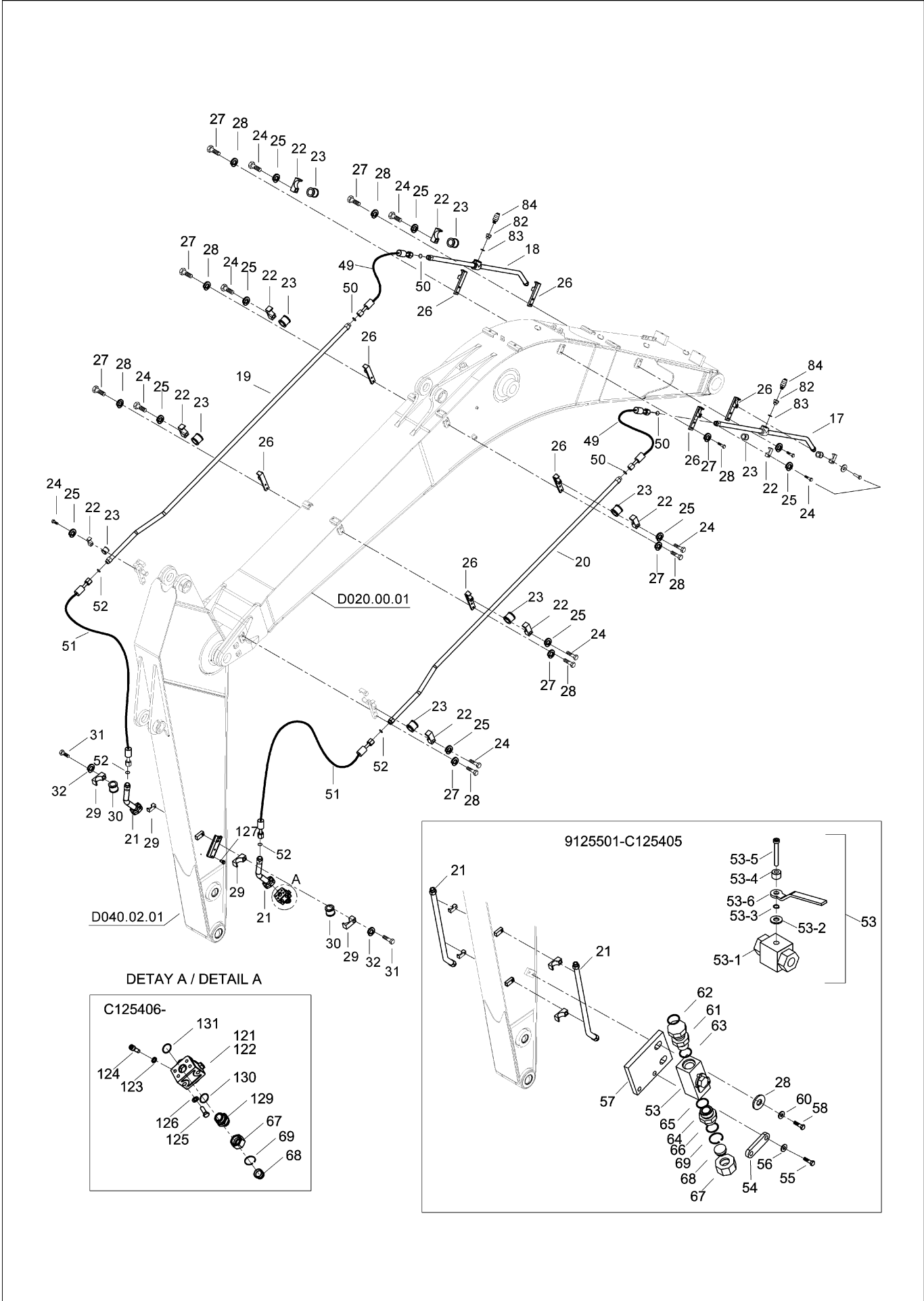
**ÇİFT ETKİLİ HİDROLİK TESİSATI 2 (2.5m, OP)**  
**DOUBLE ACTING HYD. PIPING 2 (2.5m, OP)**



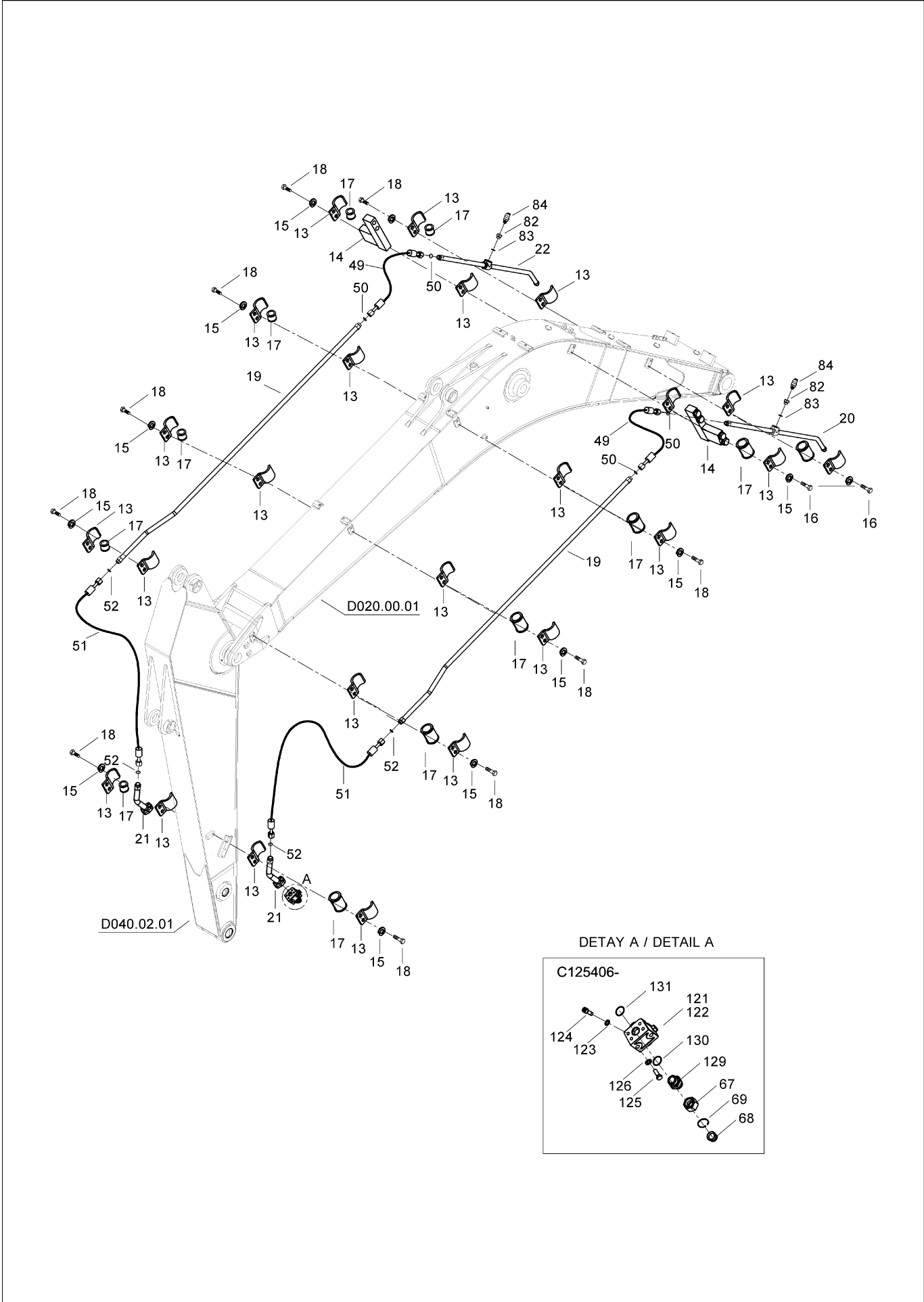
### ÇİFT ETKİLİ HİDROLİK TESİSATI 1 (3.07m, OP) DOUBLE ACTING HYD. PIPING 1 (3.07m, OP)



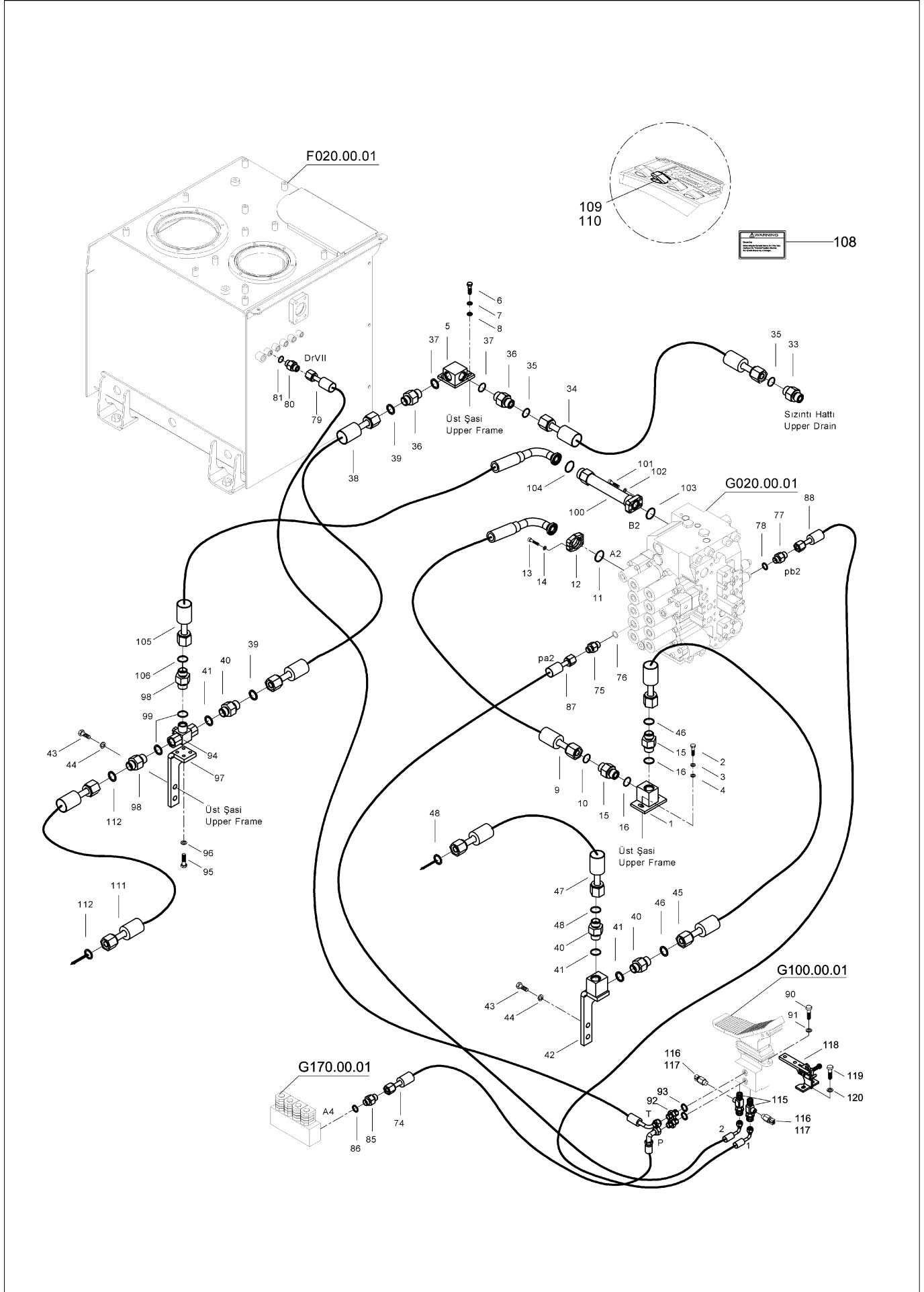
**ÇİFT ETKİLİ HİDROLİK TESİSATI 1 (3.07m, OP)**  
**DOUBLE ACTING HYD. PIPING 1 (3.07m, OP)**



### ÇİFT ETKİLİ HİDROLİK TESİSATI 1 (3.07m, OP) DOUBLE ACTING HYD. PIPING 1 (3.07m, OP)

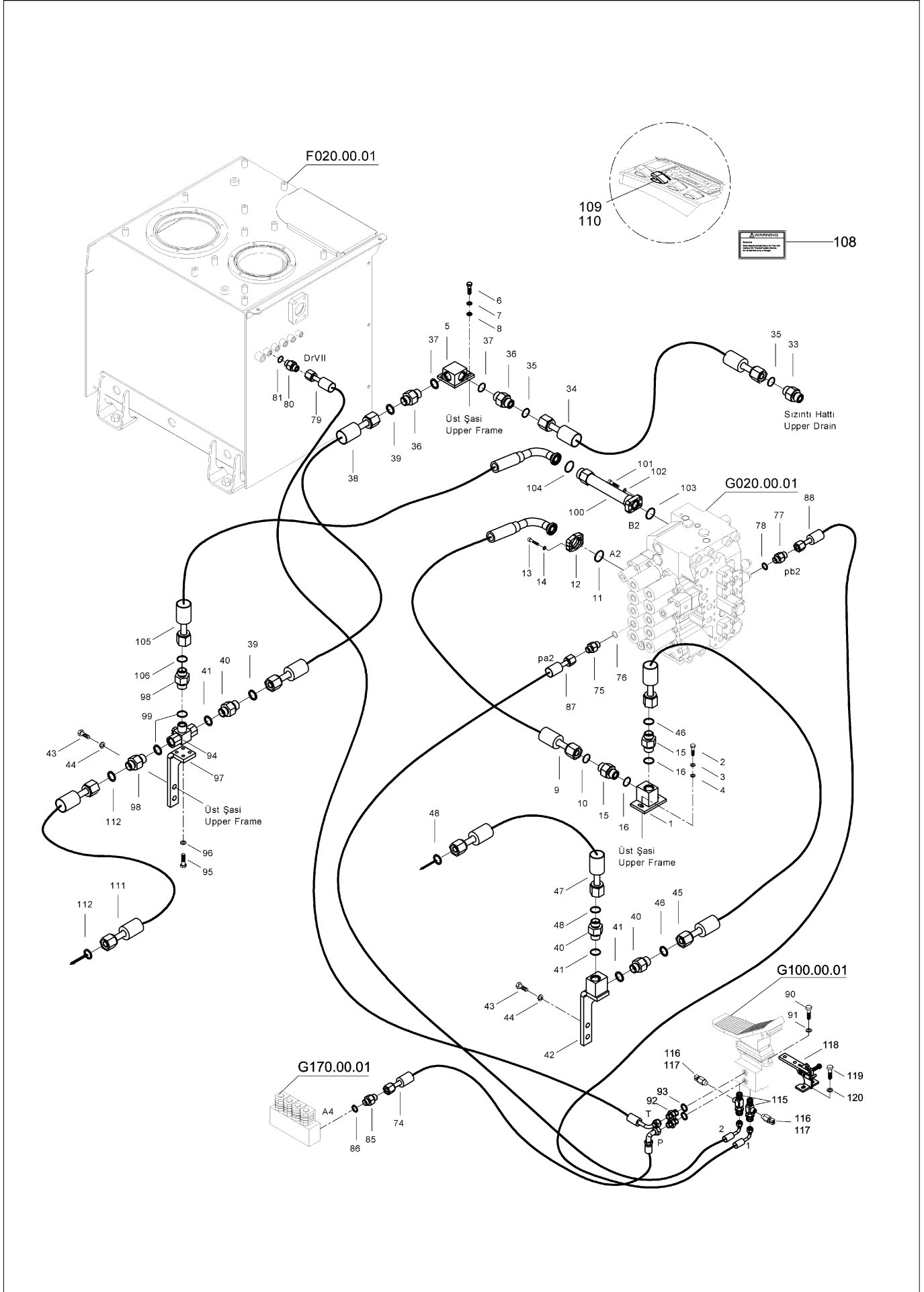


**ÇİFT ETKİLİ HİDROLİK TESİSATI 2 (3.07m, OP)**  
**DOUBLE ACTING HYD. PIPING 2 (3.07m, OP)**

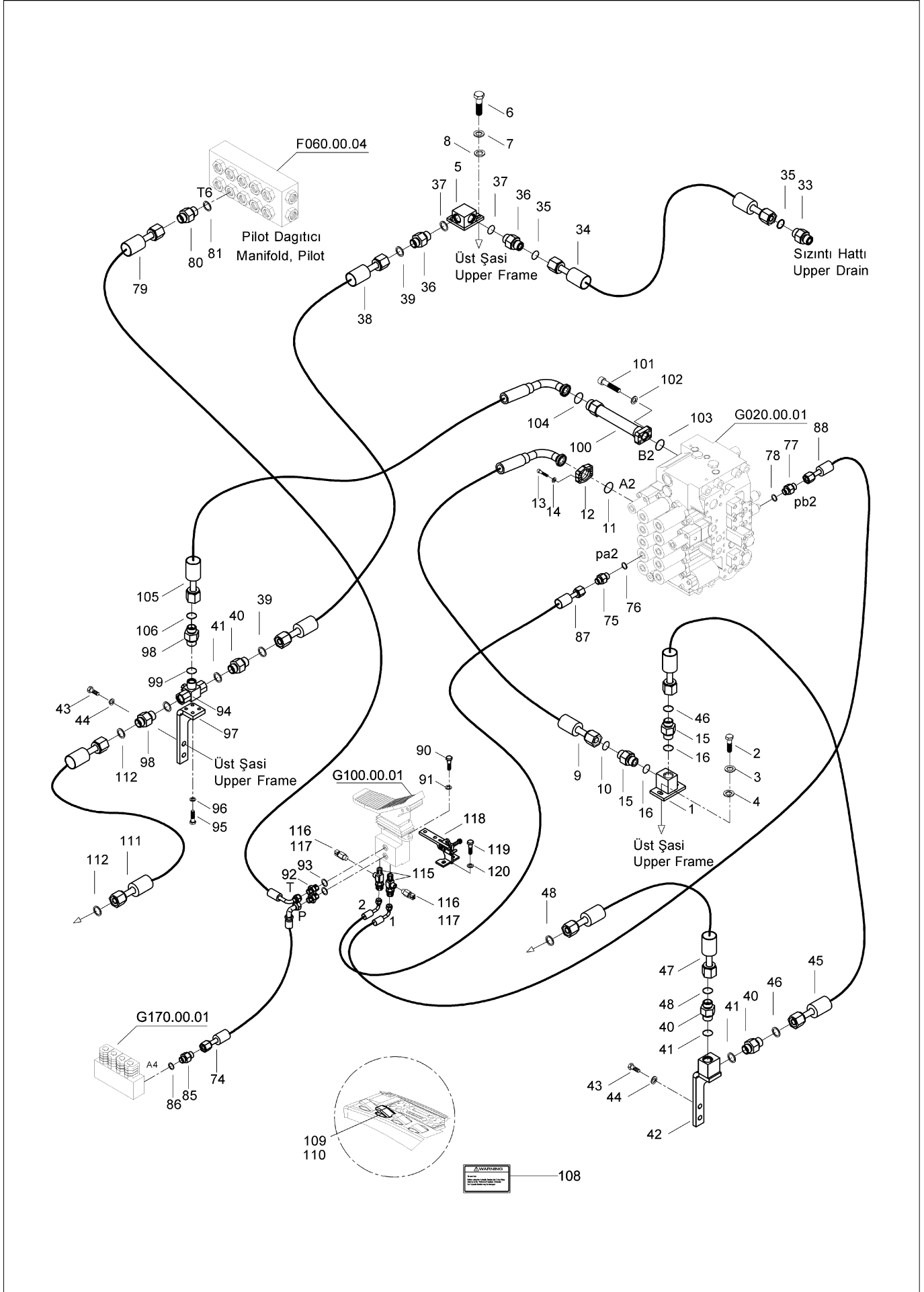




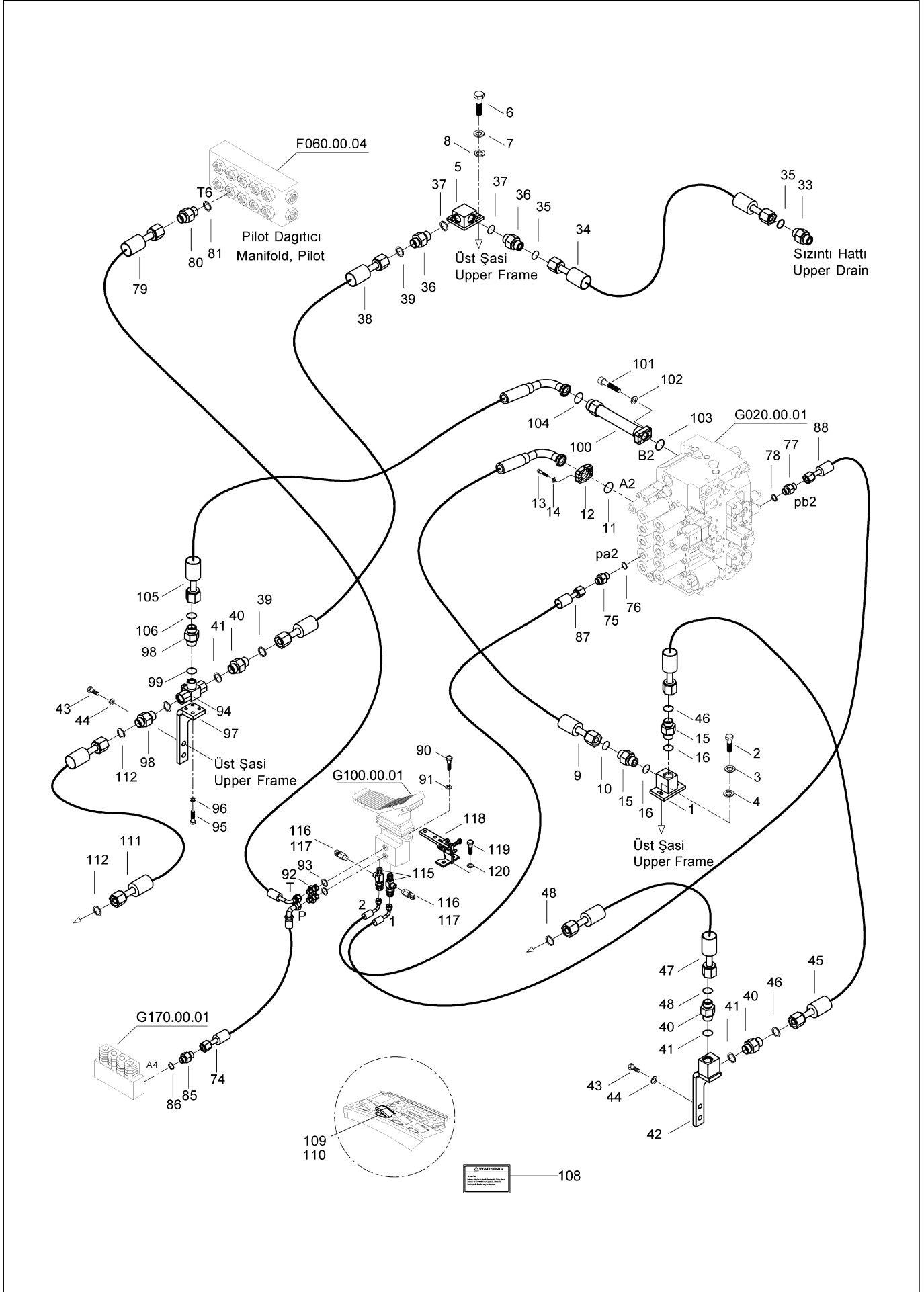
**ÇİFT ETKİLİ HİDROLİK TESİSATI 2 (3.07m, OP)**  
**DOUBLE ACTING HYD. PIPING 2 (3.07m, OP)**



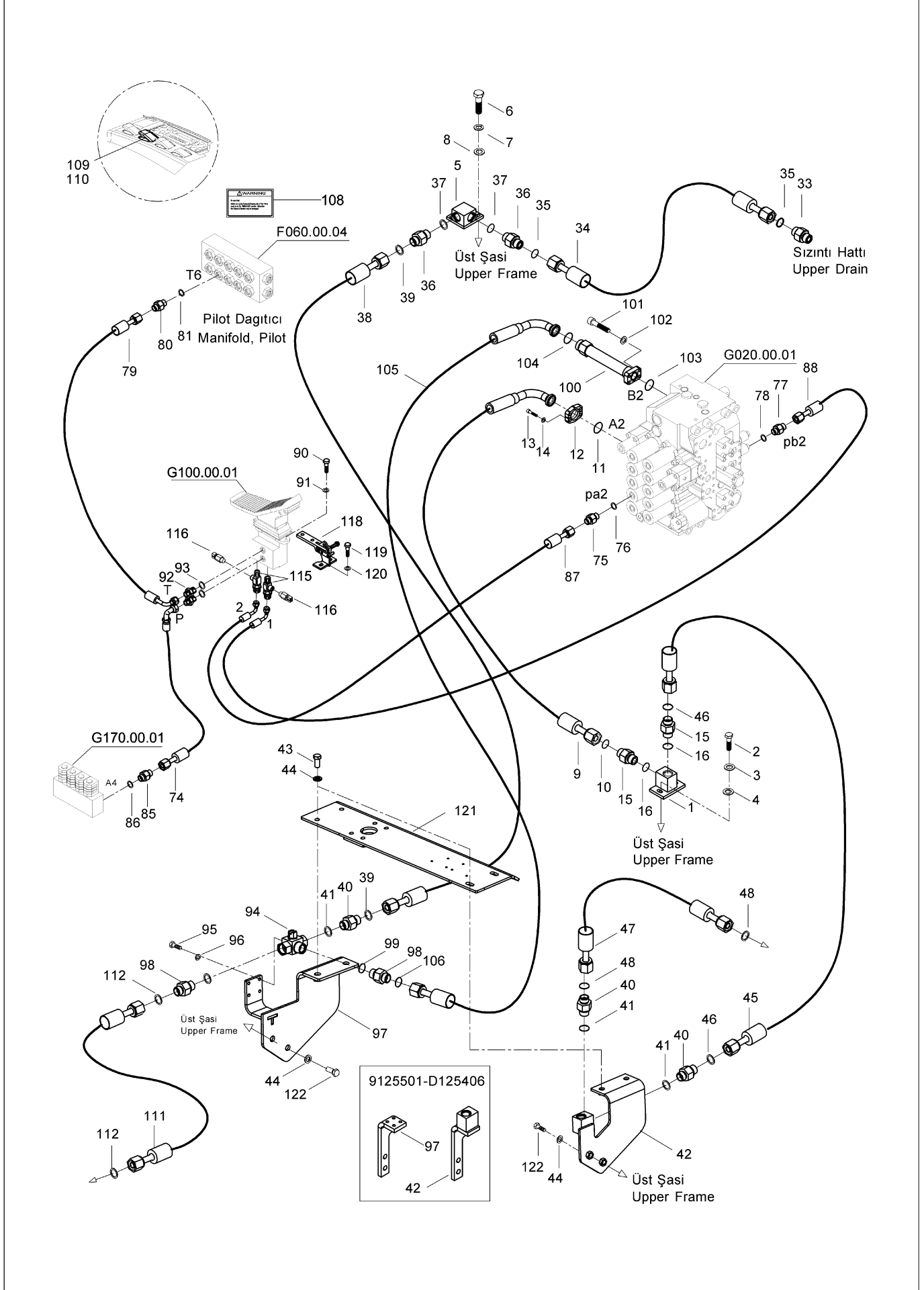
**ÇİFT ETKİLİ HİDROLİK TESİSATI 2 (3.07m, OP)**  
**DOUBLE ACTING HYD. PIPING 2 (3.07m, OP)**



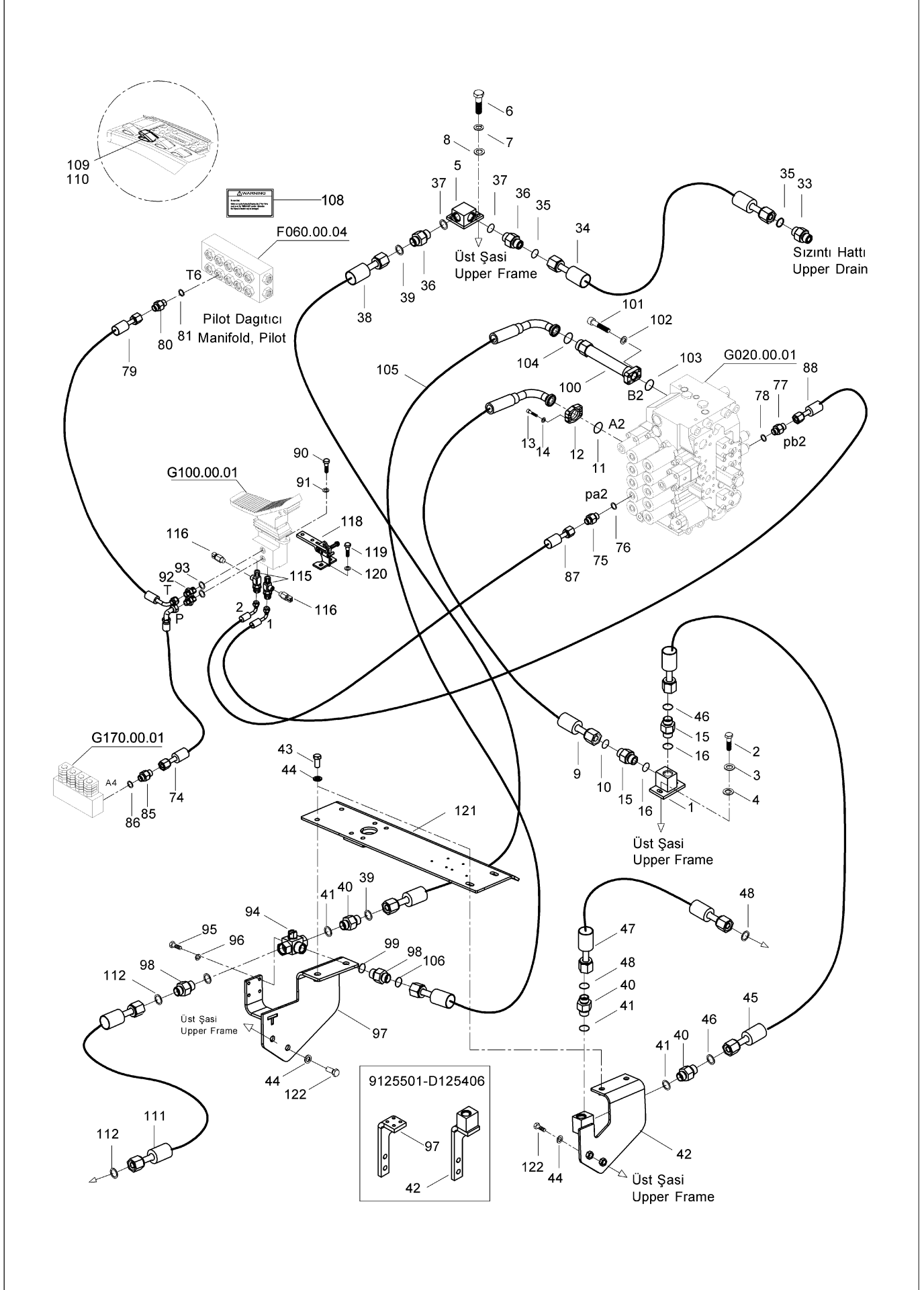
**ÇİFT ETKİLİ HİDROLİK TESİSATI 2 (3.07m, OP)**  
**DOUBLE ACTING HYD. PIPING 2 (3.07m, OP)**



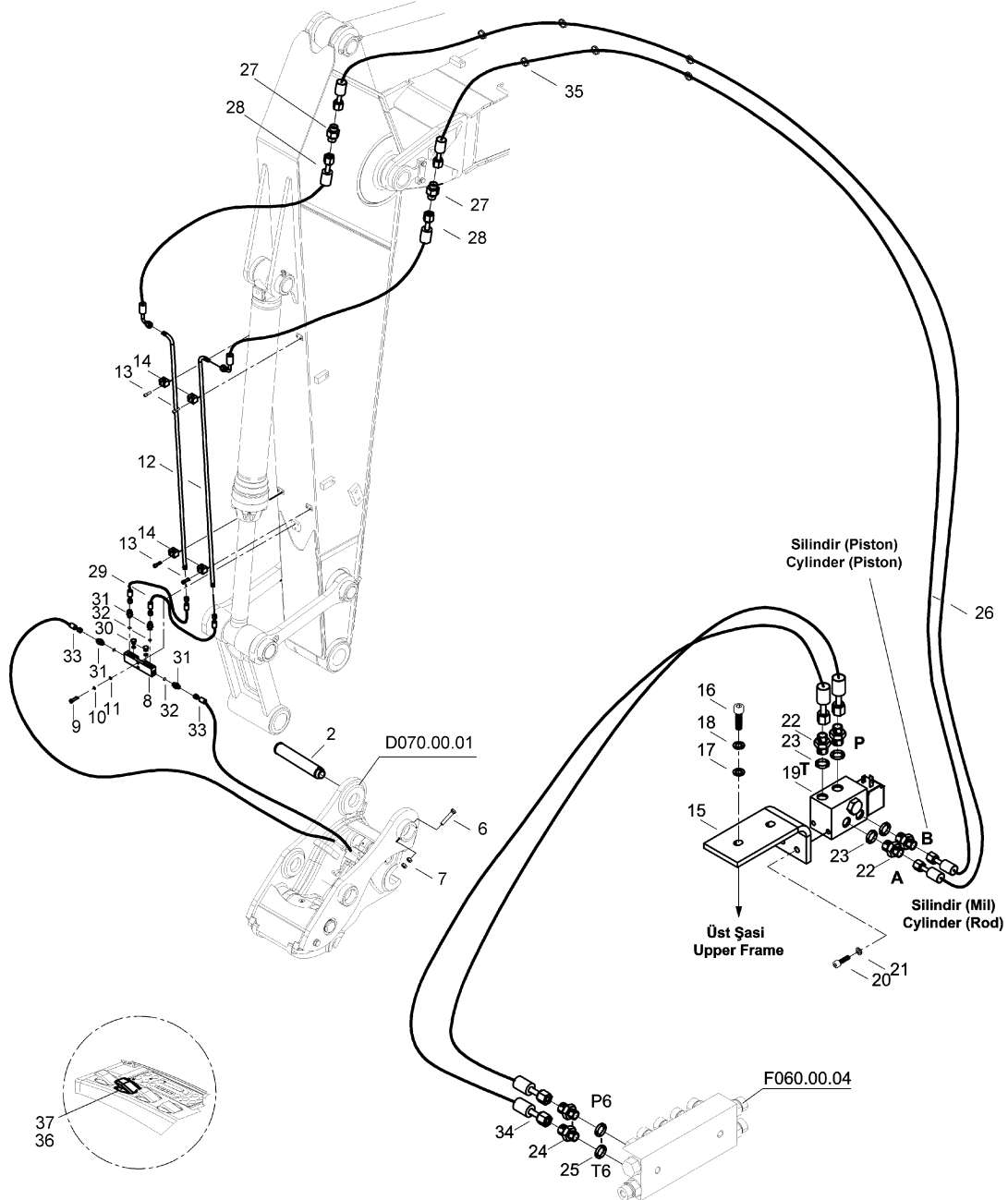
**ÇİFT ETKİLİ HİDROLİK TESİSATI 2 (3.07m, OP)**  
**DOUBLE ACTING HYD. PIPING 2 (3.07m, OP)**



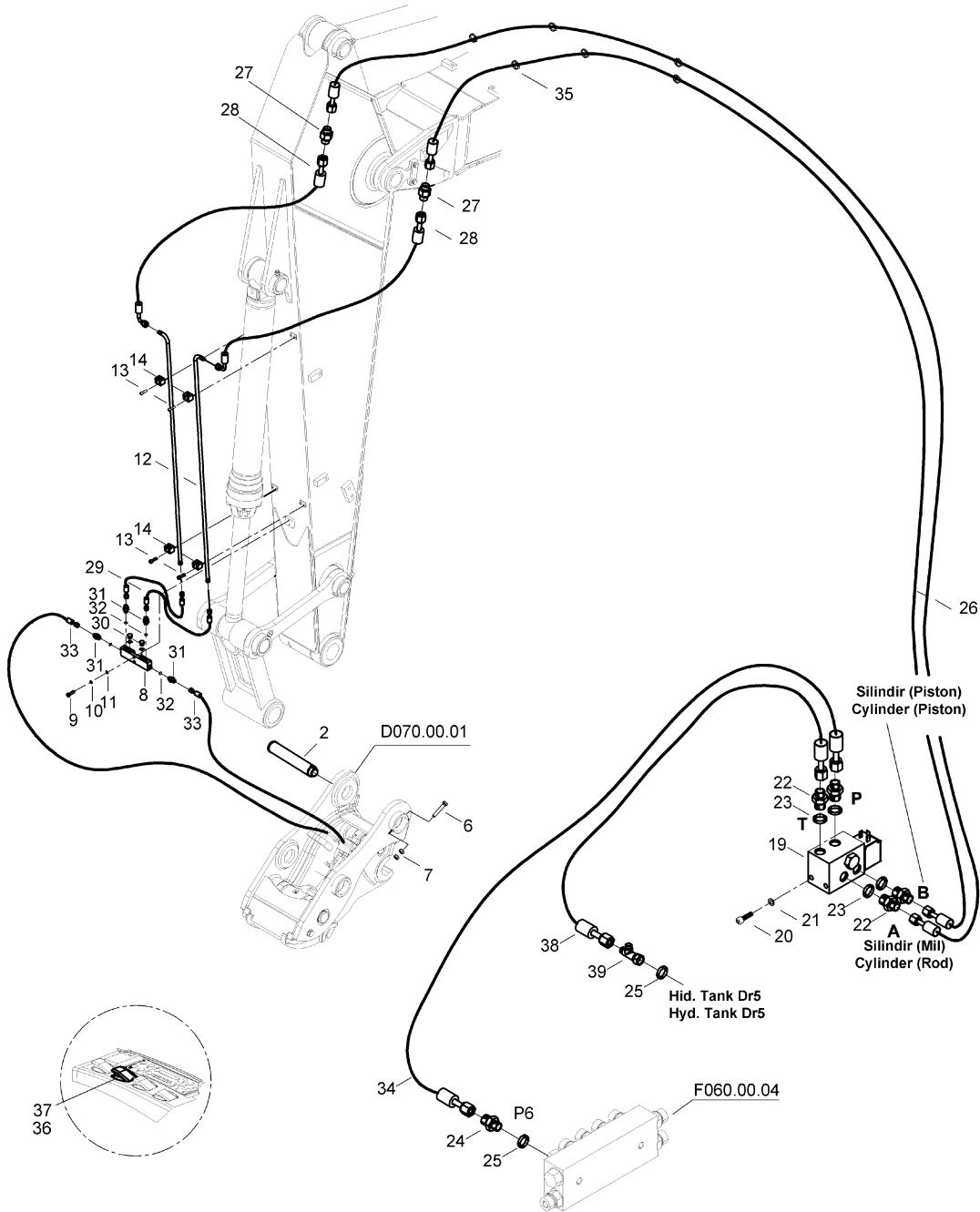
**ÇİFT ETKİLİ HİDROLİK TESİSATI 2 (3.07m, OP)**  
**DOUBLE ACTING HYD. PIPING 2 (3.07m, OP)**



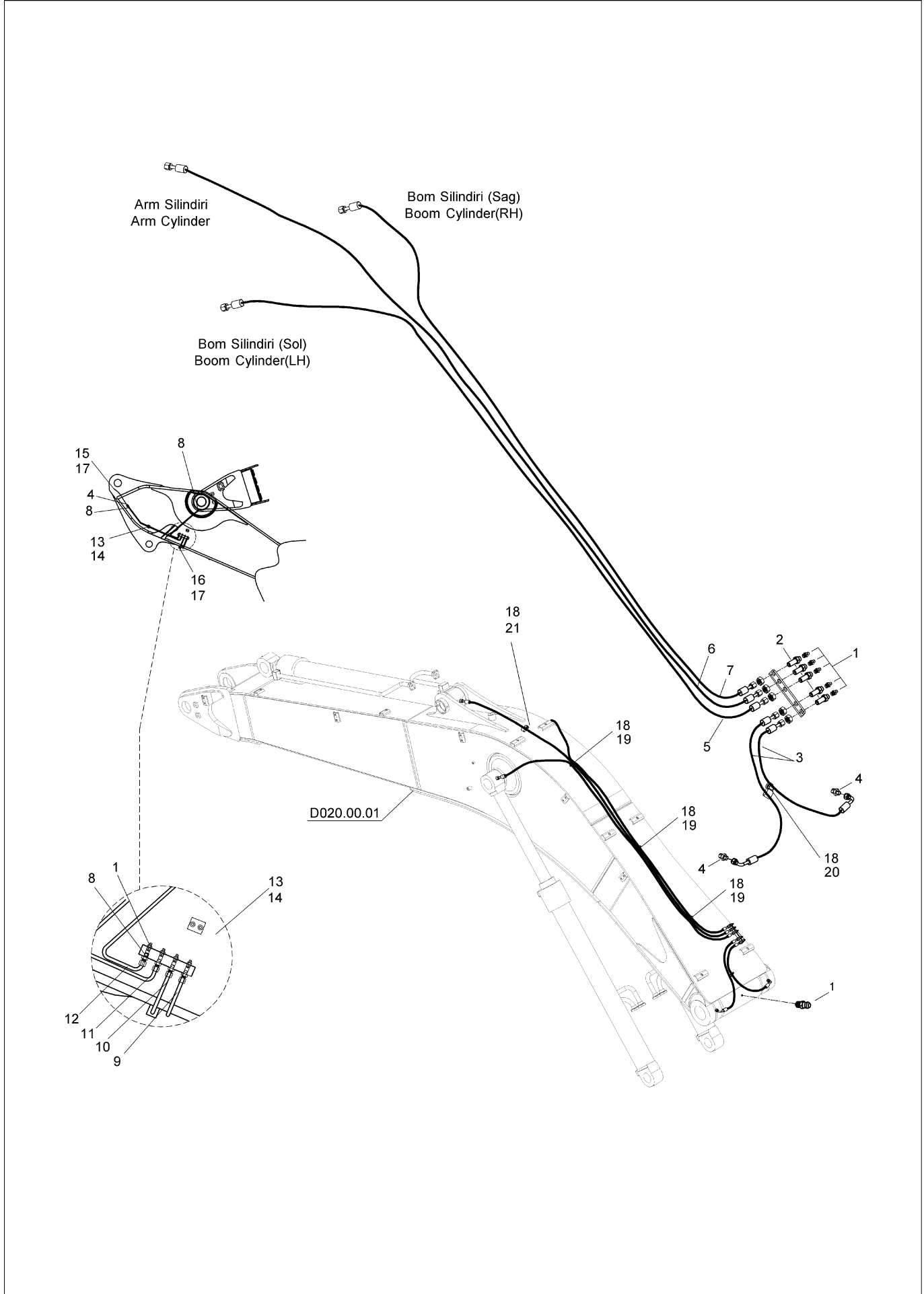
**ÇABUK SÖK-TAK HİDROLİK TESİSATI, 40 BAR (OP)**  
**QUICK COUPLER HYD. PIPING, 40 BAR (OP)**



**ÇABUK SÖK-TAK HİDROLİK TESİSATI, 40 BAR (OP)**  
**QUICK COUPLER HYD. PIPING, 40 BAR (OP)**

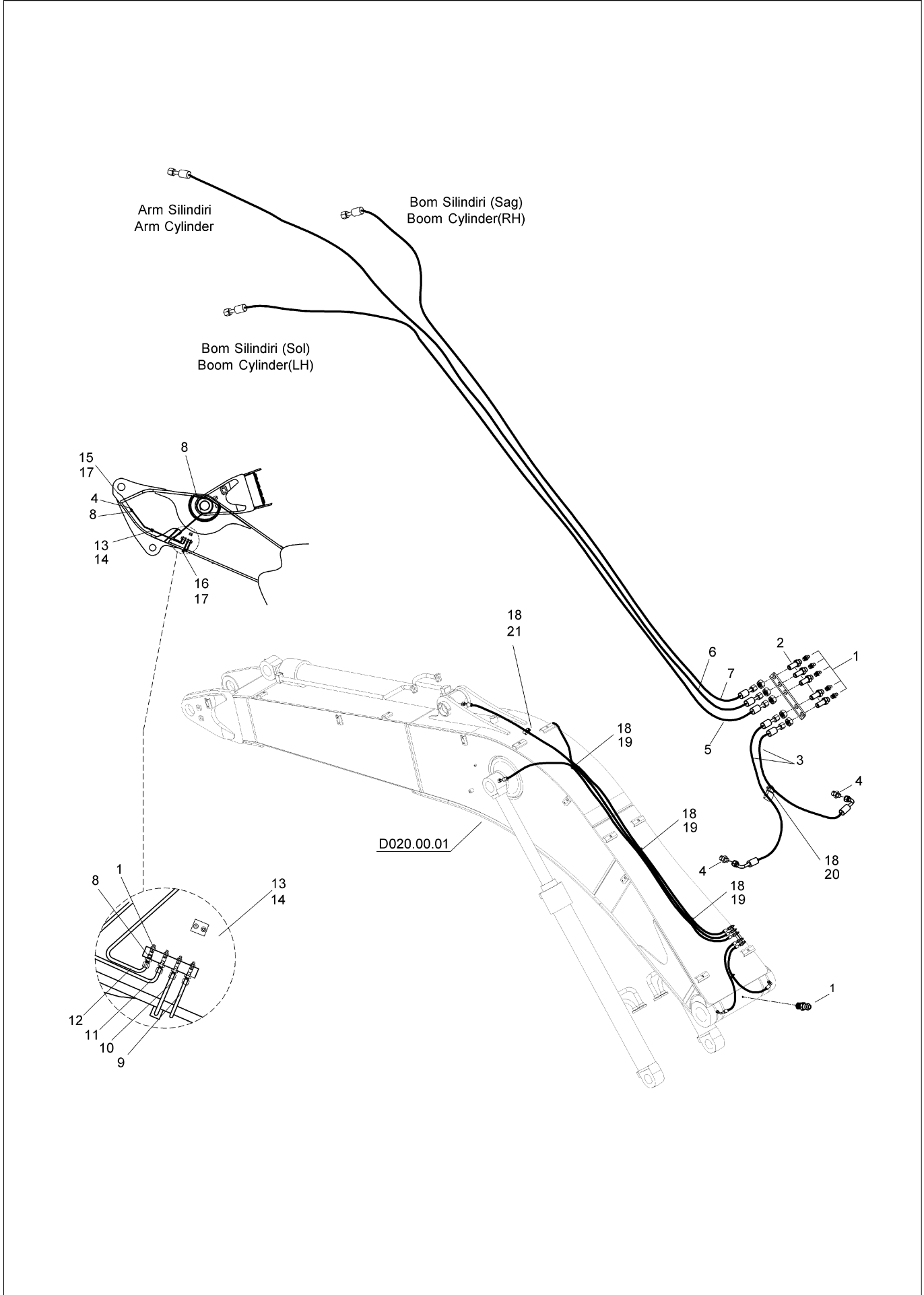


**ATAŞMAN GRESLEME SİSTEMİ (2.5m)**  
**ATTACHMENT GREASE LUB SYSTEM (2.5m)**

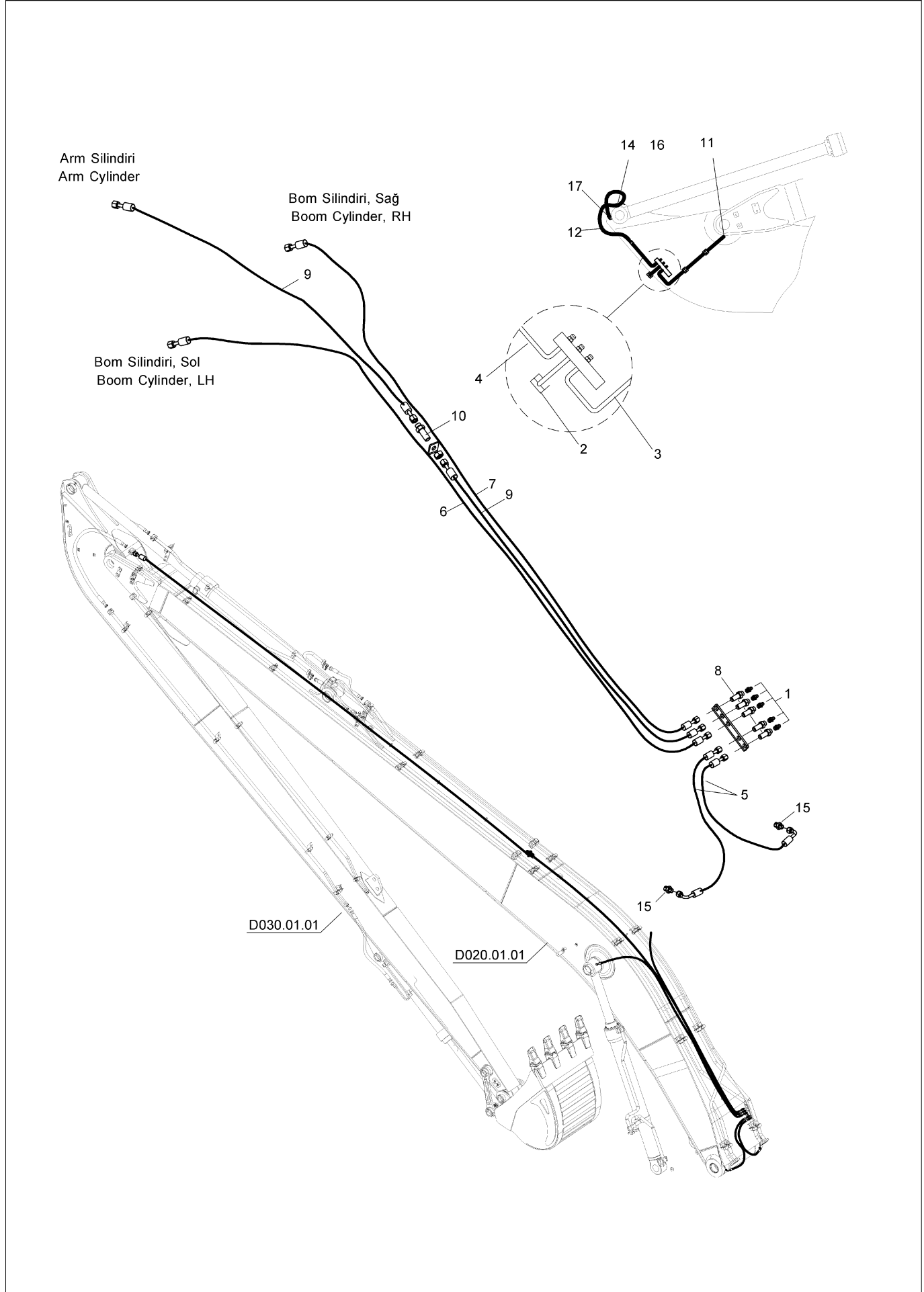




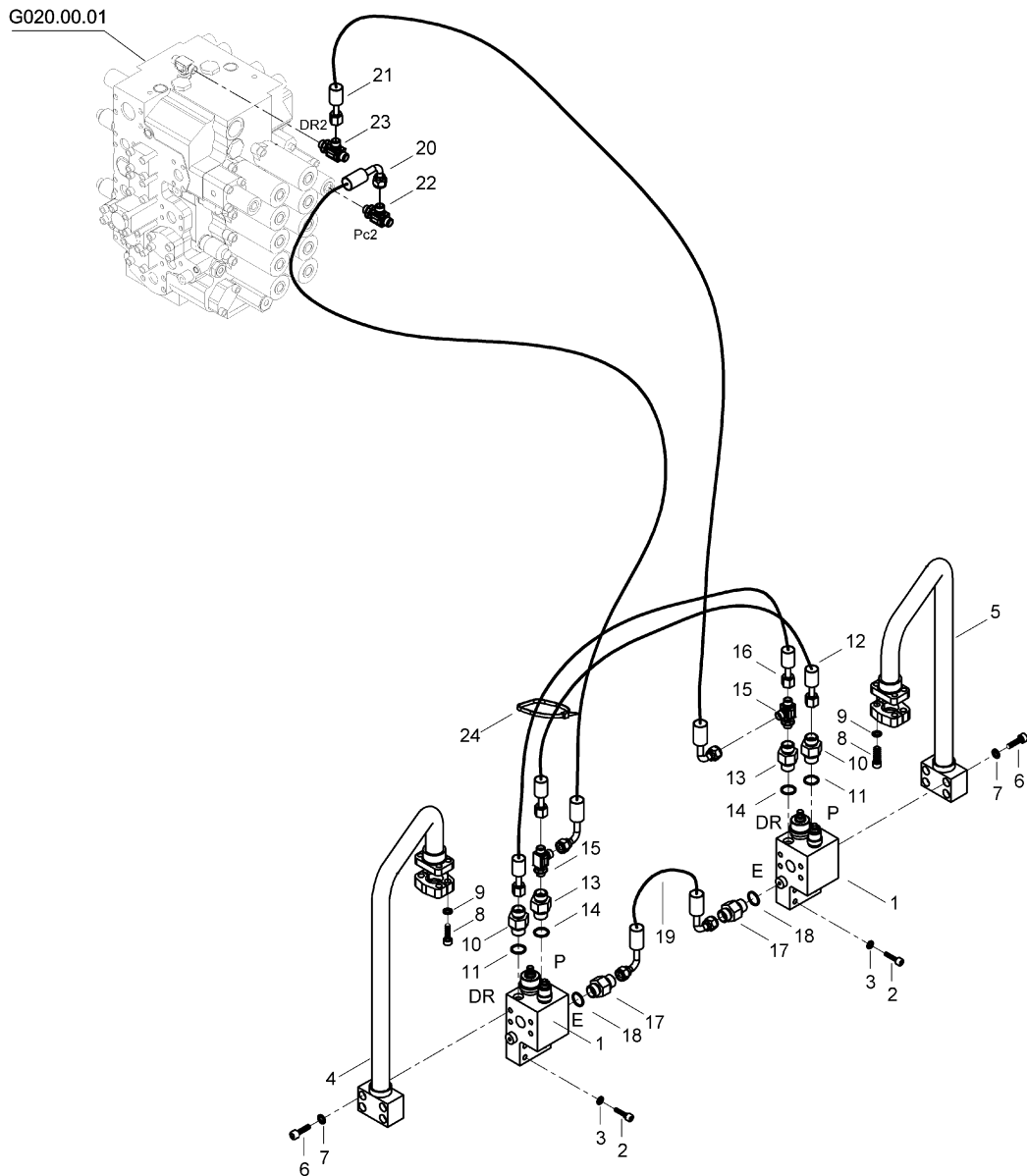
**ATAŞMAN GRESLEME SİSTEMİ (3.07m)**  
**ATTACHMENT GREASE LUB SYSTEM (3.07m)**



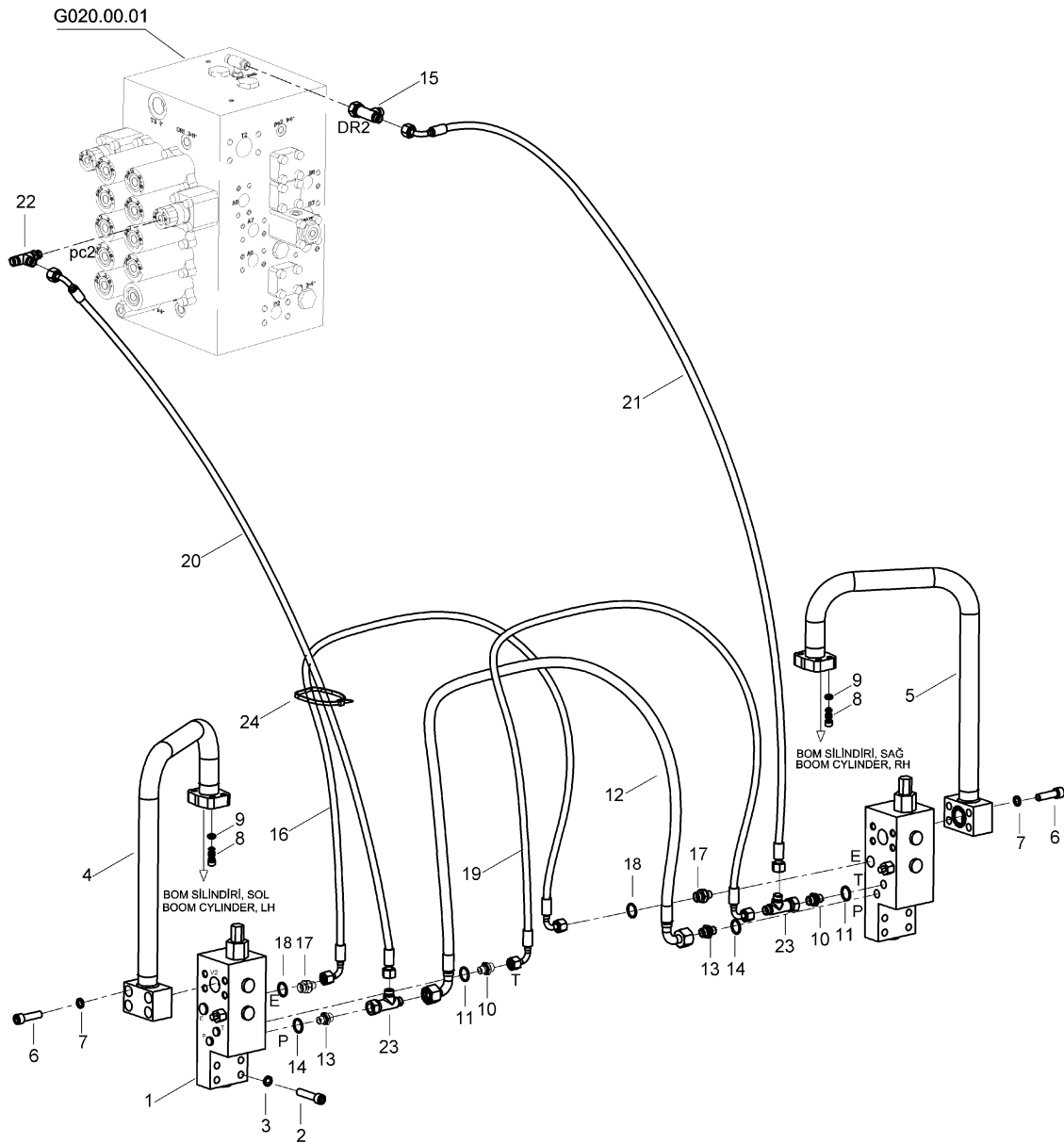
**ATAŞMAN GRESLEME SİSTEMİ (7.8m, LR)**  
**ATTACHMENT GREASE LUB SYSTEM (7.8m, LR)**

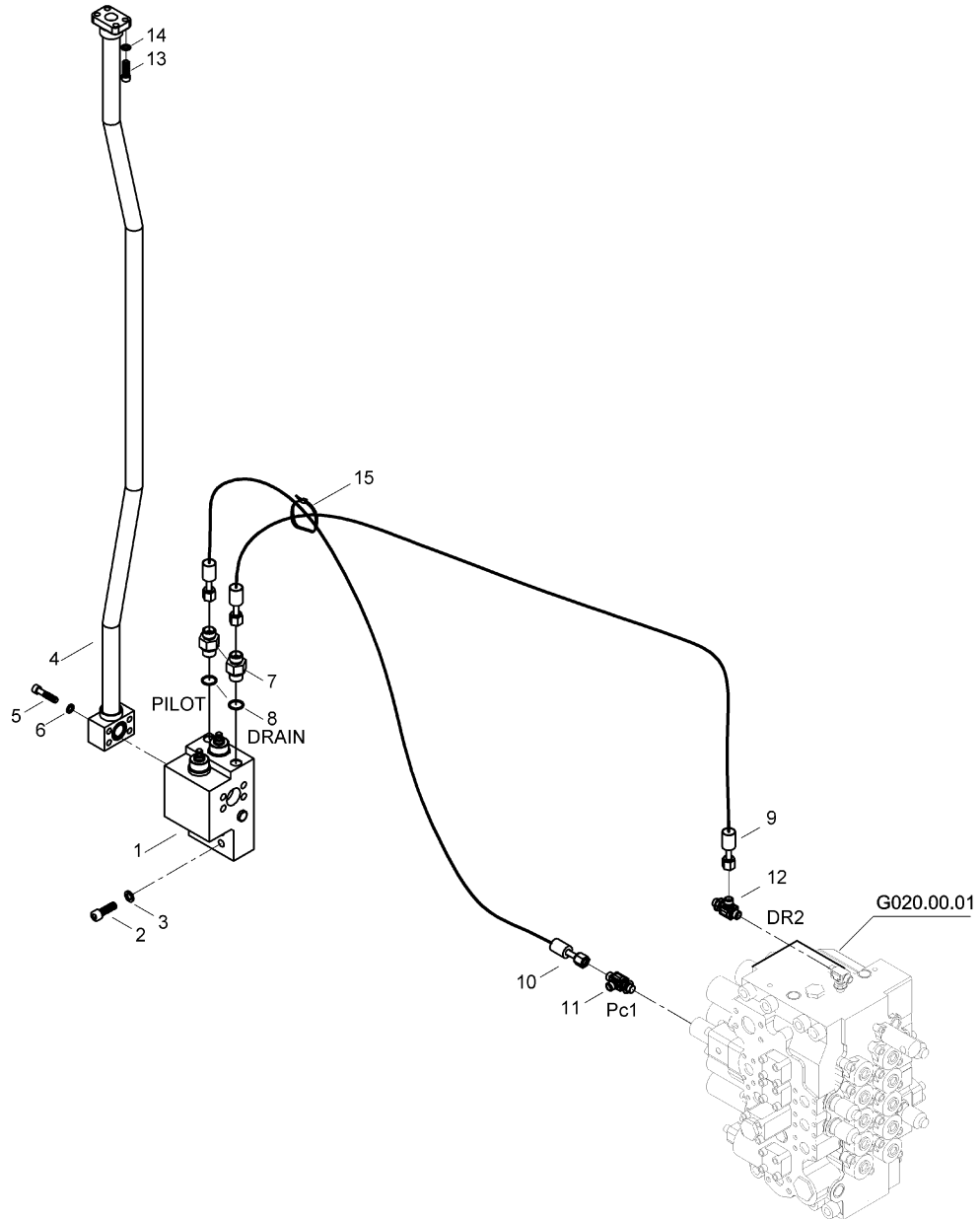


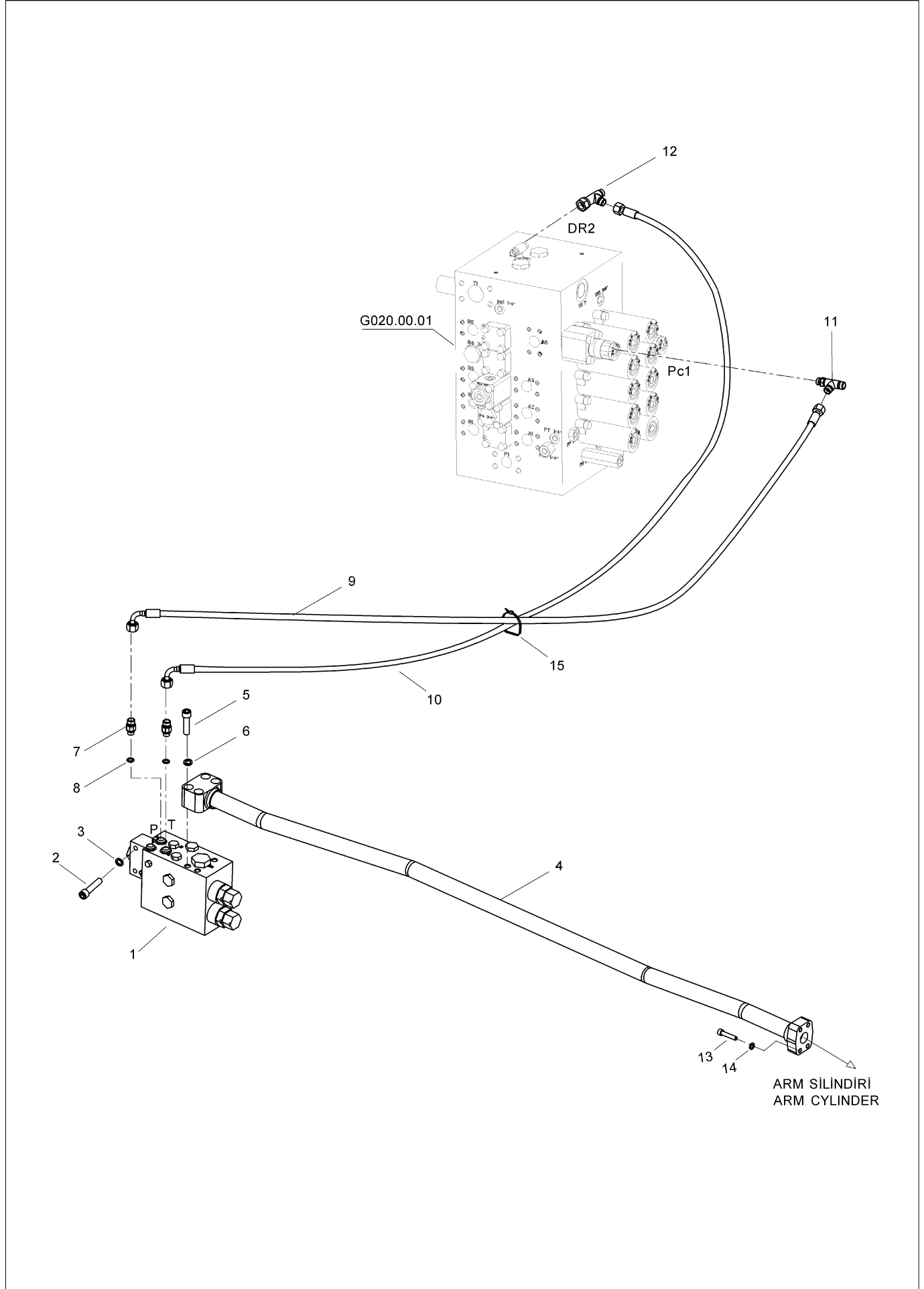
**BOM EMNİYET VALFİ SİSTEMİ (OP)**  
**BOOM SAFETY LOCK SYSTEM (OP)**



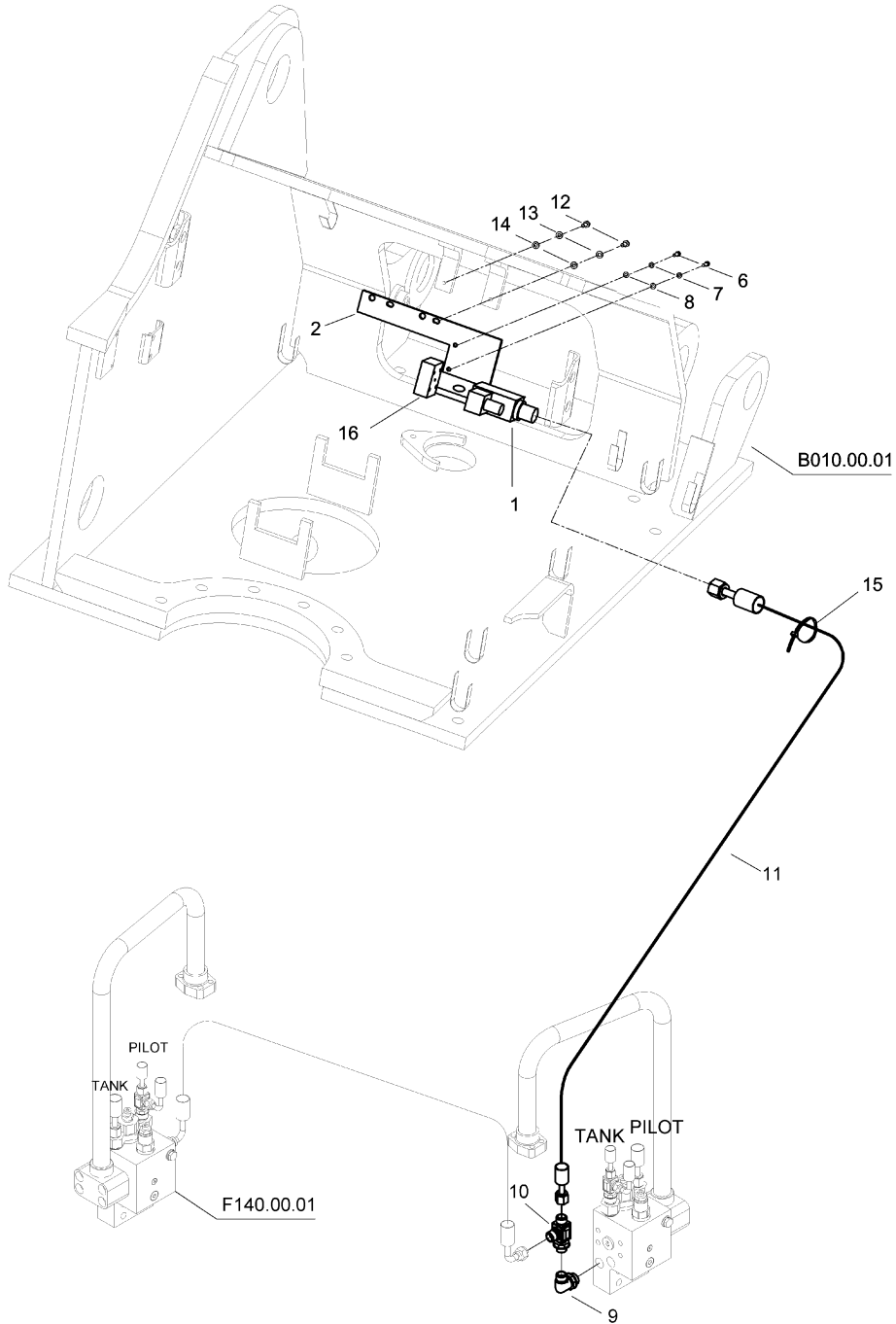
**BOM EMNİYET VALFİ SİSTEMİ (OP)**  
**BOOM SAFETY LOCK SYSTEM (OP)**



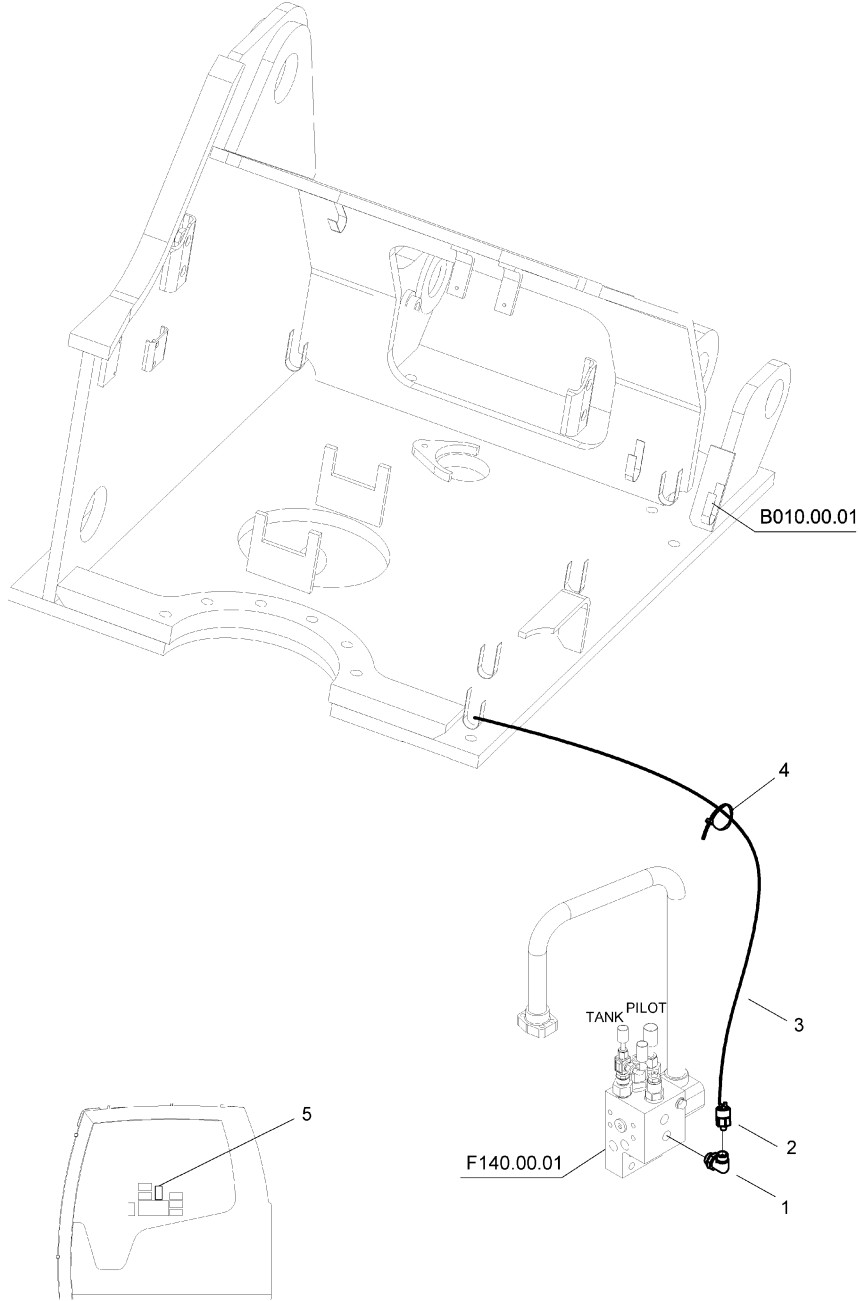
**ARM EMNİYET VALFİ SİSTEMİ (OP)**  
**ARM SAFETY LOCK SYSTEM (OP)**

**ARM EMNİYET VALFİ SİSTEMİ (OP)**  
**ARM SAFETY LOCK SYSTEM (OP)**

**AŞIRI YÜK UYARI SİSTEMİ (EMNİYET VALFLİ, OP)**  
**OVERLOAD WARNING SYSTEM (WITH RELIEF VALVE, OP)**

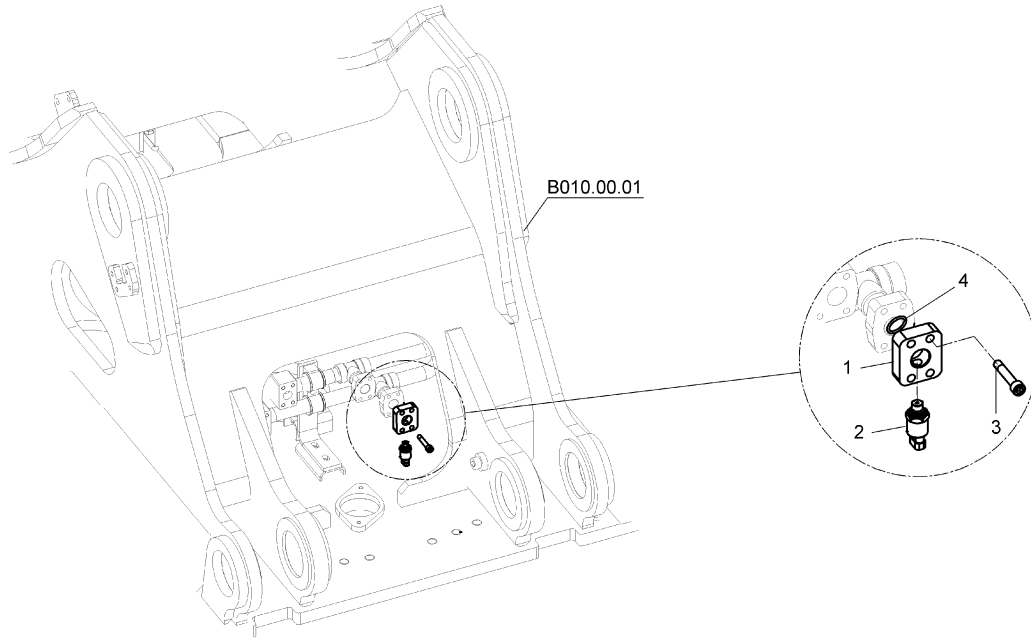


**AŞIRI YÜK UYARI SİSTEMİ (EMNİYET VALFLİ, OP)**  
**OVERLOAD WARNING SYSTEM (WITH RELIEF VALVE, OP)**

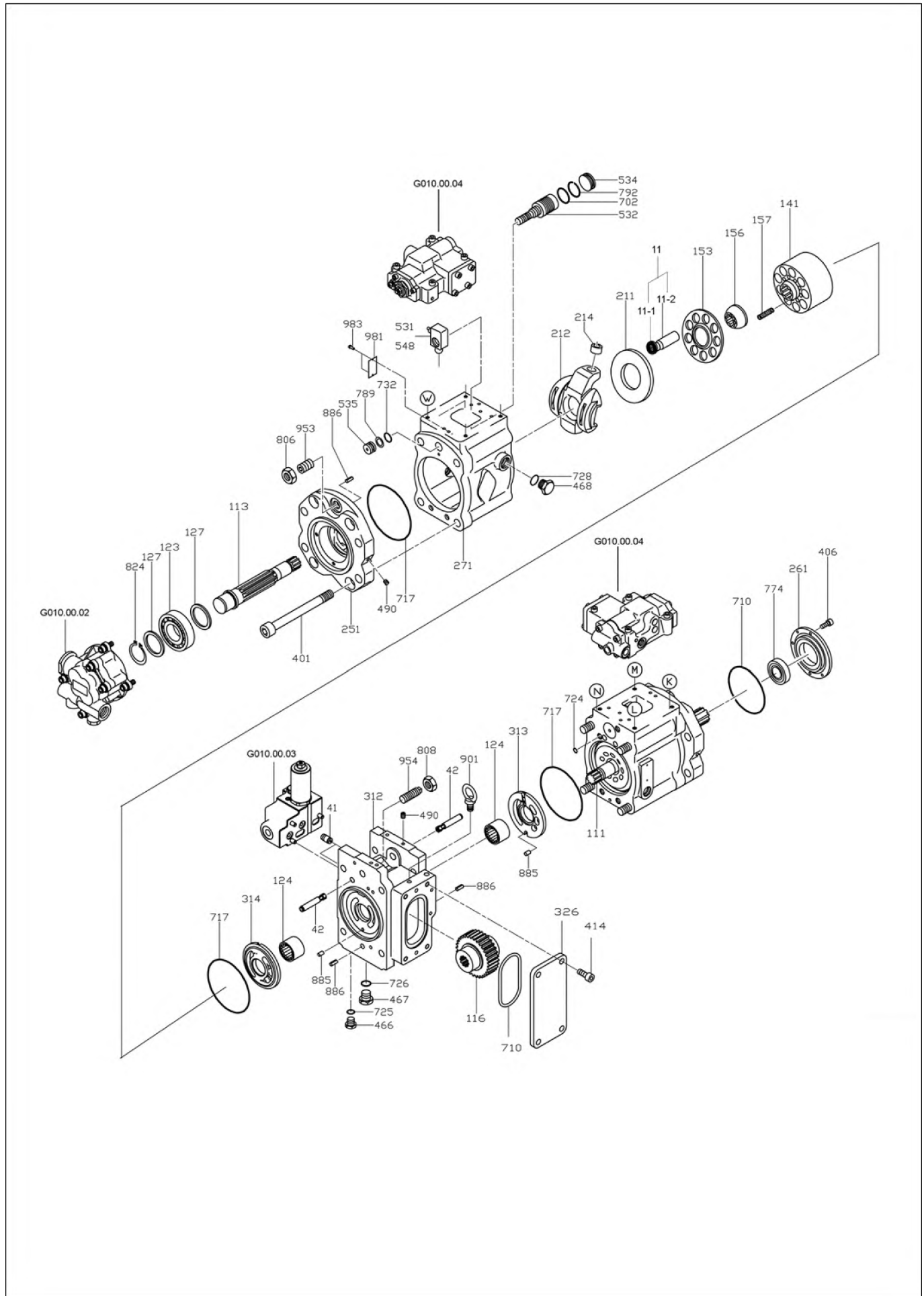




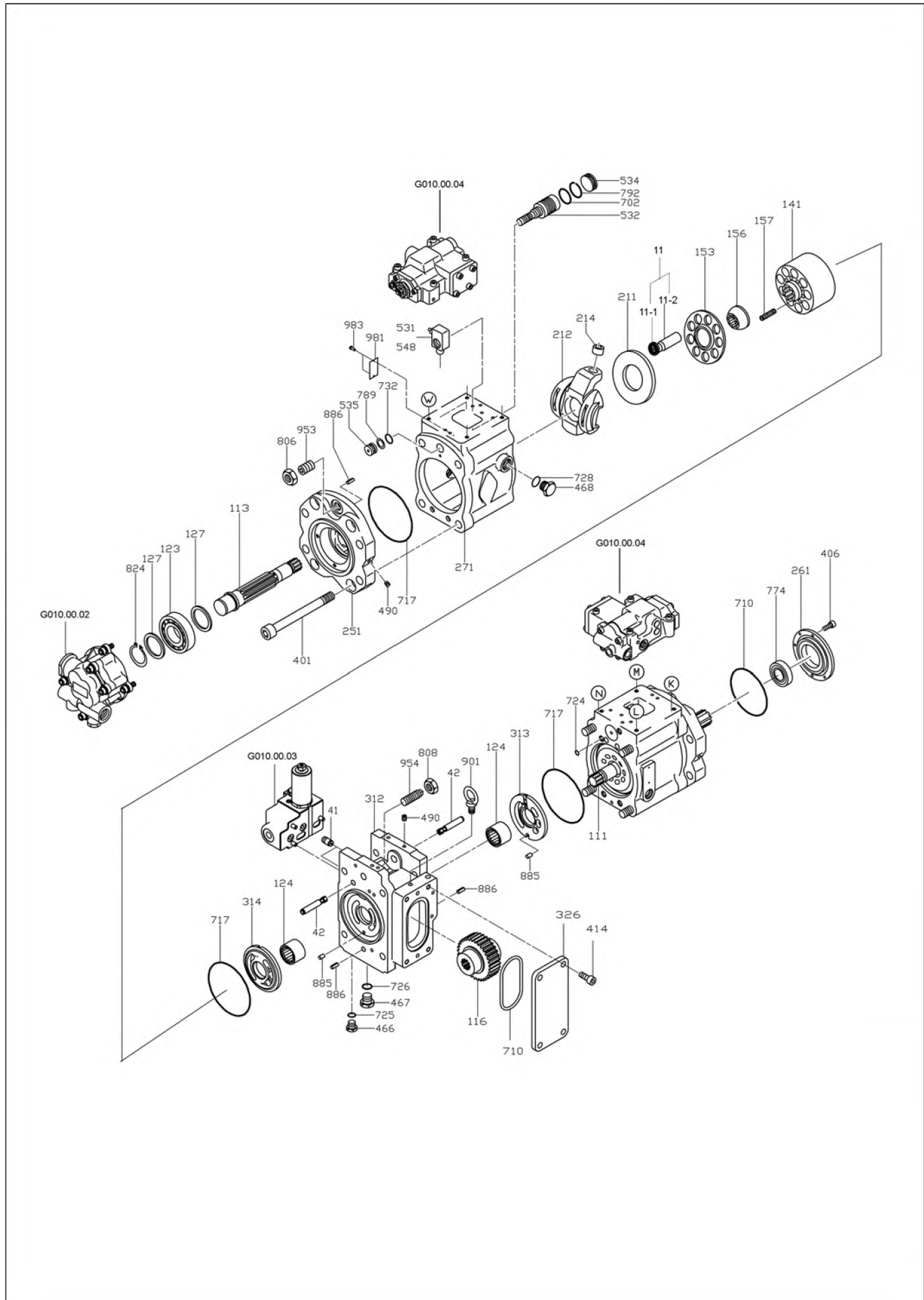
**AŞIRI YÜK UYARI SİSTEMİ (EMNİYET VALFSİZ, OP)**  
**OVERLOAD WARNING SYSTEM (WITHOUT RELIEF VALVE, OP)**



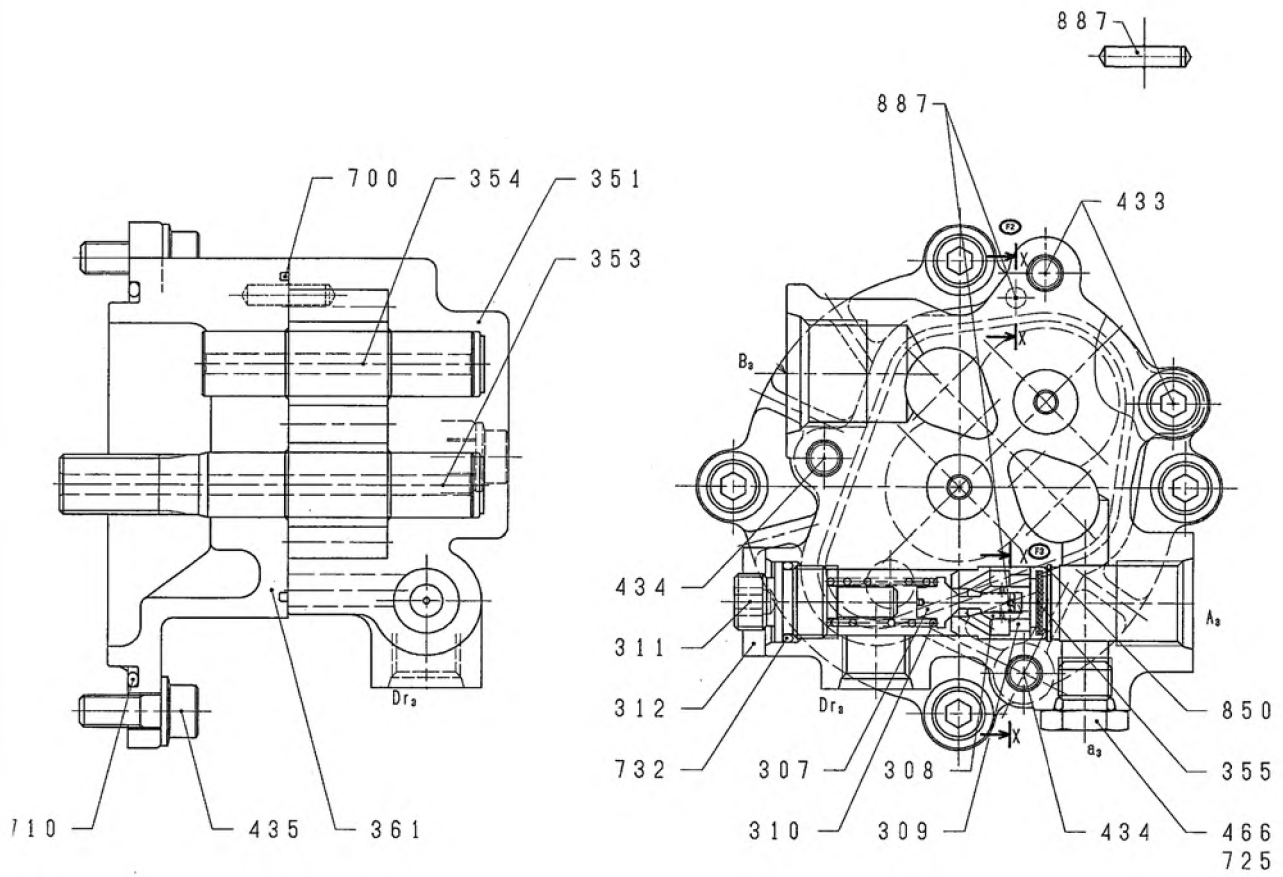
**HİDROLİK POMPA  
HYDRAULIC PUMP**



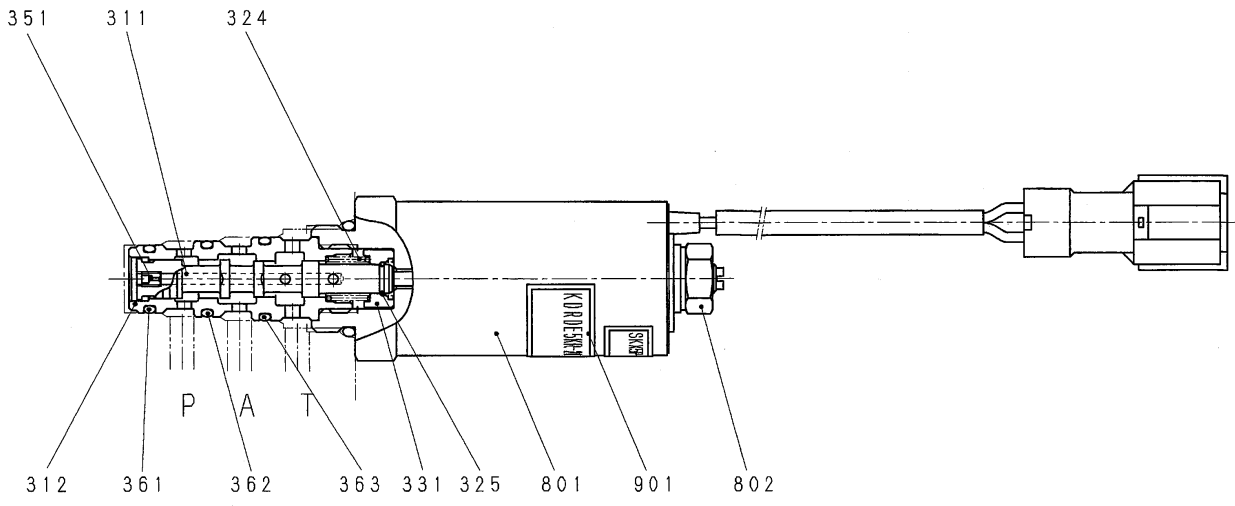
# HİDROLİK POMPA HYDRAULIC PUMP



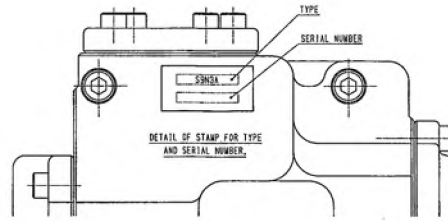
**DIŞLİ POMPA, PİLOT**  
**GEAR PUMP, PILOT**



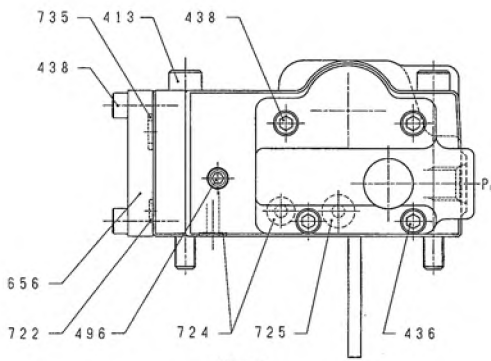
# ORANSAL BASINÇ KONTROL VALFİ PROPORTIONAL REDUCING VALVE



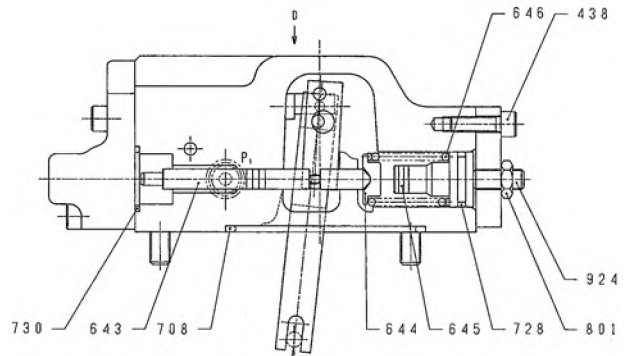
# POMPA REGÜLATÖRÜ PUMP REGULATOR



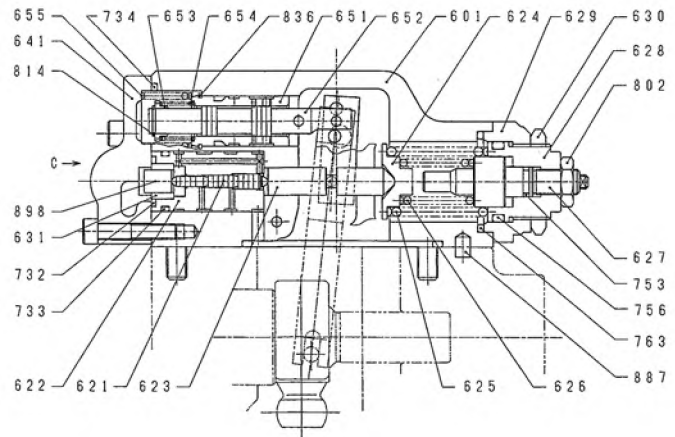
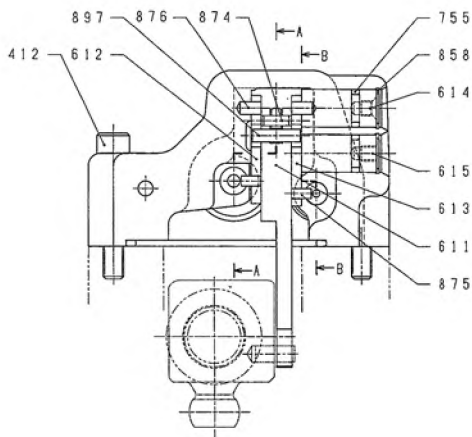
VIEW D



VIEW C

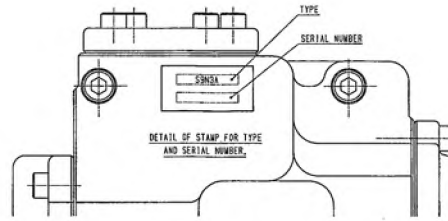


SECTION B-B

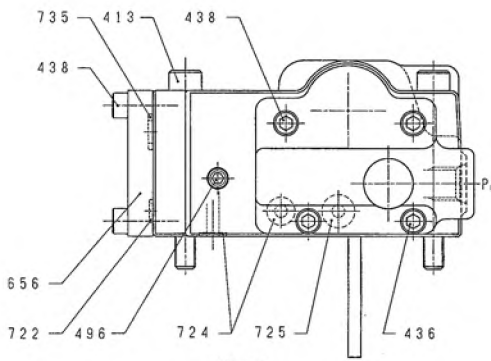


SECTION A-A

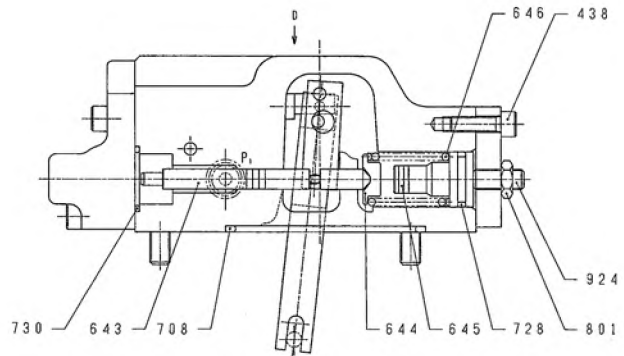
# POMPA REGÜLATÖRÜ PUMP REGULATOR



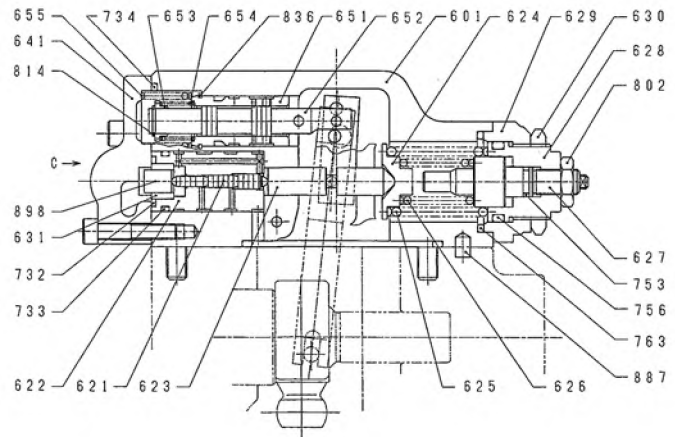
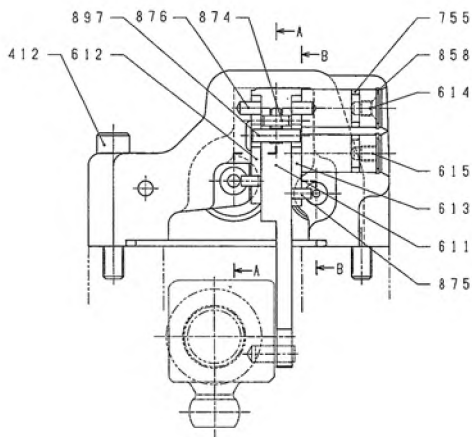
VIEW D



VIEW C

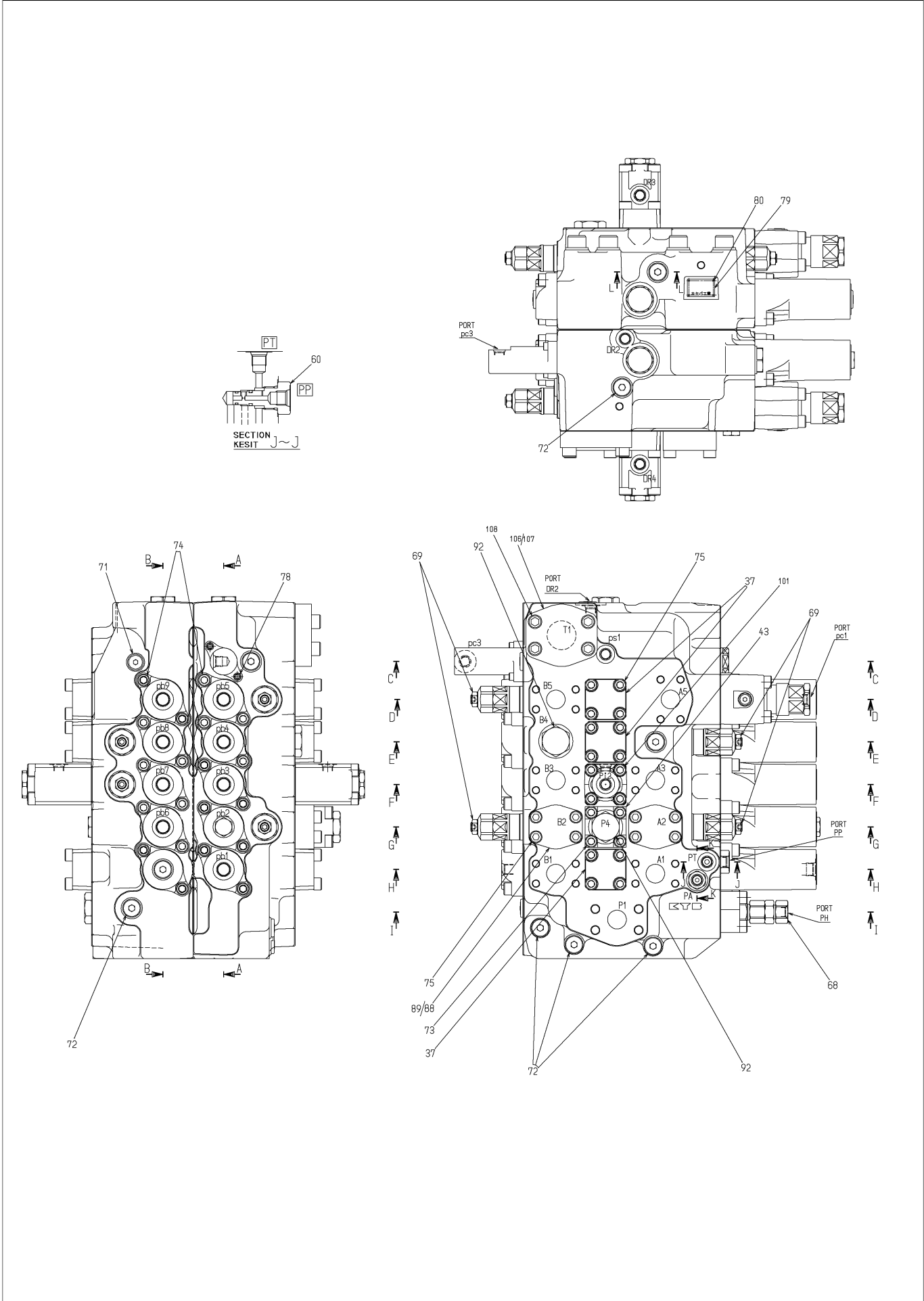


SECTION B-B



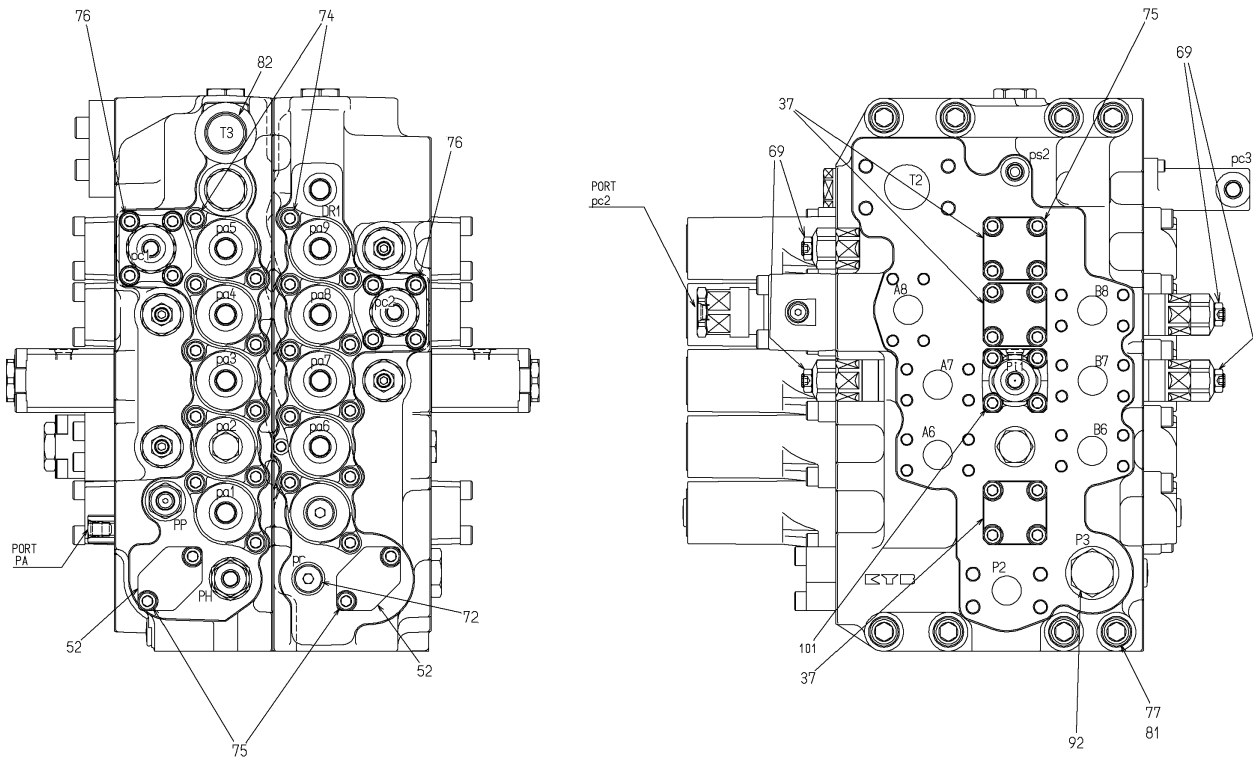
SECTION A-A

# ANA KUMANDA VALFİ (1) MAIN CONTROL VALVE (1)

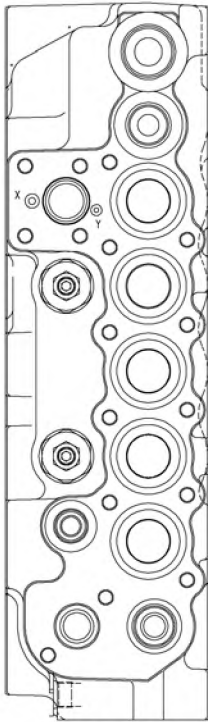
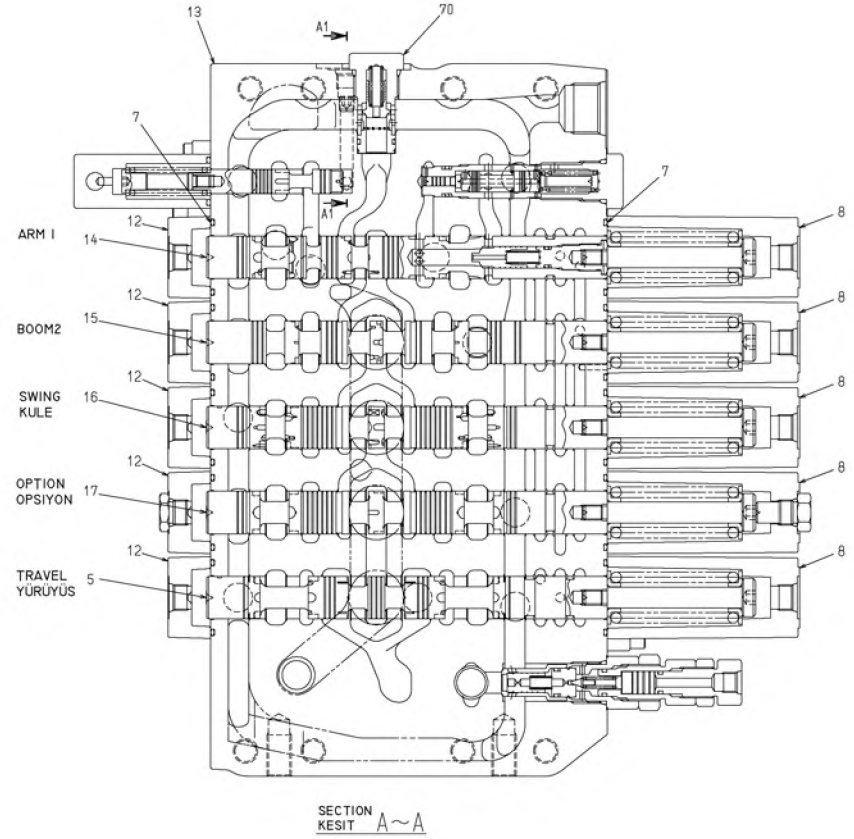




### ANA KUMANDA VALFİ (2) MAIN CONTROL VALVE (2)



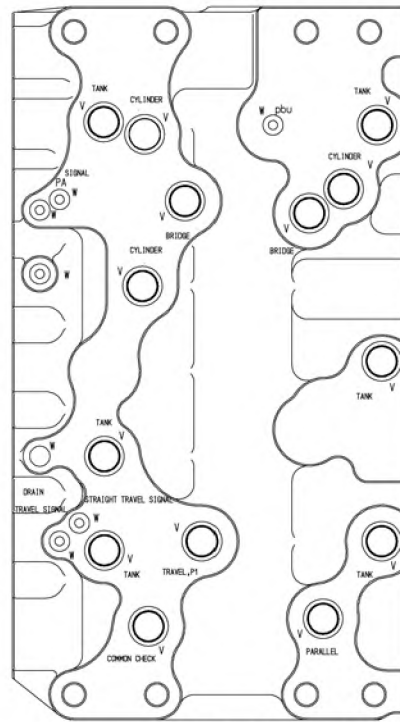
## ANA KUMANDA VALFİ (3) MAIN CONTROL VALVE (3)



PILOT CAP JOINT SECTION  
O-RING DETAILS (PI SIDE)

PILOT KAPAGI BAĞLANTI KESİTİ  
O-RING DETAYI (PI TARAFI)

X — 41 (1)  
Y — 42 (1)



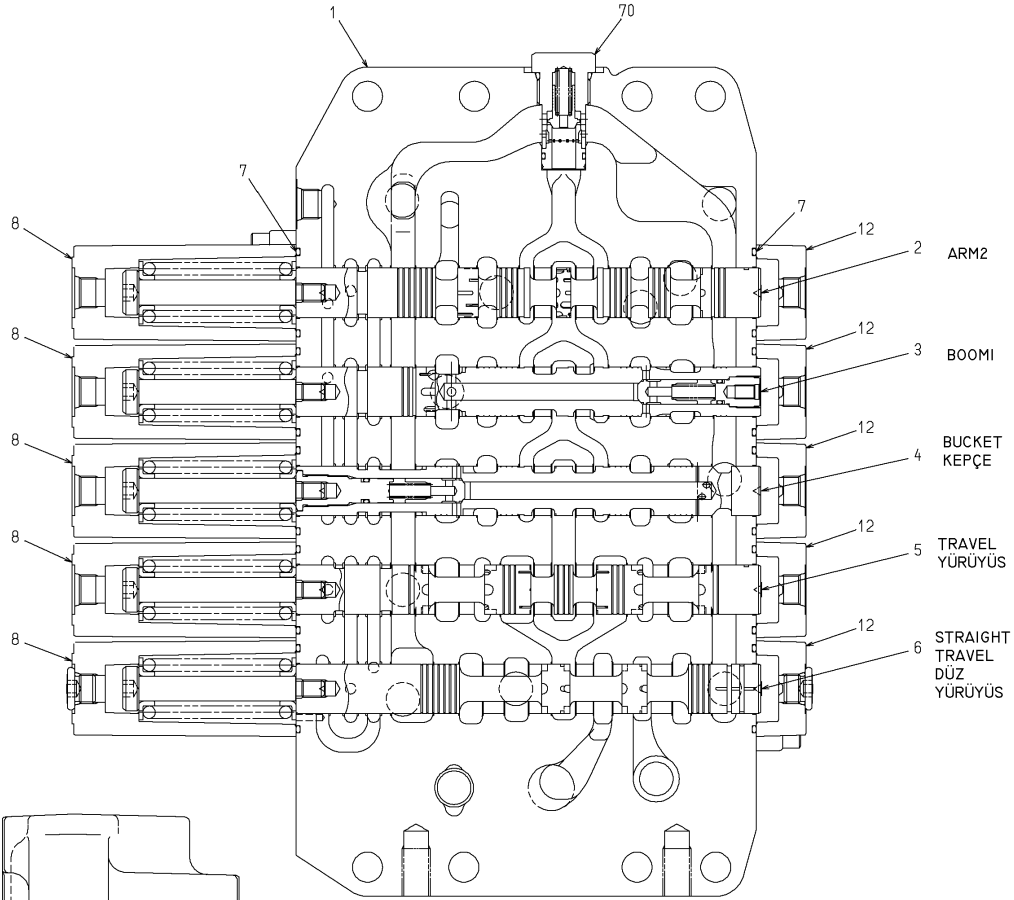
VALVE HOUSING JOINT SECTION  
O-RING DETAILS (PI SIDE)

VALVE GÖVDESİ BAĞLANTI  
KESİTİ  
O-RING DETAYLARI (PI TARAFI)

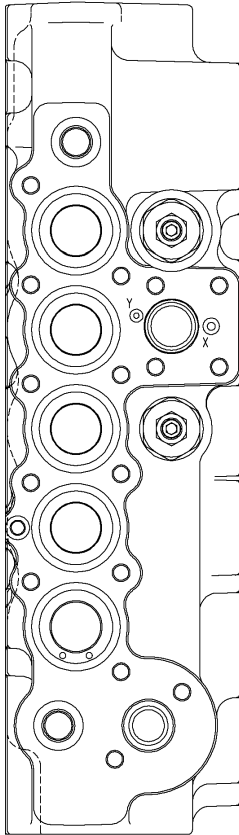
O-RING DETAYLARI (PI TARAFI)

V — 65 (14)  
W — 66 (7)

## ANA KUMANDA VALFİ (4) MAIN CONTROL VALVE (4)



SECTION  
KESİT B~B

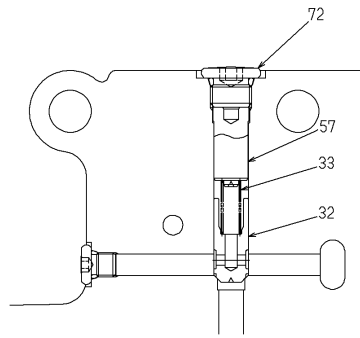


PILOT CAP JOINT SECTION  
O-RING DETAILS (P2 SIDE)

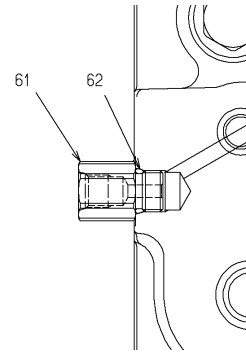
PILOT KAPAGI BAĞLANTI KESİTİ  
O-RING DETAYLARI (P2 TARAFI)

X — 41 (1)

Y — 42 (1)

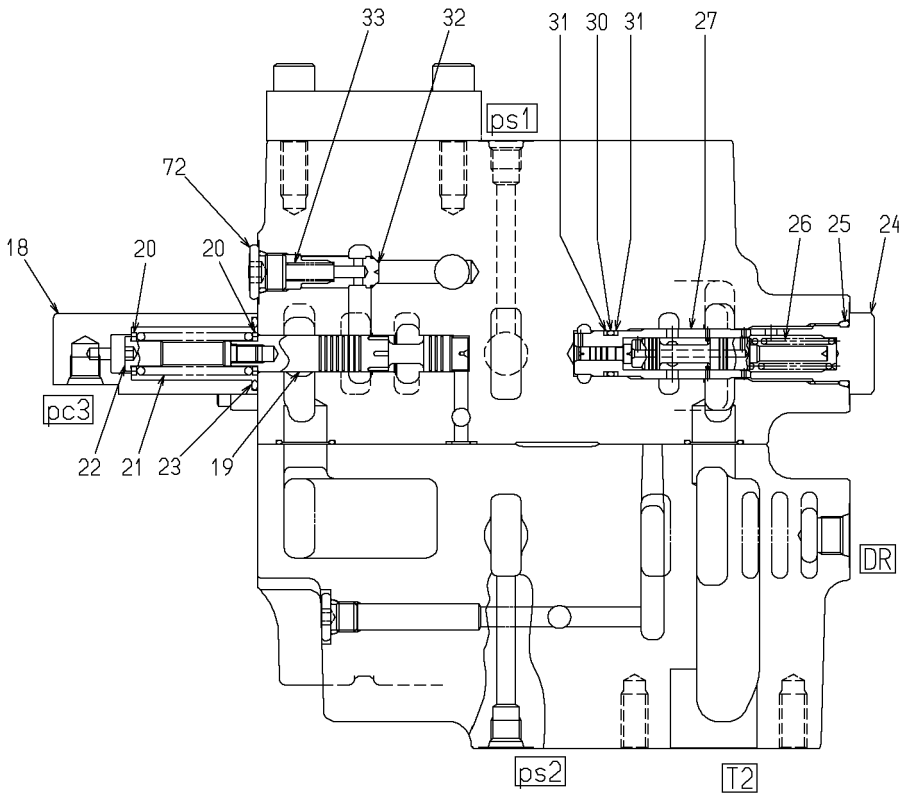


SECTION  
KESİT L~L

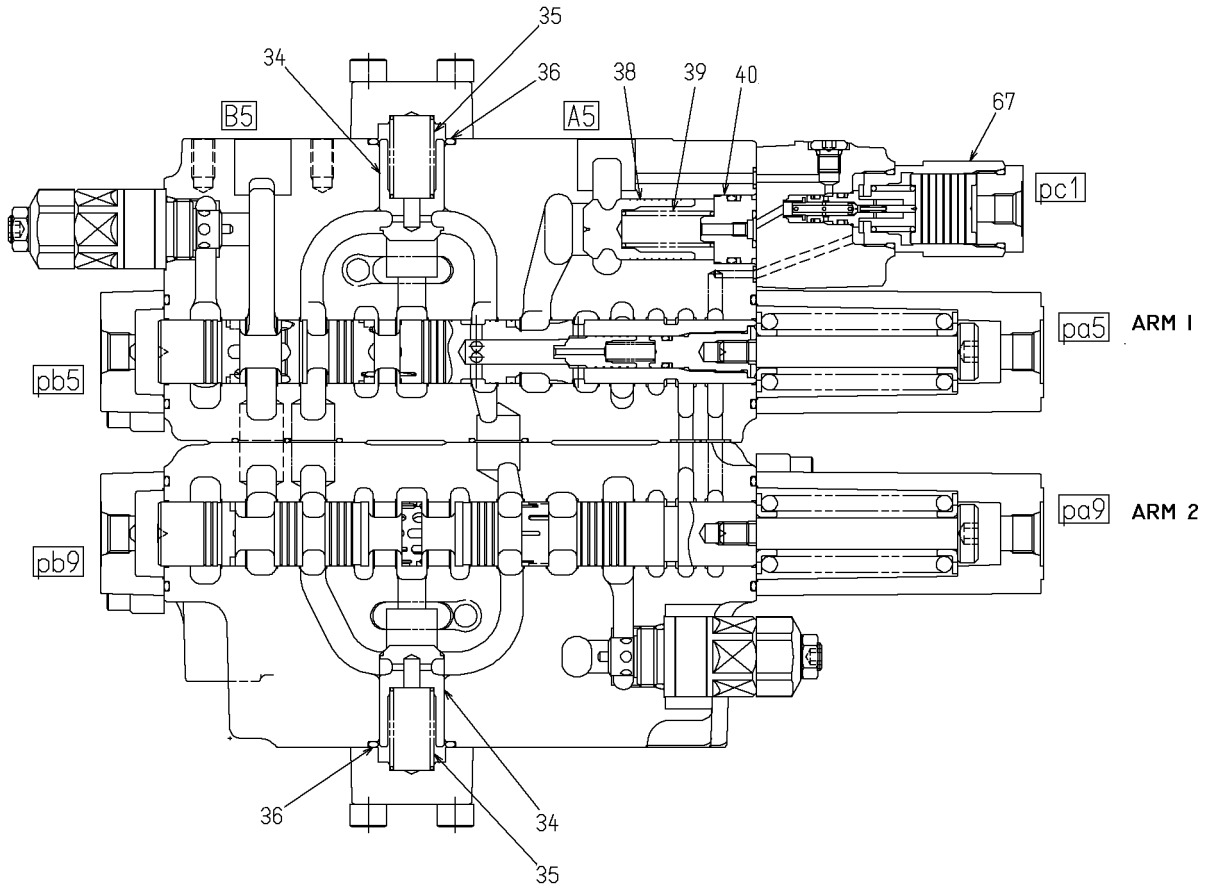


SECTION  
KESİT K~K

**ANA KUMANDA VALFİ (5)**  
**MAIN CONTROL VALVE (5)**

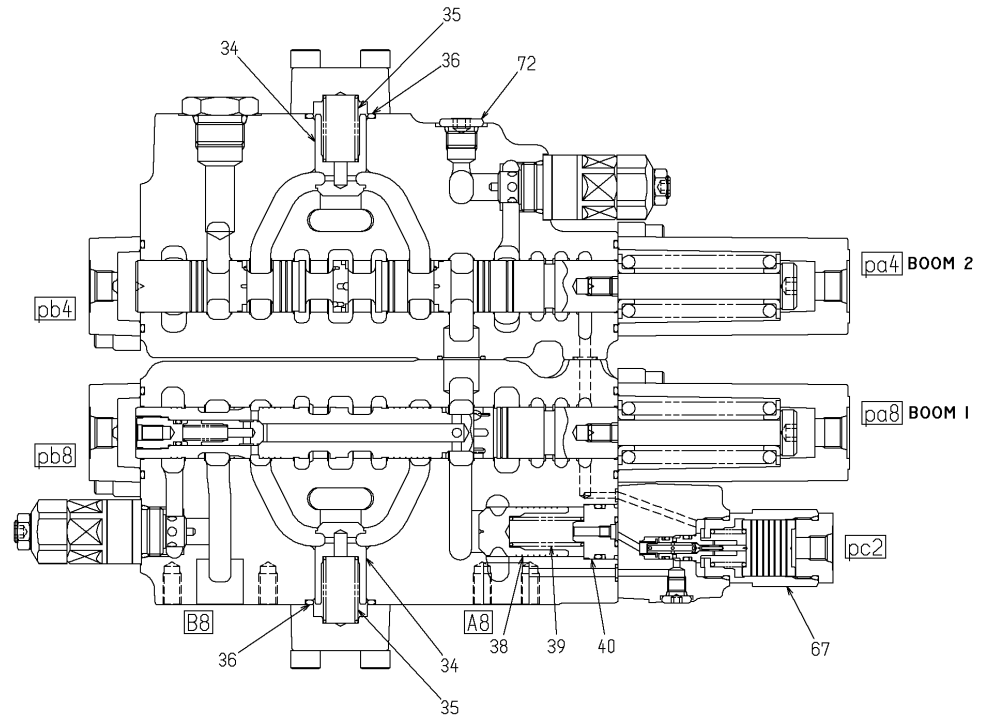


SECTION  
 KESİT C~C

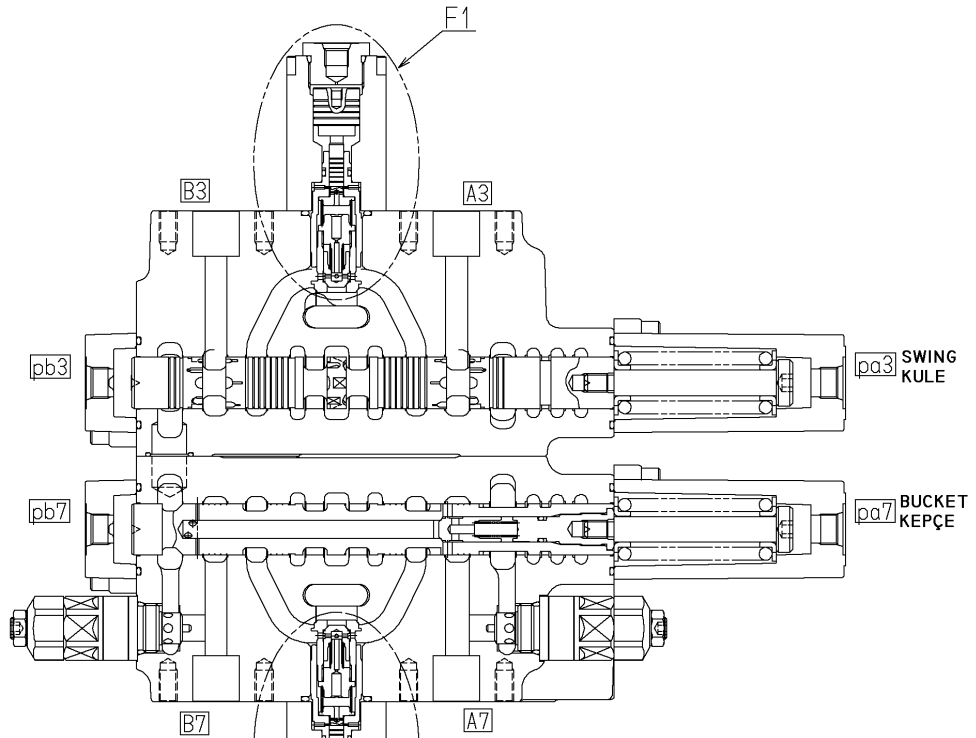


SECTION  
 KESİT D~D

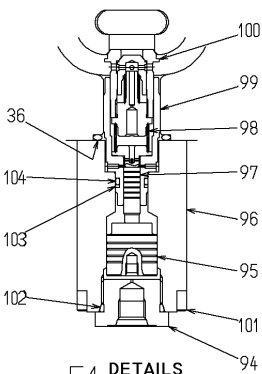
### ANA KUMANDA VALFİ (6) MAIN CONTROL VALVE (6)



SECTION  
KESİT E~E

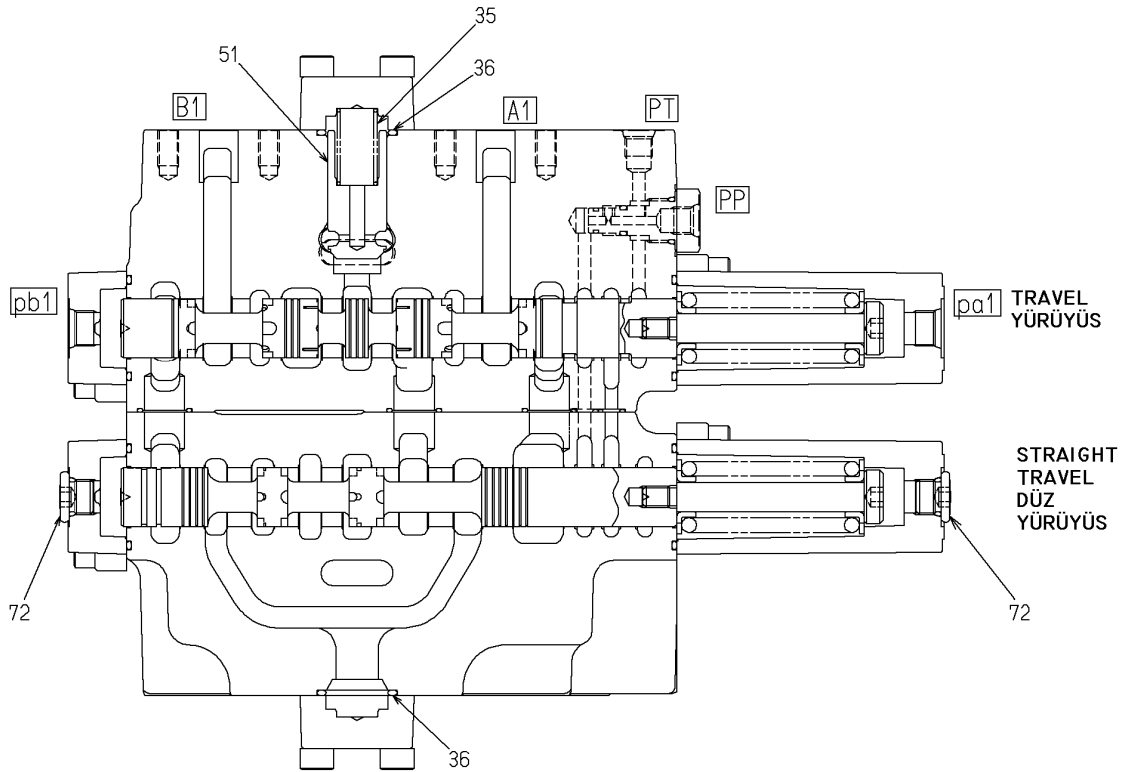
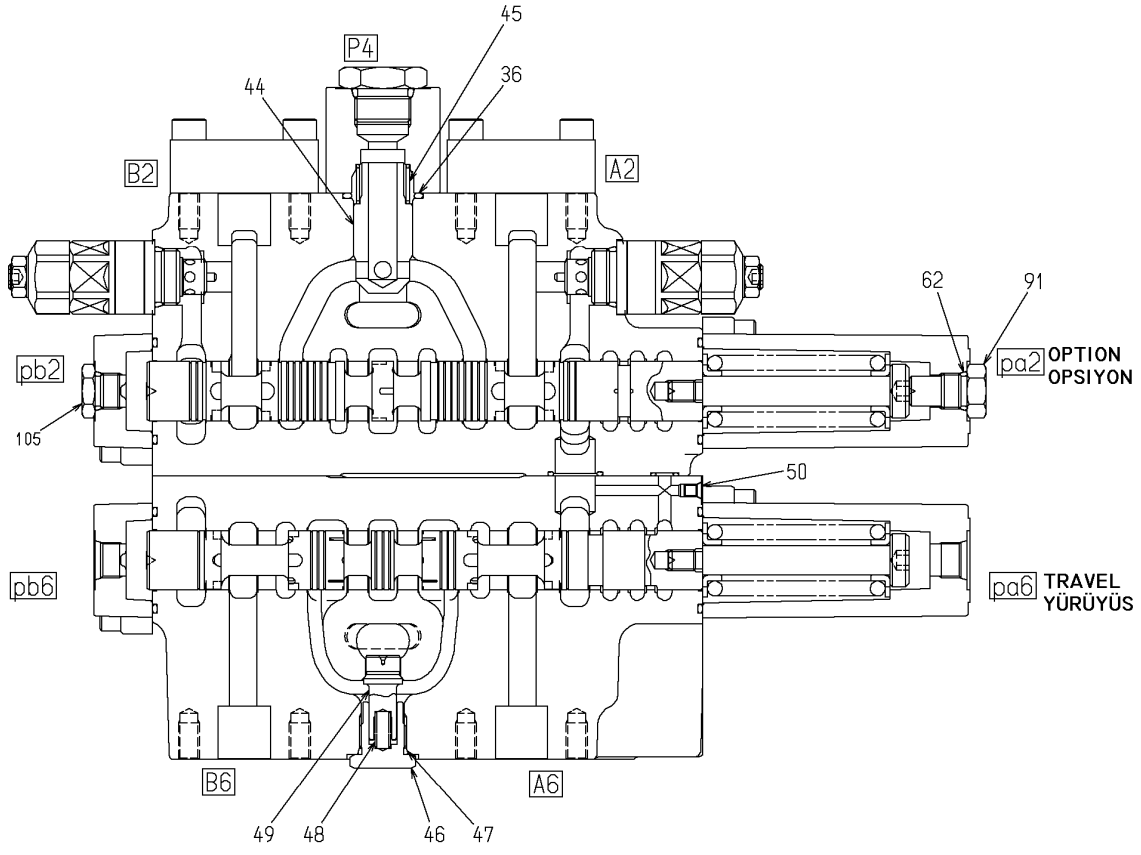


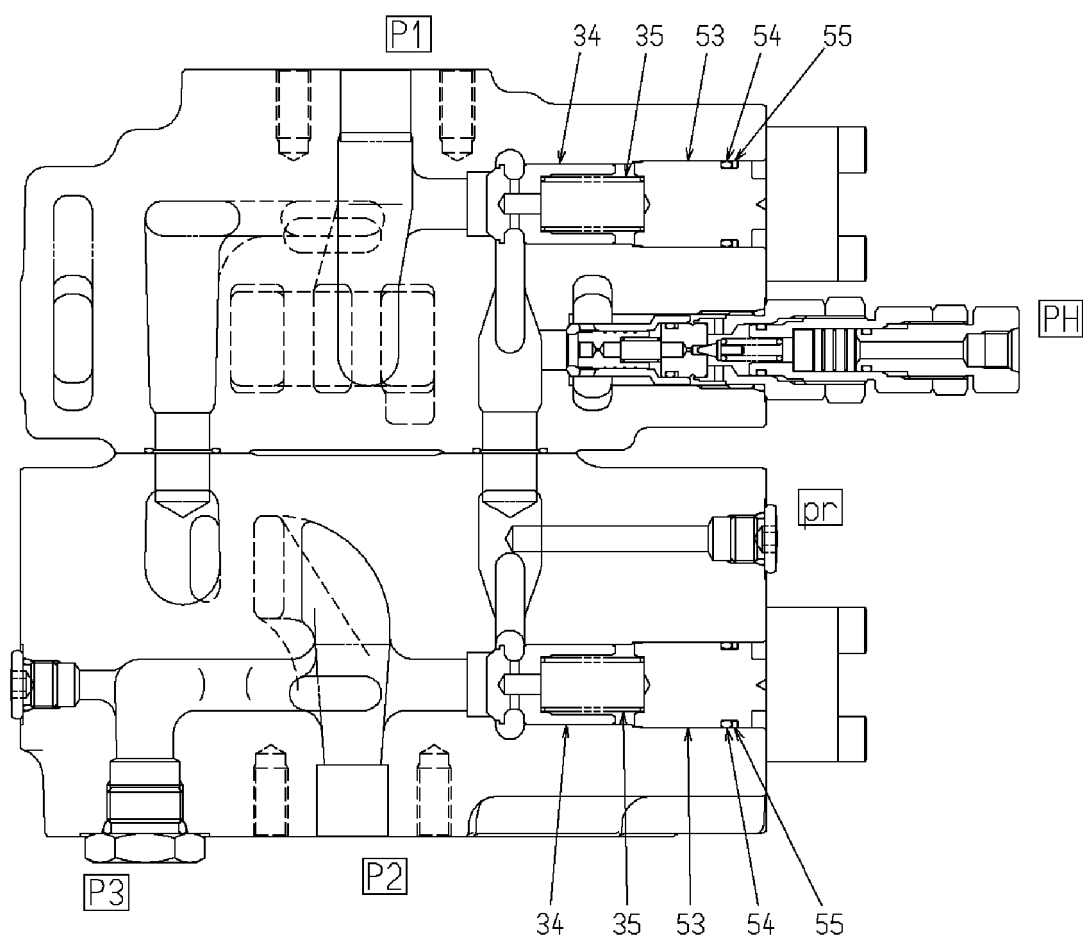
SECTION  
KESİT F~F



F1 DETAILS  
DETAYI  
(2)

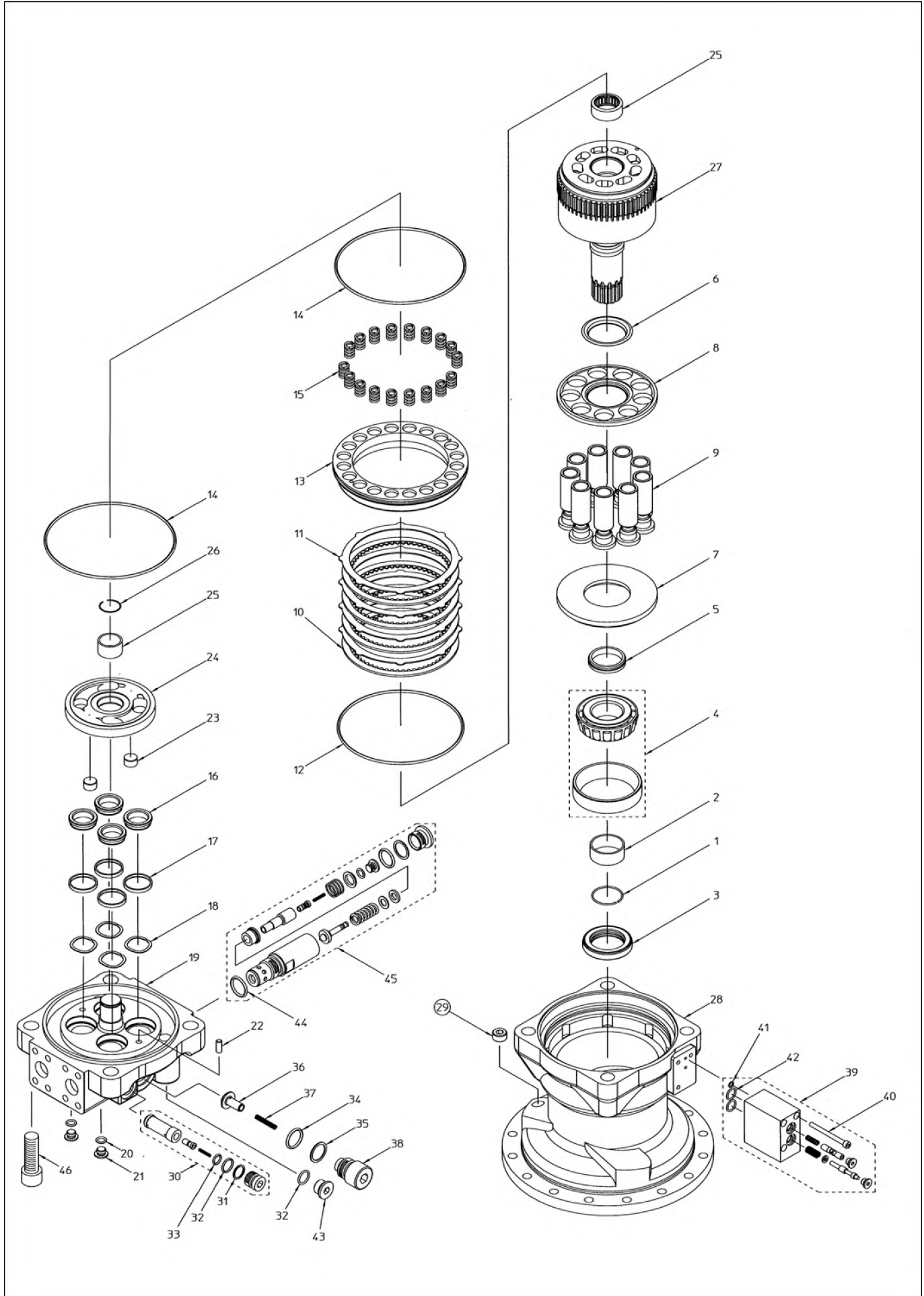
**ANA KUMANDA VALFİ (7)**  
**MAIN CONTROL VALVE (7)**



**ANA KUMANDA VALFİ (8)**  
**MAIN CONTROL VALVE (8)**

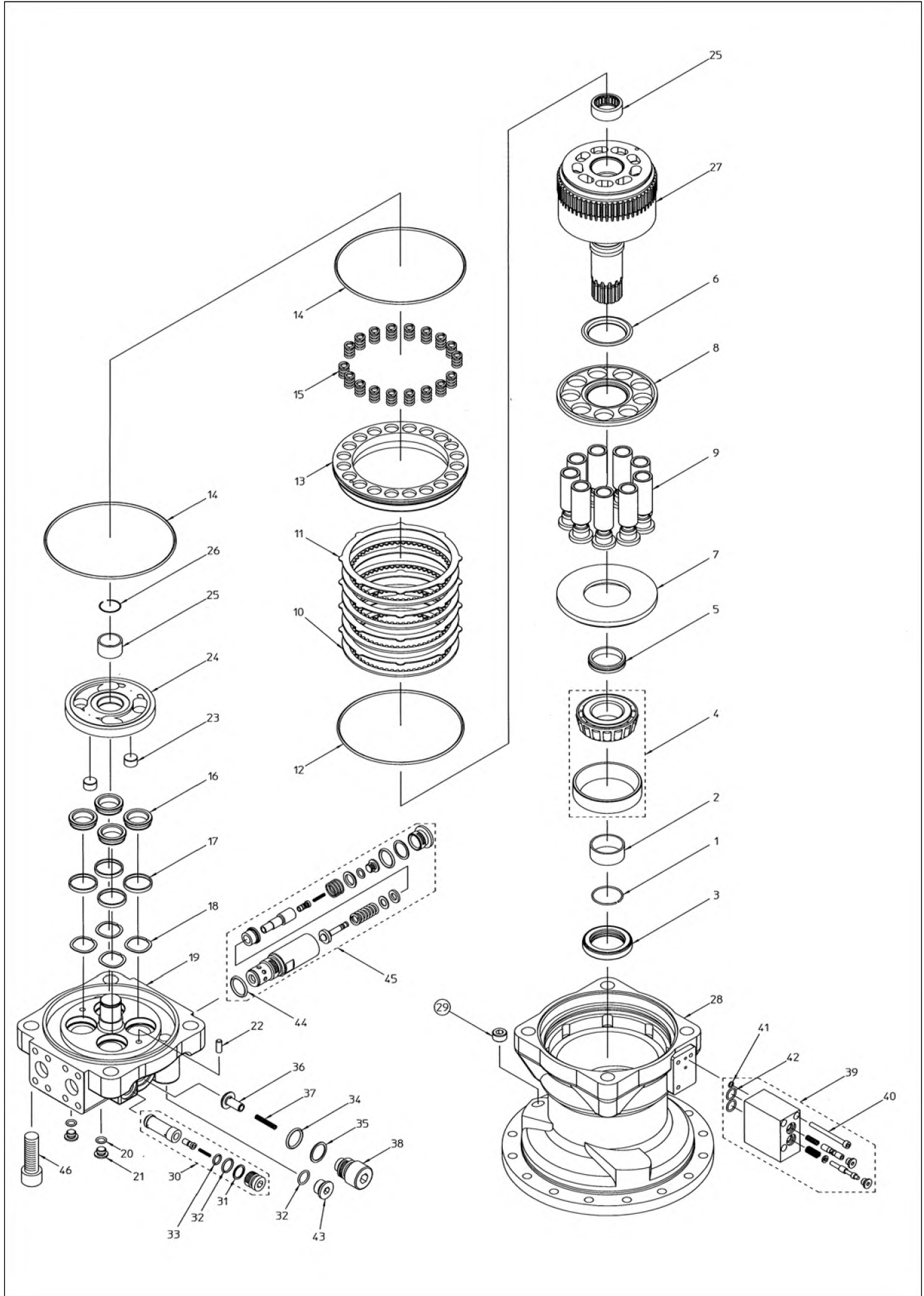
SECTION  
断面 I~I

**KULE DÖNÜŞ ÜNİTESİ, MOTOR**  
**SWING UNIT, MOTOR**

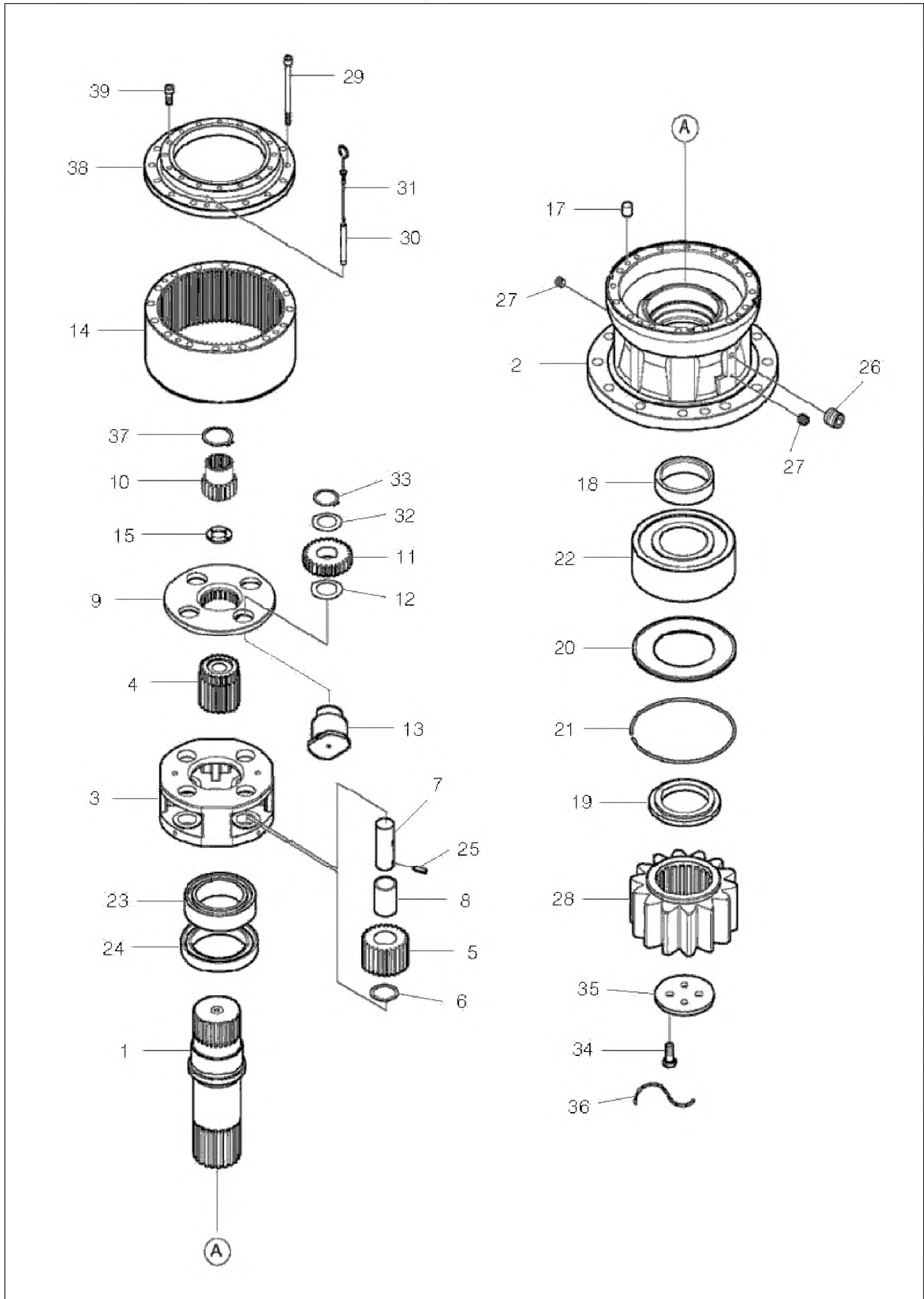




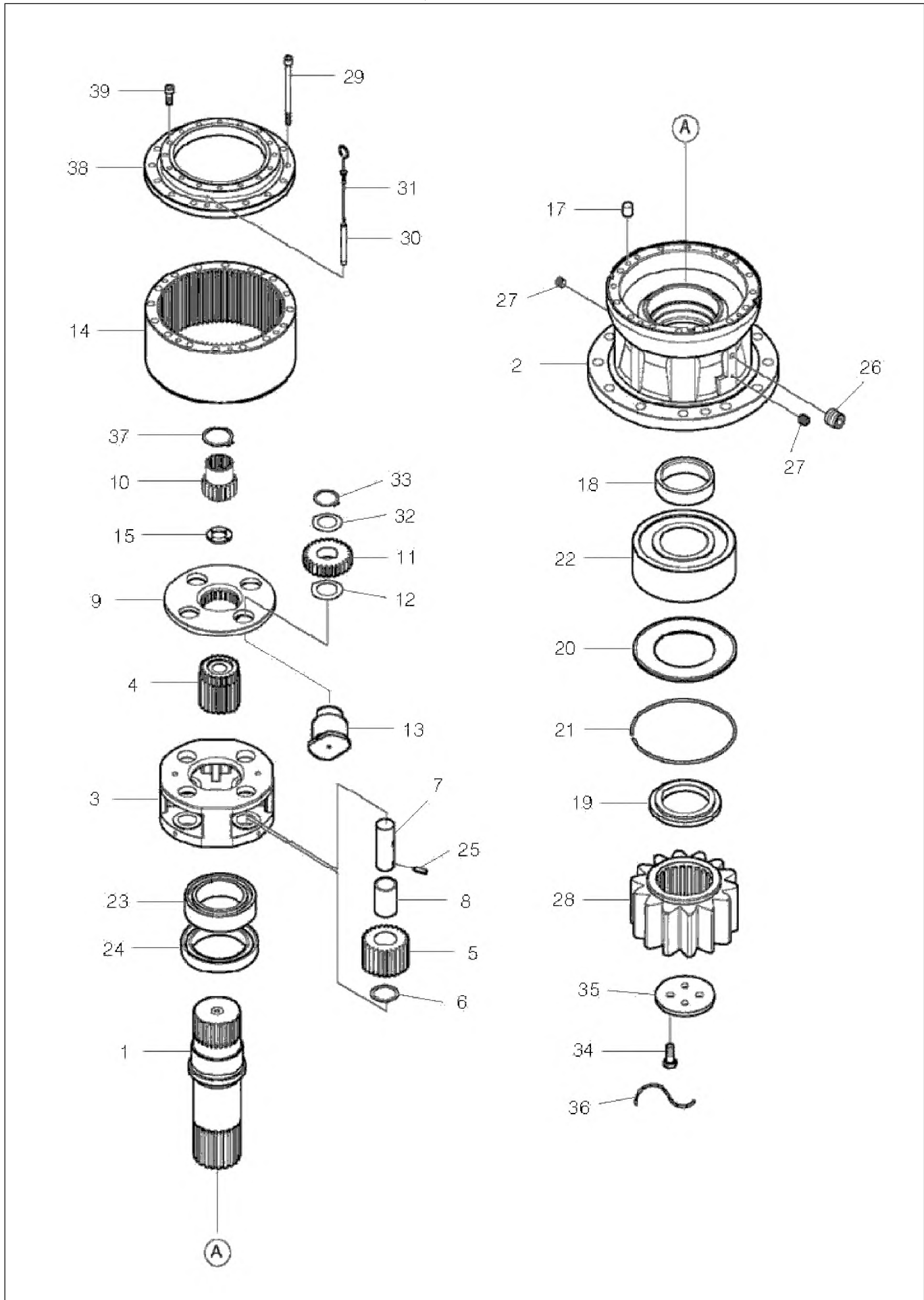
KULE DÖNÜŞ ÜNİTESİ, MOTOR  
 SWING UNIT, MOTOR



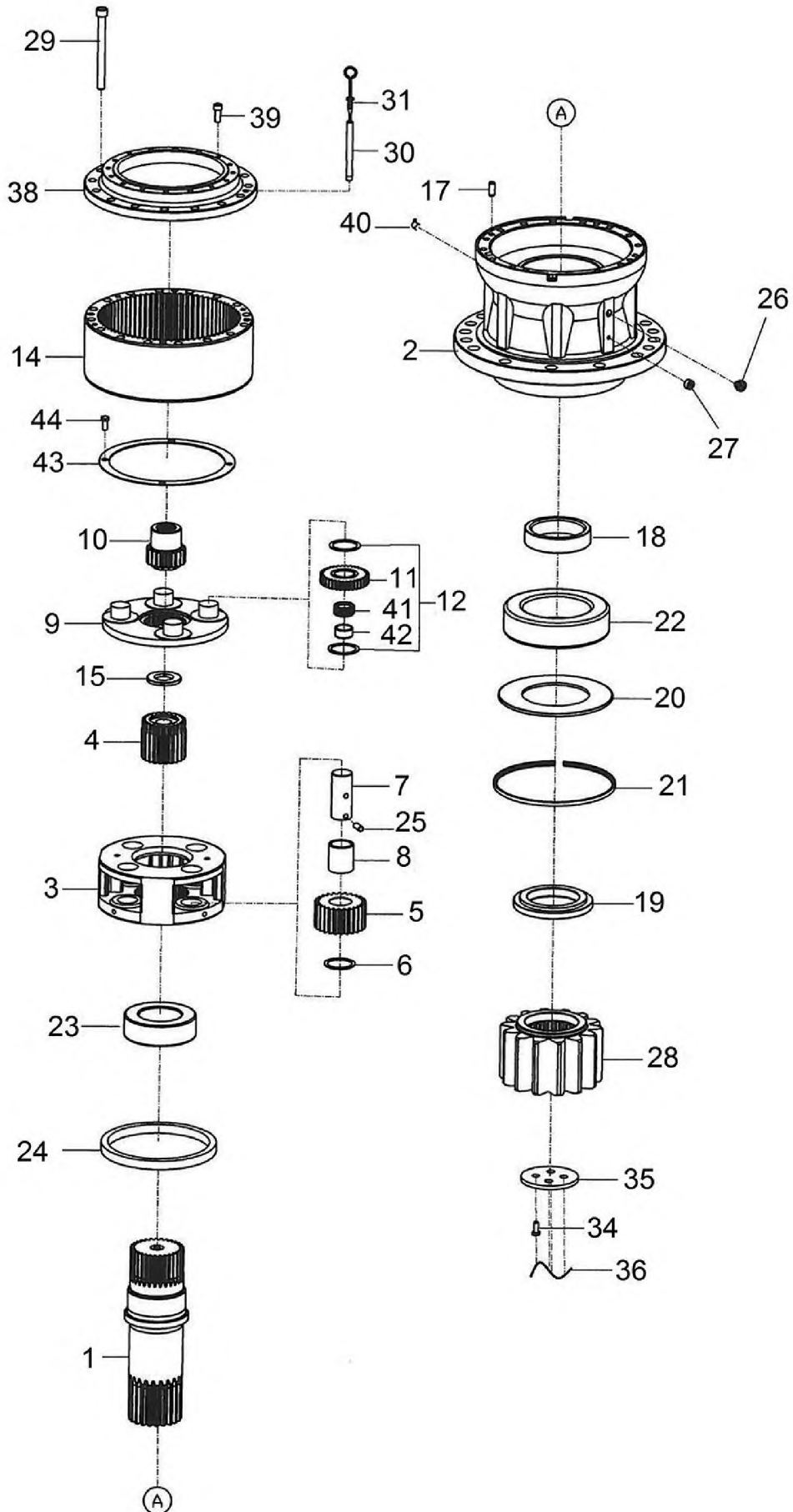
## KULE DÖNÜŞ ÜNİTESİ, DIŞLI KUTUSU SWING UNIT, REDUCTION GEAR



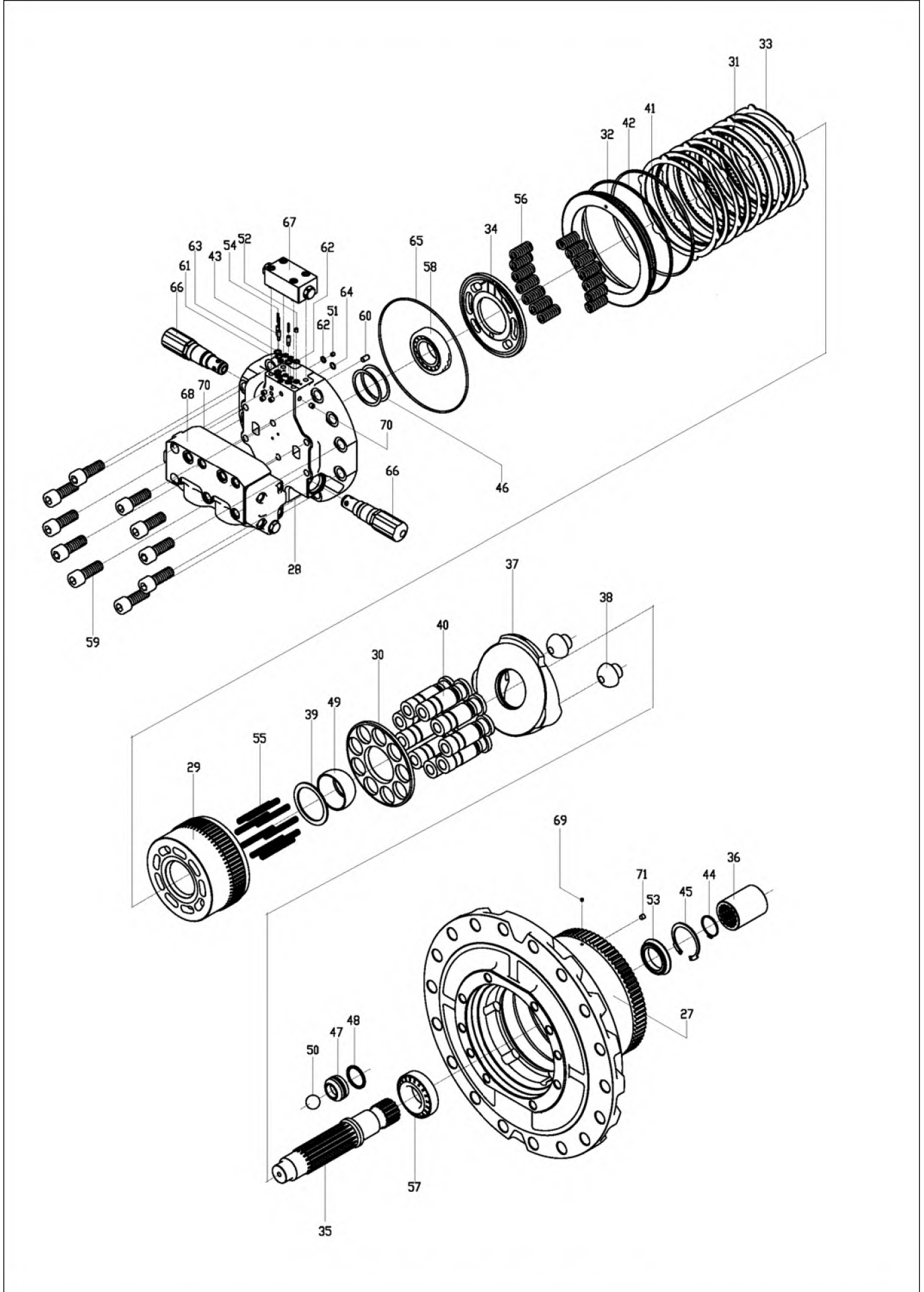
## KULE DÖNÜŞ ÜNİTESİ, DIŞLI KUTUSU SWING UNIT, REDUCTION GEAR



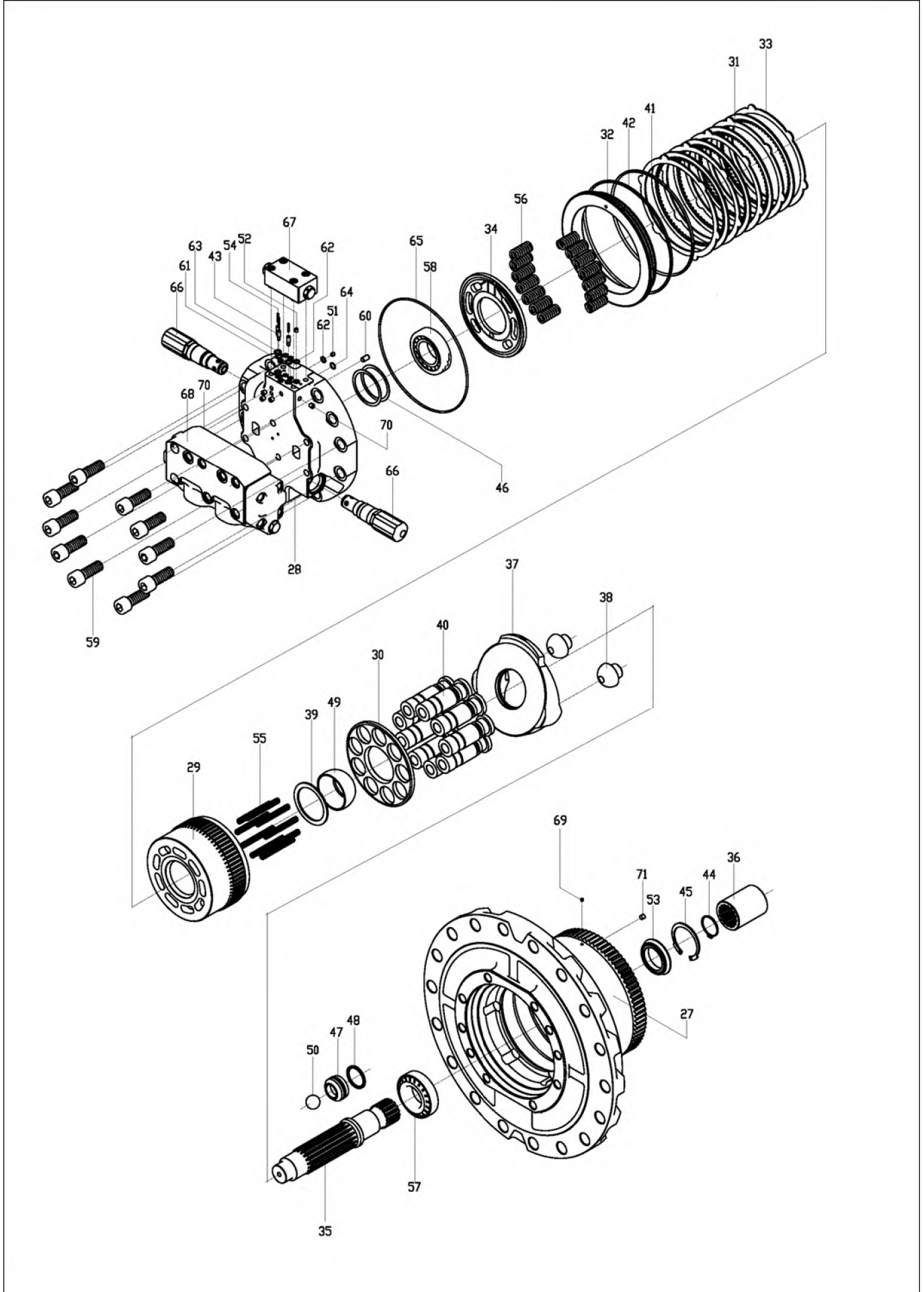
KULE DÖNÜŞ ÜNİTESİ, DIŞLI KUTUSU  
 SWING UNIT, REDUCTION GEAR



## YÜRÜYÜŞ ÜNİTESİ, MOTOR (TİP A) TRAVEL UNIT, MOTOR (TYPE A)

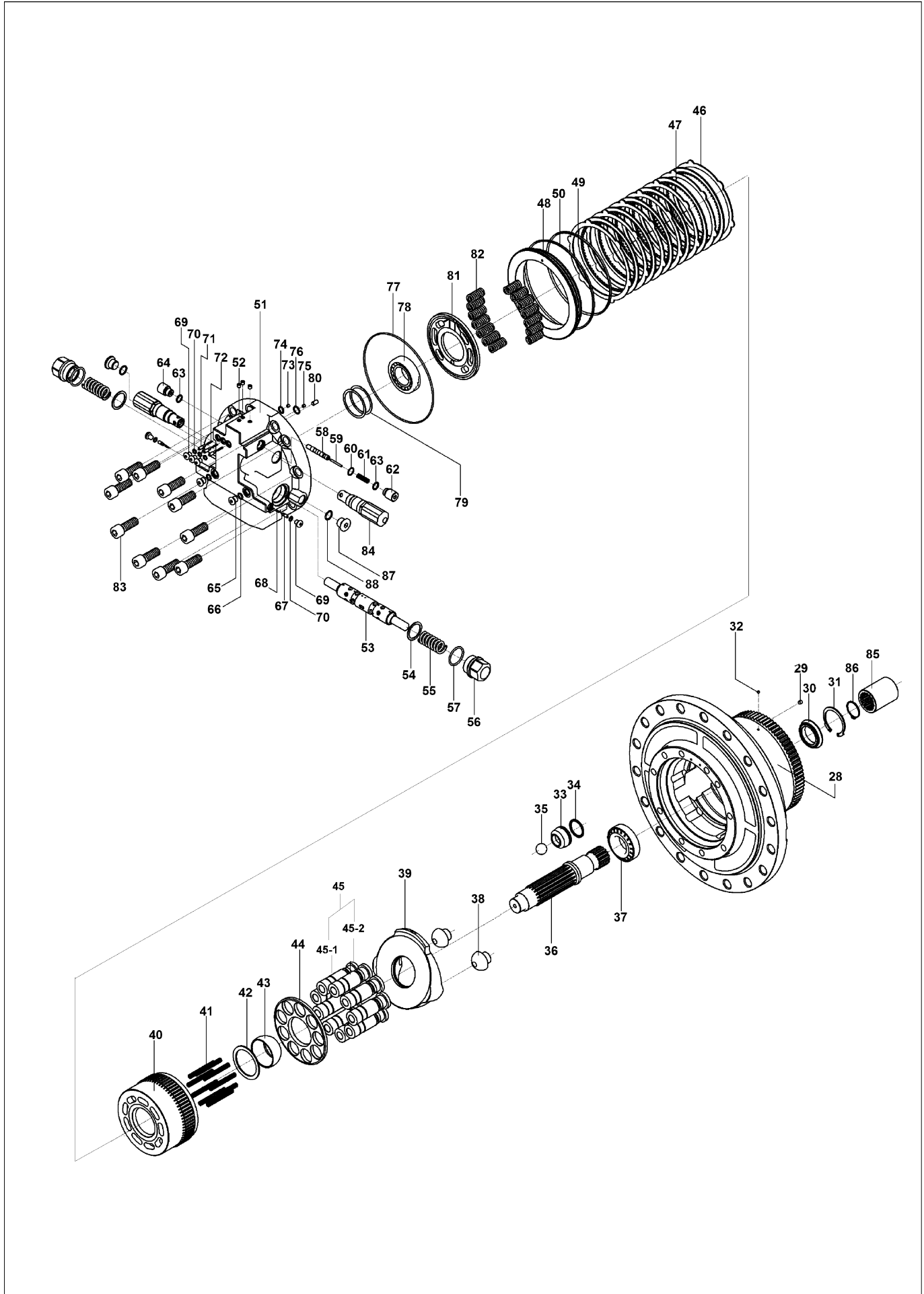


## YÜRÜYÜŞ ÜNİTESİ, MOTOR (TİP A) TRAVEL UNIT, MOTOR (TYPE A)



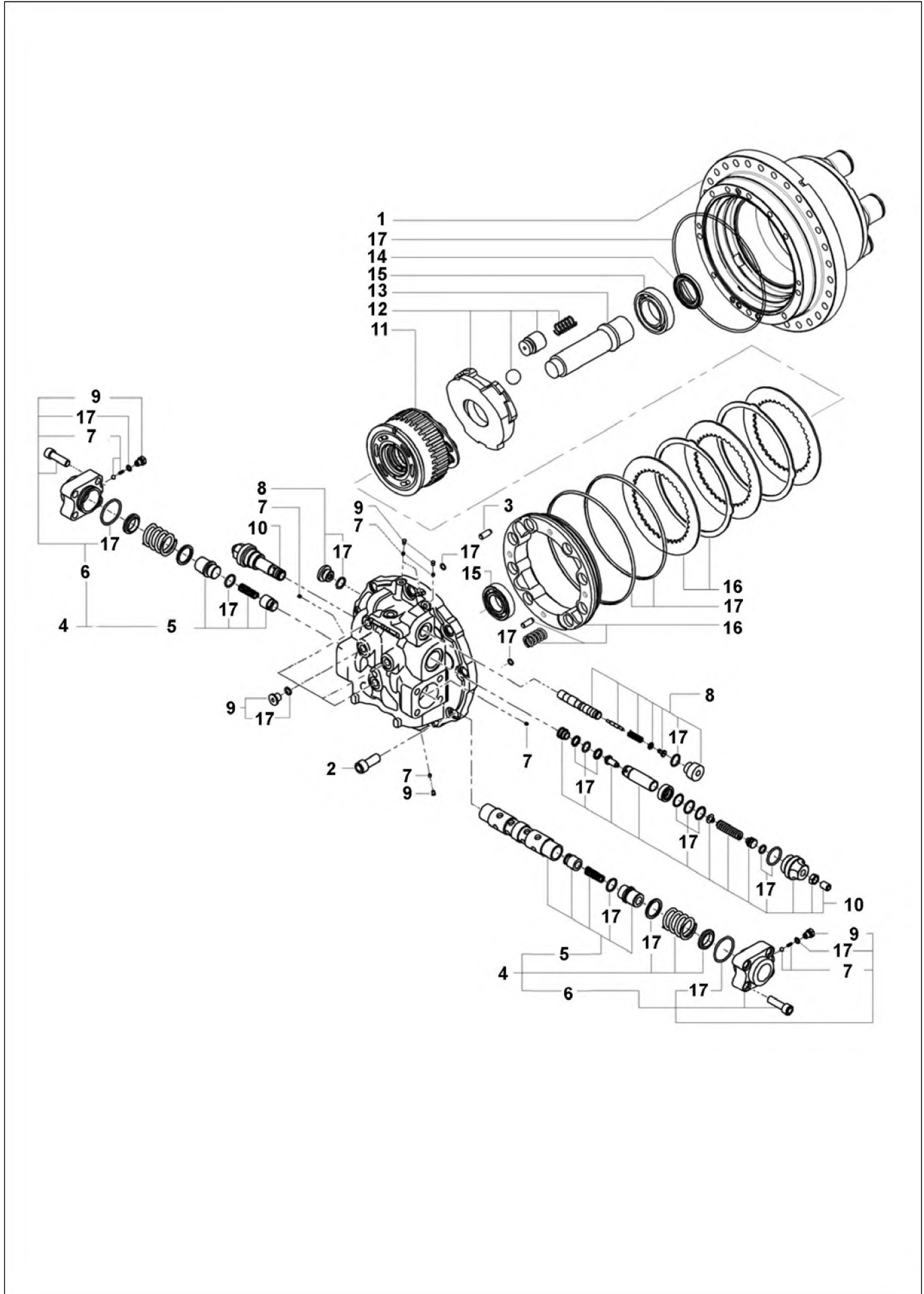


## YÜRÜYÜŞ ÜNİTESİ, MOTOR (TİP A) TRAVEL UNIT, MOTOR (TYPE A)

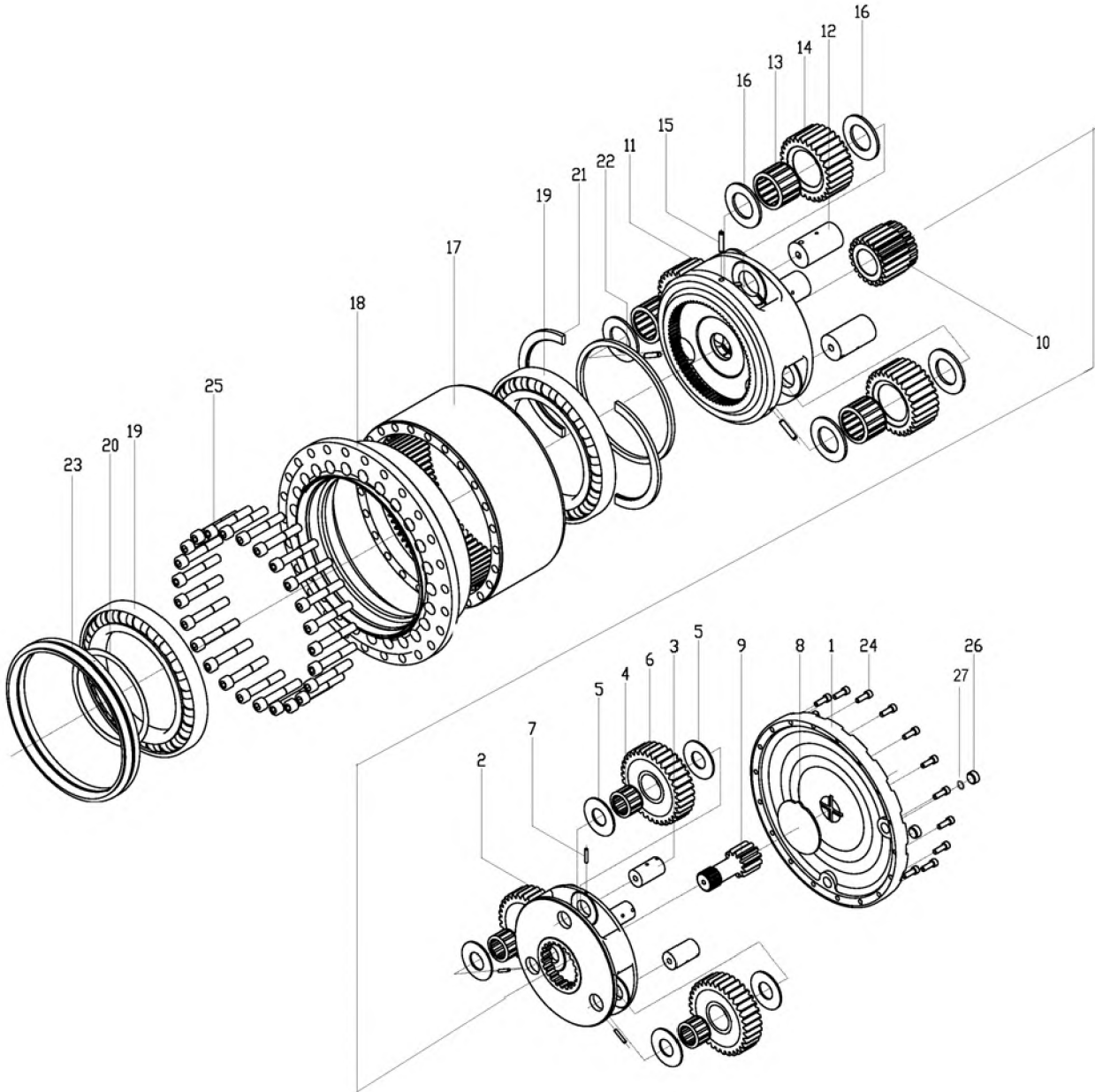




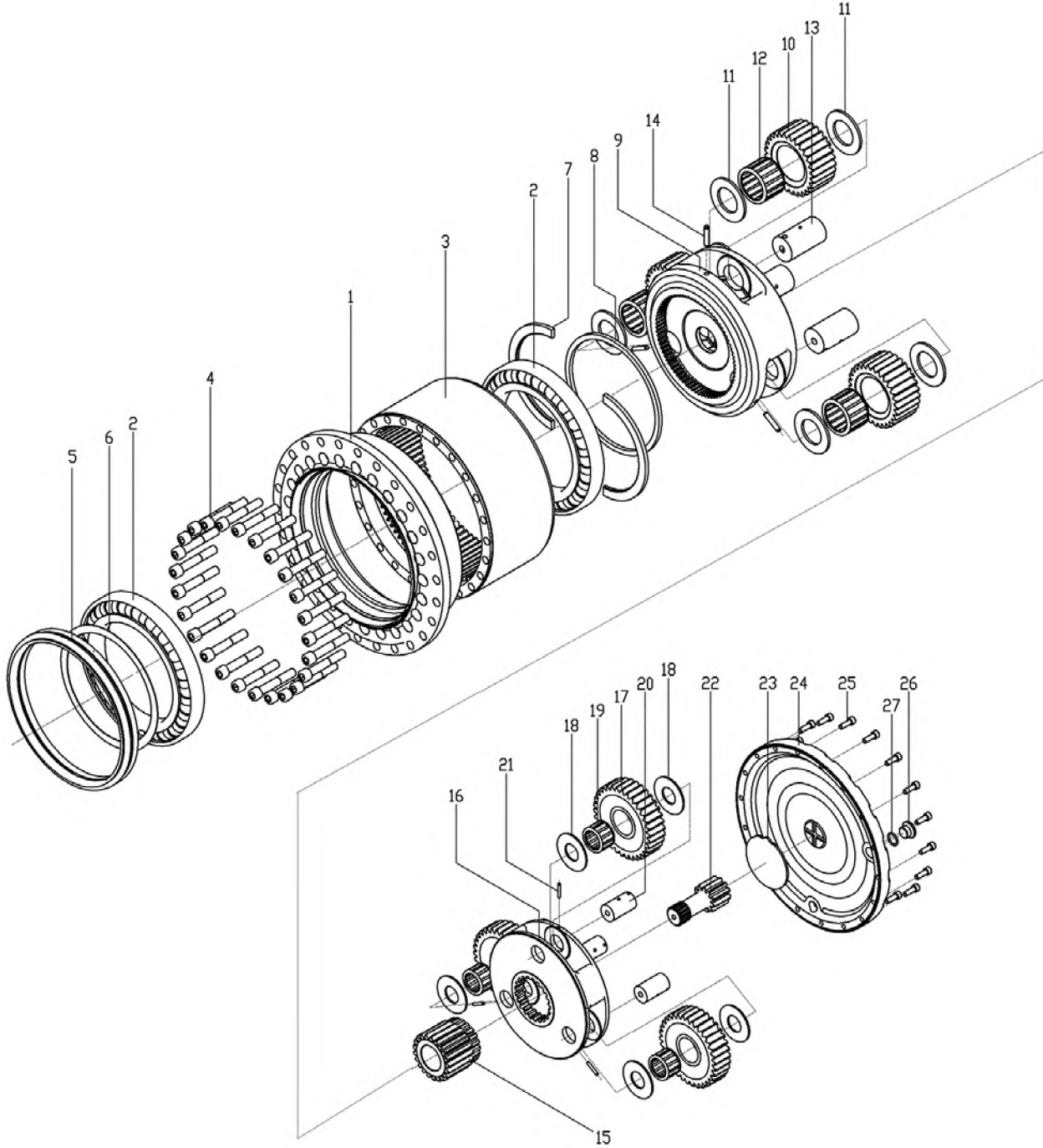
YÜRÜYÜŞ ÜNİTESİ, MOTOR (TİP B)  
TRAVEL UNIT, MOTOR (TYPE B)



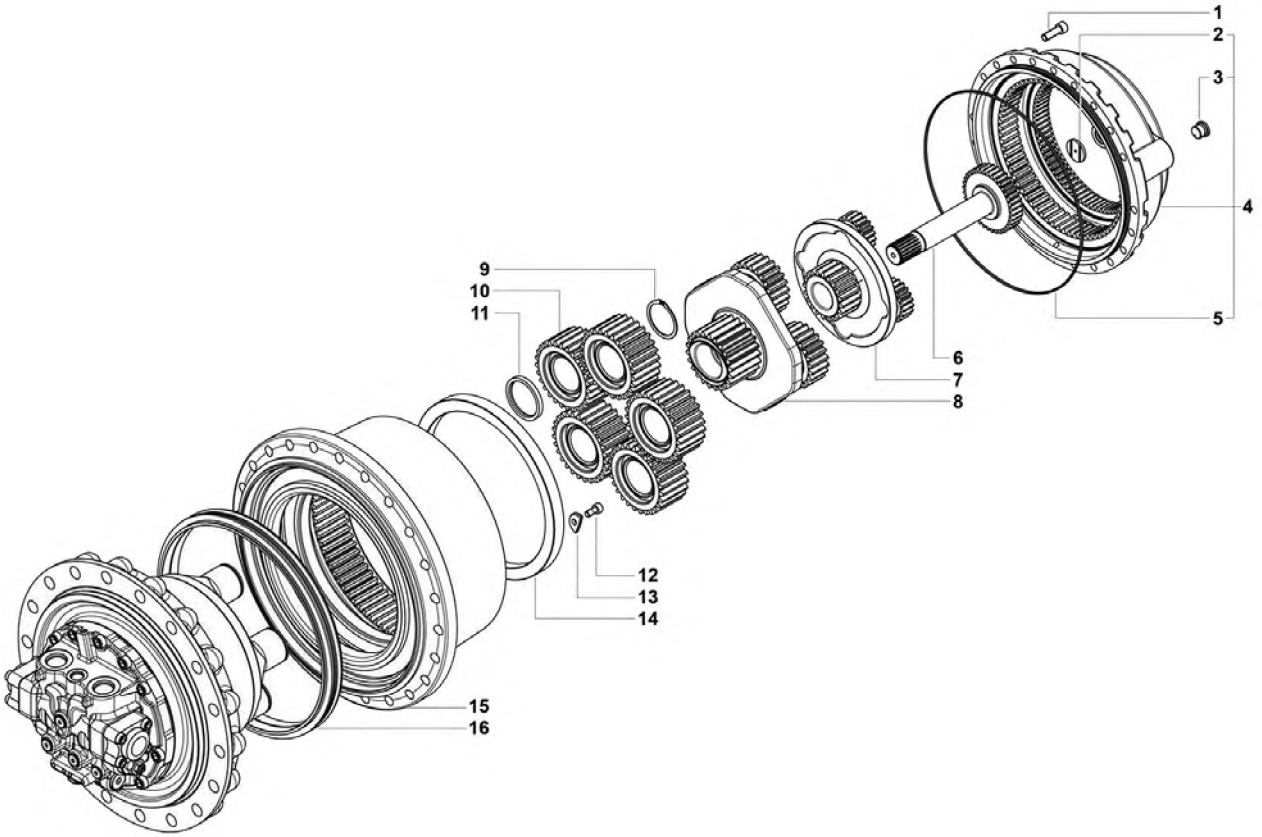
YÜRÜYÜŞ ÜNİTESİ, DİŞLİ KUTUSU (TİP A)  
TRAVEL UNIT, REDUCTION GEAR (TYPE A)



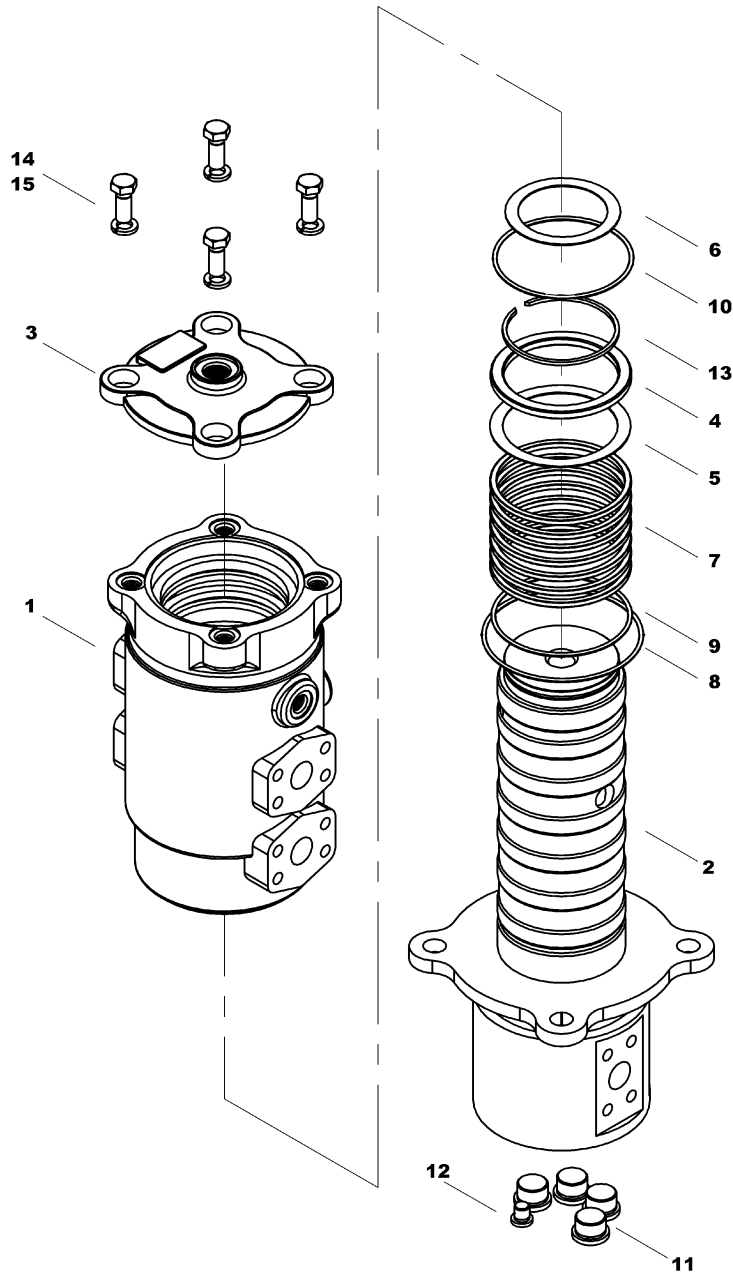
**YÜRÜYÜŞ ÜNİTESİ, DİŞLİ KUTUSU (TİP A)**  
**TRAVEL UNIT, REDUCTION GEAR (TYPE A)**



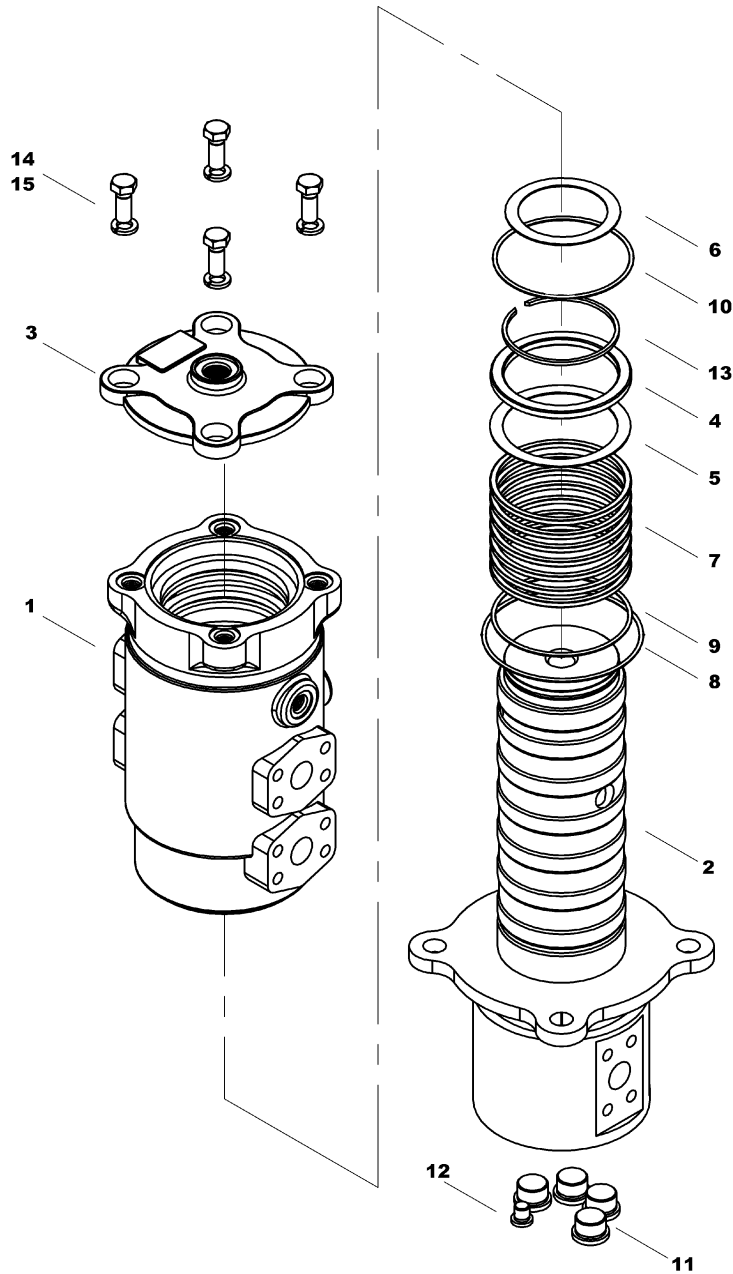
YÜRÜYÜŞ ÜNİTESİ, DİŞLİ KUTUSU (TİP B)  
TRAVEL UNIT, REDUCTION GEAR (TYPE B)



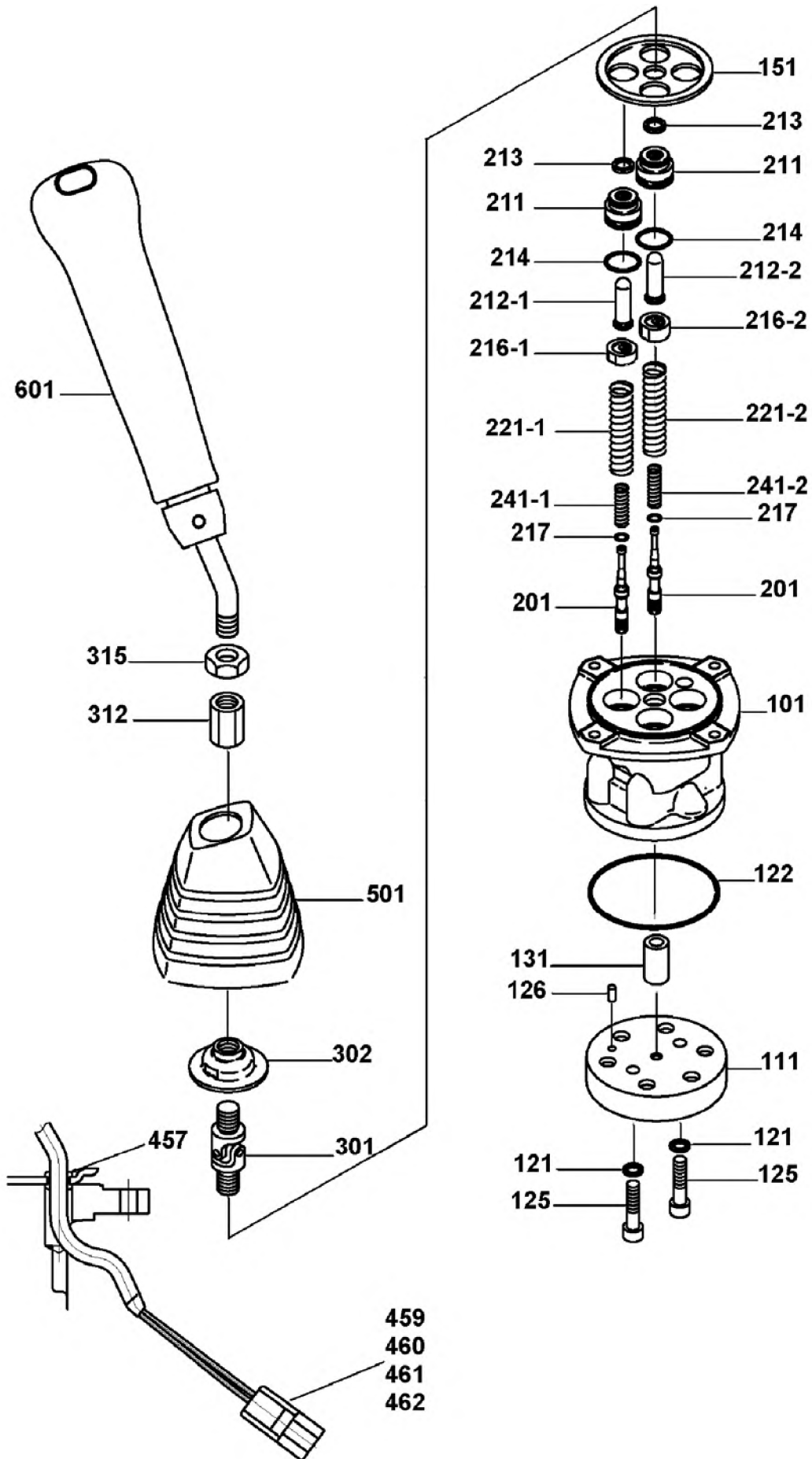
# DÖNER DAĞITICI TURNING JOINT



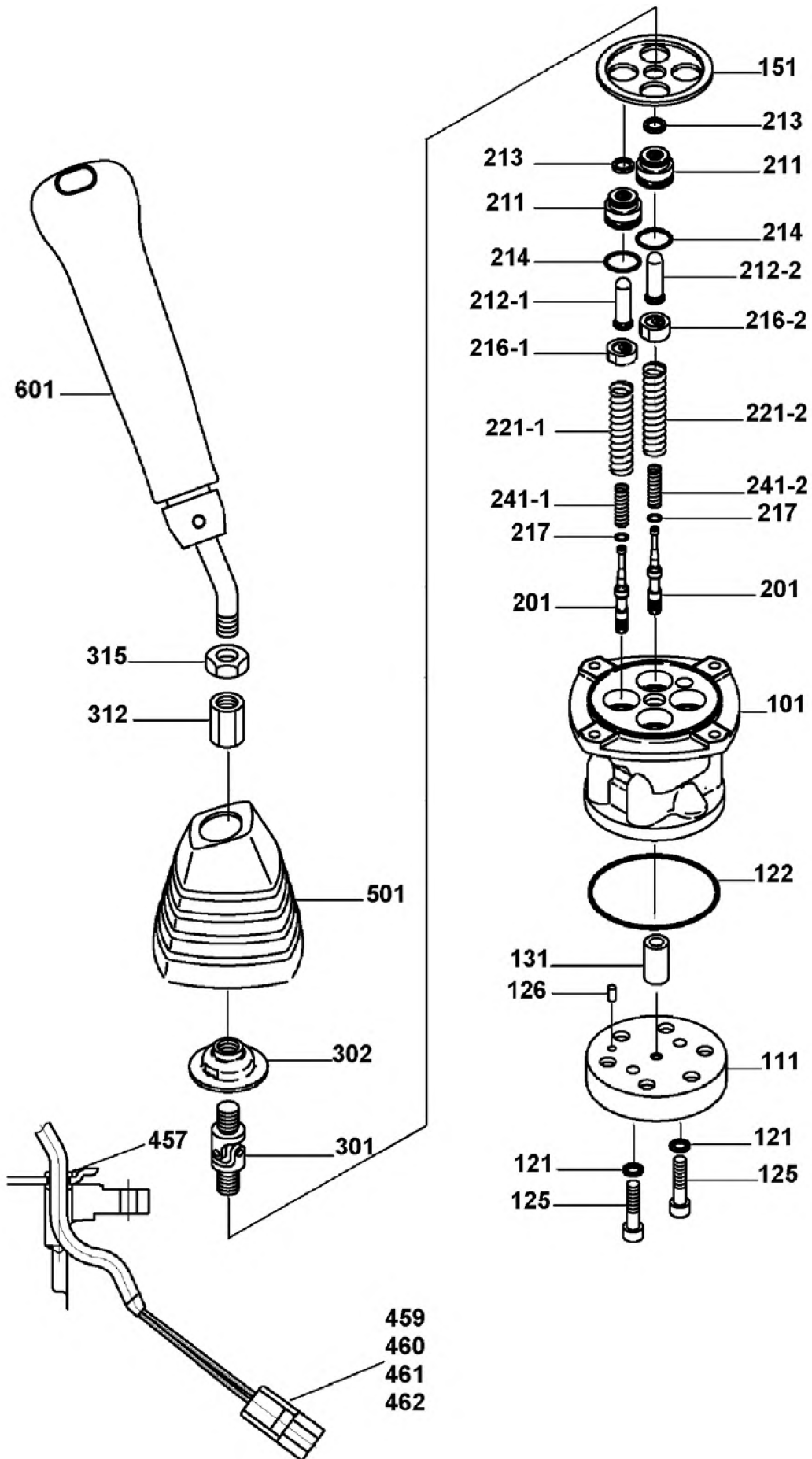
### DÖNER DAĞITICI TURNING JOINT



JOYSTİK, SAĞ  
JOYSTICK, RH

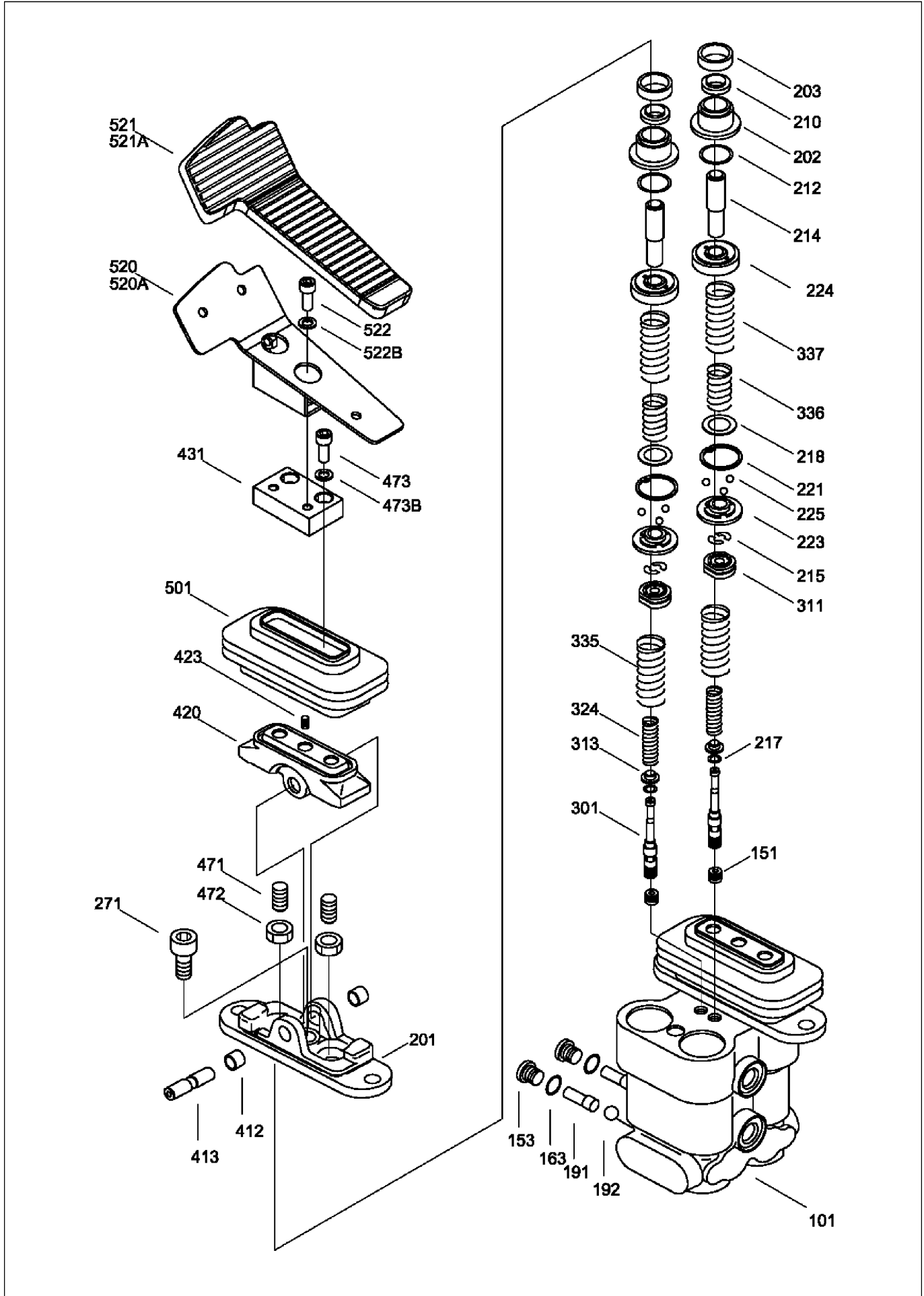


JOYSTİK, SOL  
JOYSTICK, LH

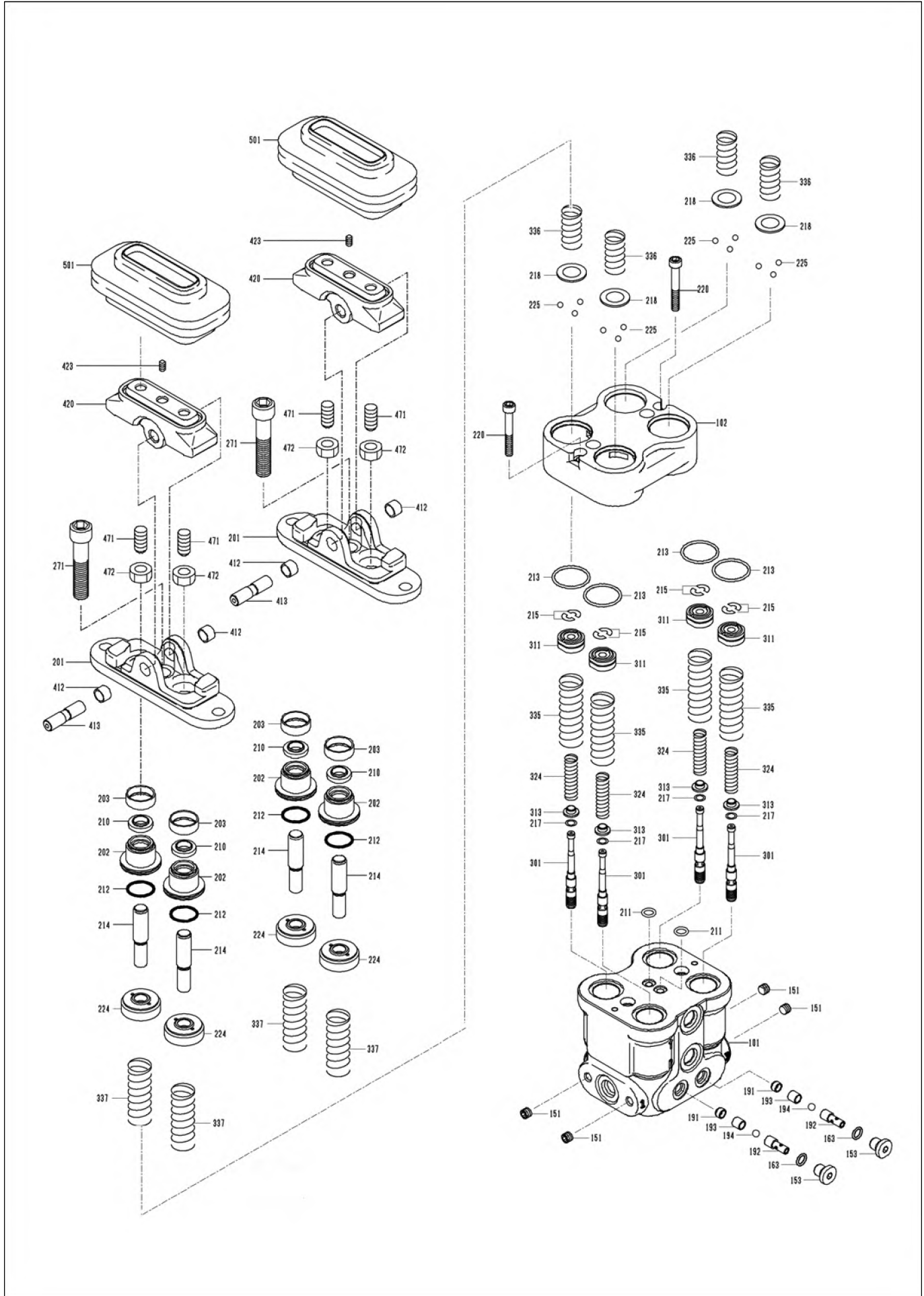




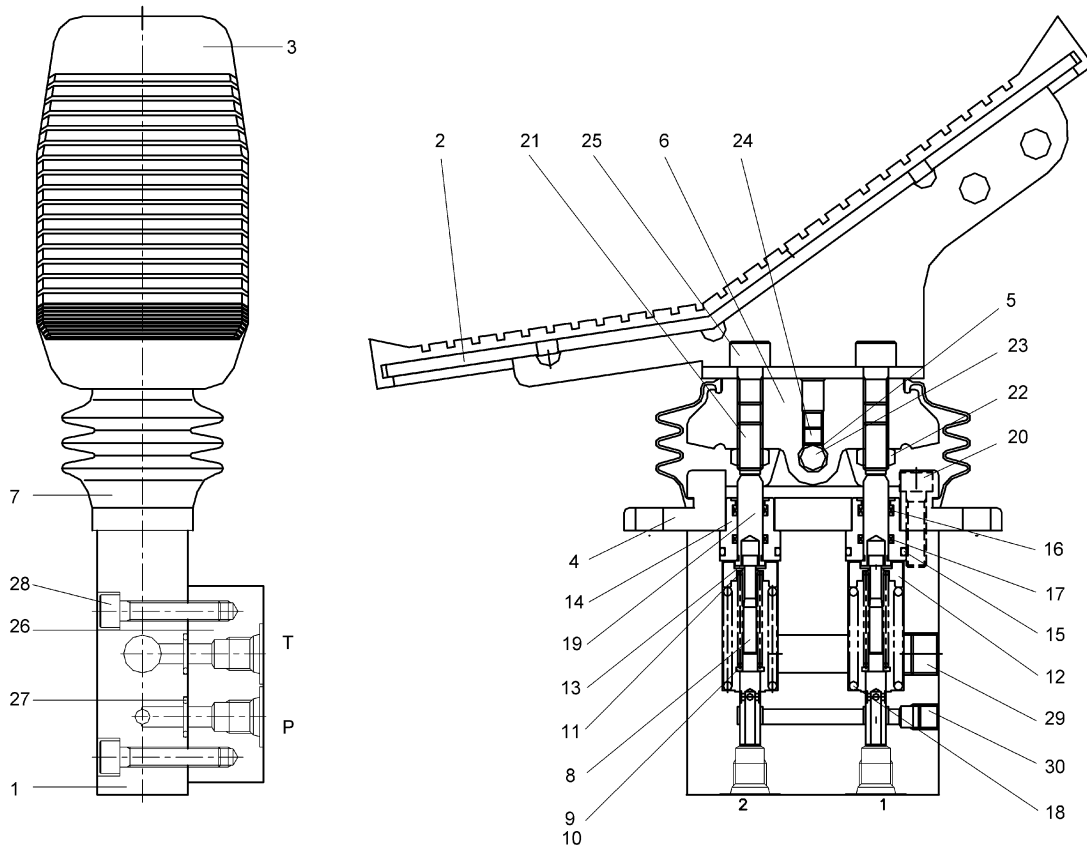
YÜRÜYÜŞ PEDAL VALFİ  
TRAVEL PEDAL VALVE



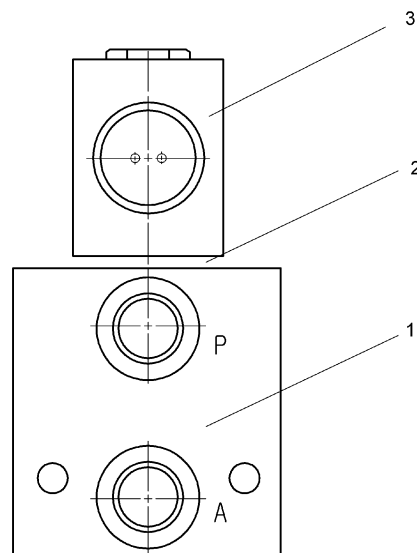
# YÜRÜYÜŞ PEDAL VALFİ TRAVEL PEDAL VALVE



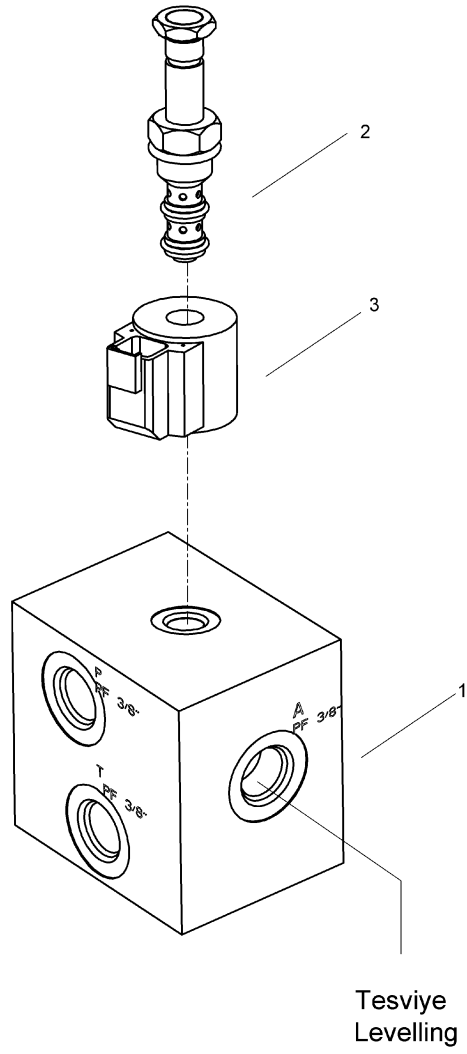
ÇİFT ETKİLİ AYAK PEDALI VE VALFİ (OP)  
DOUBLE ACTING PEDAL AND VALVE (OP)



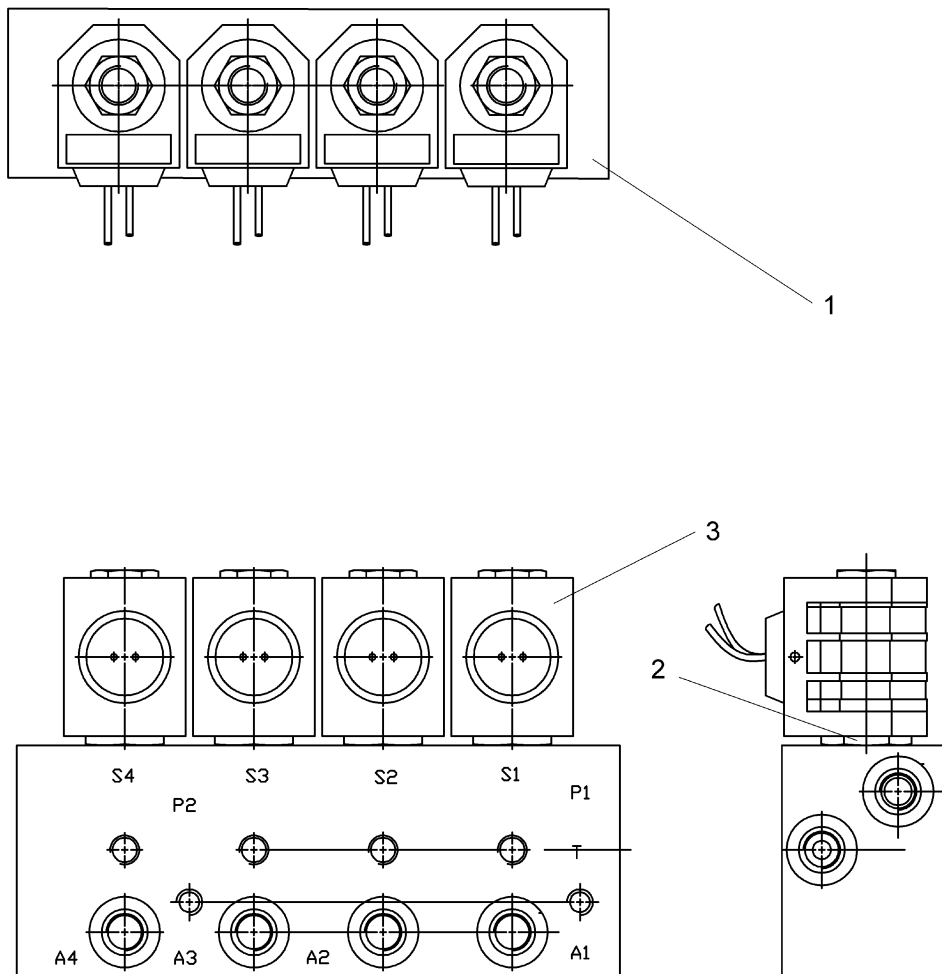
### 1'LÌ SOLENOID VALF SOLENOID VALVE, 1 SECTION



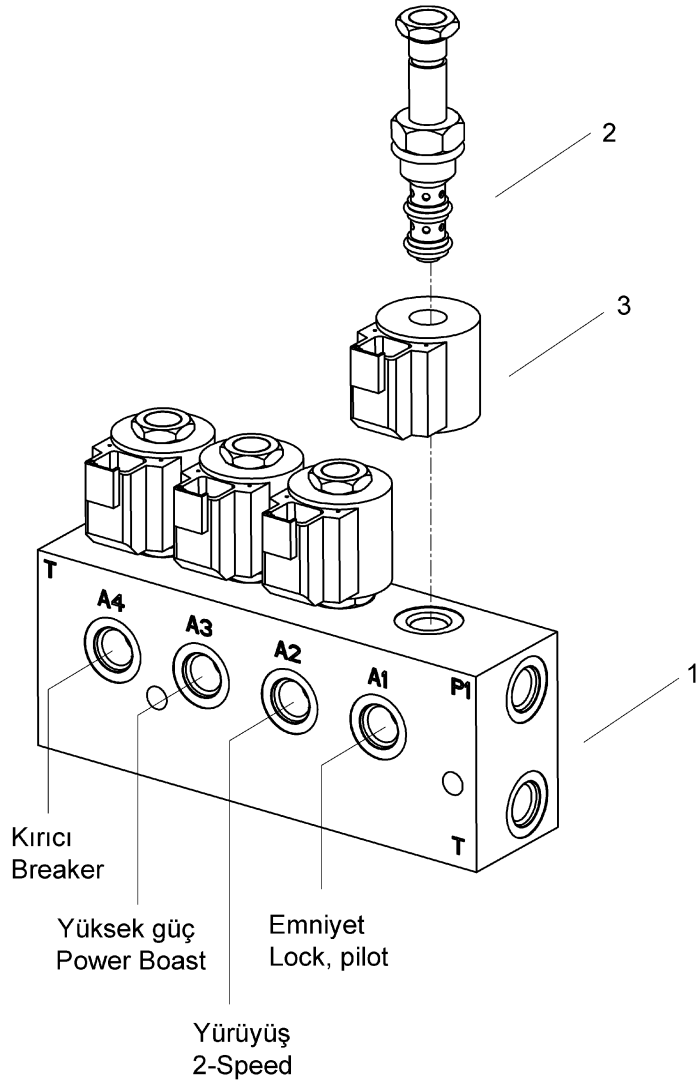
# 1'Lİ SOLENOİD VALF SOLENOID VALVE, 1 SECTION

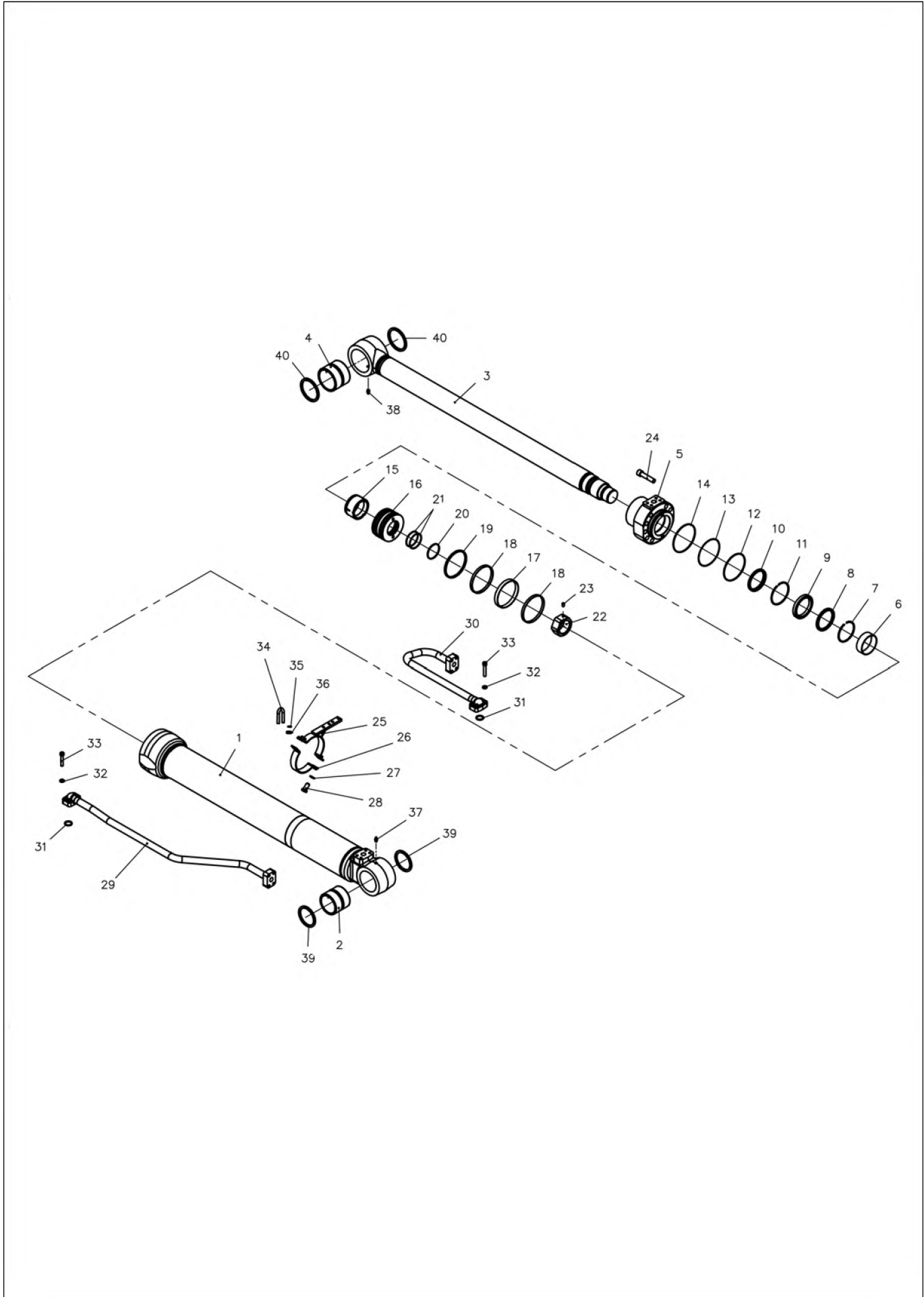


### 4'LÜ SOLENOİD VALF SOLENOID VALVE, 4 SECTION

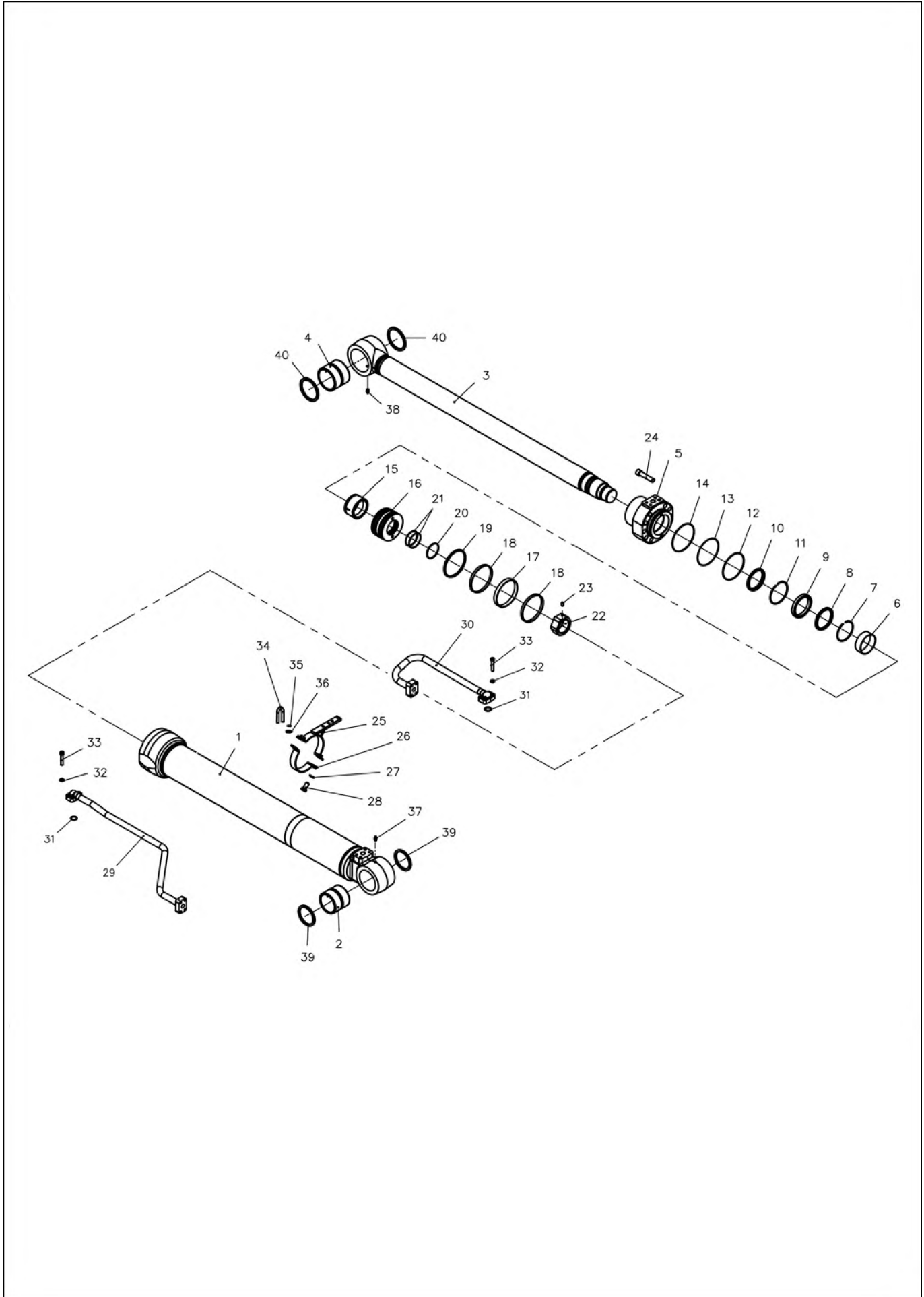


### 4'LÜ SOLENOİD VALF SOLENOID VALVE, 4 SECTION

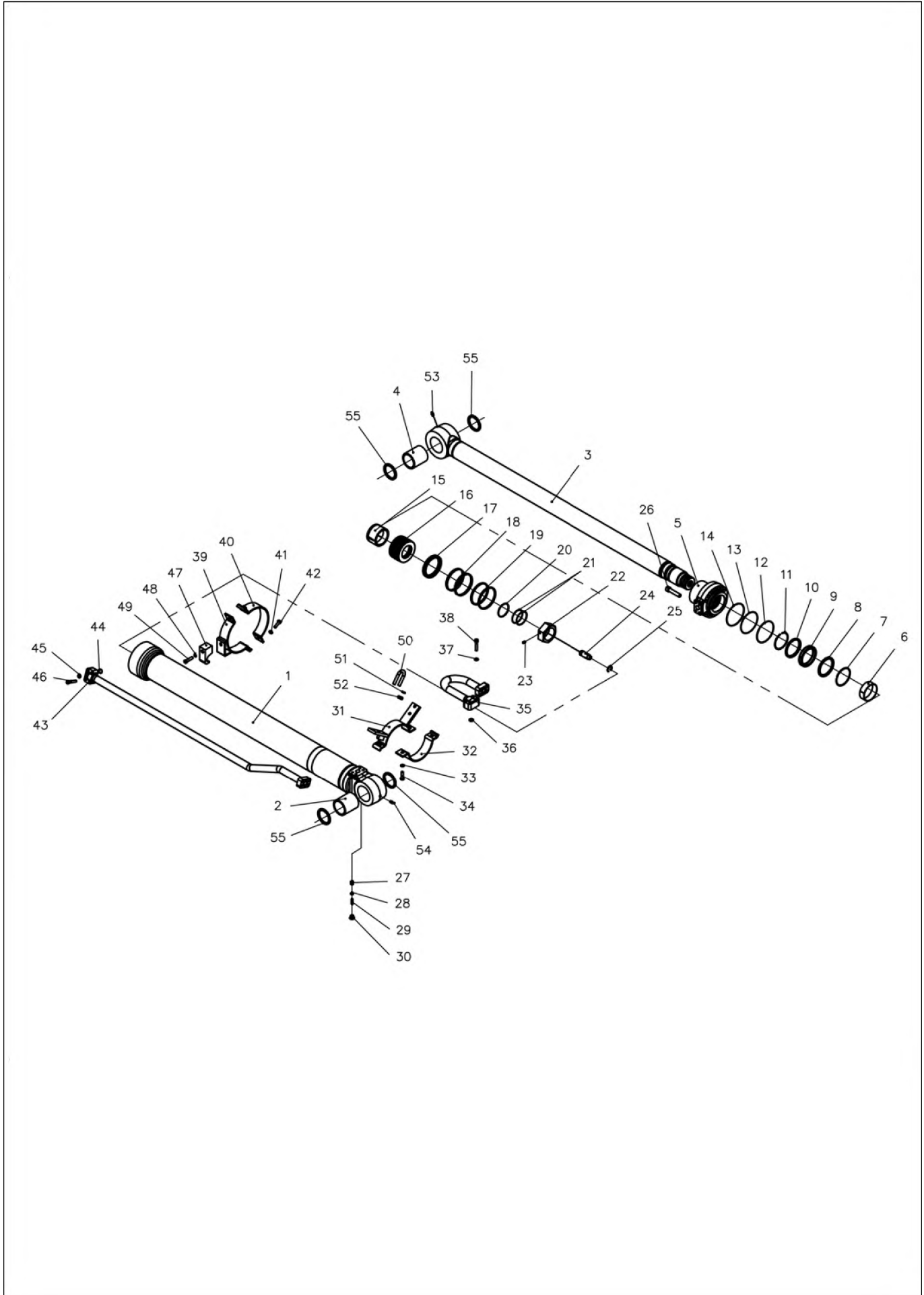


**BOM SİLİNDİRİ, SAĞ  
BOOM CYLINDER, RH**

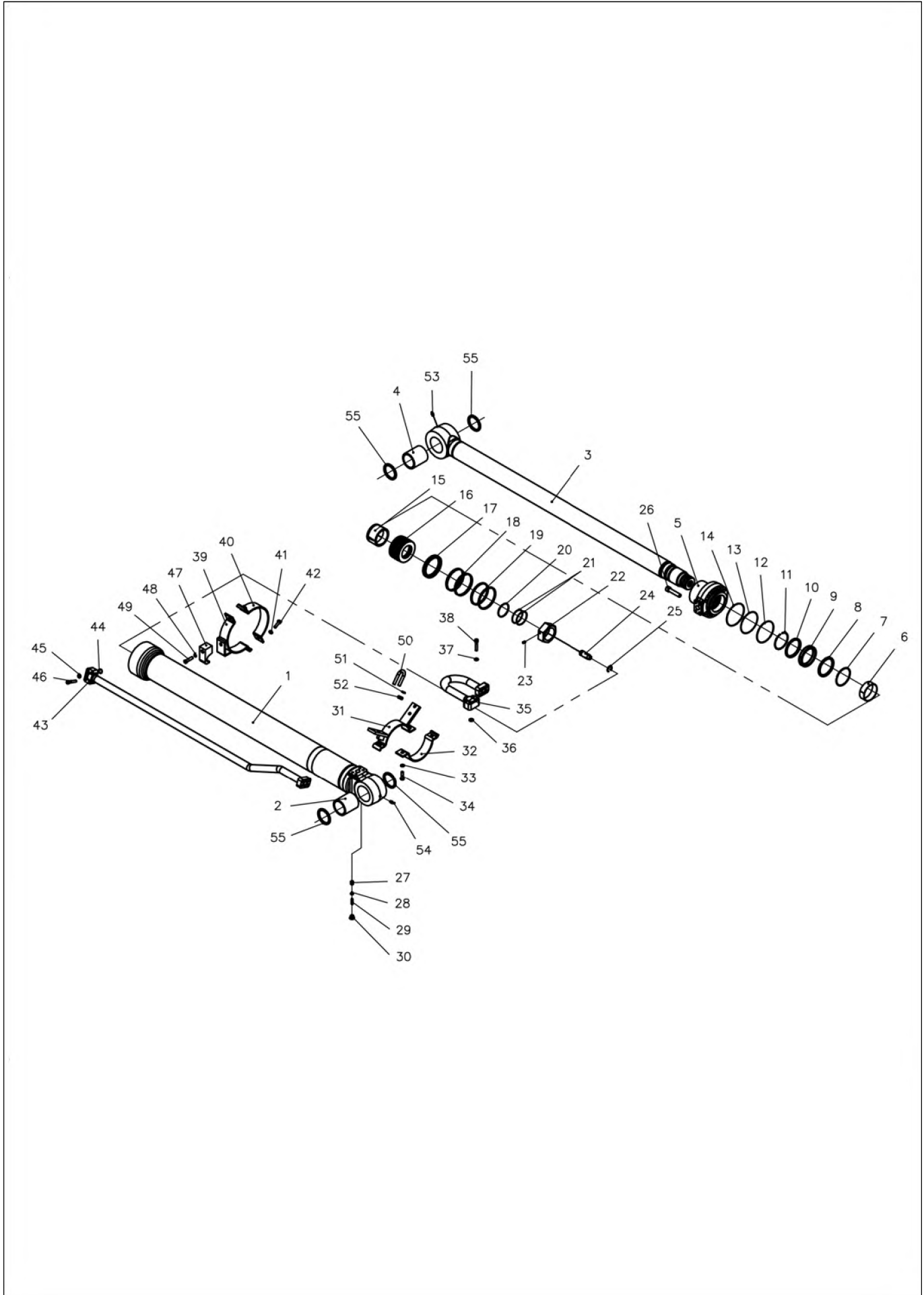


**BOM SİLİNDİRİ, SOL  
BOOM CYLINDER, LH**

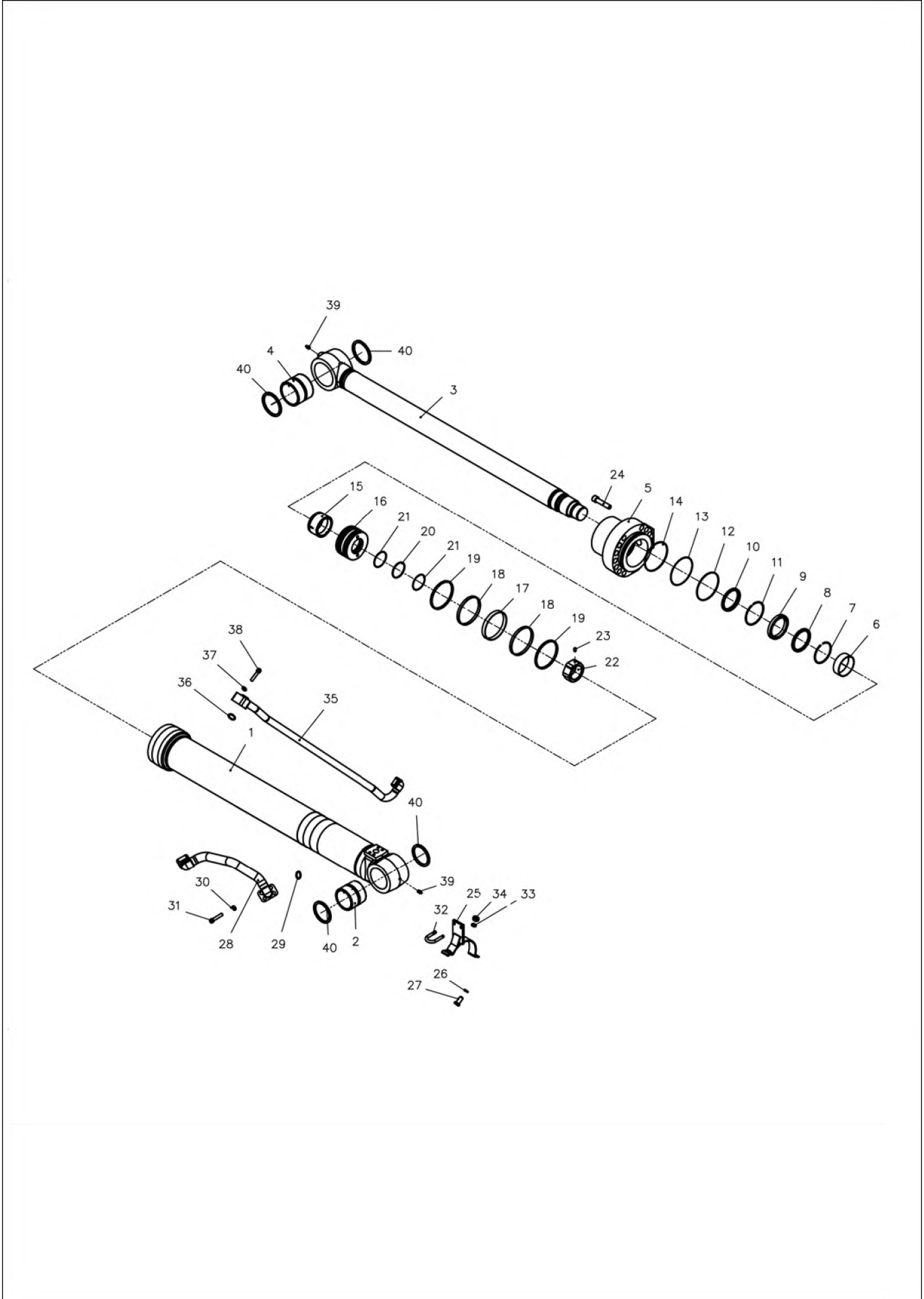
# ARM SİLİNDİRİ ARM CYLINDER



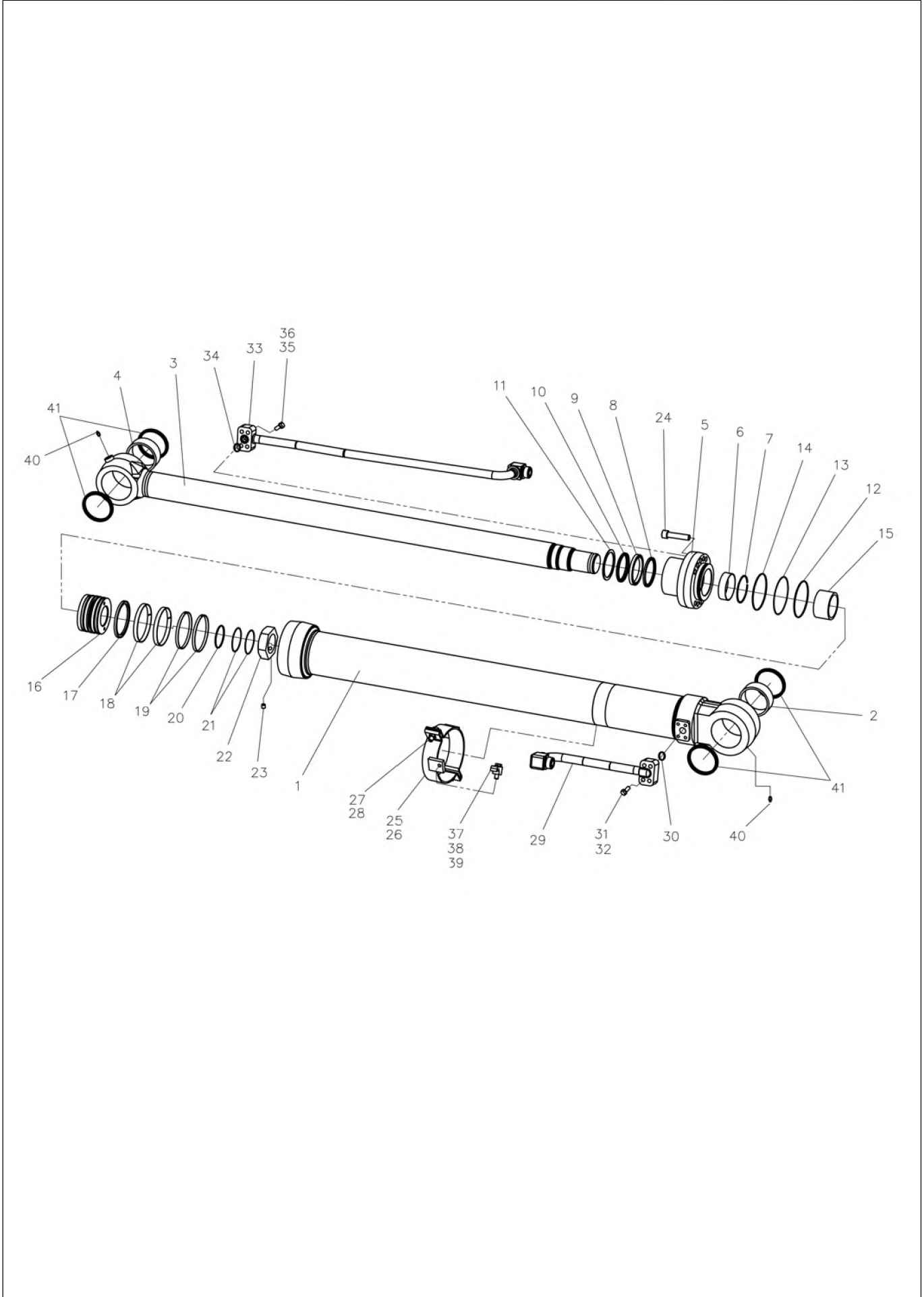
# ARM SİLİNDİRİ ARM CYLINDER



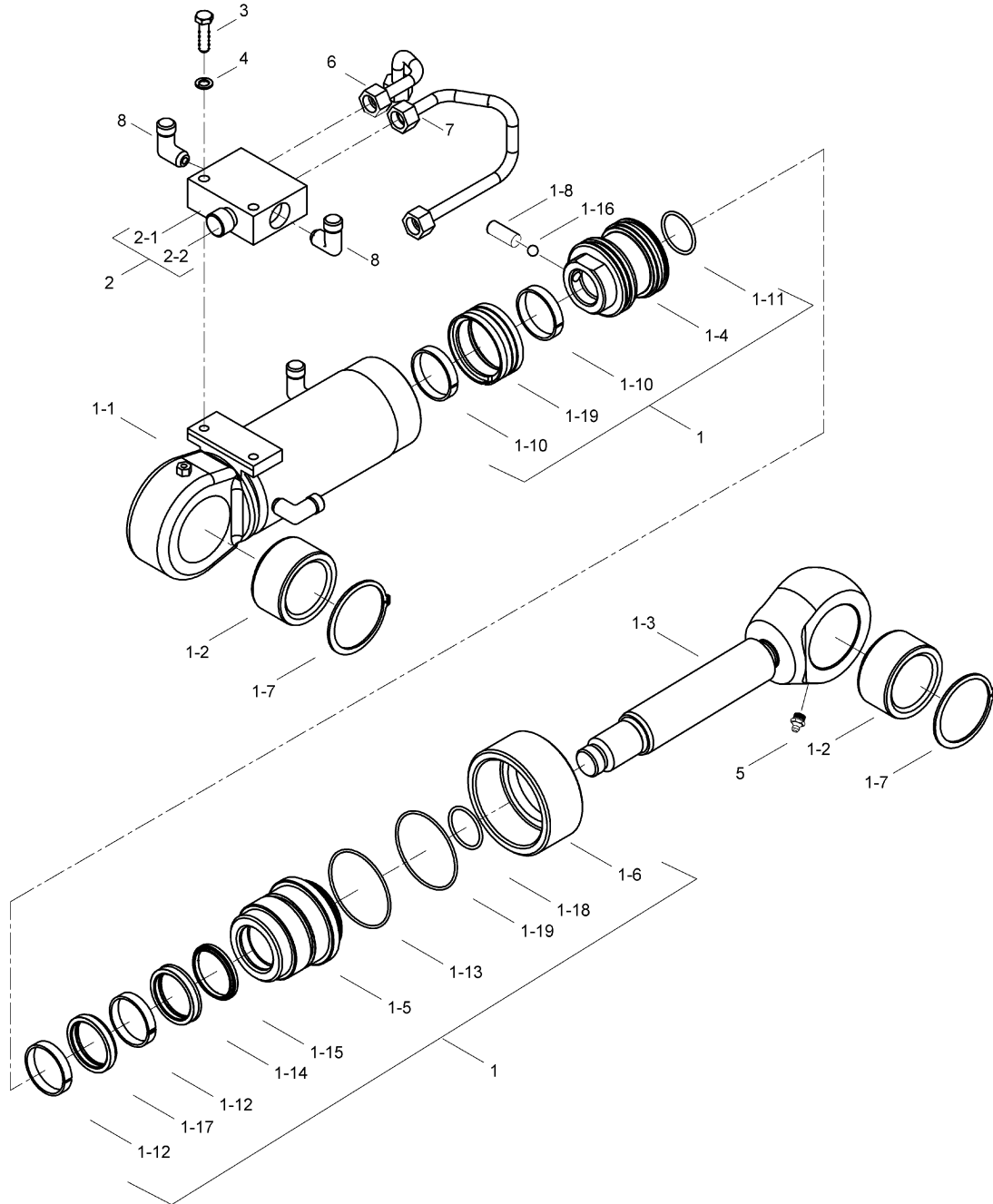
# KEPÇE SİLİNDİRİ BUCKET CYLINDER



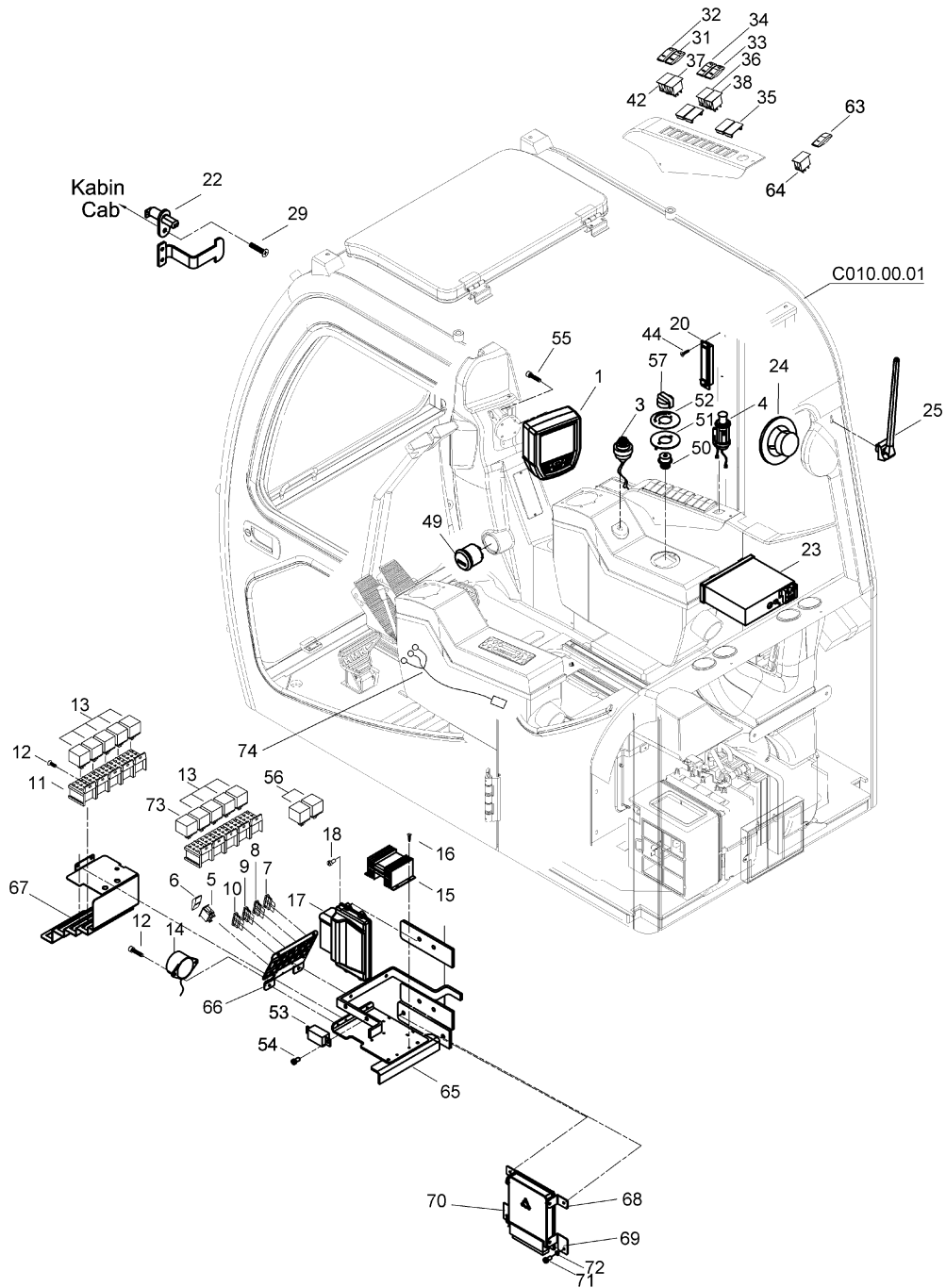
### KEPÇE SİLİNDİRİ (LR) BUCKET CYLINDER (LR)



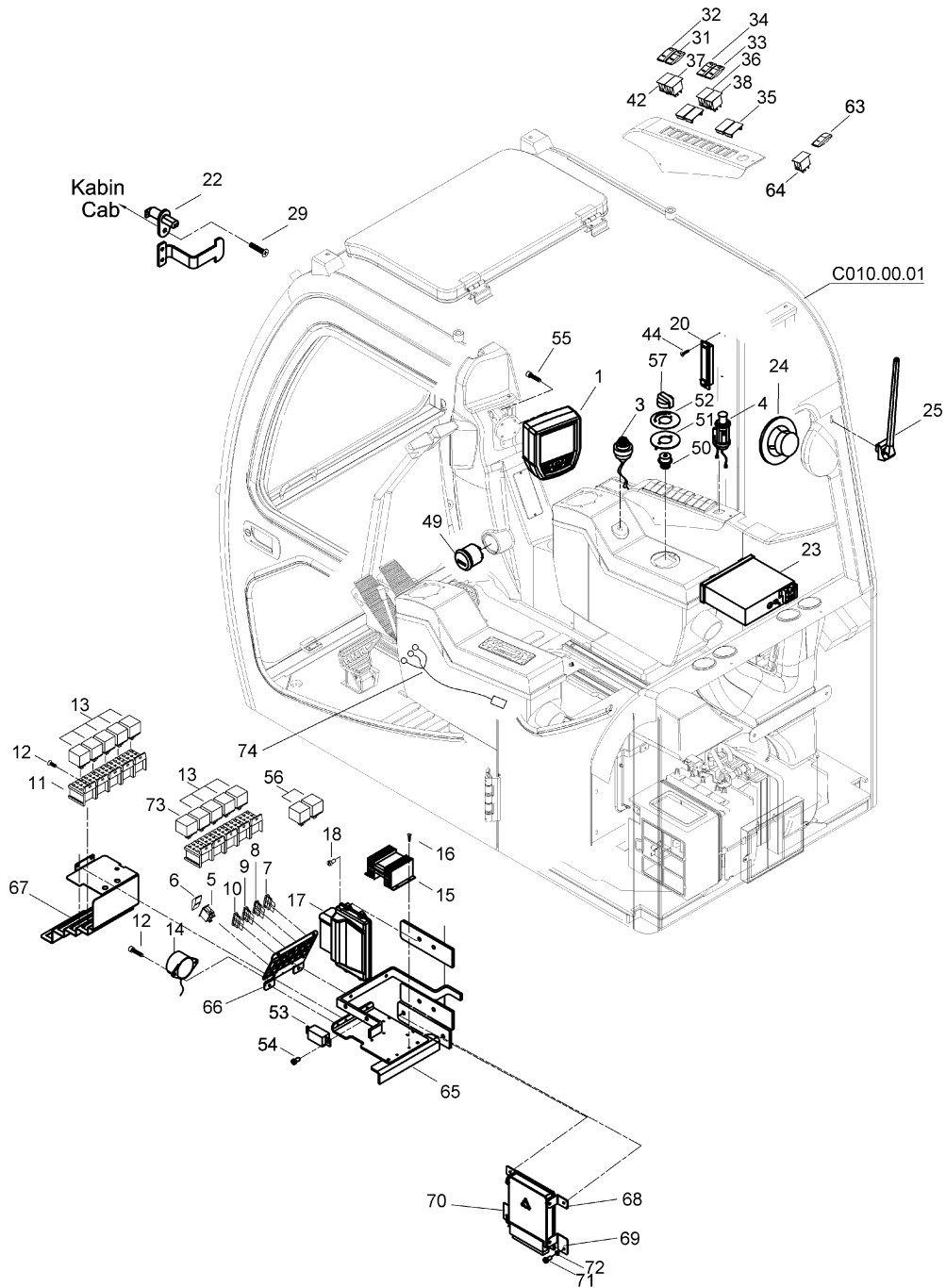
ÇABUK SÖK-TAK SİLİNDİRİ (OP)  
 QUICK COUPLER CYLINDER (OP)



**ELEKTRİK PARÇALARI (1)**  
**ELECTRIC PARTS (1)**

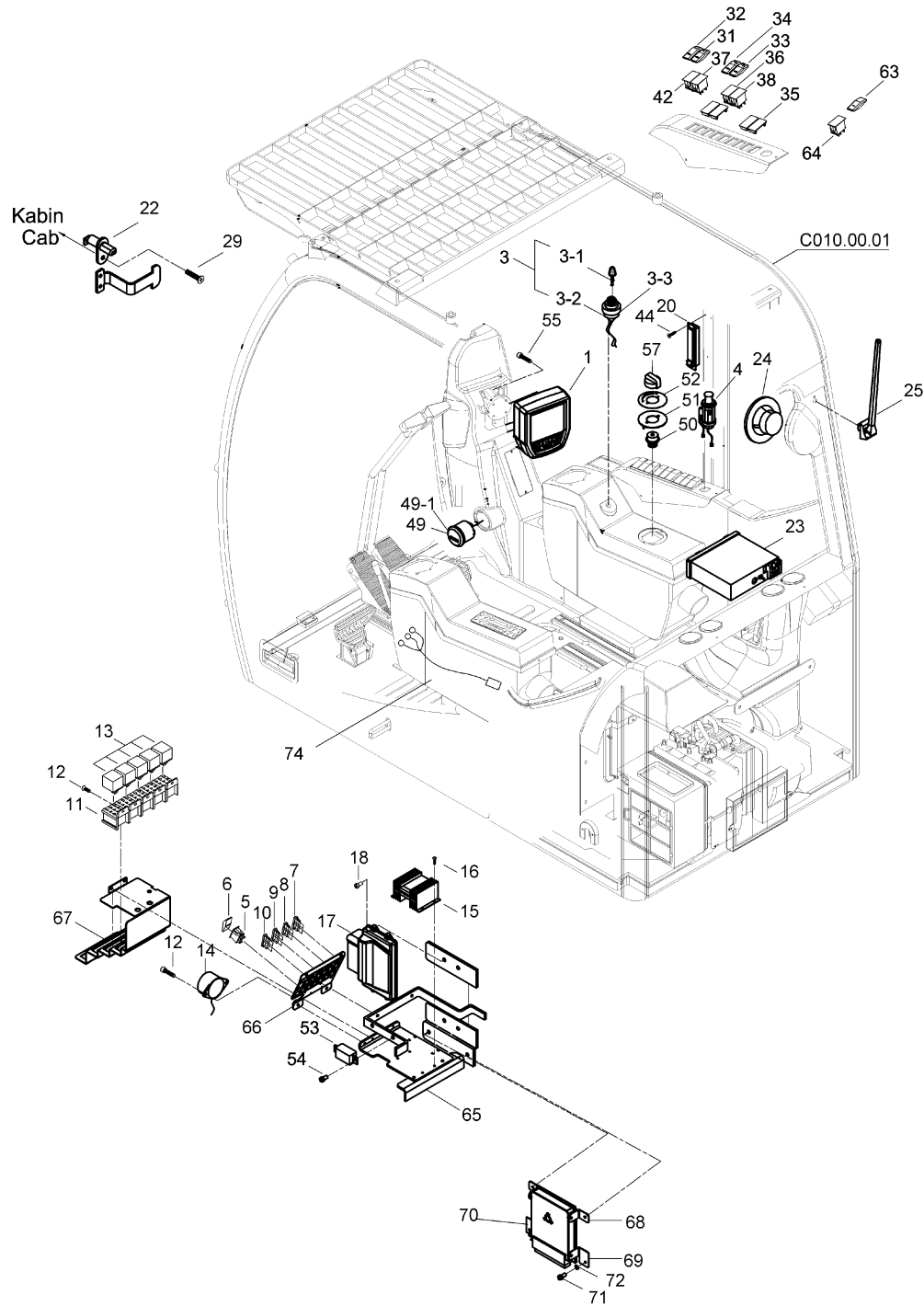


**ELEKTRİK PARÇALARI (1)**  
**ELECTRIC PARTS (1)**

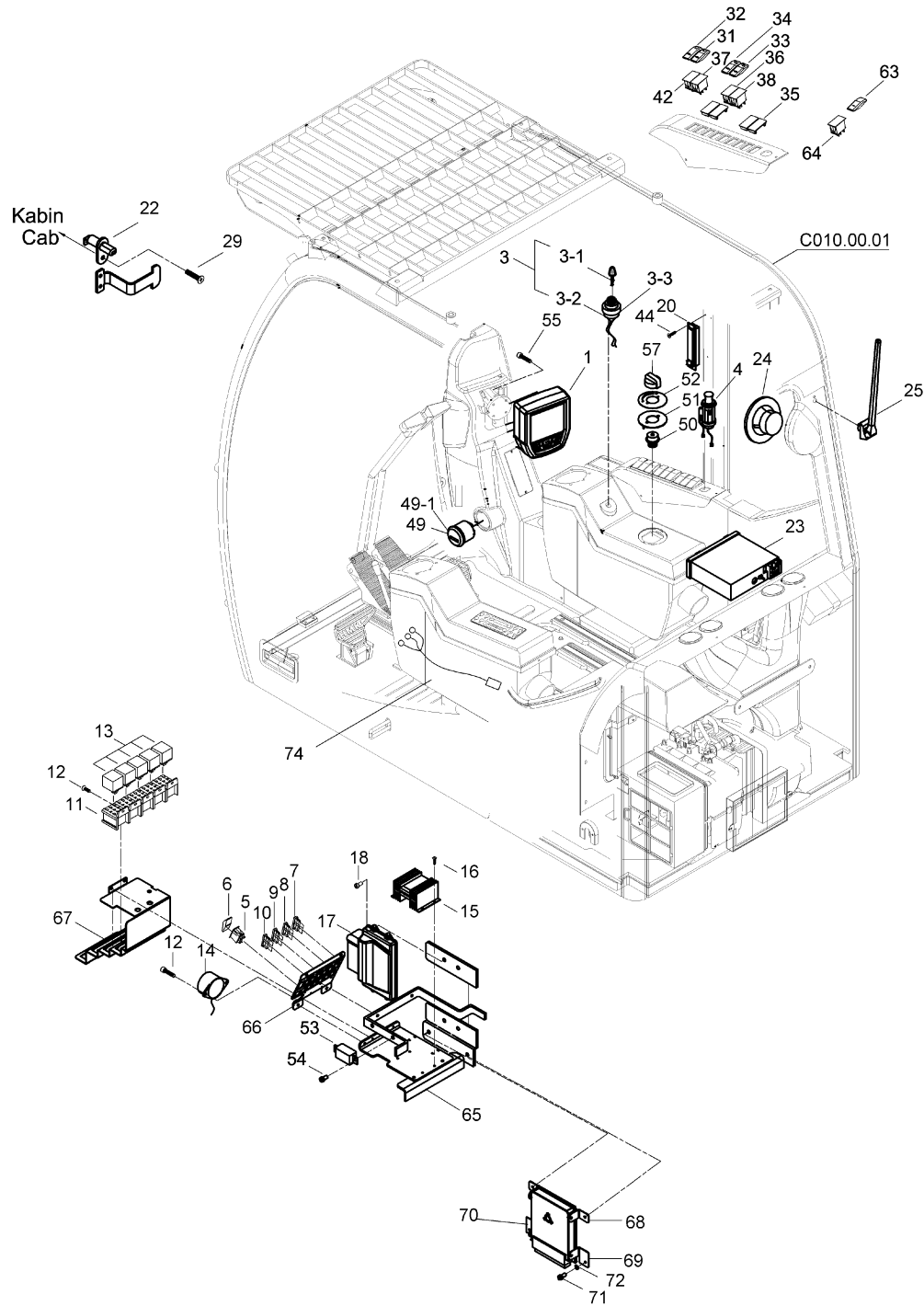




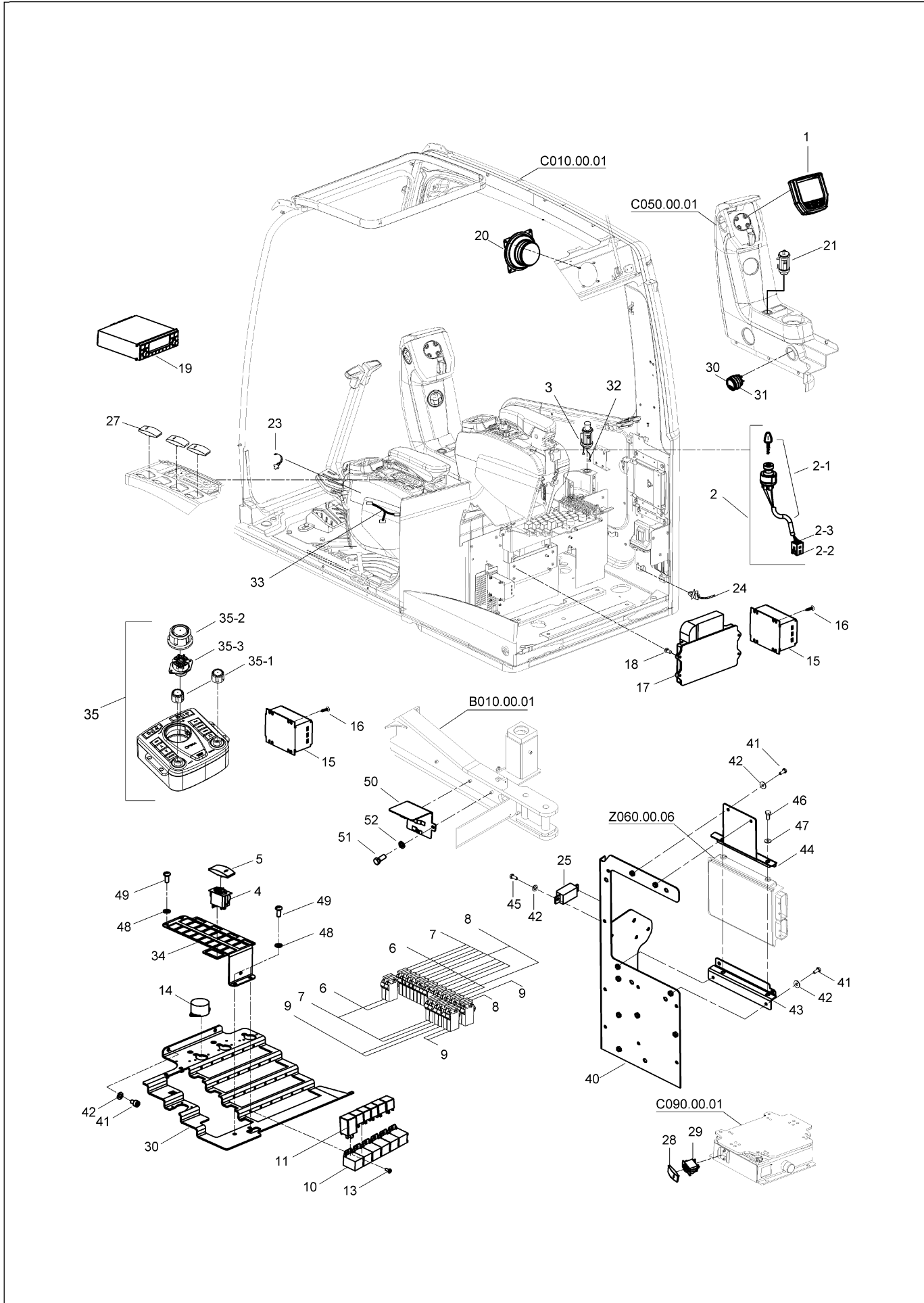
**ELEKTRİK PARÇALARI (1)**  
**ELECTRIC PARTS (1)**



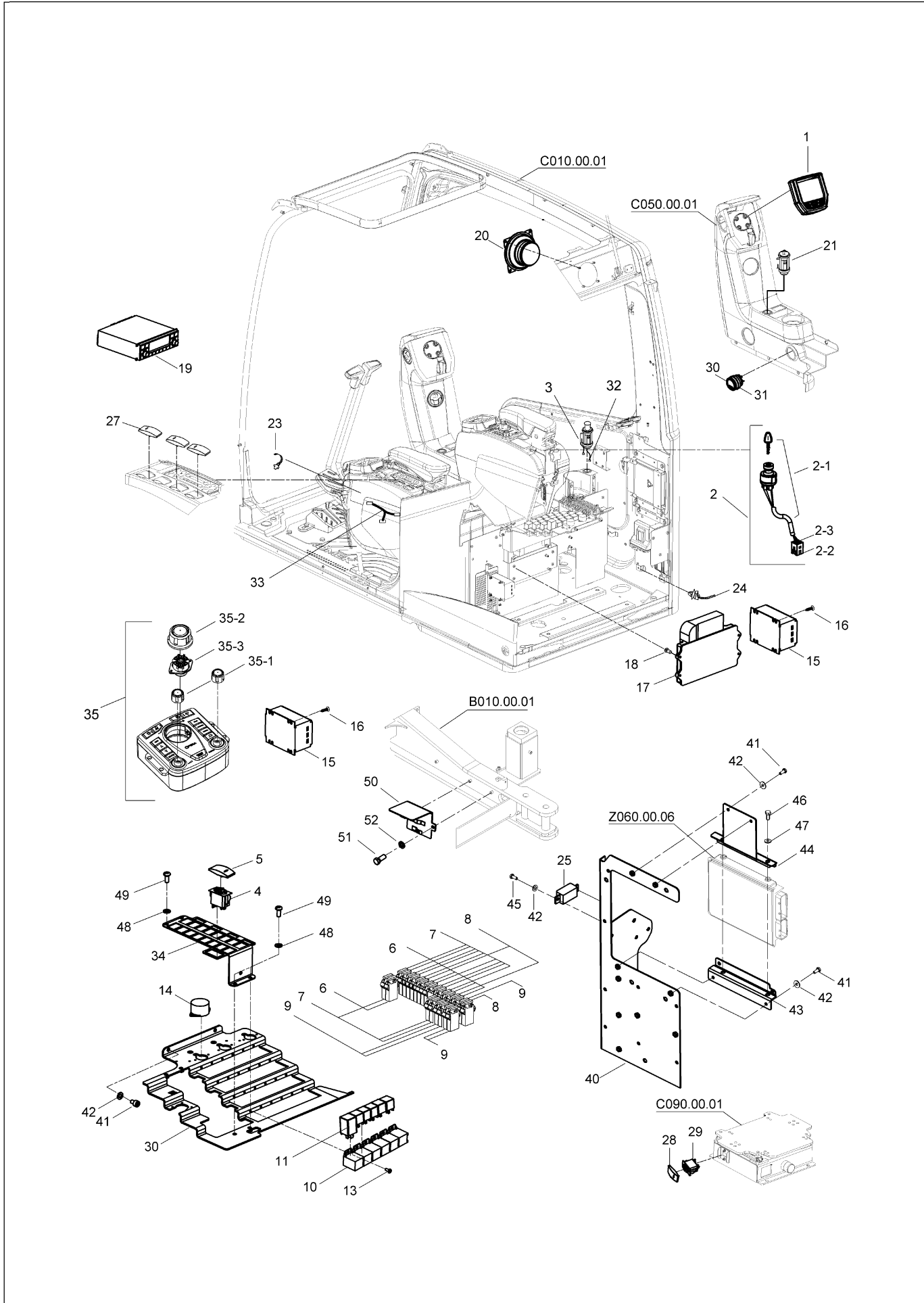
### ELEKTRİK PARÇALARI (1) ELECTRIC PARTS (1)



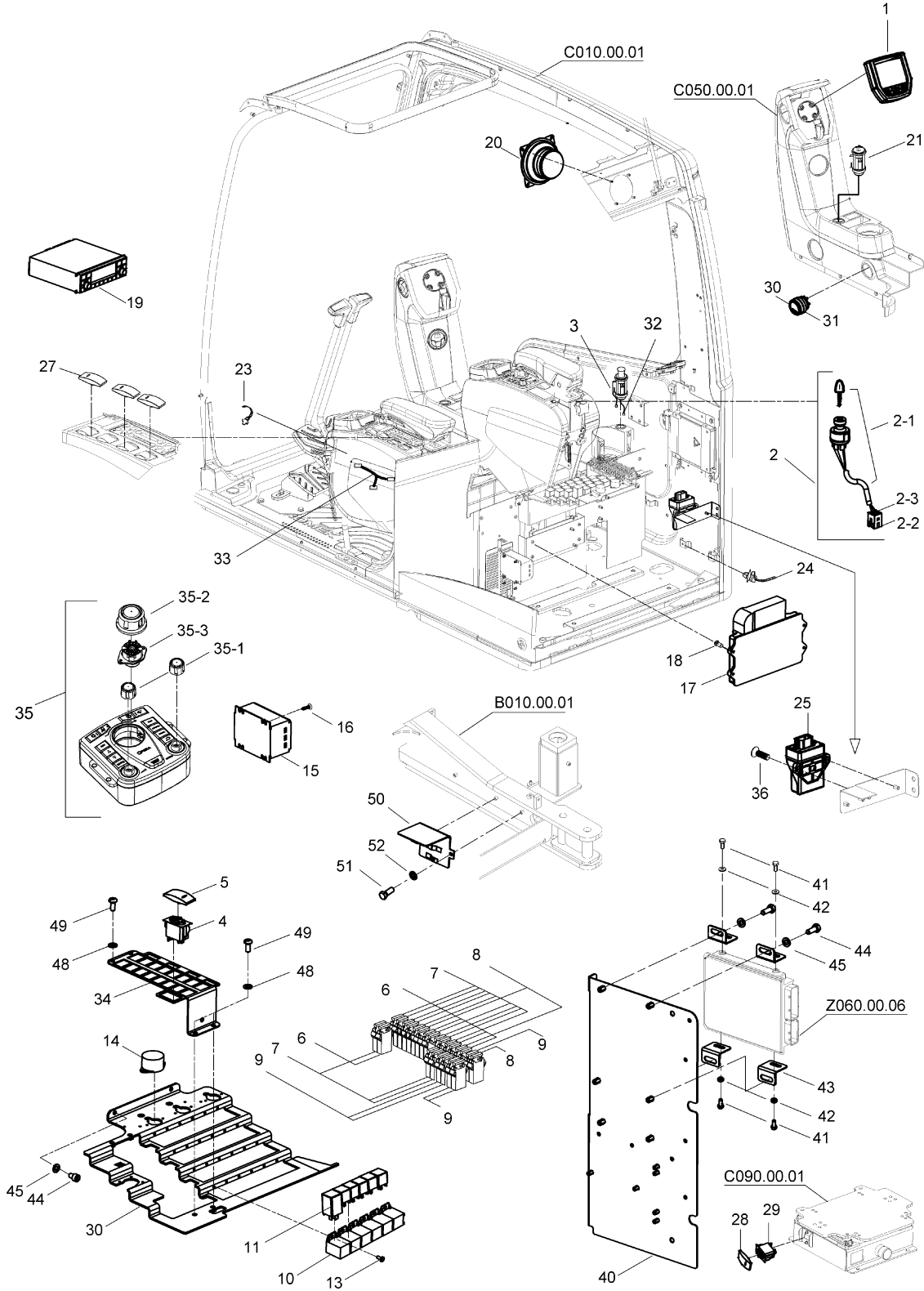
**ELEKTRİK PARÇALARI (1)**  
**ELECTRIC PARTS (1)**



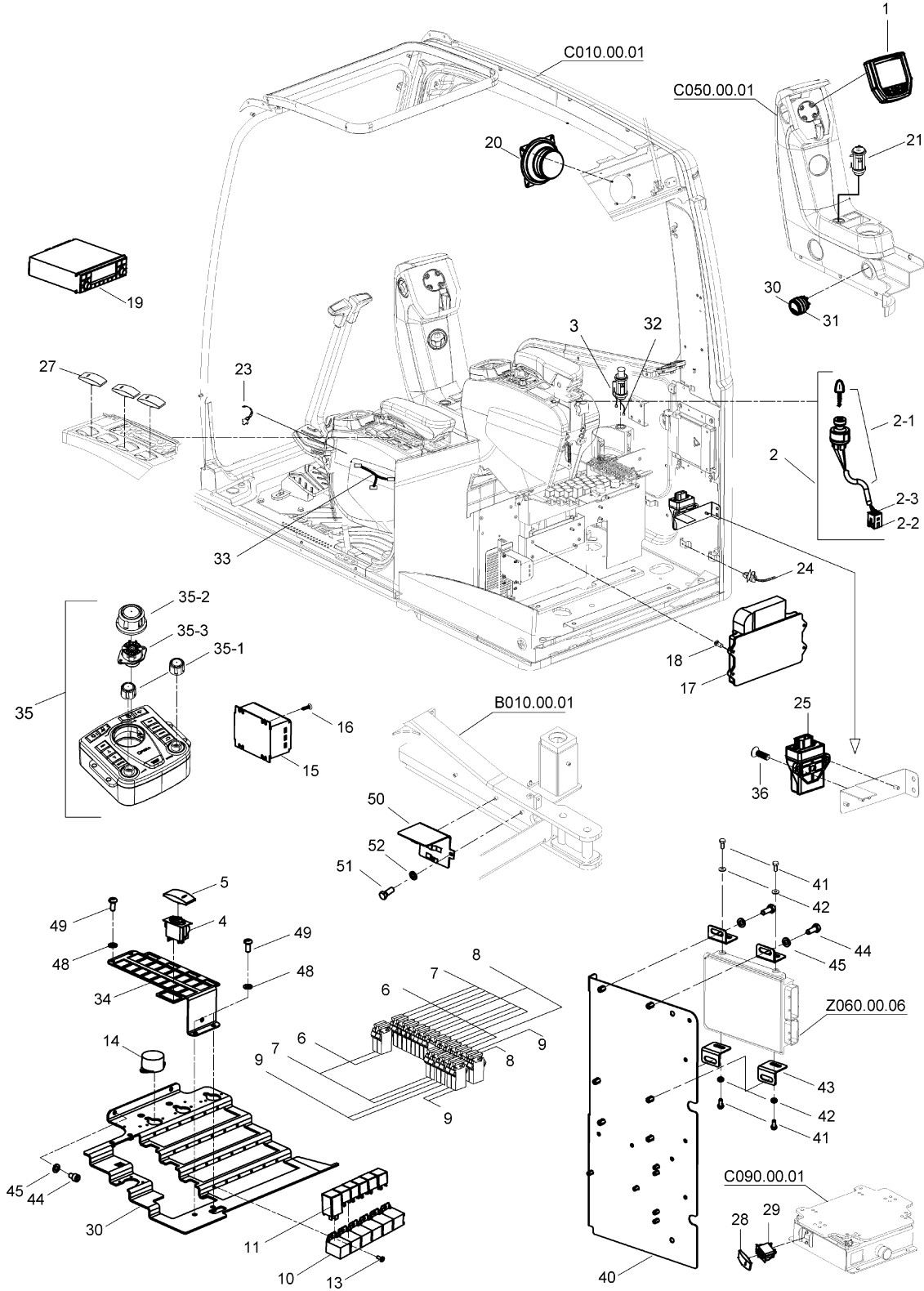
### ELEKTRİK PARÇALARI (1) ELECTRIC PARTS (1)



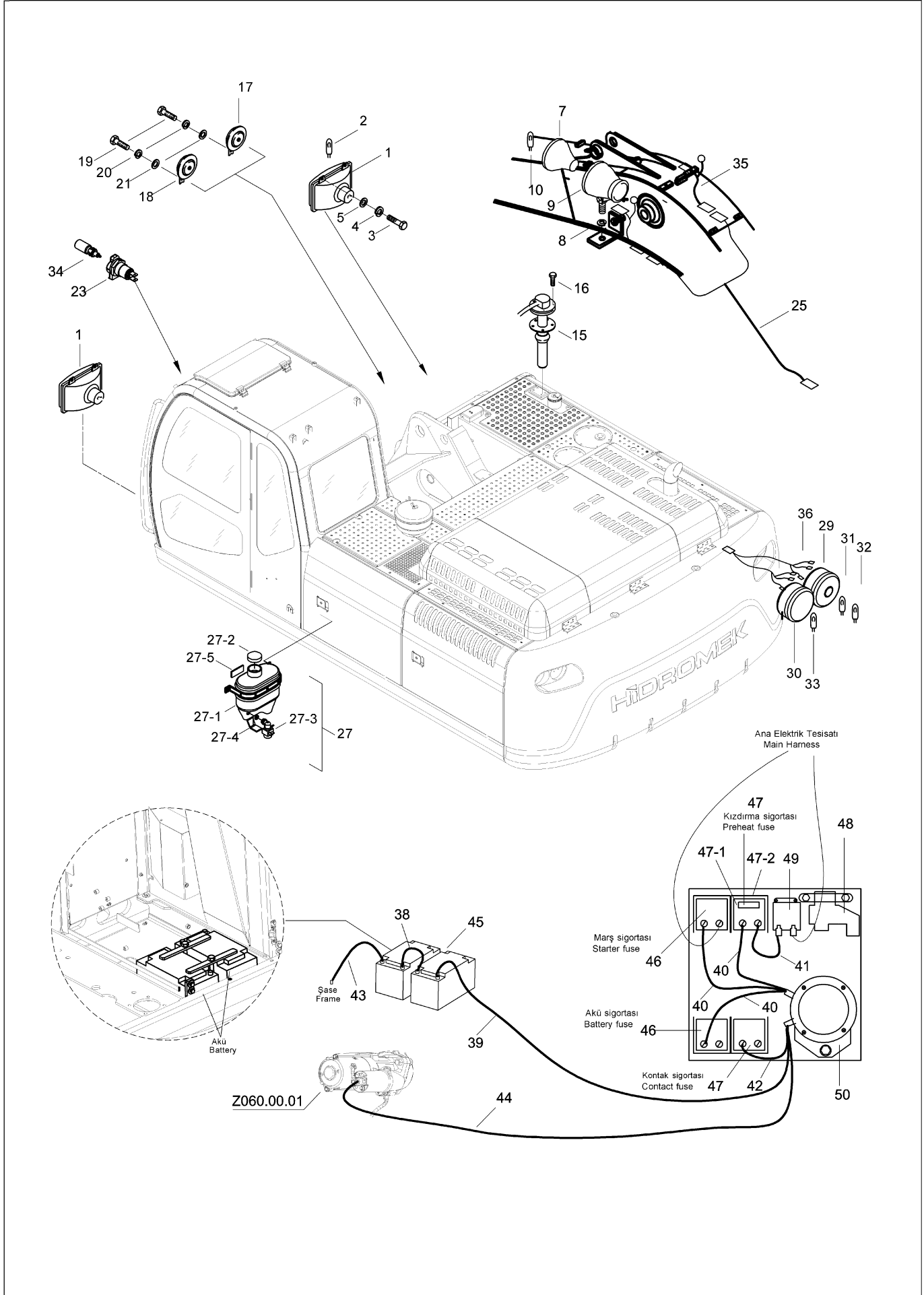
### ELEKTRİK PARÇALARI (1) ELECTRIC PARTS (1)



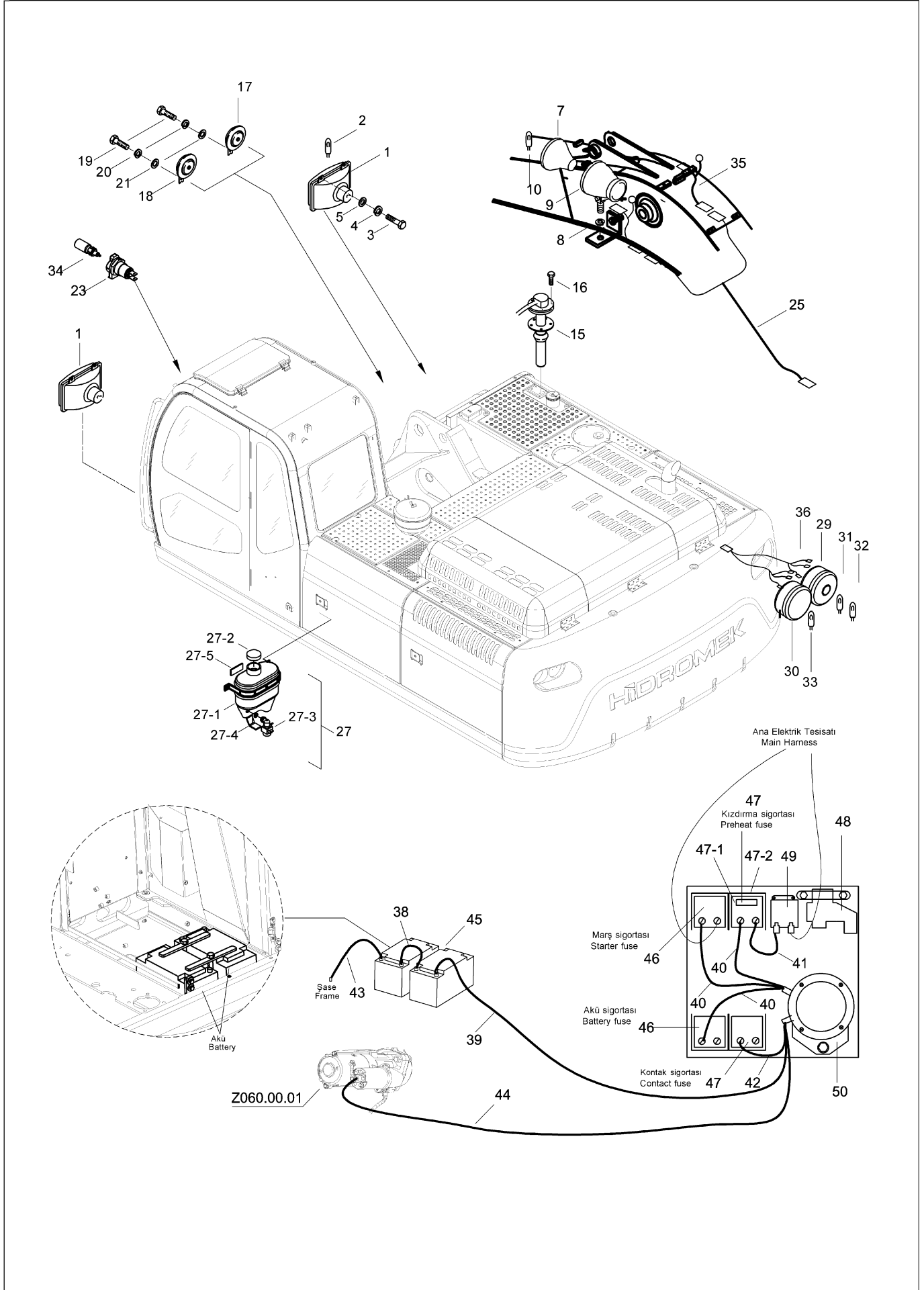
### ELEKTRİK PARÇALARI (1) ELECTRIC PARTS (1)



## ELEKTRİK PARÇALARI (2) ELECTRIC PARTS (2)

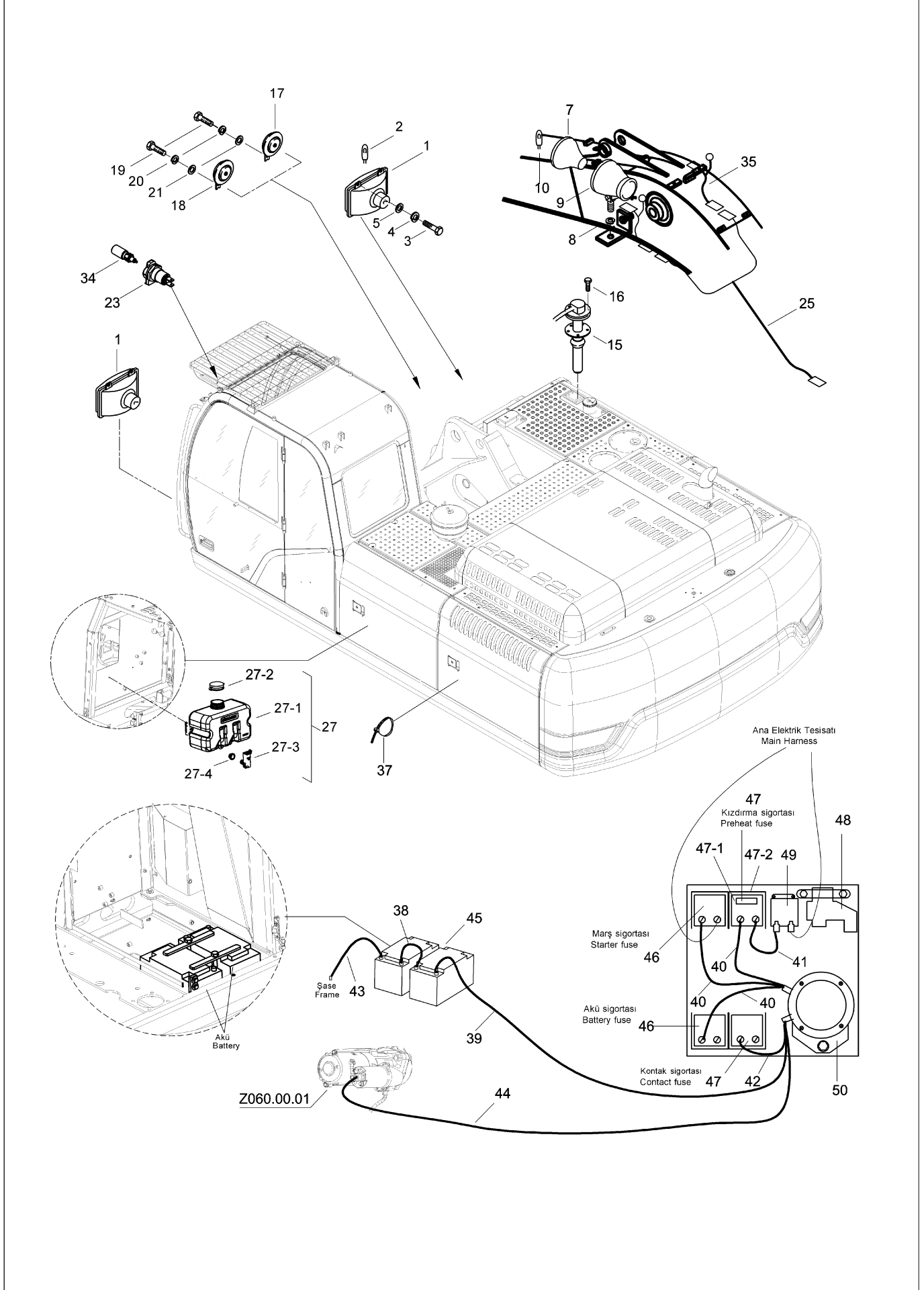


## ELEKTRİK PARÇALARI (2) ELECTRIC PARTS (2)

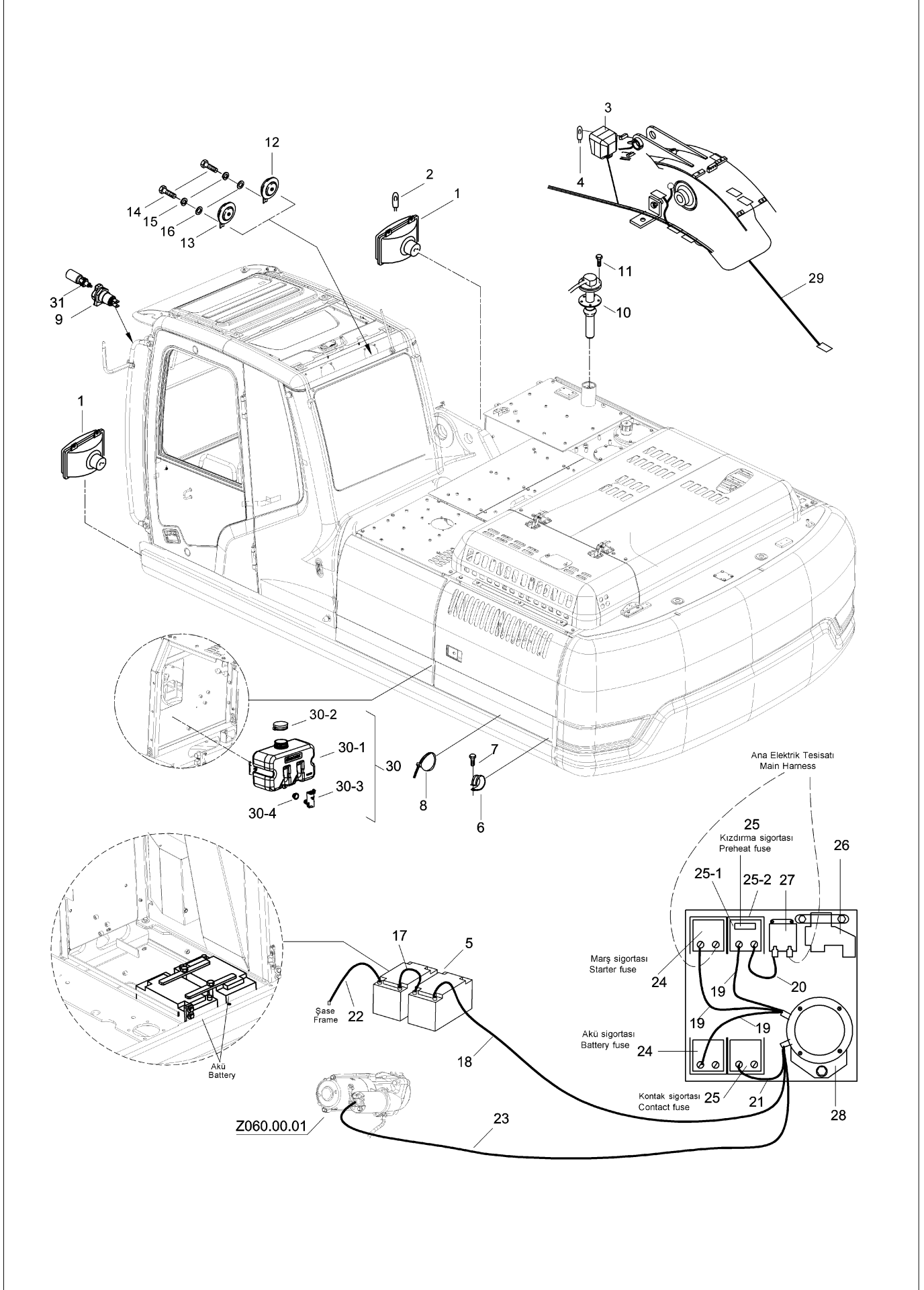




## ELEKTRİK PARÇALARI (2) ELECTRIC PARTS (2)

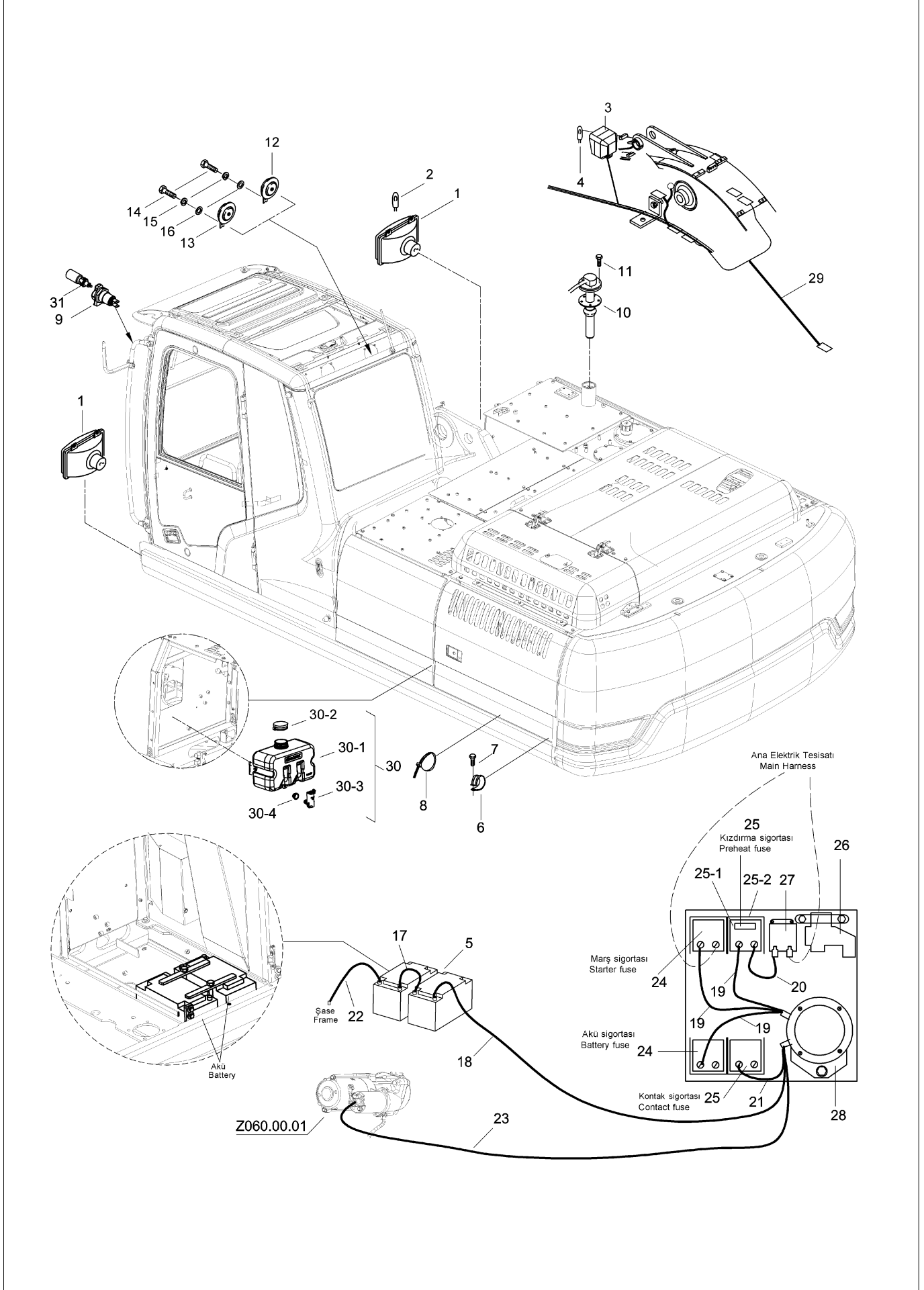


## ELEKTRİK PARÇALARI (2) ELECTRIC PARTS (2)

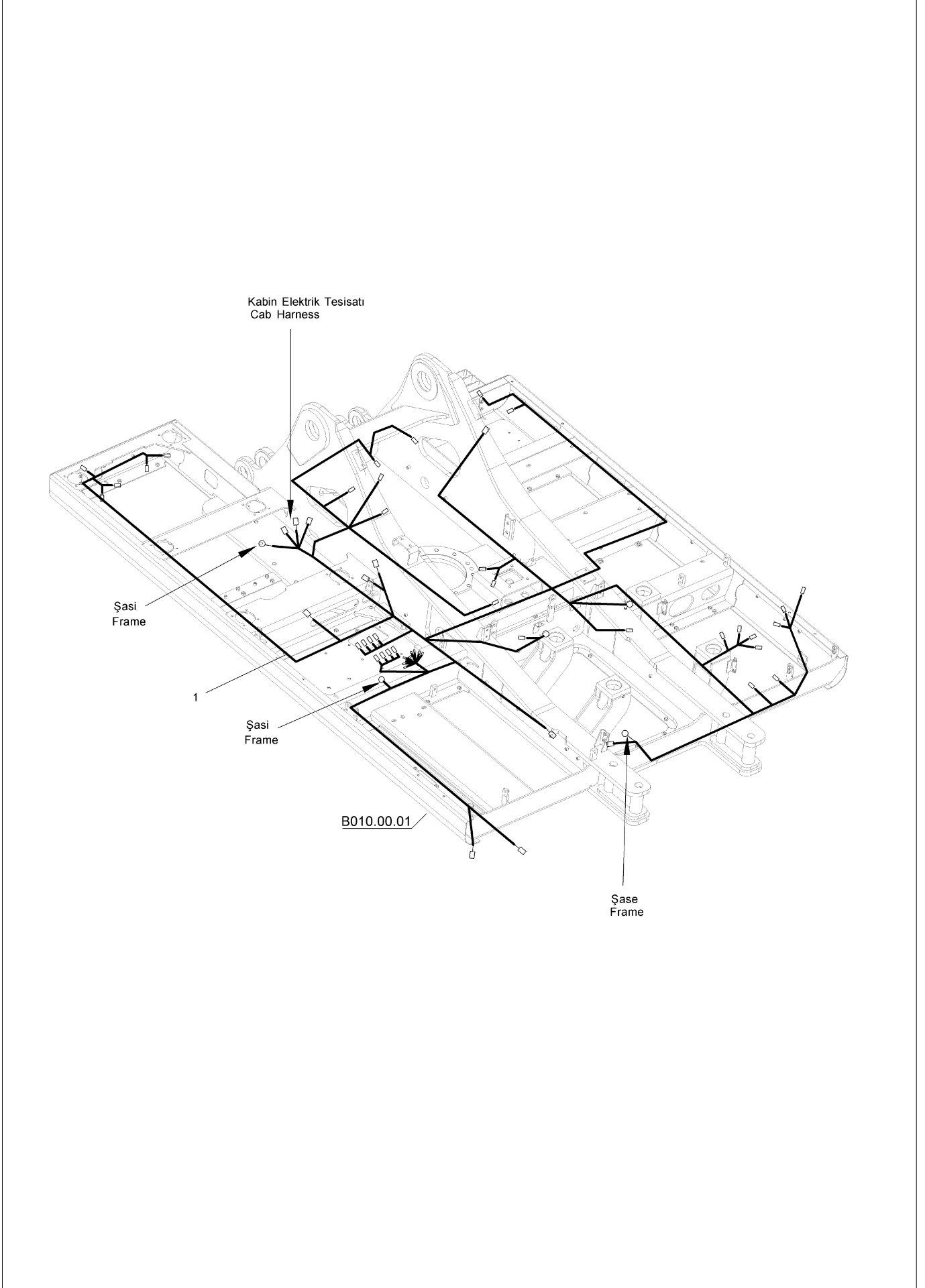


## ELEKTRİK PARÇALARI (2)

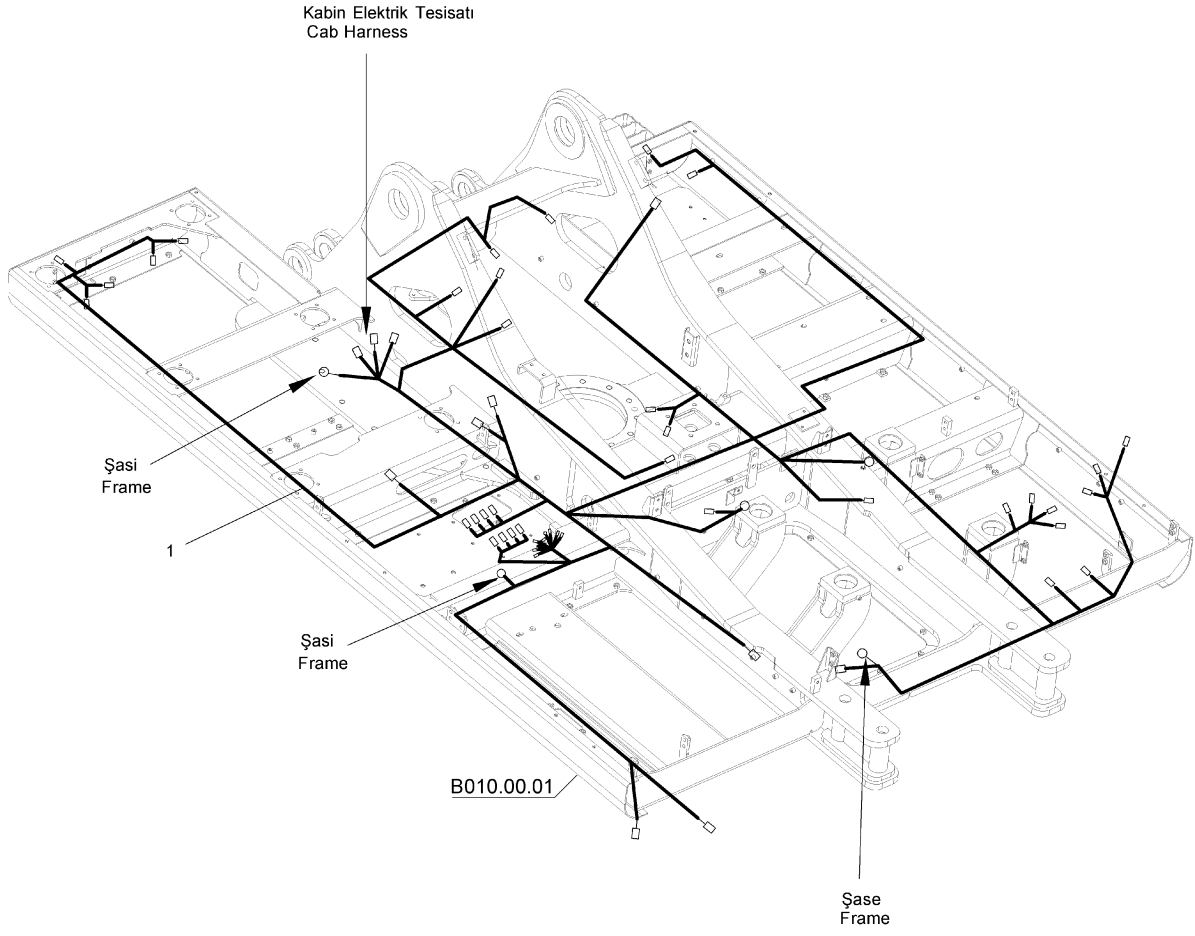
## ELECTRIC PARTS (2)



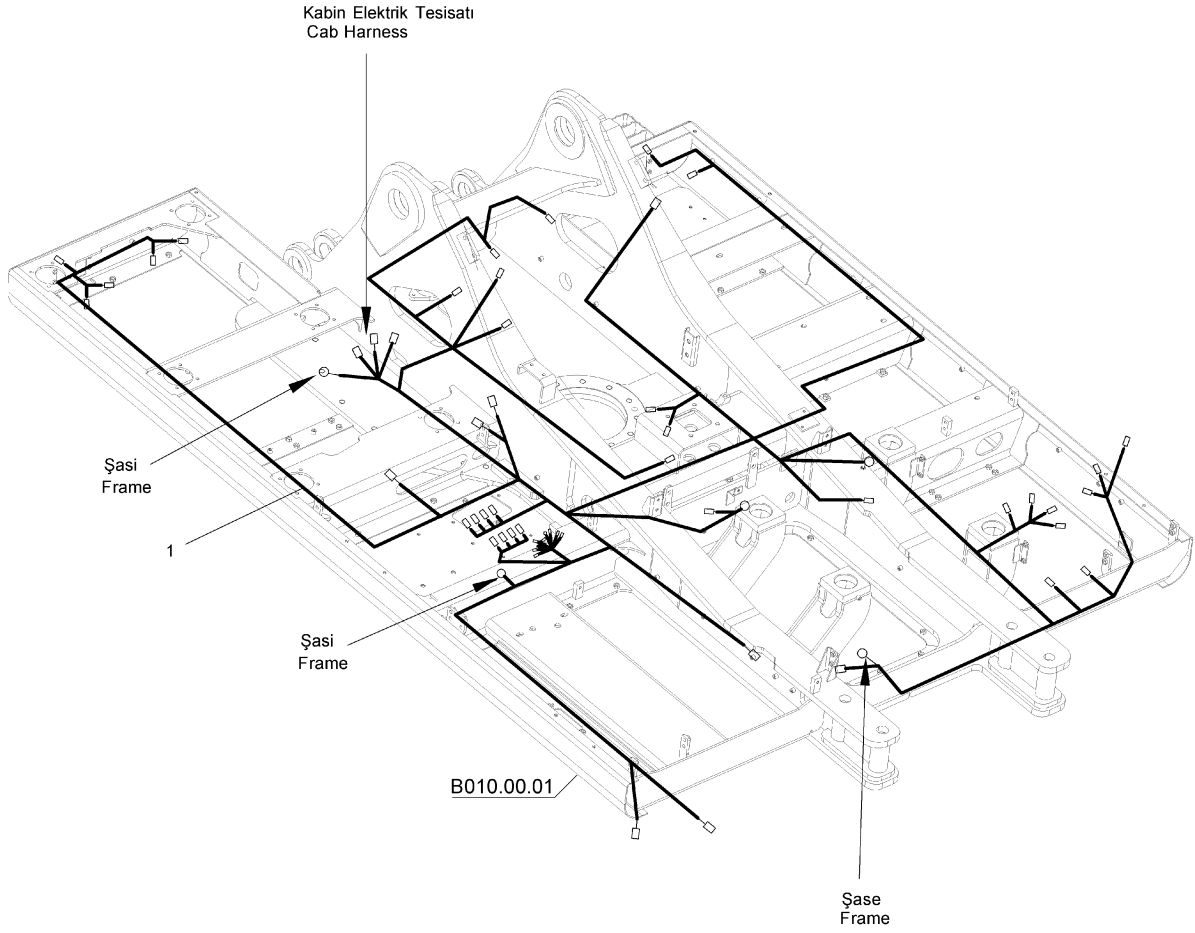
## ANA ELEKTRİK TESİSATI MAIN HARNESS

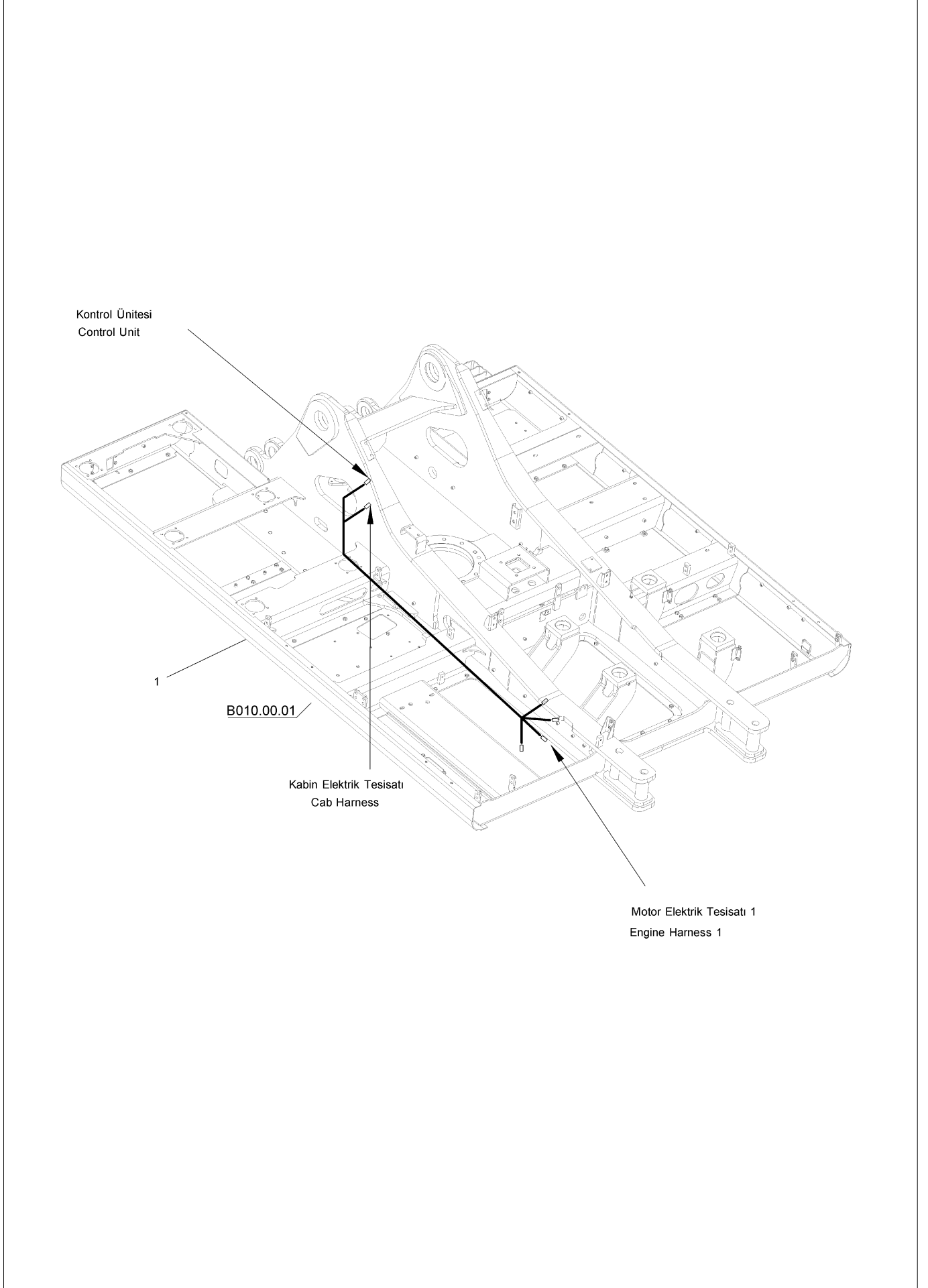


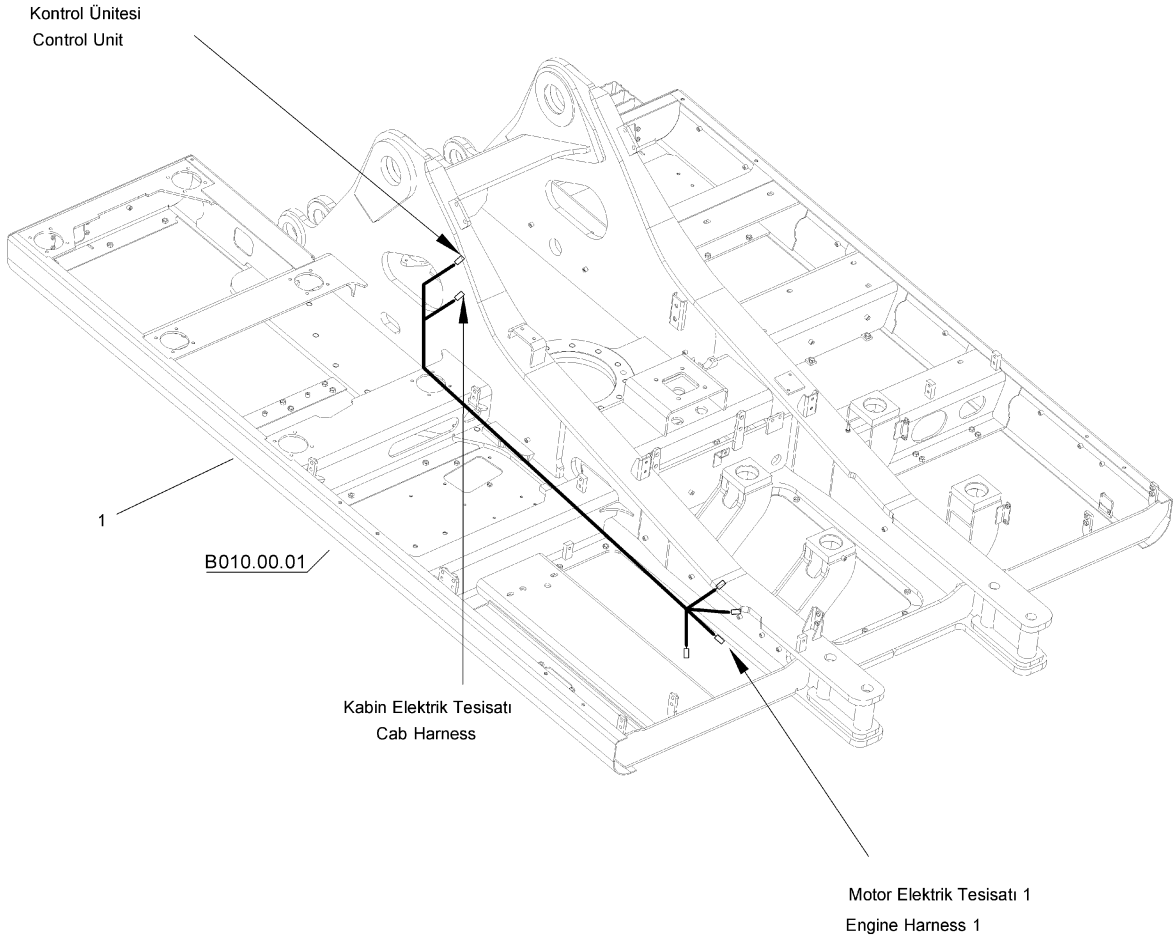
## ANA ELEKTRİK TESİSATI MAIN HARNESS



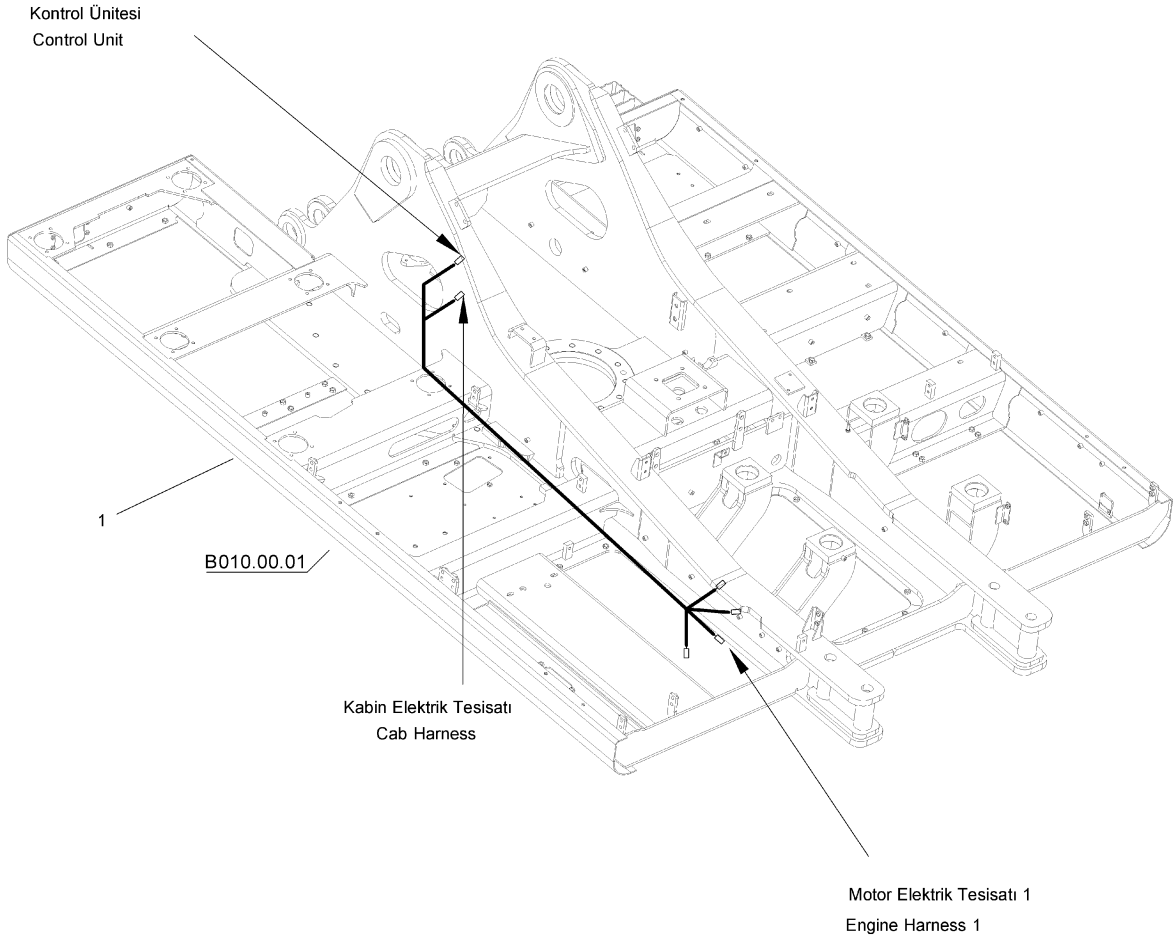
## ANA ELEKTRİK TESİSATI MAIN HARNESS



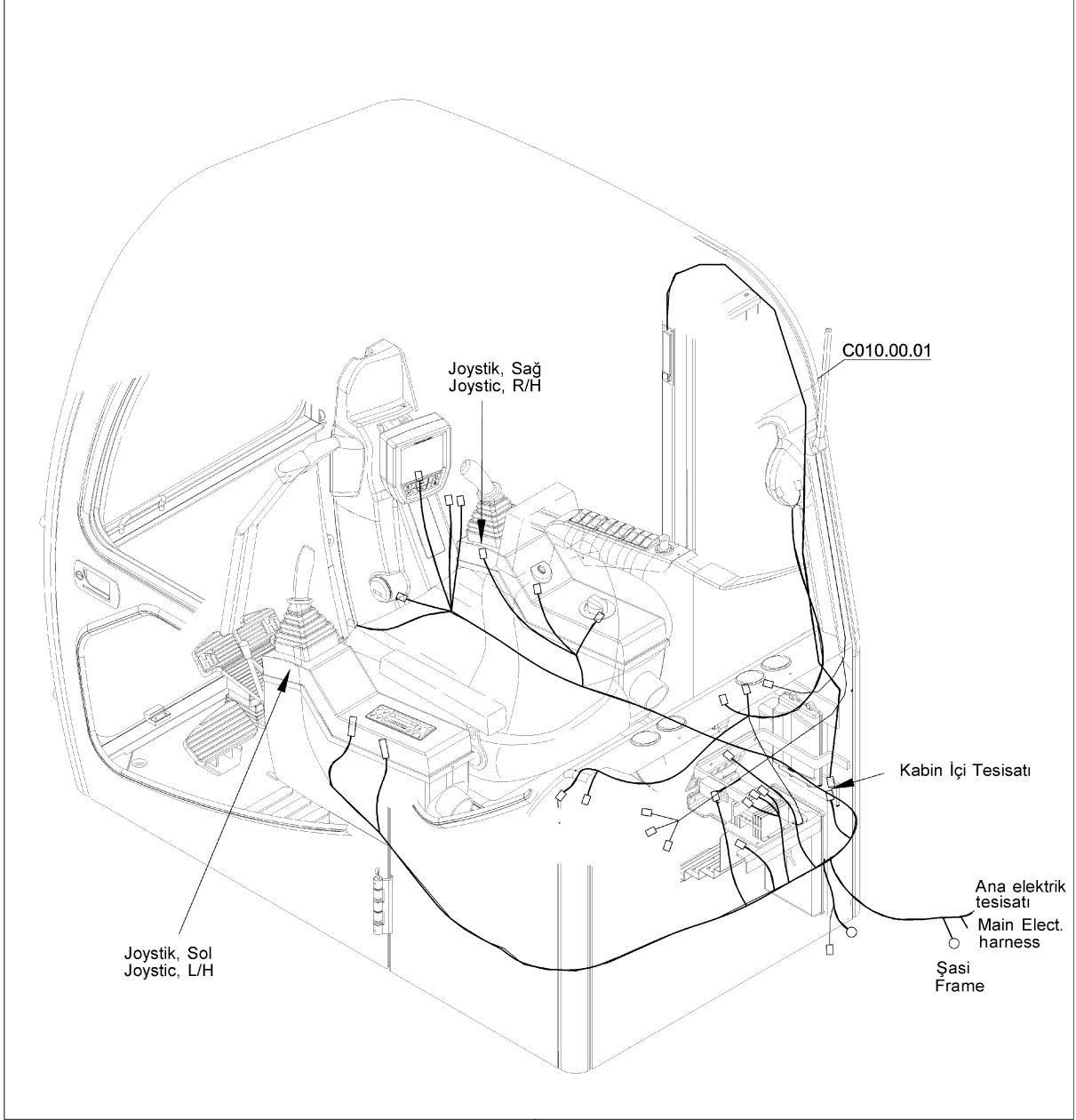
**MOTOR ELEKTRİK TESİSATI, ŞAŞİ  
ENGINE HARNESS, FRAME**

**MOTOR ELEKTRİK TESİSATI, ŞASI  
ENGINE HARNESS, FRAME**

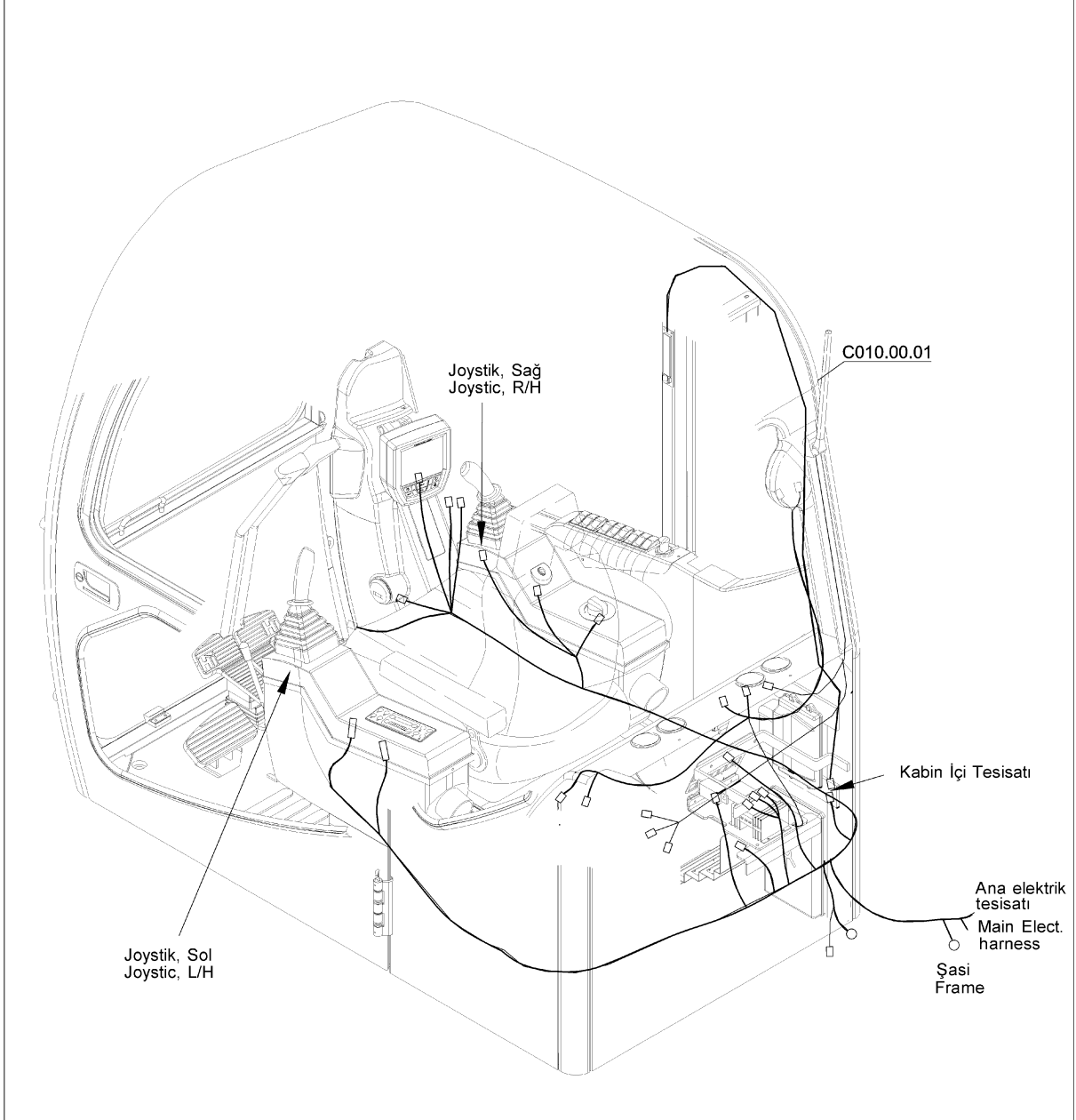


**MOTOR ELEKTRİK TESİSATI, ŞAŞİ  
ENGINE HARNESS, FRAME**

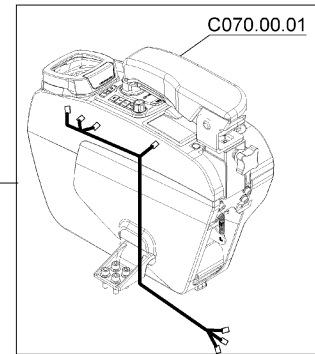
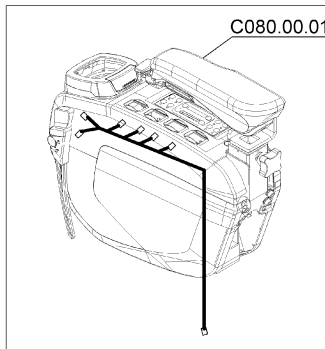
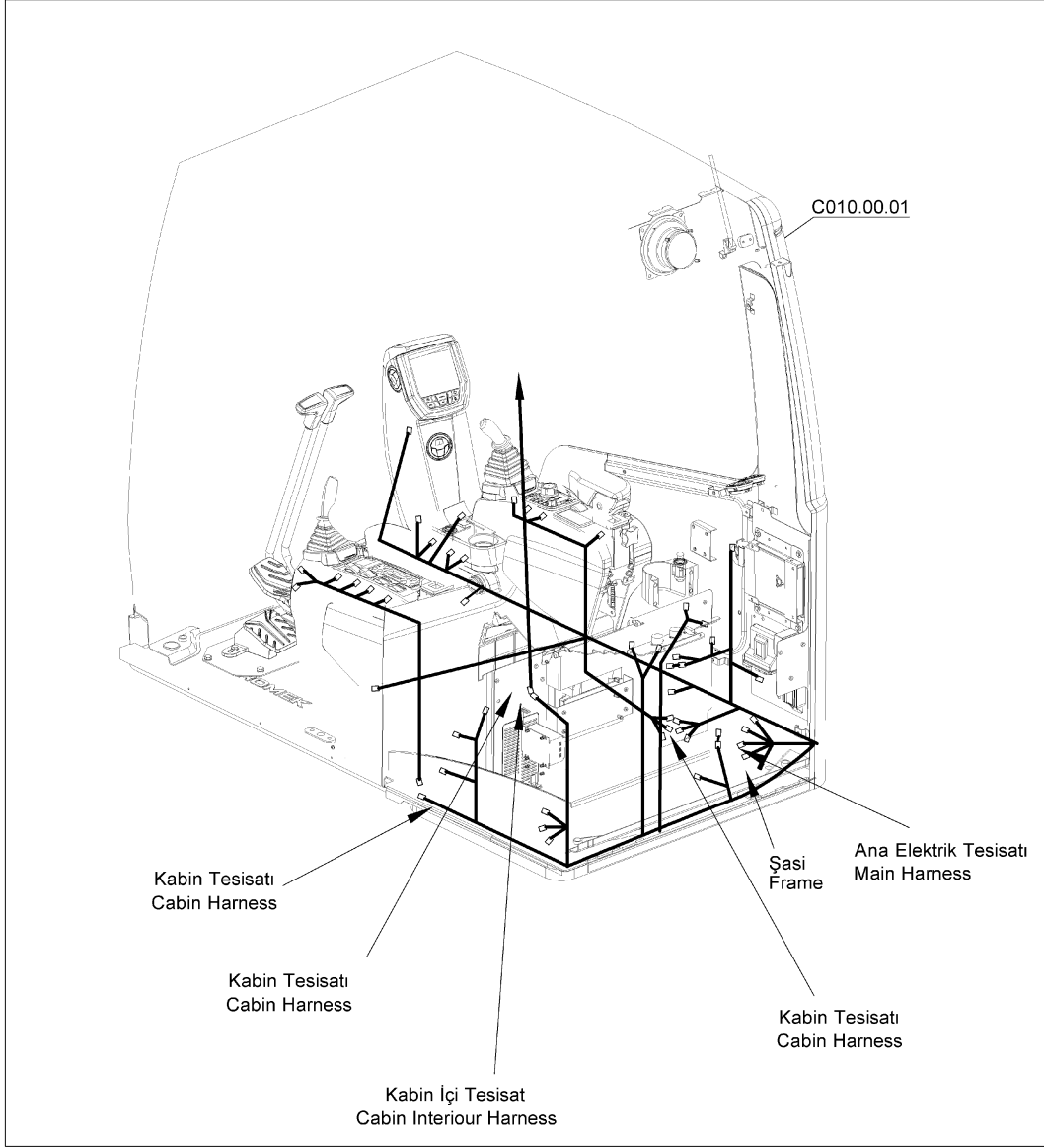
## KABİN ELEKTRİK TESİSATI OPERATOR CAB HARNESS



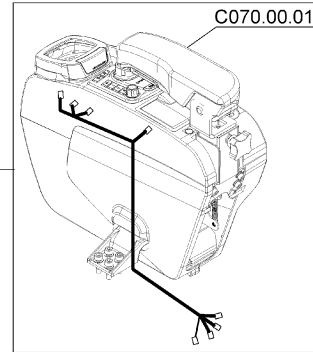
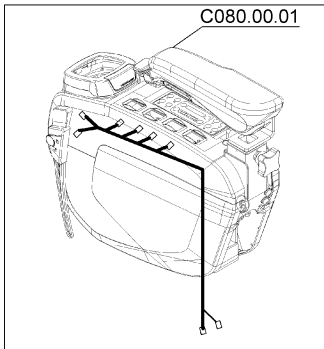
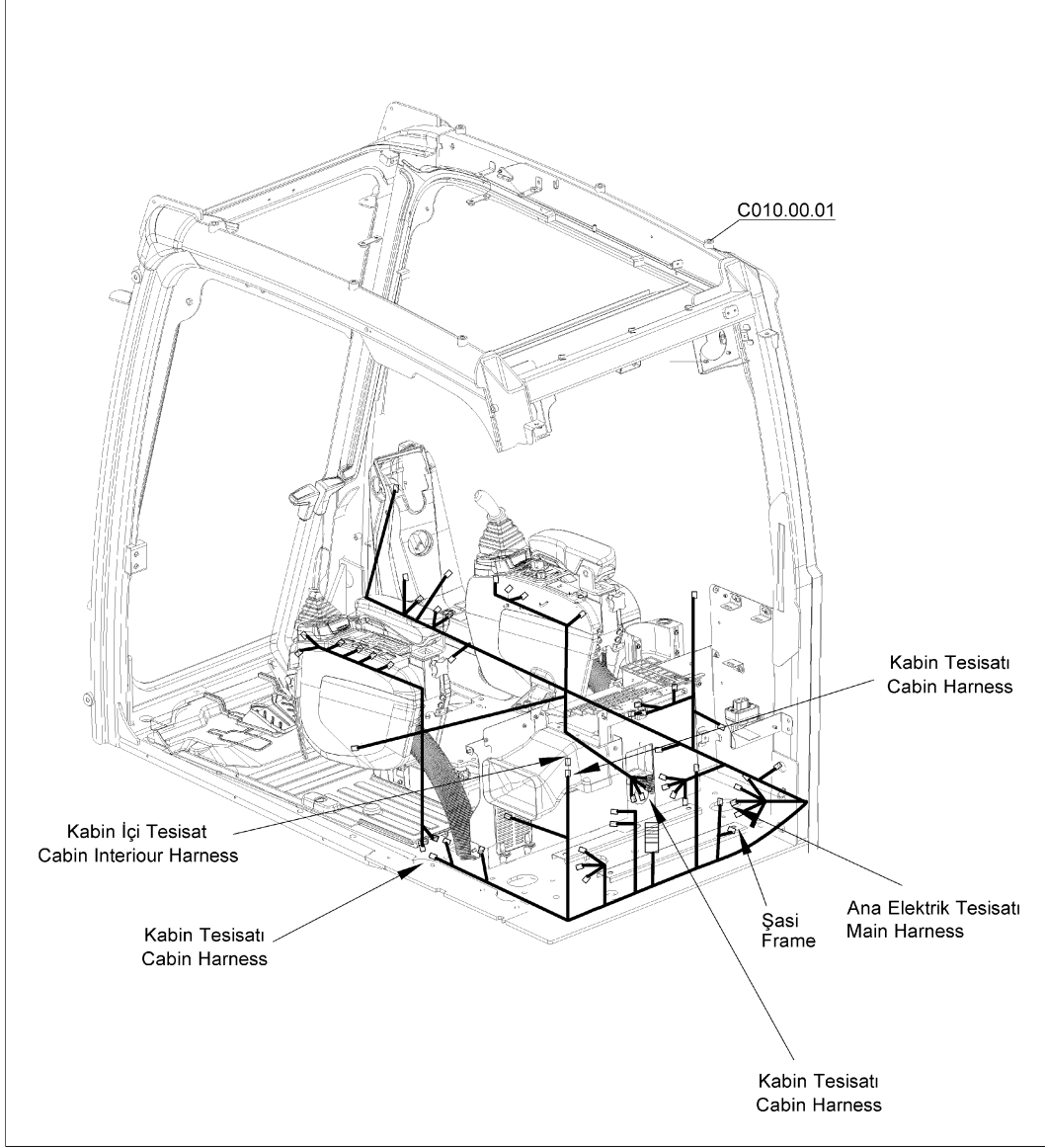
## KABİN ELEKTRİK TESİSATI OPERATOR CAB HARNESS



## KABİN ELEKTRİK TESİSATI OPERATOR CAB HARNESS

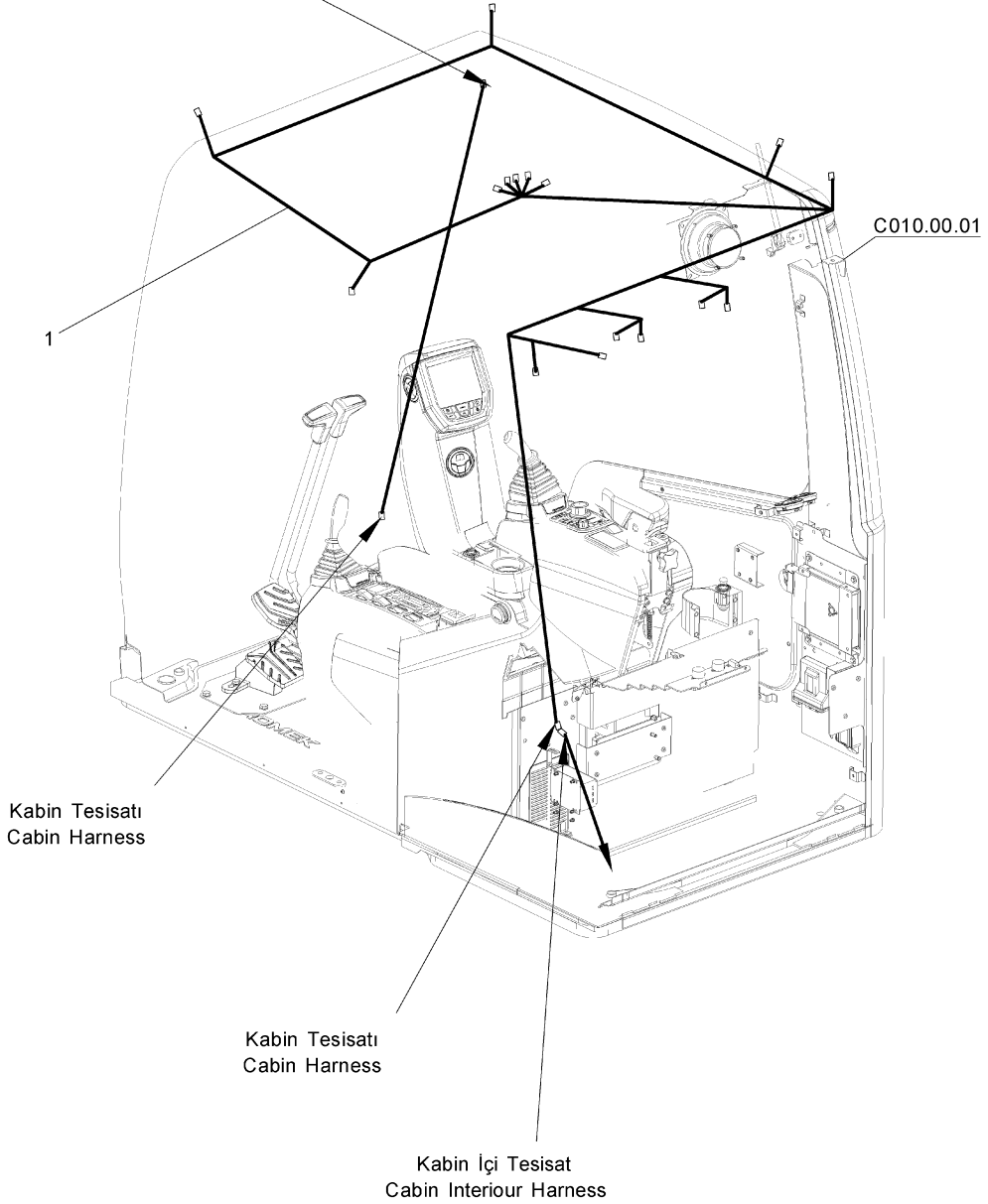


## KABİN ELEKTRİK TESİSATI OPERATOR CAB HARNESS

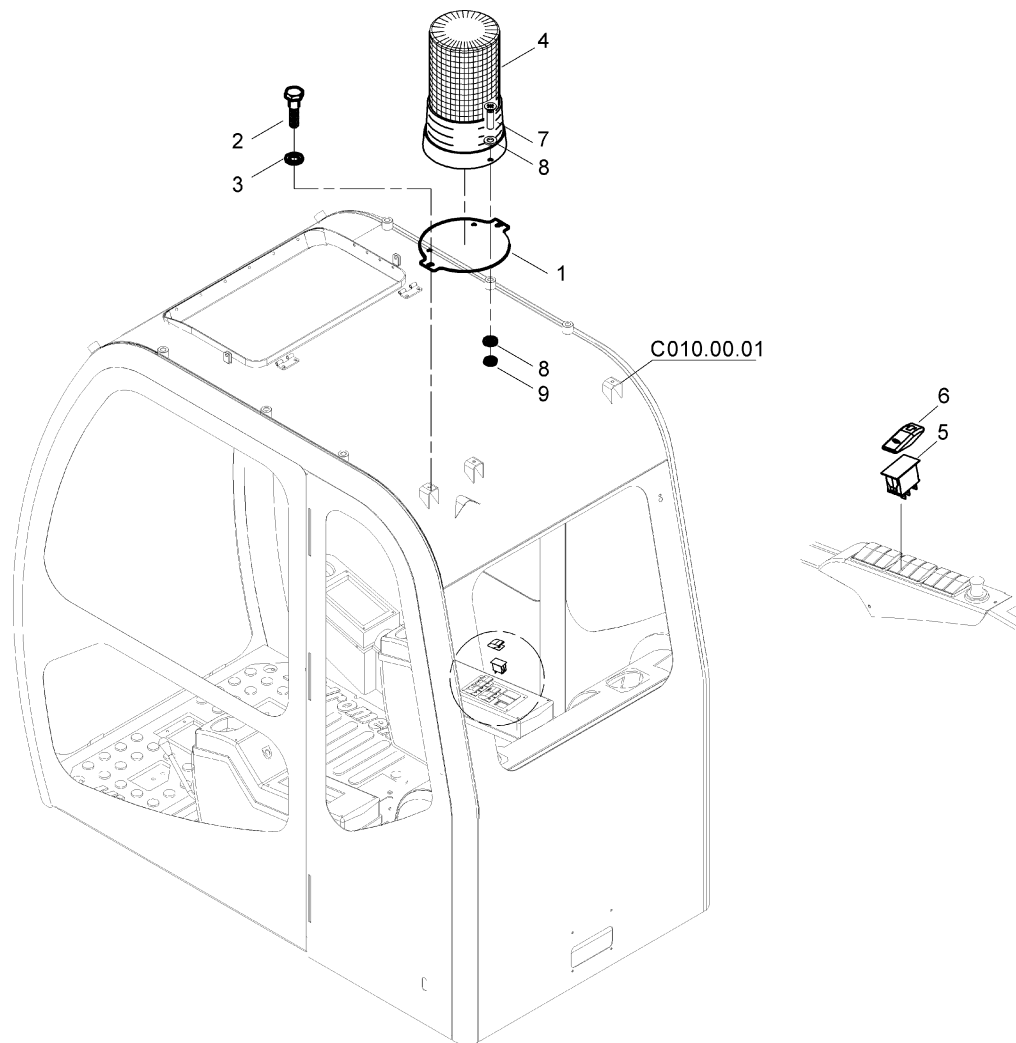


## KABİN İÇİ ELEKTRİK TESİSATI OPERATOR CAB INTERIOR HARNESS

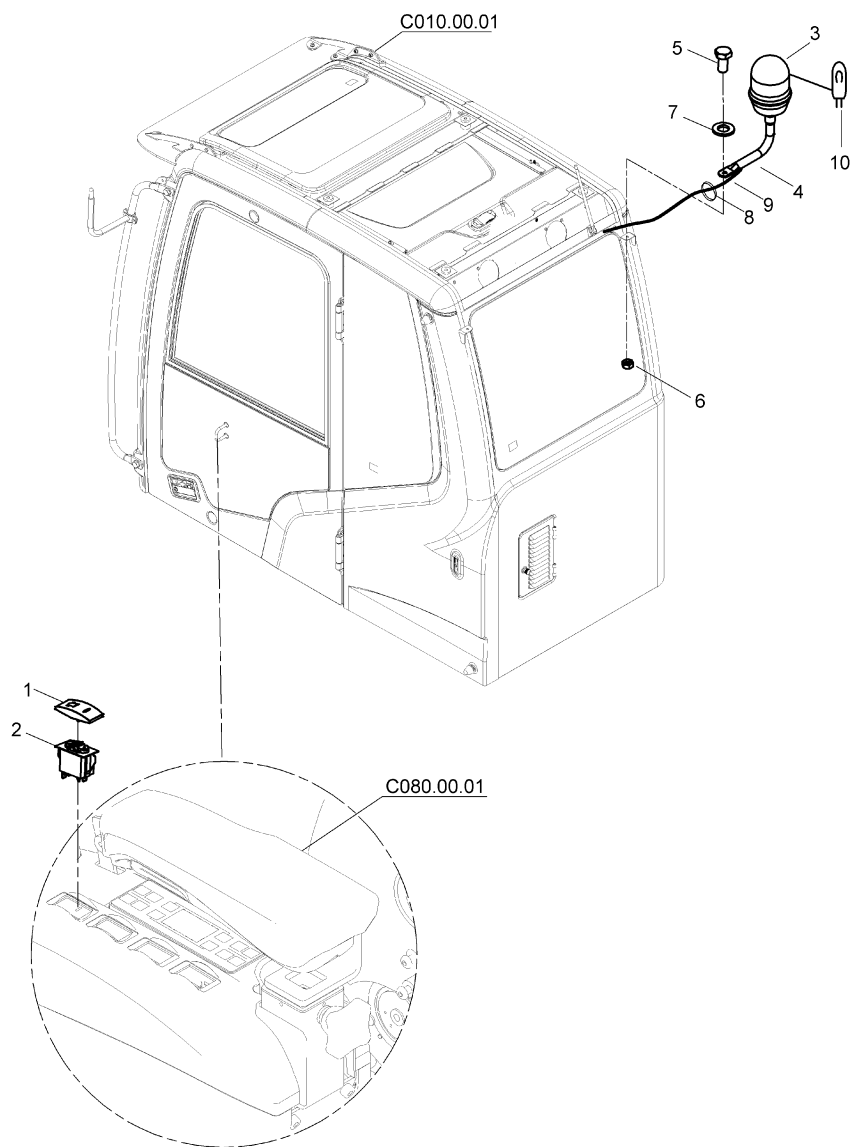
Silecek Motoru Emniyet Anah.  
Wiper Motor Safety Switch



**TEPE LAMBASI MONTAJI (OP)**  
**BEACON LAMP MOUNTING (OP)**

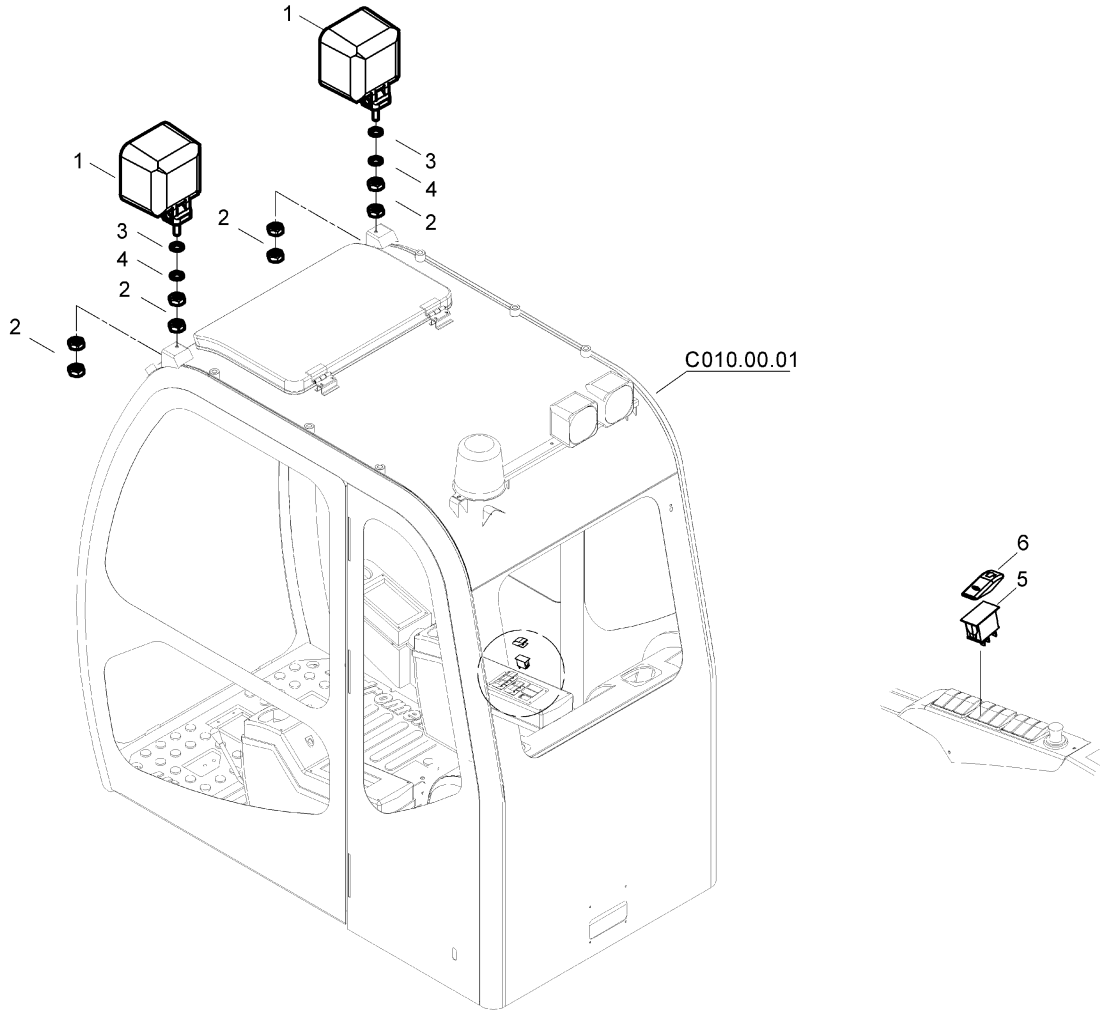


### TEPE LAMBASI MONTAJI (OP) BEACON LAMP MOUNTING (OP)

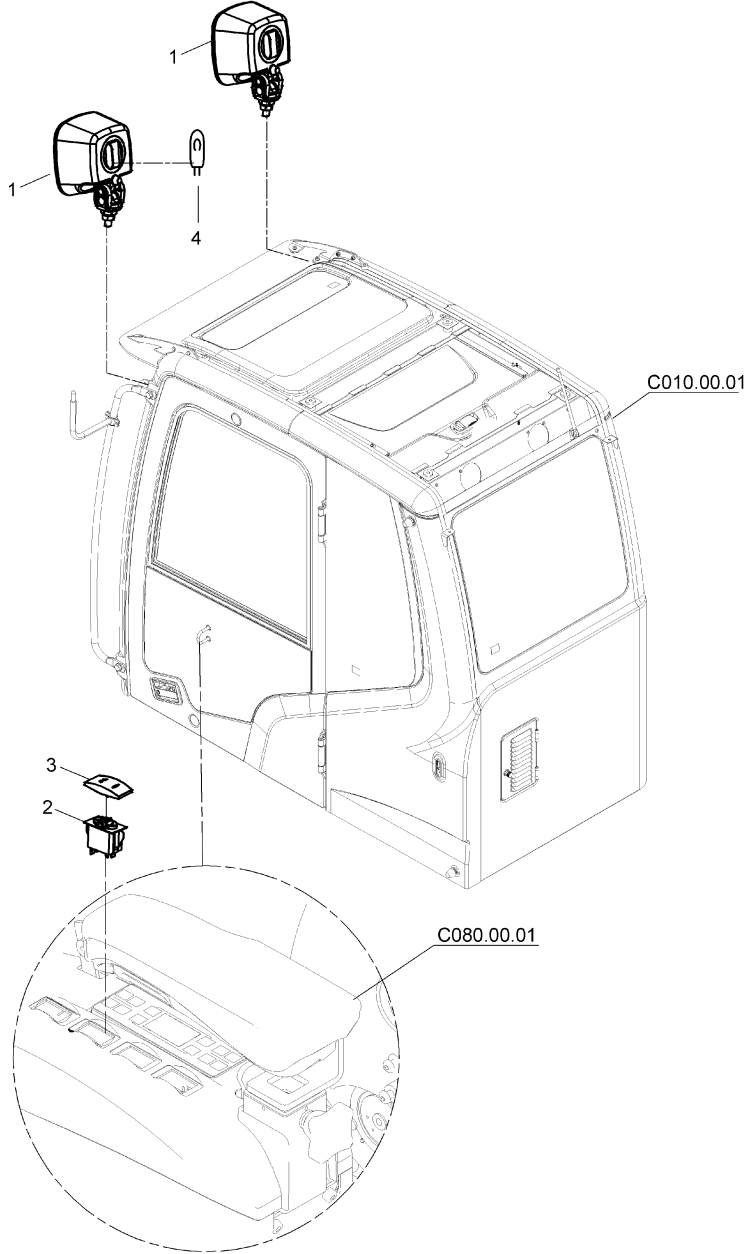


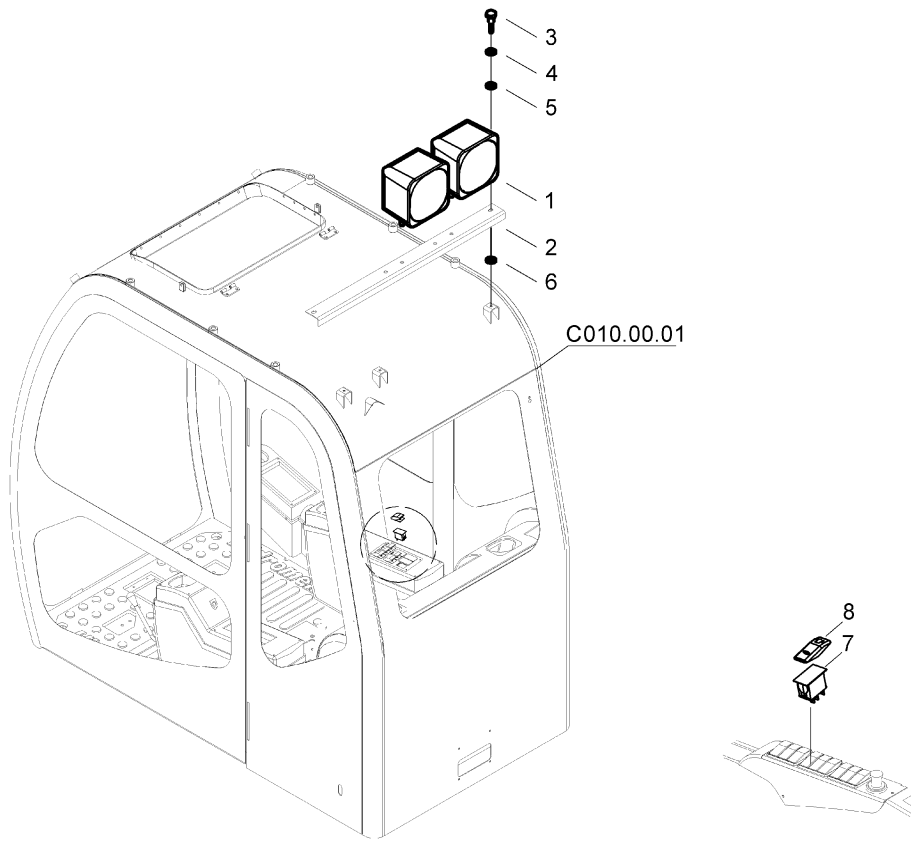


**ÖN ÇALIŞMA LAMBASI MONTAJI (OP)**  
**WORK LAMP MOUNTING, FRONT (OP)**

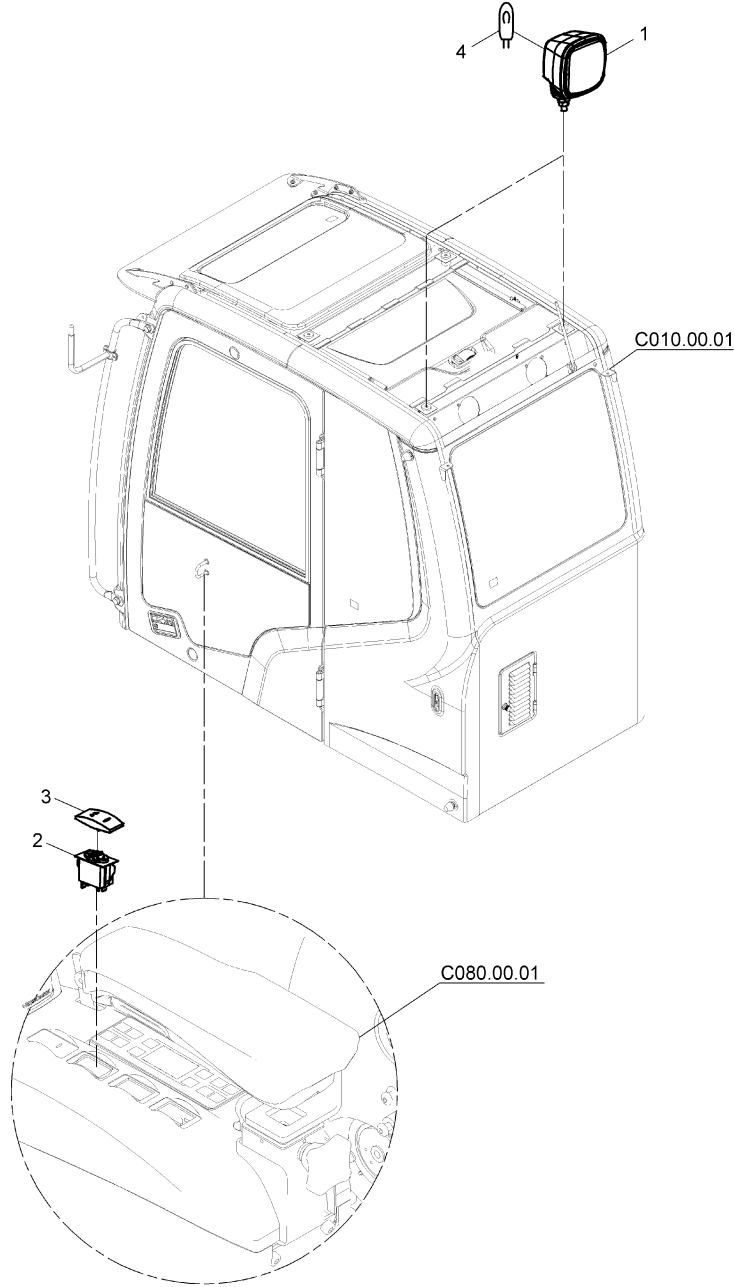


**ÖN ÇALIŞMA LAMBASI MONTAJI (OP)**  
**WORK LAMP MOUNTING, FRONT (OP)**

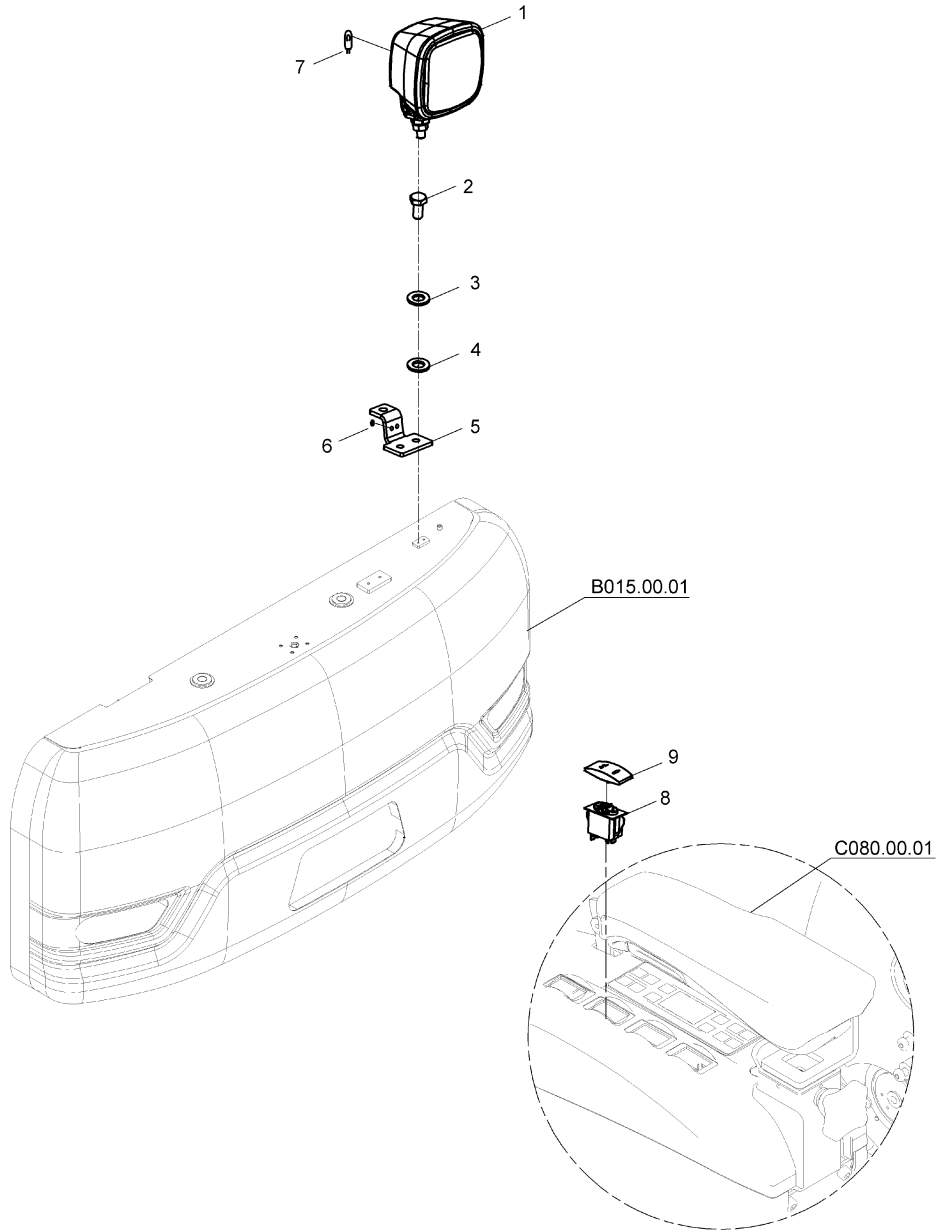


**ARKA ÇALIŞMA LAMBASI MONTAJI (OP)**  
**WORK LAMP MOUNTING, REAR (OP)**

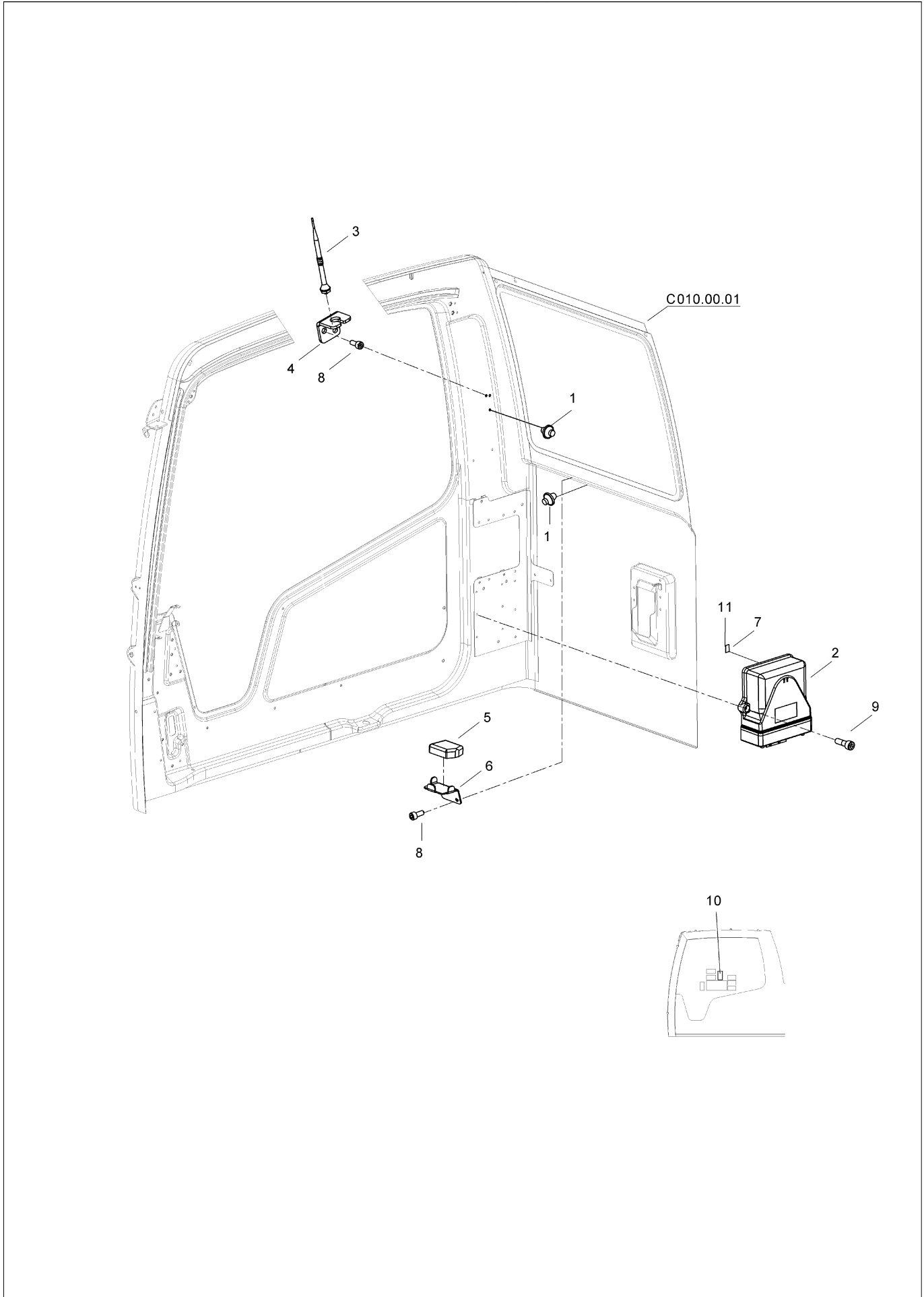
ARKA ÇALIŞMA LAMBASI MONTAJI (OP)  
WORK LAMP MOUNTING, REAR (OP)



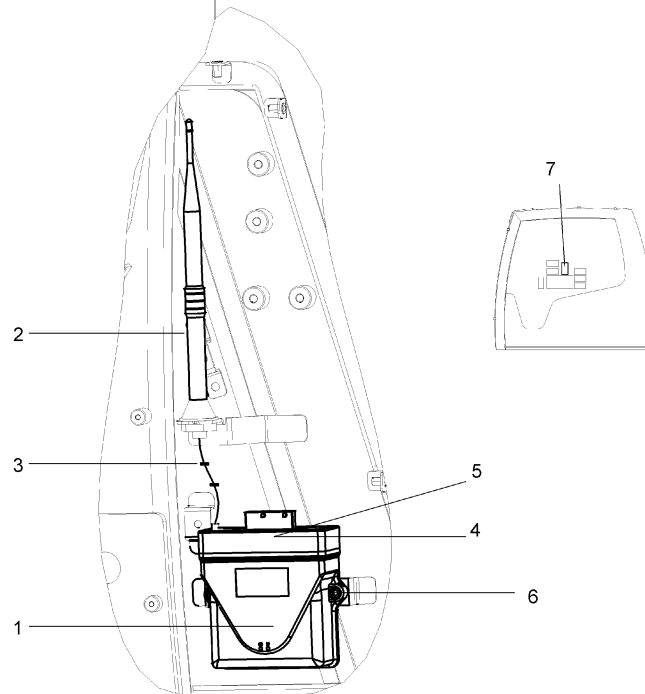
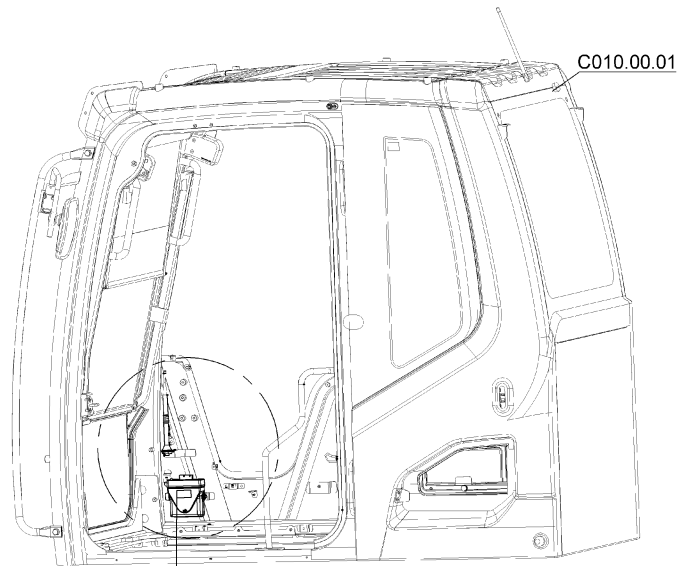
ARKA AĞIRLIK ÇALIŞMA LAMBASI MONTAJI (OP)  
WORK LAMP MOUNTING, COUNTERWEIGHT (OP)



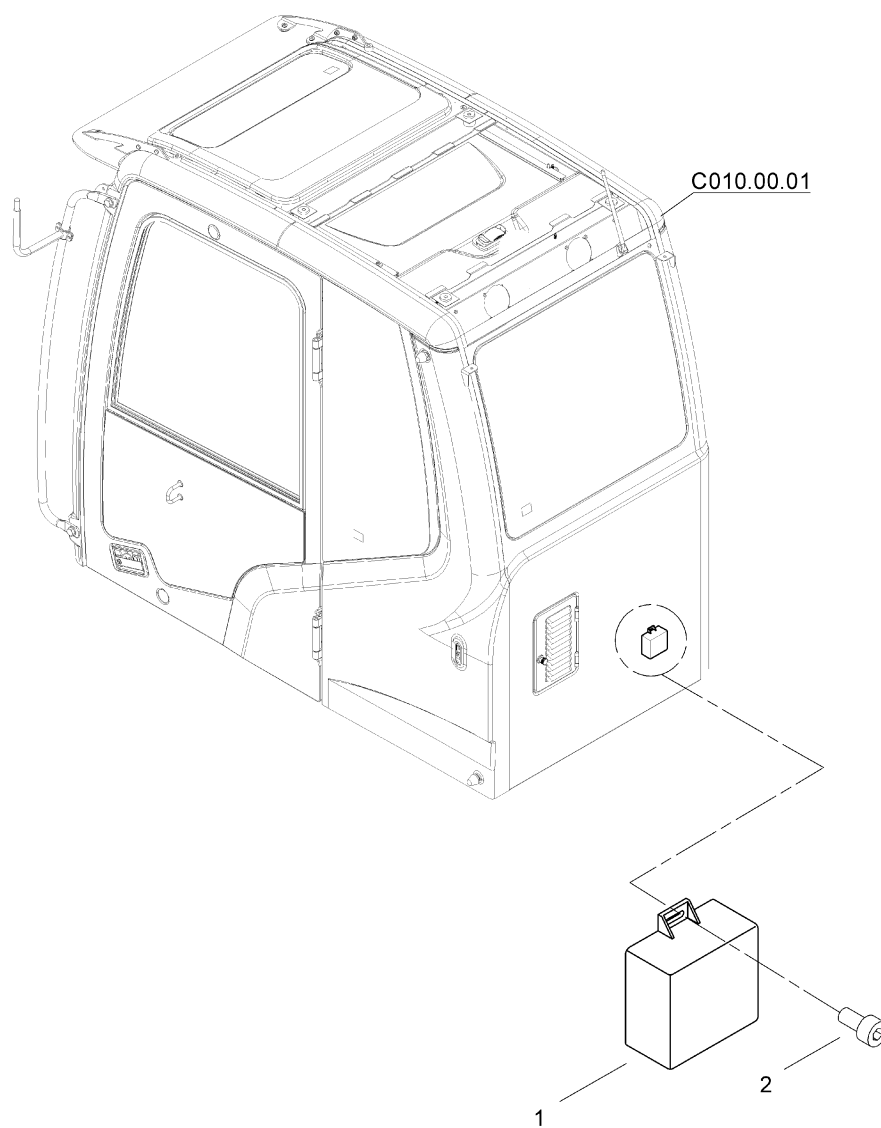
SMARTLINK (OP)  
SMARTLINK (OP)



**SMARTLINK (OP)**  
**SMARTLINK (OP)**

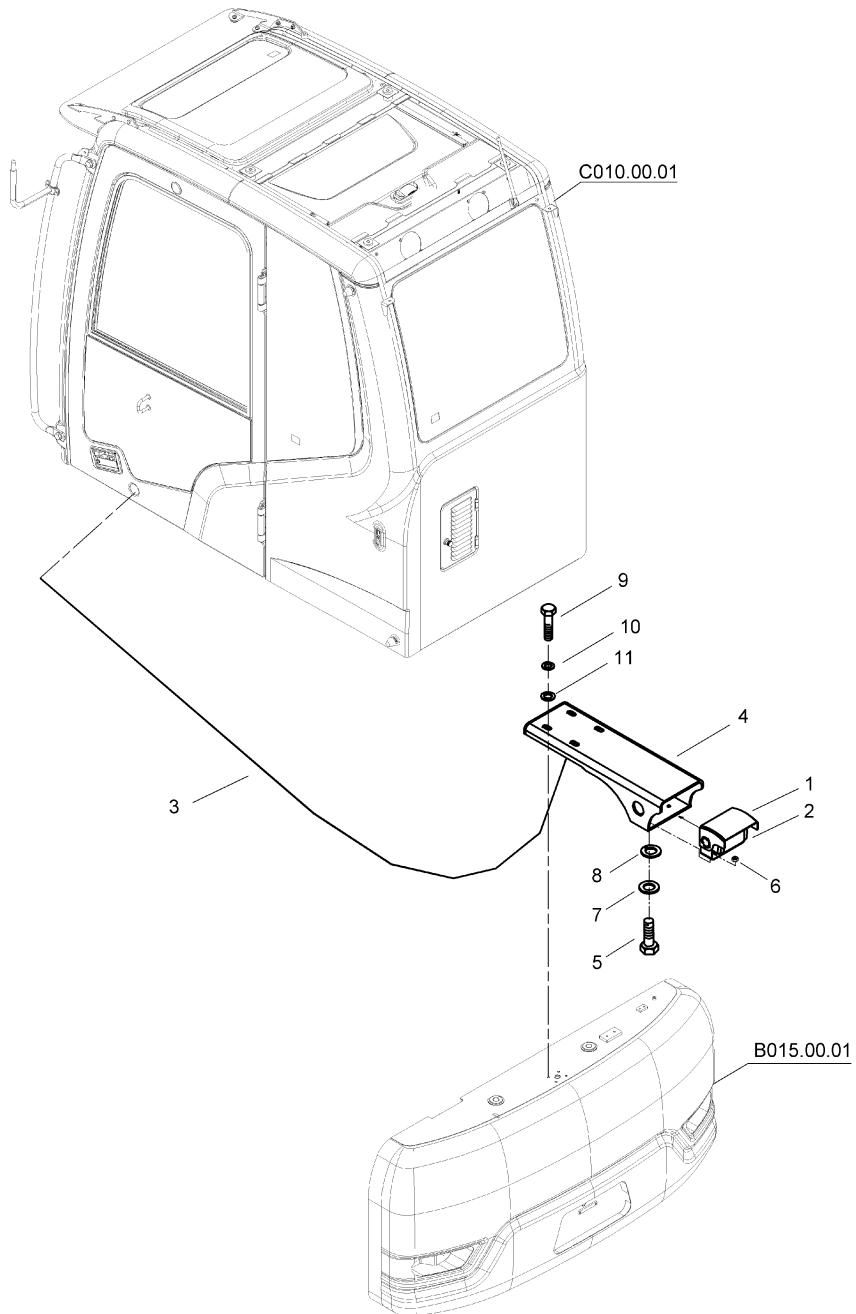


IMMOBILIZER (OP)  
IMMOBILIZER (OP)

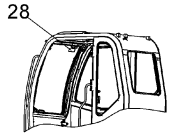




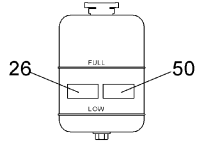
KAMERA MONTAJI, ARKA GÖRÜŞ (OP)  
CAMERA MOUNTING, REAR VIEW (OP)



## ETİKETLER (TÜRKÇE) DECALS (TURKISH)

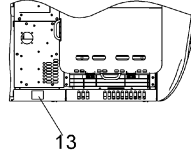


28  
KABİN İÇ GÖRÜNÜŞÜ  
CAB INSIDE VIEW

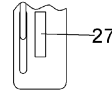


26  
REZERVAİR TANKI  
RESERVOIR TANK

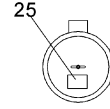
AKÜ KUTUSUNUN İÇİNDE  
INSIDE ACCUMULATÖR BOX



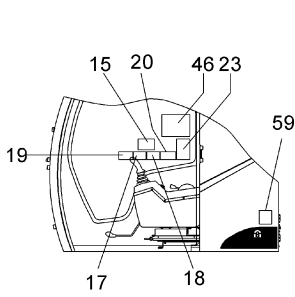
13  
AKÜ KUTUSU ÜST GÖRÜNÜŞÜ  
ACCUMULATÖR BOX / UPPER VIEW



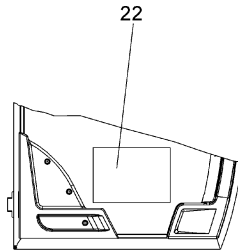
27  
SOL KONSOL ÖN GÖRÜNÜŞÜ  
LEFT CONSOLE FRONT VIEW



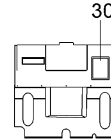
25  
HAVA FİLTRESİ  
AIR FILTER



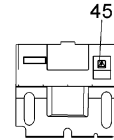
15 20 46 23 59  
17 18  
KABİN SAĞ İÇ KISIM GÖRÜNÜŞÜ  
CAB INSIDE VIEW / RIGHT



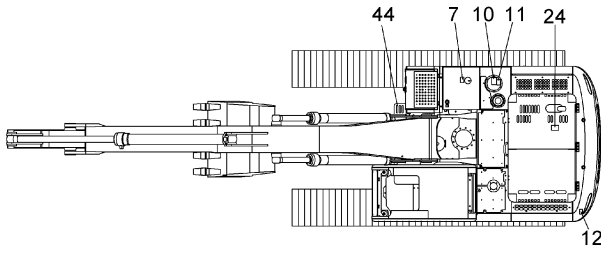
22  
KABİN KAPISI İÇ GÖRÜNÜŞÜ  
CAB DOOR / INSIDE VIEW



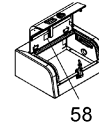
30  
KLİMA KAPAGI, ÖN GÖRÜNÜŞÜ  
AIR CON. COVER / FRONT VIEW



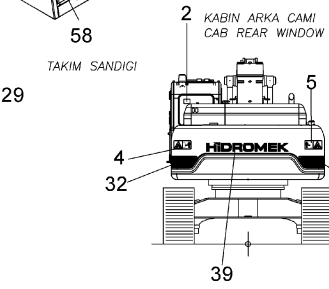
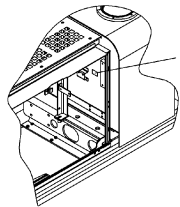
45  
KLİMA KAPAGI, ÖN GÖRÜNÜŞÜ  
AIR CON. COVER / FRONT VIEW



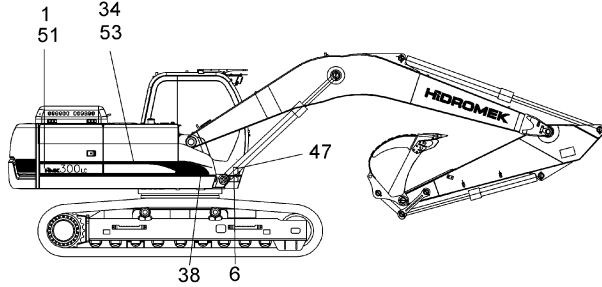
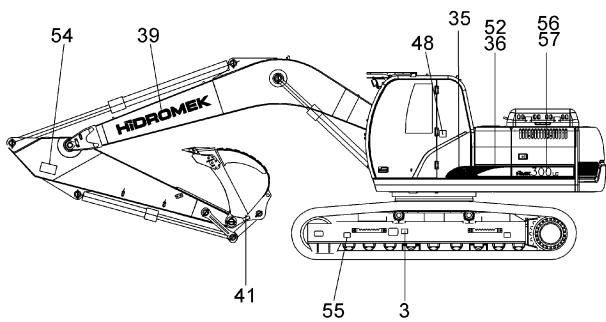
44 7 10 11 24  
12  
HİDROLİK DEPO  
HYDRAULIC TANK



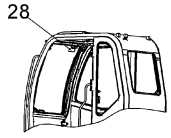
58  
TAKIM SANDIĞI



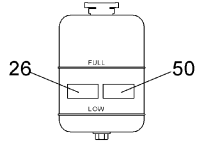
2  
KABİN ARKA CAMI  
CAB REAR WINDOW



## ETİKETLER (TÜRKÇE) DECALS (TURKISH)

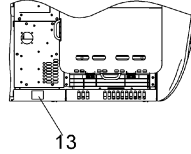


28  
KABİN İÇ GÖRÜNÜŞÜ  
CAB INSIDE VIEW

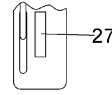


26  
REZERVAR TANKI  
RESERVOIR TANK

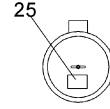
AKÜ KUTUSUNUN İÇİNDE  
INSIDE ACCUMULATOR BOX



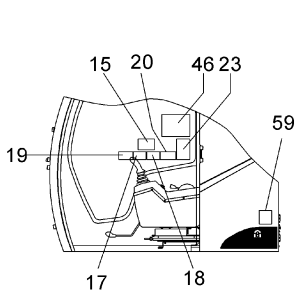
13  
AKÜ KUTUSU ÜST GÖRÜNÜŞÜ  
ACCUMULATOR BOX / UPPER VIEW



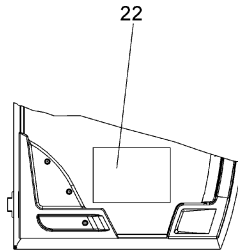
27  
SOL KONSOL ÖN GÖRÜNÜŞÜ  
LEFT CONSOLE FRONT VIEW



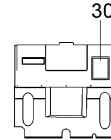
25  
HAVA FİLTRESİ  
AIR FILTER



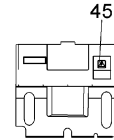
15 20 46 23 59  
17 18  
KABİN SAĞ İÇ KISIM GÖRÜNÜŞÜ  
CAB INSIDE VIEW / RIGHT



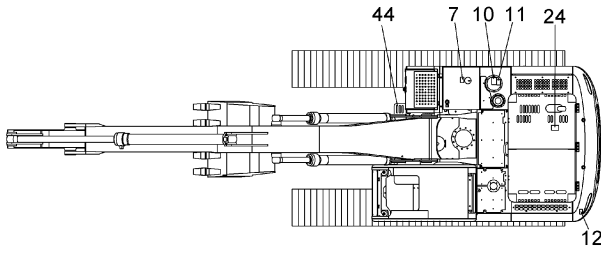
22  
KABİN KAPISI İÇ GÖRÜNÜŞÜ  
CAB DOOR / INSIDE VIEW



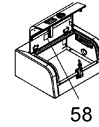
30  
KLİMA KAPAGI, ÖN GÖRÜNÜŞÜ  
AIR CON. COVER / FRONT VIEW



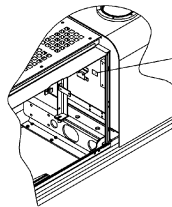
45  
KLİMA KAPAGI, ÖN GÖRÜNÜŞÜ  
AIR CON. COVER / FRONT VIEW



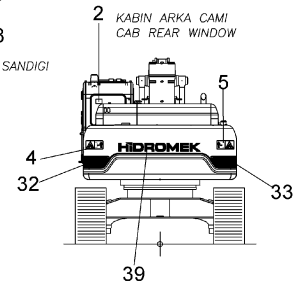
44 7 10 11 24  
12  
HİDROLİK DEPO  
HYDRAULIC TANK



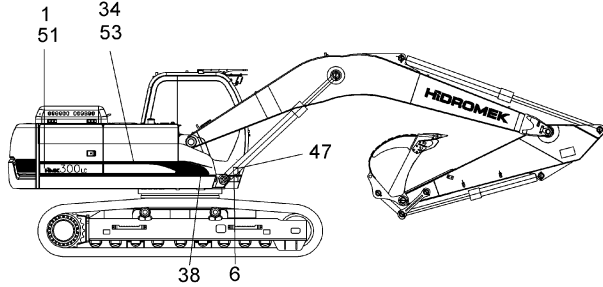
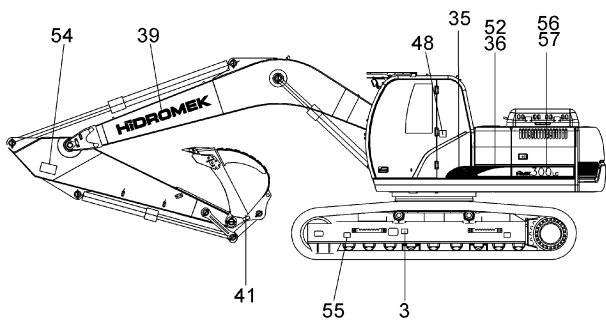
58  
TAKIM SANDIĞI



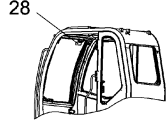
29  
HİDROLİK DEPO  
HYDRAULIC TANK



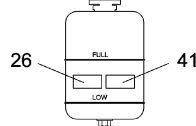
2  
KABİN ARKA CAMI  
CAB REAR WINDOW



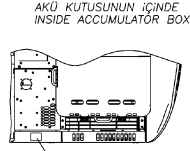
## ETİKETLER (TÜRKÇE) DECALS (TURKISH)



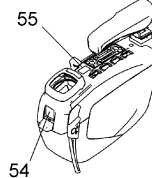
28  
KABİN İÇ GÖRÜNÜŞÜ  
CAB INSIDE VIEW



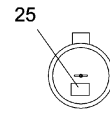
26  
REZERVUAR TANKI  
RESERVOIR TANK



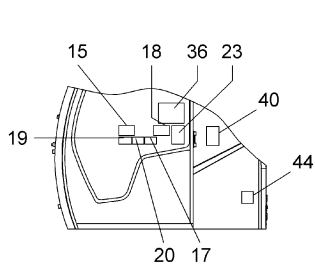
13  
AKÜ KUTUSUNUN İÇİNDE  
INSIDE ACCUMULATOR BOX



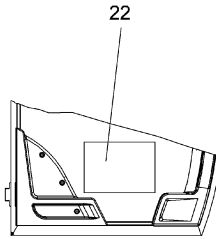
55  
54  
SOL KONSOL ÖN GÖRÜNÜŞÜ  
LEFT CONSOLE FRONT VIEW



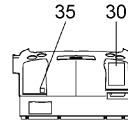
25  
HAVA FİLTRESİ  
AIR FILTER



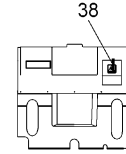
15  
KABİN SAĞ İÇ KISIM GÖRÜNÜŞÜ  
CAB INSIDE VIEW / RIGHT



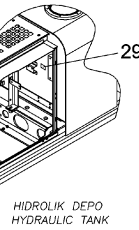
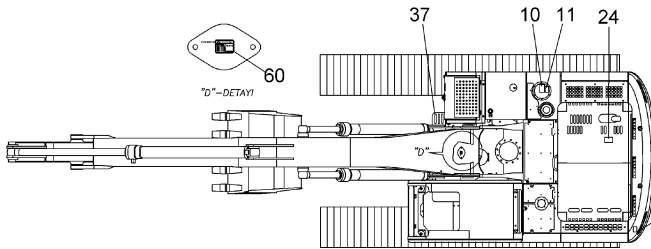
22  
KABİN KAPISI İÇ GÖRÜNÜŞÜ  
CAB DOOR / INSIDE VIEW



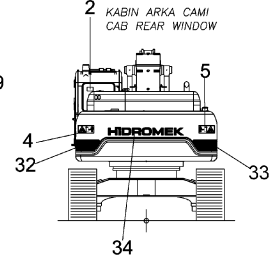
35  
30  
KLİMA KAPAGI, ÖN GÖRÜNÜŞÜ  
AIR CON. COVER / FRONT VIEW



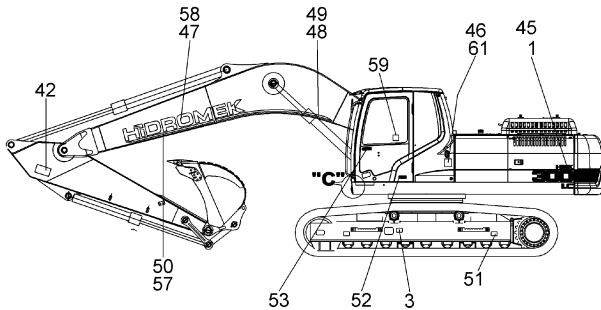
38  
KLİMA KAPAGI, ÖN GÖRÜNÜŞÜ  
AIR CON. COVER / FRONT VIEW



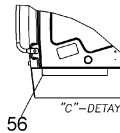
29  
HİDROLİK DEPO  
HYDRAULIC TANK



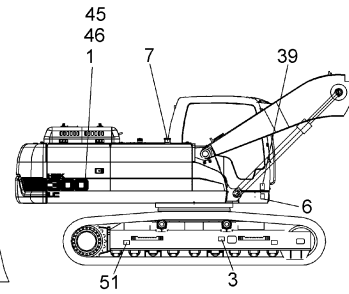
2  
KABİN ARKA CAMI  
CAB REAR WINDOW



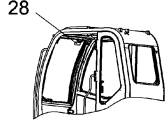
43  
TAKIM SANDIĞI



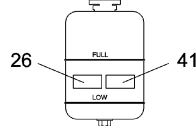
56  
"C"-DETAYI



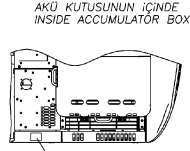
## ETİKETLER (TÜRKÇE) DECALS (TURKISH)



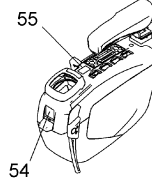
28  
KABİN İÇ GÖRÜNÜŞÜ  
CAB INSIDE VIEW



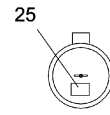
26  
REZERVUAR TANKI  
RESERVOIR TANK



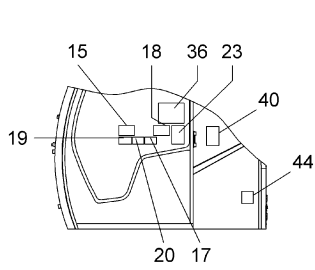
13  
AKÜ KUTUSUNUN İÇİNDE  
INSIDE ACCUMULATOR BOX



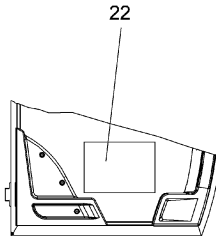
55  
54  
SOL KONSOL ÖN GÖRÜNÜŞÜ  
LEFT CONSOLE FRONT VIEW



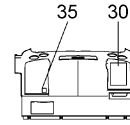
25  
HAVA FİLTRESİ  
AIR FILTER



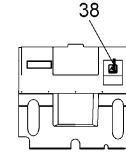
15  
18 36 23  
19  
20 17  
40  
44  
KABİN SAĞ İÇ KISIM GÖRÜNÜŞÜ  
CAB INSIDE VIEW / RIGHT



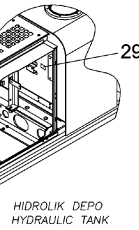
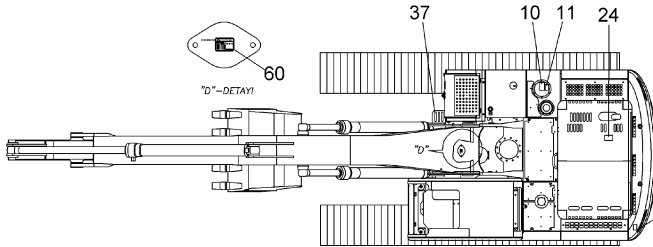
22  
KABİN KAPISI İÇ GÖRÜNÜŞÜ  
CAB DOOR / INSIDE VIEW



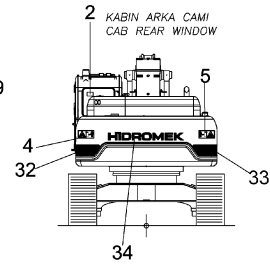
35 30  
KLİMA KAPAGI, ÖN GÖRÜNÜŞÜ  
AIR CON. COVER / FRONT VIEW



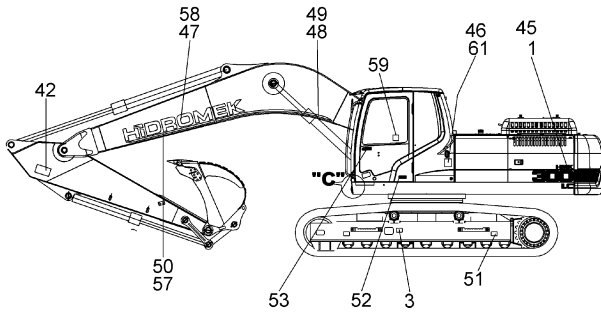
38  
KLİMA KAPAGI, ÖN GÖRÜNÜŞÜ  
AIR CON. COVER / FRONT VIEW



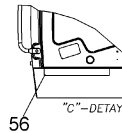
29  
HİDROLİK DEPO  
HYDRAULIC TANK



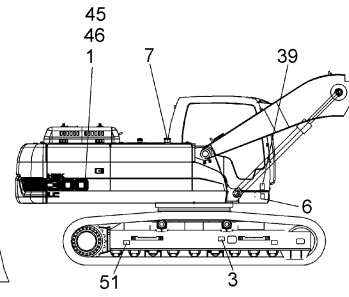
2  
KABİN ARKA CAMI  
CAB REAR WINDOW



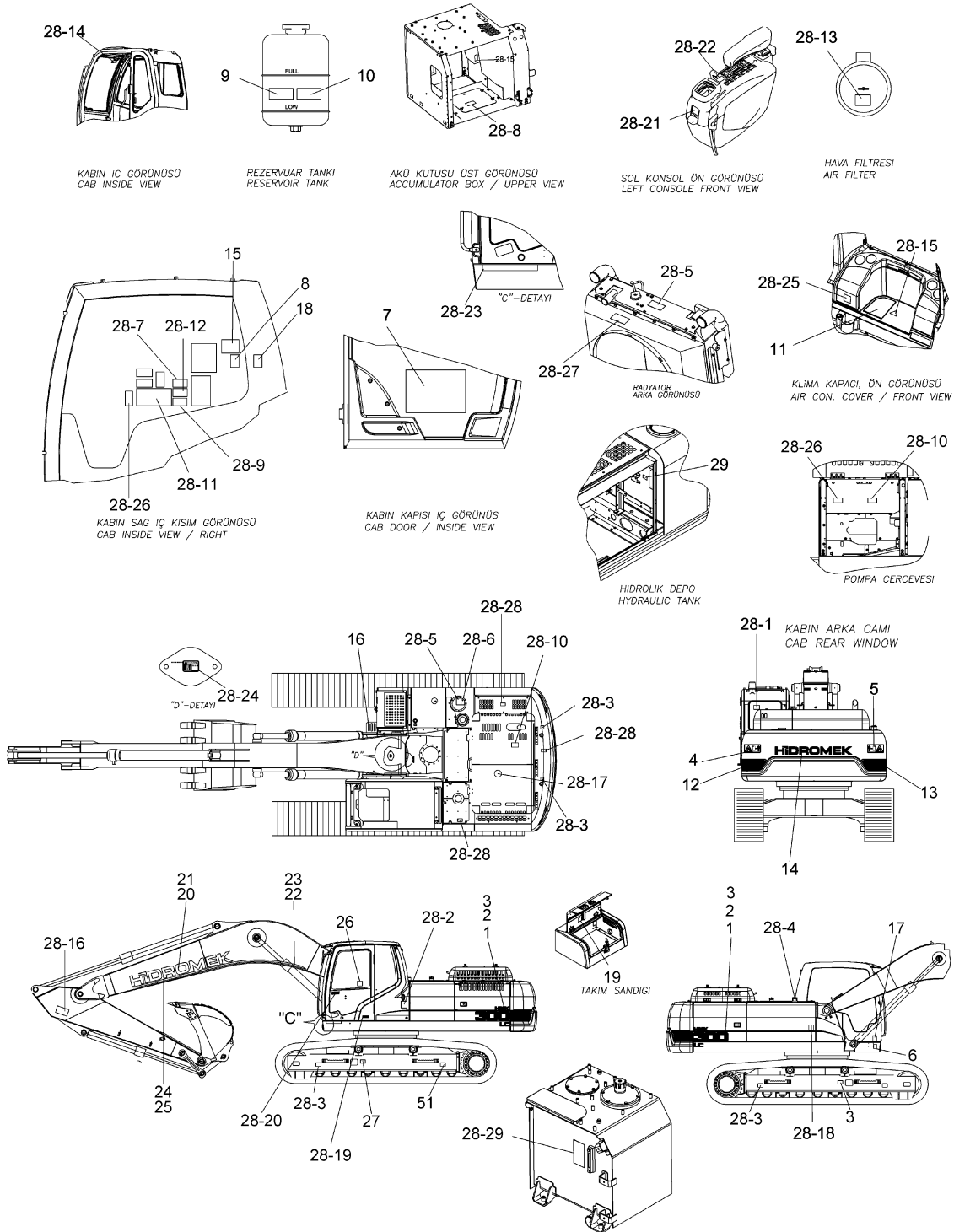
43  
TAKIM SANDIĞI



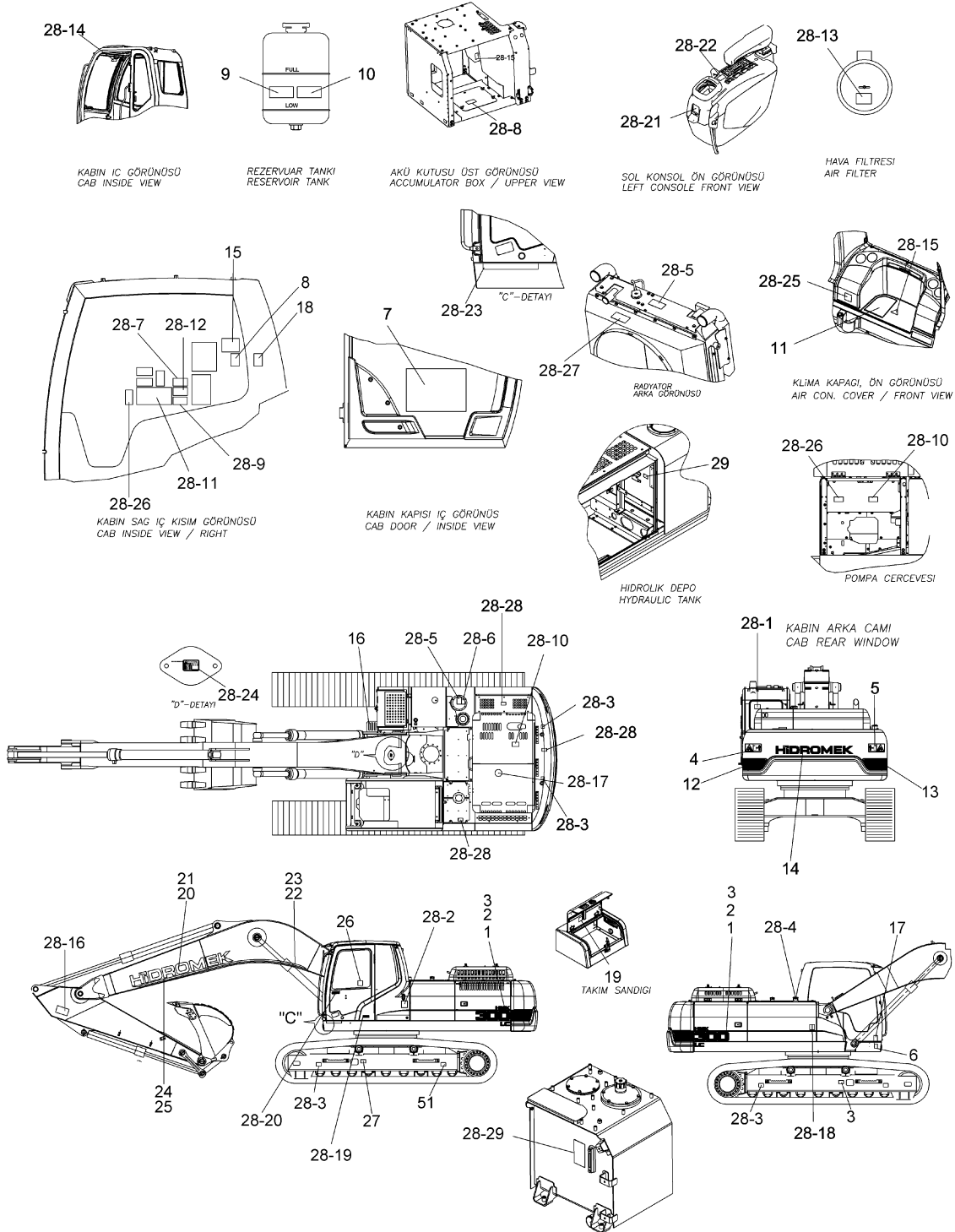
56  
"C"-DETAYI



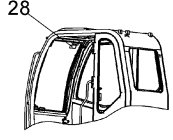
## ETİKETLER (TÜRKÇE) DECALS (TURKISH)



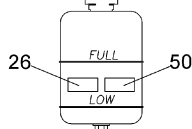
## ETİKETLER (TÜRKÇE) DECALS (TURKISH)



## ETİKETLER (İNGİLİZCE) DECALS (ENGLISH)

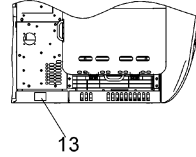


KABİN İÇ GÖRÜNÜŞÜ  
CAB INSIDE VIEW

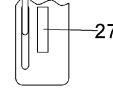


REZERVUAR TANKI  
RESERVOIR TANK

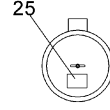
AKÜ KUTUSUNUN İÇİNDE  
INSIDE ACCUMULATOR BOX



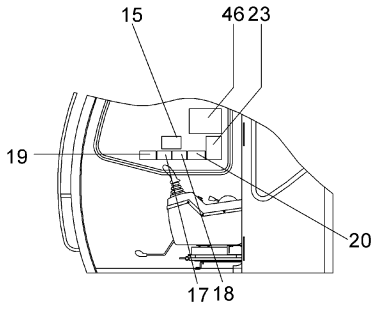
AKÜ KUTUSU ÜST GÖRÜNÜŞÜ  
ACCUMULATOR BOX / UPPER VIEW



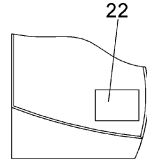
SOL KONSOL ÖN GÖRÜNÜŞÜ  
LEFT CONSOLE FRONT VIEW



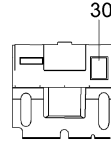
HAVA FİLTRESİ  
AIR FILTER



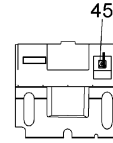
KABİN SAĞ İÇ KISIM GÖRÜNÜŞÜ  
CAB INSIDE VIEW / RIGHT



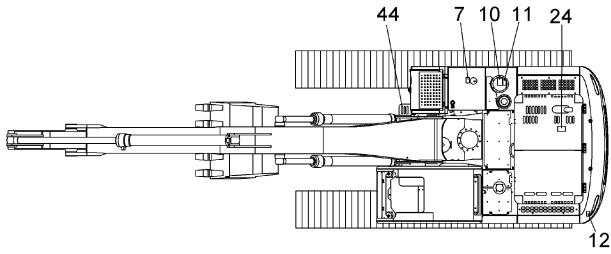
KABİN KAPISI İÇ GÖRÜNÜŞÜ  
CAB DOOR / INSIDE VIEW



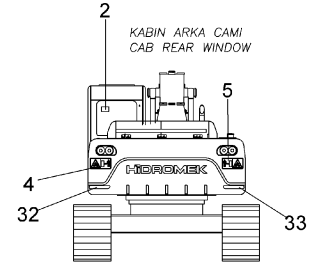
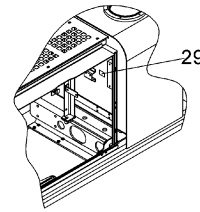
KLİMA KAPAGI, ÖN GÖRÜNÜŞÜ  
AIR CON. COVER / FRONT VIEW



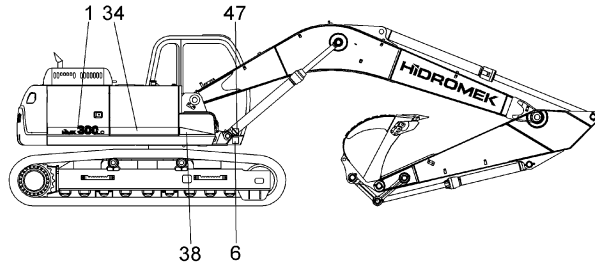
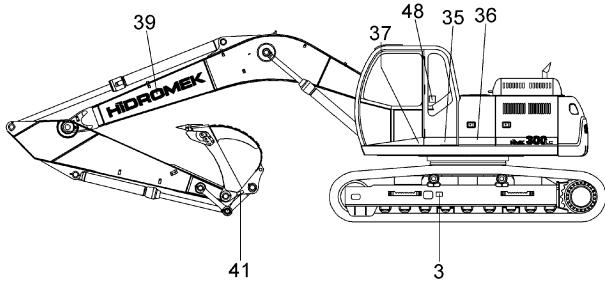
KLİMA KAPAGI, ÖN GÖRÜNÜŞÜ  
AIR CON. COVER / FRONT VIEW



HİDROLİK DEPO  
HYDRAULIC TANK

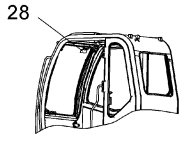


KABİN ARKA CAMI  
CAB REAR WINDOW

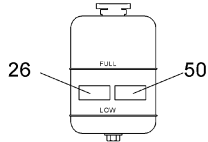




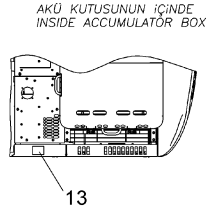
## ETİKETLER (İNGİLİZCE) DECALS (ENGLISH)



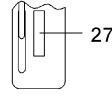
28  
KABİN İÇ GÖRÜNÜŞÜ  
CAB INSIDE VIEW



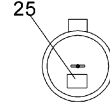
26  
REZERVUAR TANKI  
RESERVOIR TANK



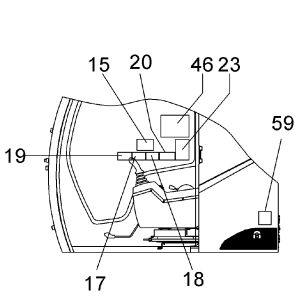
AKÜ KUTUSUNUN İÇİNDE  
INSIDE ACCUMULATOR BOX  
13  
AKÜ KUTUSU ÜST GÖRÜNÜŞÜ  
ACCUMULATOR BOX / UPPER VIEW



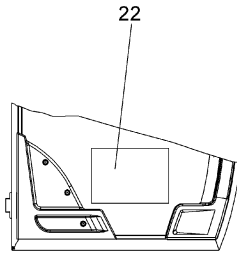
27  
SOL KONSOL ÖN GÖRÜNÜŞÜ  
LEFT CONSOLE FRONT VIEW



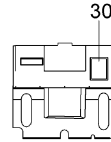
25  
HAVA FİLTRESİ  
AIR FILTER



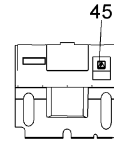
19  
KABİN SAĞ İÇ KISIM GÖRÜNÜŞÜ  
CAB INSIDE VIEW / RIGHT



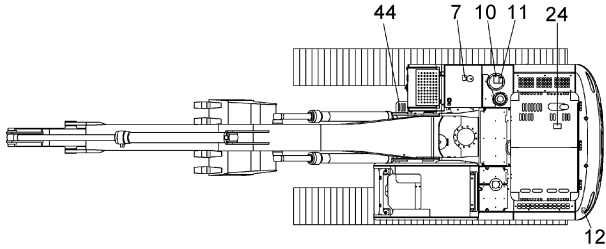
22  
KABİN KAPISI İÇ GÖRÜNÜŞÜ  
CAB DOOR / INSIDE VIEW



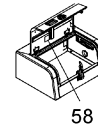
30  
KLİMA KAPAGI, ÖN GÖRÜNÜŞÜ  
AIR CON. COVER / FRONT VIEW



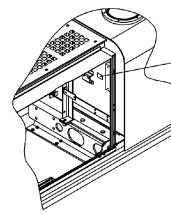
45  
KLİMA KAPAGI, ÖN GÖRÜNÜŞÜ  
AIR CON. COVER / FRONT VIEW



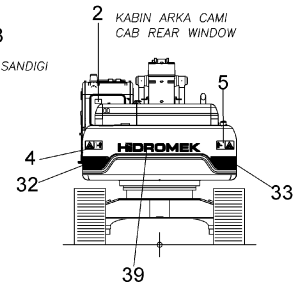
12  
HİDROLİK DEPO  
HYDRAULIC TANK



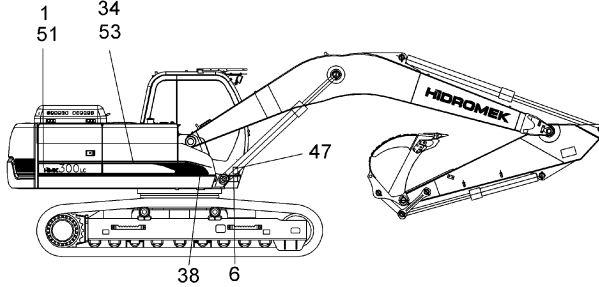
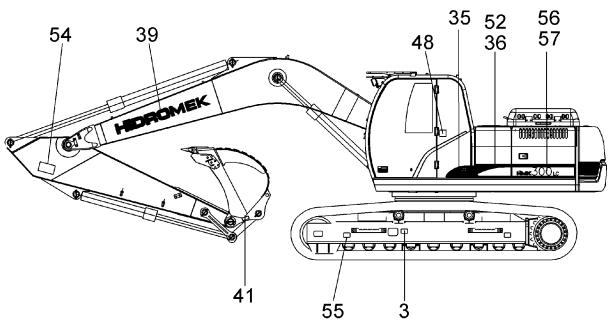
58  
TAKIM SANDIĞI



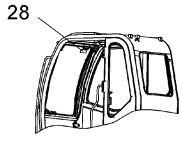
29  
HİDROLİK DEPO  
HYDRAULIC TANK



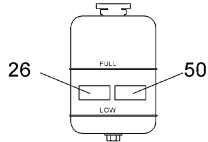
2  
KABİN ARKA CAMI  
CAB REAR WINDOW



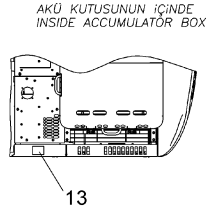
## ETİKETLER (İNGİLİZCE) DECALS (ENGLISH)



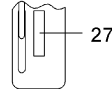
28  
KABİN İÇ GÖRÜNÜŞÜ  
CAB INSIDE VIEW



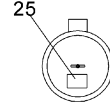
26  
REZERVUAR TANKI  
RESERVOIR TANK



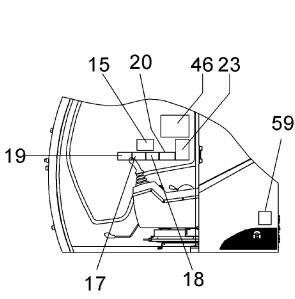
AKÜ KUTUSUNUN İÇİNDE  
INSIDE ACCUMULATOR BOX  
13  
AKÜ KUTUSU ÜST GÖRÜNÜŞÜ  
ACCUMULATOR BOX / UPPER VIEW



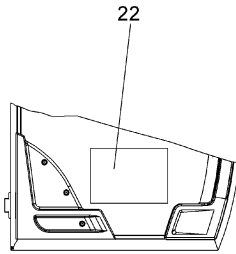
27  
SOL KONSOL ÖN GÖRÜNÜŞÜ  
LEFT CONSOLE FRONT VIEW



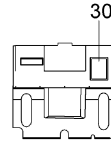
25  
HAVA FİLTRESİ  
AIR FILTER



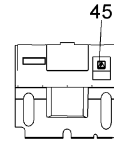
19  
KABİN SAĞ İÇ KISIM GÖRÜNÜŞÜ  
CAB INSIDE VIEW / RIGHT



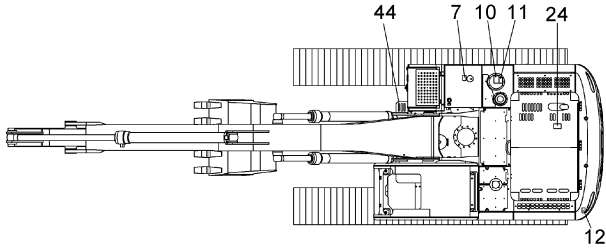
22  
KABİN KAPISI İÇ GÖRÜNÜŞÜ  
CAB DOOR / INSIDE VIEW



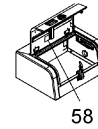
30  
KLİMA KAPAGI, ÖN GÖRÜNÜŞÜ  
AIR CON. COVER / FRONT VIEW



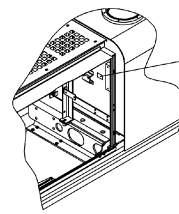
45  
KLİMA KAPAGI, ÖN GÖRÜNÜŞÜ  
AIR CON. COVER / FRONT VIEW



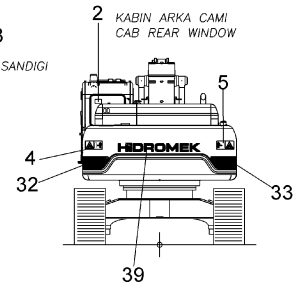
12  
HİDROLİK DEPO  
HYDRAULIC TANK



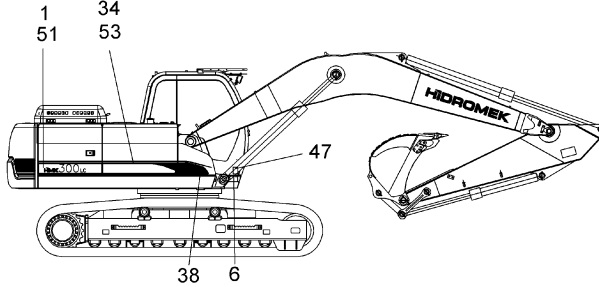
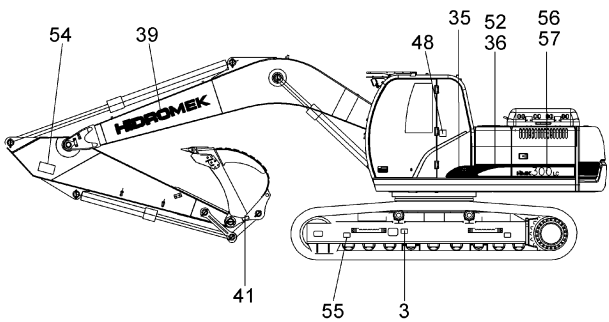
58  
TAKIM SANDIĞI



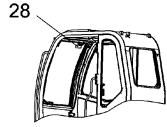
29  
HİDROLİK DEPO  
HYDRAULIC TANK



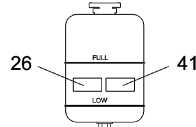
2  
KABİN ARKA CAMI  
CAB REAR WINDOW



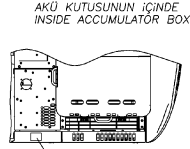
## ETİKETLER (İNGİLİZCE) DECALS (ENGLISH)



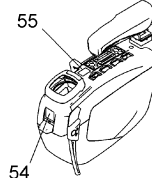
28  
KABİN İÇ GÖRÜNÜŞÜ  
CAB INSIDE VIEW



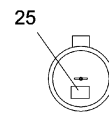
26  
REZERVUAR TANKI  
RESERVOIR TANK



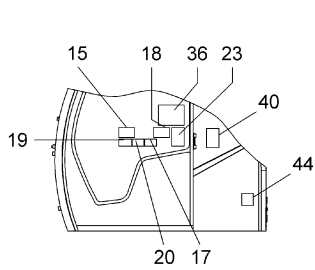
13  
AKÜ KUTUSUNUN İÇİNDE  
INSIDE ACCUMULATOR BOX  
AKÜ KUTUSU ÜST GÖRÜNÜŞÜ  
ACCUMULATOR BOX / UPPER VIEW



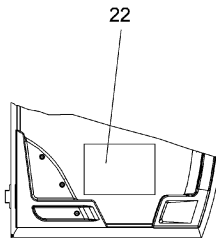
54  
SOL KONSOL ÖN GÖRÜNÜŞÜ  
LEFT CONSOLE FRONT VIEW



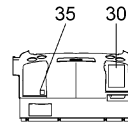
25  
HAVA FİLTRESİ  
AIR FILTER



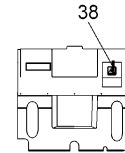
15  
KABİN SAĞ İÇ KISIM GÖRÜNÜŞÜ  
CAB INSIDE VIEW / RIGHT



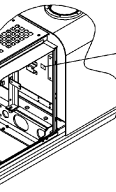
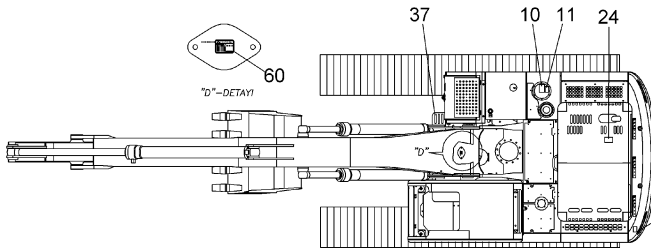
22  
KABİN KAPISI İÇ GÖRÜNÜŞÜ  
CAB DOOR / INSIDE VIEW



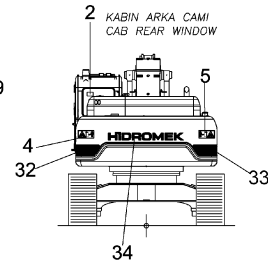
35  
KLİMA KAPAGI, ÖN GÖRÜNÜŞÜ  
AIR CON. COVER / FRONT VIEW



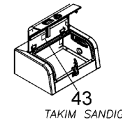
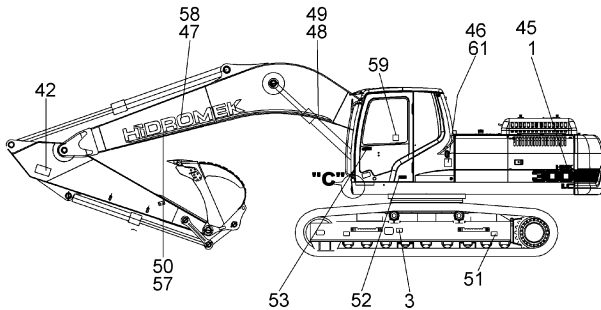
38  
KLİMA KAPAGI, ÖN GÖRÜNÜŞÜ  
AIR CON. COVER / FRONT VIEW



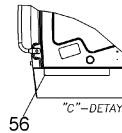
29  
HİDROLİK DEPO  
HYDRAULIC TANK



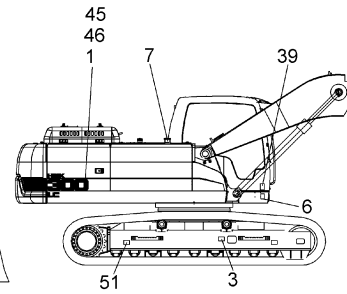
2  
KABİN ARKA CAMI  
CAB REAR WINDOW



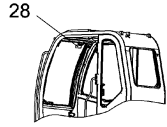
43  
TAKIM SANDIĞI



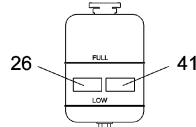
56  
"C"-DETAYI



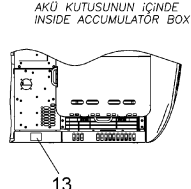
## ETİKETLER (İNGİLİZCE) DECALS (ENGLISH)



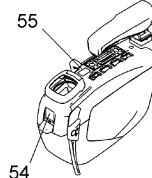
28  
KABİN İÇ GÖRÜNÜŞÜ  
CAB INSIDE VIEW



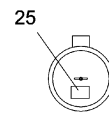
26  
REZERVUAR TANKI  
RESERVOIR TANK



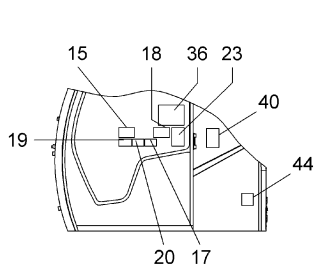
13  
AKÜ KUTUSUNUN İÇİNDE  
INSIDE ACCUMULATOR BOX



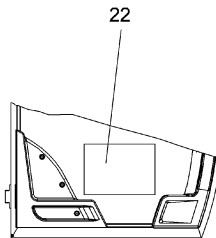
55  
54  
SOL KONSOL ÖN GÖRÜNÜŞÜ  
LEFT CONSOLE FRONT VIEW



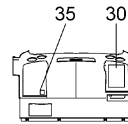
25  
HAVA FİLTRESİ  
AIR FILTER



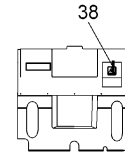
15  
18 36 23  
19  
20 17  
40  
44  
KABİN SAĞ İÇ KISIM GÖRÜNÜŞÜ  
CAB INSIDE VIEW / RIGHT



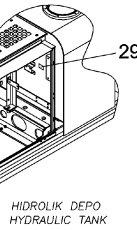
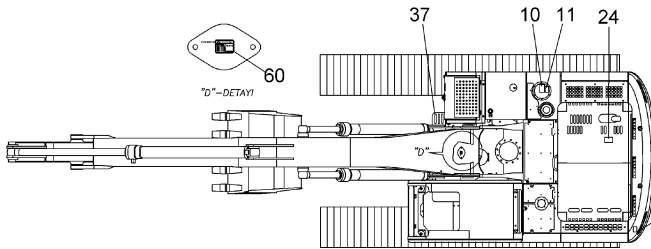
22  
KABİN KAPISI İÇ GÖRÜNÜŞÜ  
CAB DOOR / INSIDE VIEW



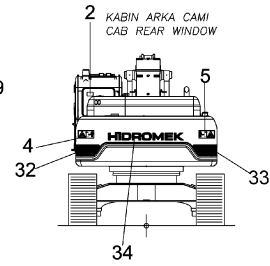
35 30  
KLİMA KAPAGI, ÖN GÖRÜNÜŞÜ  
AIR CON. COVER / FRONT VIEW



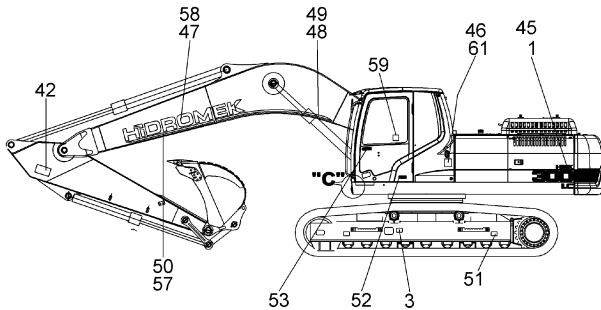
38  
KLİMA KAPAGI, ÖN GÖRÜNÜŞÜ  
AIR CON. COVER / FRONT VIEW



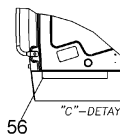
29  
HİDROLİK DEPO  
HYDRAULIC TANK



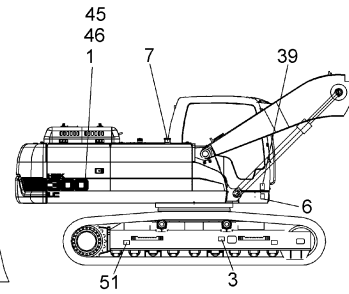
2  
KABİN ARKA CAMI  
CAB REAR WINDOW



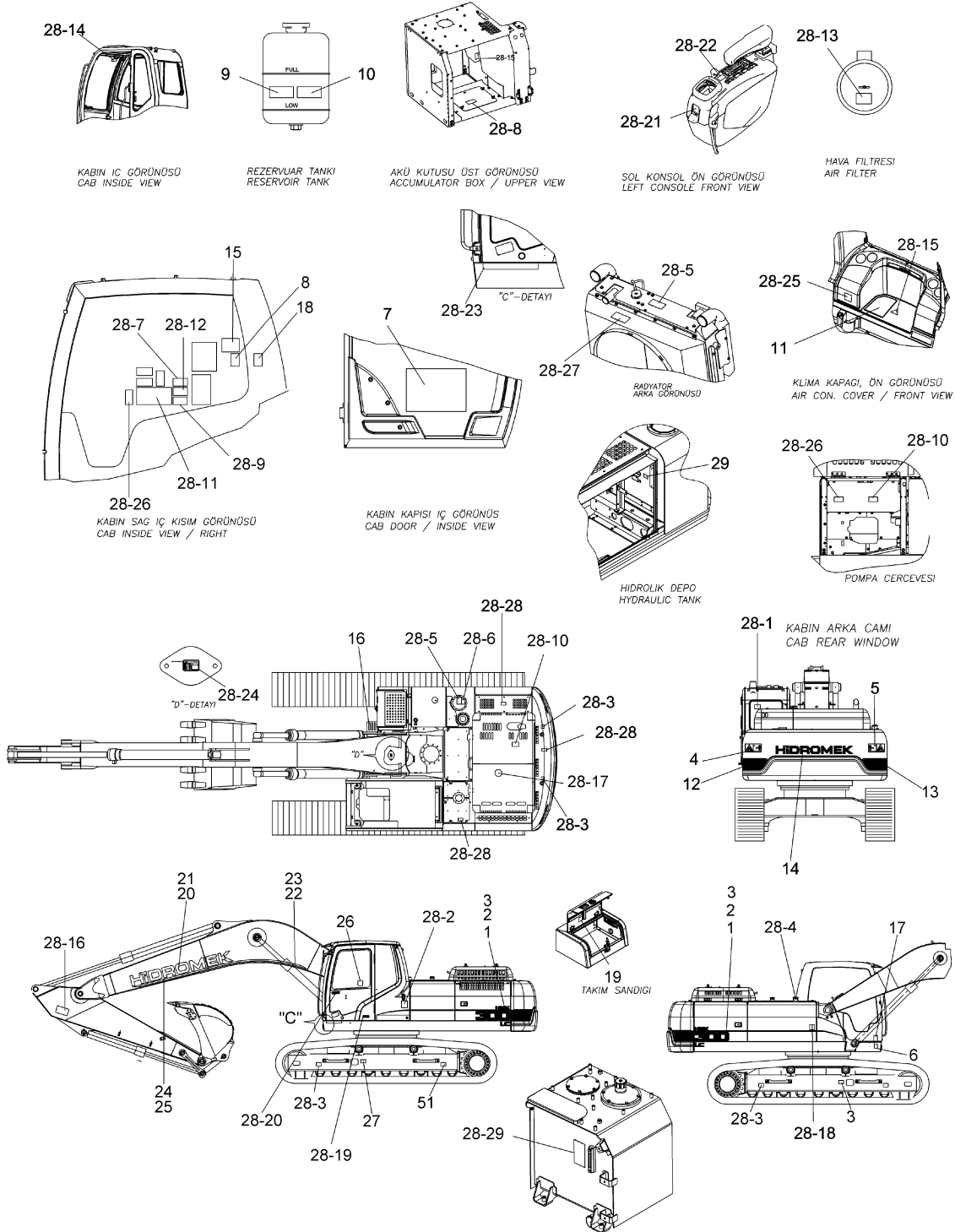
43  
TAKIM SANDIĞI



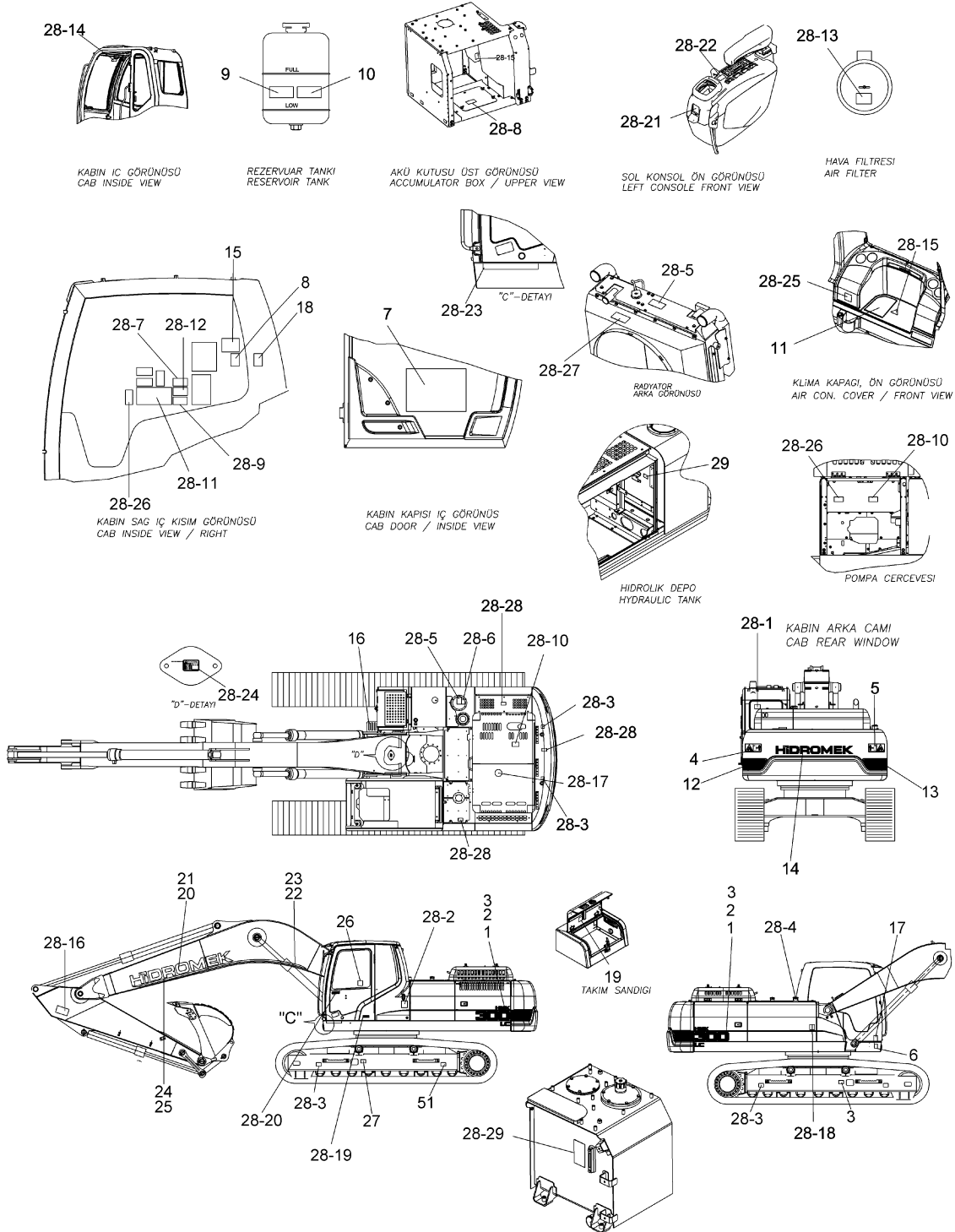
56  
"C"-DETAYI



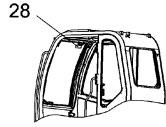
## ETİKETLER (İNGİLİZCE) DECALS (ENGLISH)



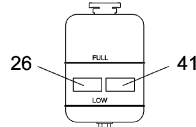
## ETİKETLER (İNGİLİZCE) DECALS (ENGLISH)



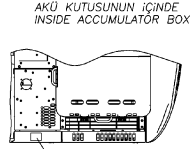
## ETİKETLER (İSPANYOLCA) DECALS (SPANISH)



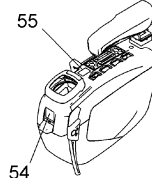
28  
KABİN İÇ GÖRÜNÜŞÜ  
CAB INSIDE VIEW



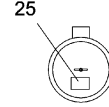
26  
REZERVUAR TANKI  
RESERVOIR TANK



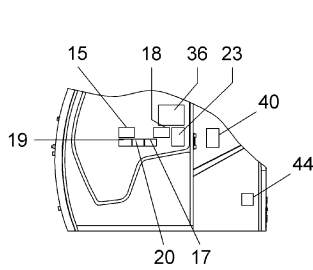
13  
AKÜ KUTUSUNUN İÇİNDE  
INSIDE ACCUMULATOR BOX  
AKÜ KUTUSU ÜST GÖRÜNÜŞÜ  
ACCUMULATOR BOX / UPPER VIEW



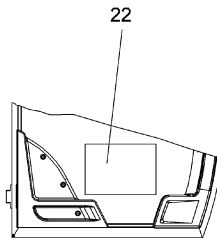
55  
54  
SOL KONSOL ÖN GÖRÜNÜŞÜ  
LEFT CONSOLE FRONT VIEW



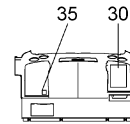
25  
HAVA FİLTRESİ  
AIR FILTER



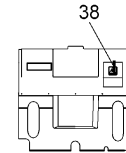
15  
KABİN SAĞ İÇ KISIM GÖRÜNÜŞÜ  
CAB INSIDE VIEW / RIGHT



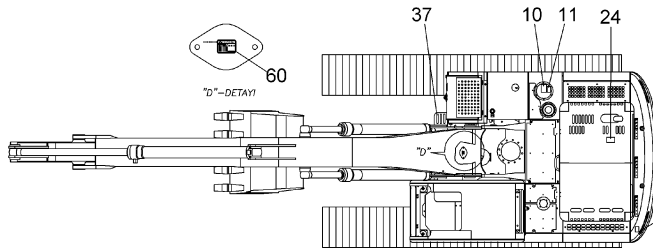
22  
KABİN KAPISI İÇ GÖRÜNÜŞÜ  
CAB DOOR / INSIDE VIEW



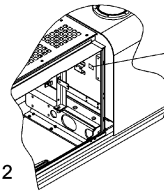
35  
30  
KLİMA KAPAGI, ÖN GÖRÜNÜŞÜ  
AIR CON. COVER / FRONT VIEW



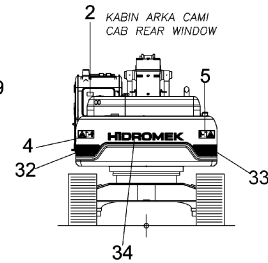
38  
KLİMA KAPAGI, ÖN GÖRÜNÜŞÜ  
AIR CON. COVER / FRONT VIEW



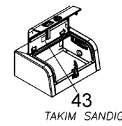
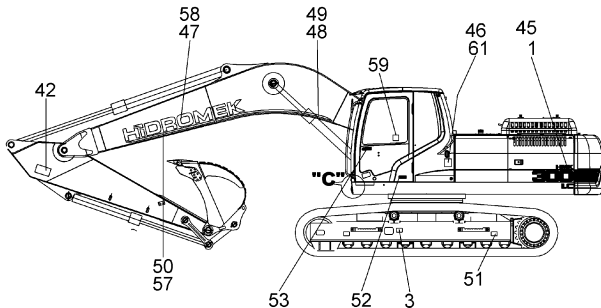
10  
HİDROLİK DEPO  
HYDRAULIC TANK



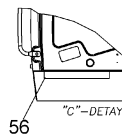
29  
HİDROLİK DEPO  
HYDRAULIC TANK



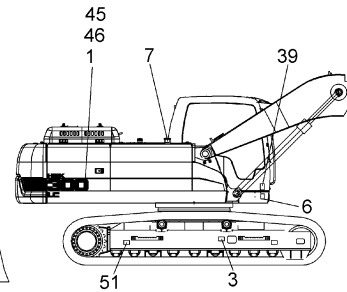
2  
KABİN ARKA CAMI  
CAB REAR WINDOW



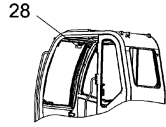
43  
TAKIM SANDIĞI



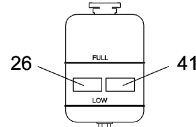
56  
"C"-DETAYI



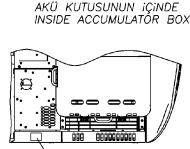
## ETİKETLER (İSPANYOLCA) DECALS (SPANISH)



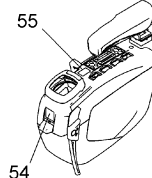
28  
KABİN İÇ GÖRÜNÜŞÜ  
CAB INSIDE VIEW



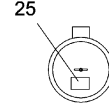
26  
REZERVUAR TANKI  
RESERVOIR TANK



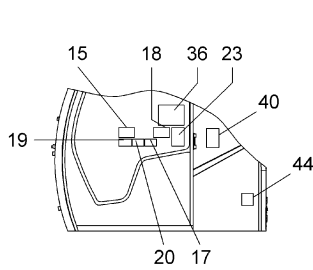
13  
AKÜ KUTUSUNUN İÇİNDE  
INSIDE ACCUMULATOR BOX  
AKÜ KUTUSU ÜST GÖRÜNÜŞÜ  
ACCUMULATOR BOX / UPPER VIEW



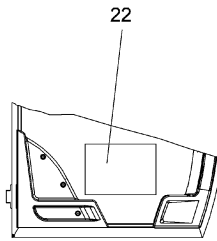
55  
54  
SOL KONSOL ÖN GÖRÜNÜŞÜ  
LEFT CONSOLE FRONT VIEW



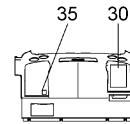
25  
HAVA FİLTRESİ  
AIR FILTER



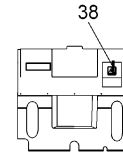
15  
18 36 23  
19  
20 17  
40  
44  
KABİN SAĞ İÇ KISIM GÖRÜNÜŞÜ  
CAB INSIDE VIEW / RIGHT



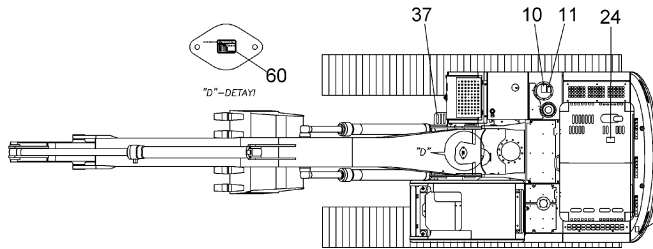
22  
KABİN KAPISI İÇ GÖRÜNÜŞÜ  
CAB DOOR / INSIDE VIEW



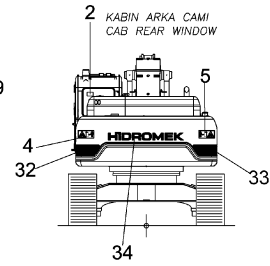
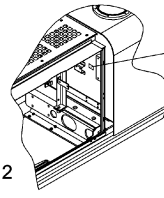
35 30  
KLİMA KAPAGI, ÖN GÖRÜNÜŞÜ  
AIR CON. COVER / FRONT VIEW



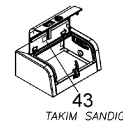
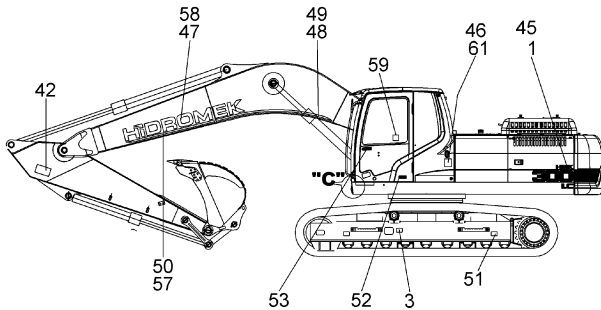
38  
KLİMA KAPAGI, ÖN GÖRÜNÜŞÜ  
AIR CON. COVER / FRONT VIEW



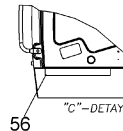
10 11 24  
12  
HİDROLİK DEPO  
HYDRAULIC TANK



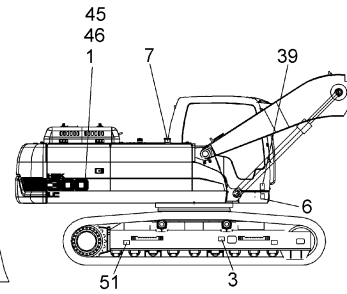
2  
KABİN ARKA CAMI  
CAB REAR WINDOW



43  
TAKIM SANDIĞI

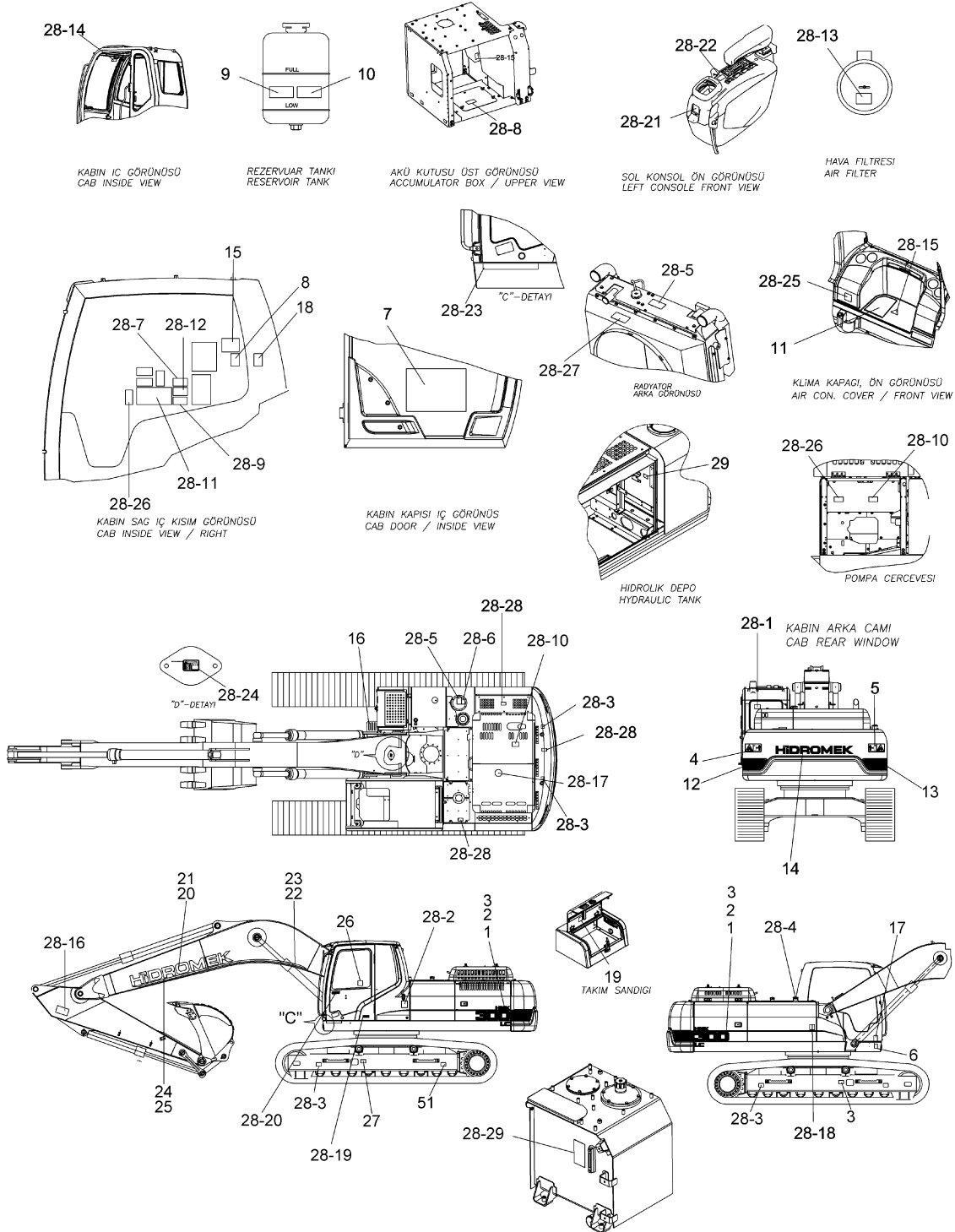


56  
"C"-DETAYI

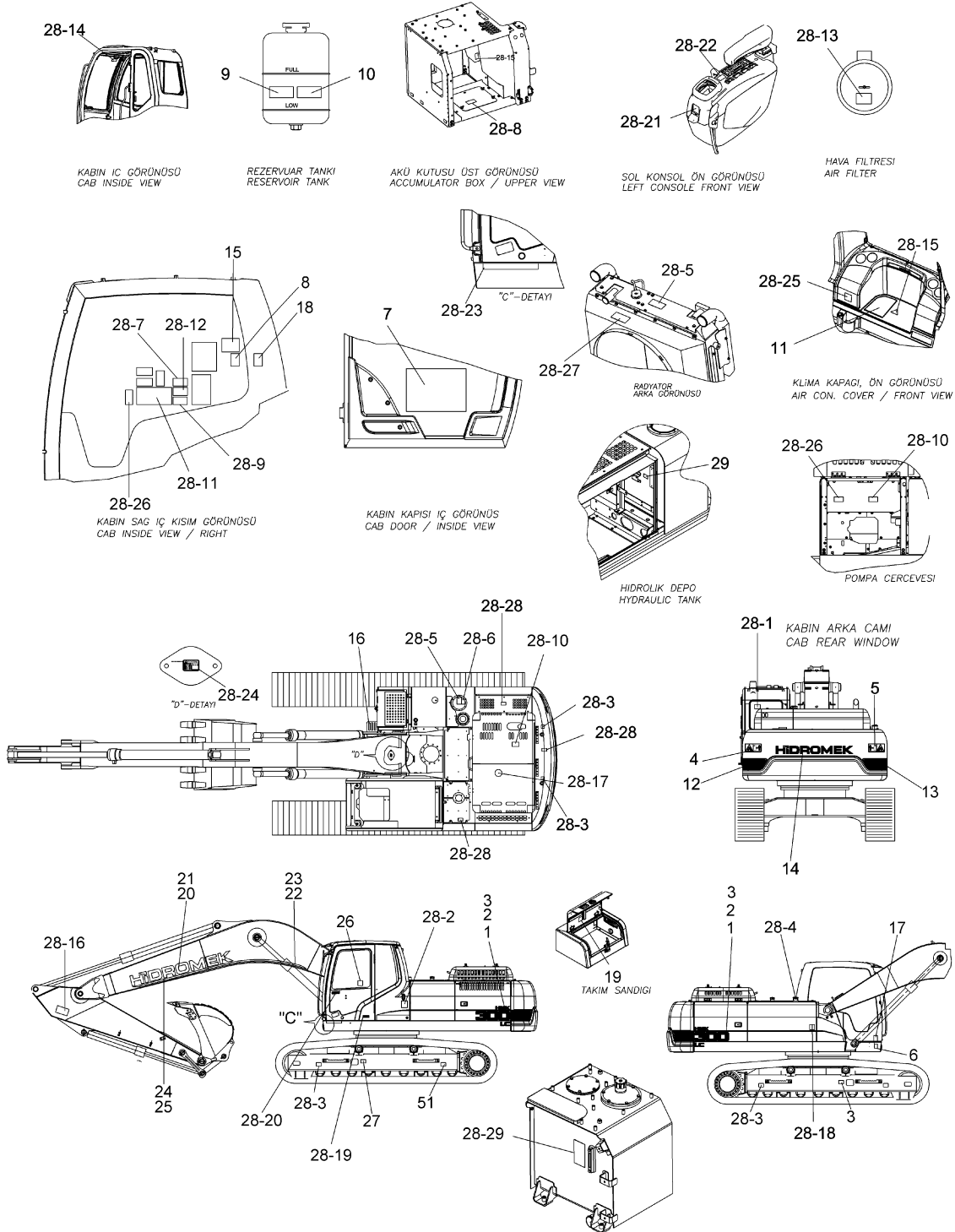




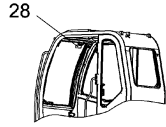
## ETİKETLER (İSPANYOLCA) DECALS (SPANISH)



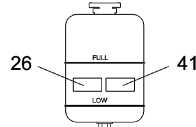
## ETİKETLER (İSPANYOLCA) DECALS (SPANISH)



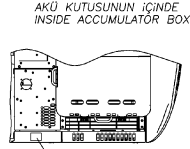
## ETİKETLER (PORTEKİZCE) DECALS (PORTUGUESE)



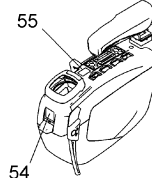
28  
KABİN İÇ GÖRÜNÜŞÜ  
CAB INSIDE VIEW



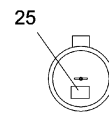
26  
REZERVUAR TANKI  
RESERVOIR TANK



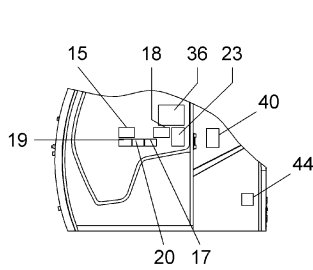
13  
AKÜ KUTUSUNUN İÇİNDE  
INSIDE ACCUMULATOR BOX  
AKÜ KUTUSU ÜST GÖRÜNÜŞÜ  
ACCUMULATOR BOX / UPPER VIEW



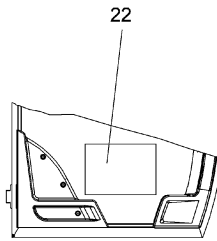
54  
SOL KONSOL ÖN GÖRÜNÜŞÜ  
LEFT CONSOLE FRONT VIEW



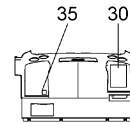
25  
HAVA FİLTRESİ  
AIR FILTER



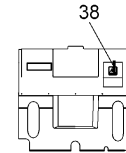
15  
KABİN SAĞ İÇ KISIM GÖRÜNÜŞÜ  
CAB INSIDE VIEW / RIGHT



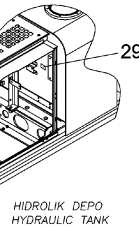
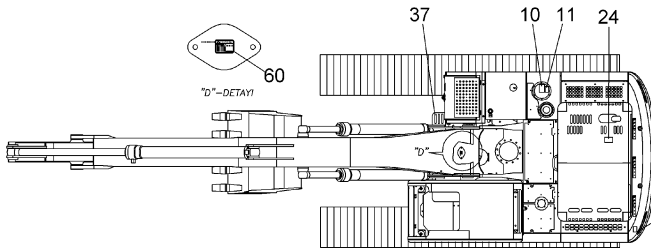
22  
KABİN KAPISI İÇ GÖRÜNÜŞÜ  
CAB DOOR / INSIDE VIEW



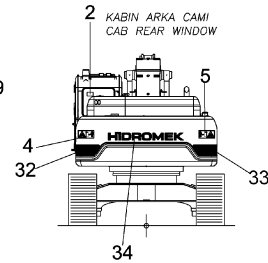
35  
KLİMA KAPAGI, ÖN GÖRÜNÜŞÜ  
AIR CON. COVER / FRONT VIEW



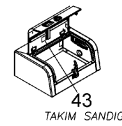
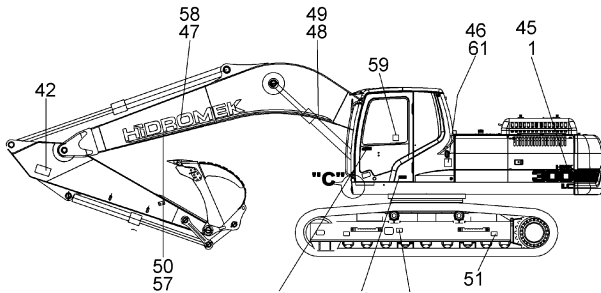
38  
KLİMA KAPAGI, ÖN GÖRÜNÜŞÜ  
AIR CON. COVER / FRONT VIEW



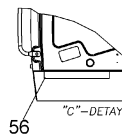
29  
HİDROLİK DEPO  
HYDRAULIC TANK



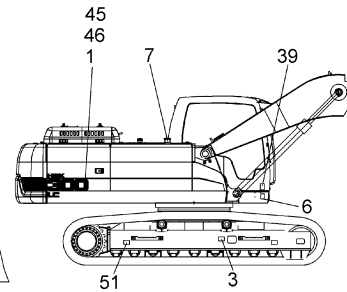
2  
KABİN ARKA CAMI  
CAB REAR WINDOW



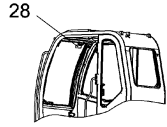
43  
TAKIM SANDIĞI



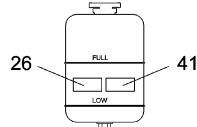
56  
"C"-DETAYI



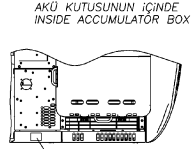
## ETİKETLER (PORTEKİZCE) DECALS (PORTUGUESE)



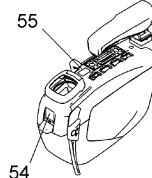
28  
KABİN İÇ GÖRÜNÜŞÜ  
CAB INSIDE VIEW



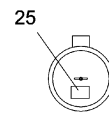
26  
REZERVUAR TANKI  
RESERVOIR TANK



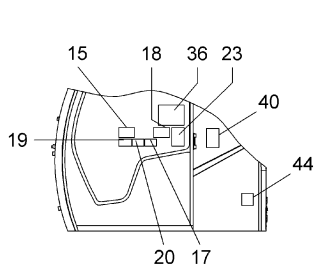
13  
AKÜ KUTUSUNUN İÇİNDE  
INSIDE ACCUMULATOR BOX  
AKÜ KUTUSU ÜST GÖRÜNÜŞÜ  
ACCUMULATOR BOX / UPPER VIEW



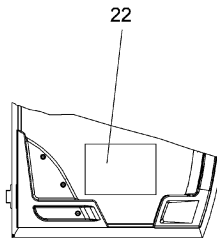
54  
SOL KONSOL ÖN GÖRÜNÜŞÜ  
LEFT CONSOLE FRONT VIEW



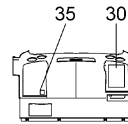
25  
HAVA FİLTRESİ  
AIR FILTER



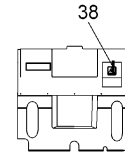
15  
KABİN SAĞ İÇ KISIM GÖRÜNÜŞÜ  
CAB INSIDE VIEW / RIGHT



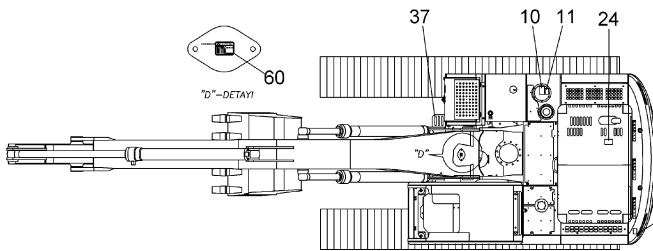
22  
KABİN KAPISI İÇ GÖRÜNÜŞÜ  
CAB DOOR / INSIDE VIEW



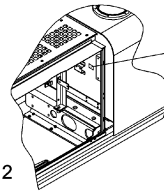
35  
KLİMA KAPAGI, ÖN GÖRÜNÜŞÜ  
AIR CON. COVER / FRONT VIEW



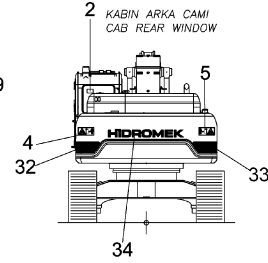
38  
KLİMA KAPAGI, ÖN GÖRÜNÜŞÜ  
AIR CON. COVER / FRONT VIEW



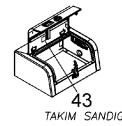
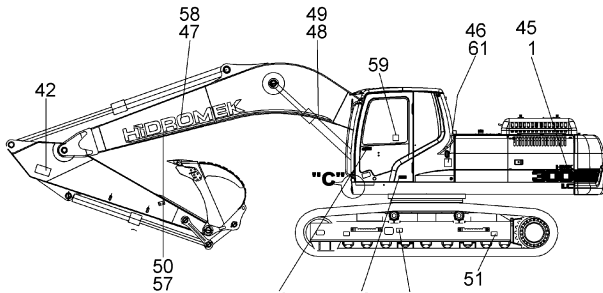
10  
HİDROLİK DEPO  
HYDRAULIC TANK



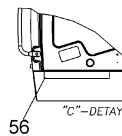
29  
HİDROLİK DEPO  
HYDRAULIC TANK



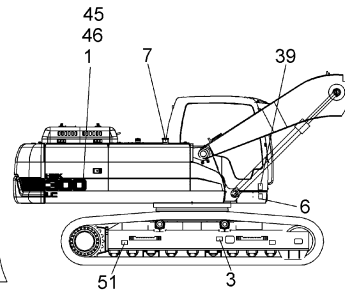
2  
KABİN ARKA CAMI  
CAB REAR WINDOW



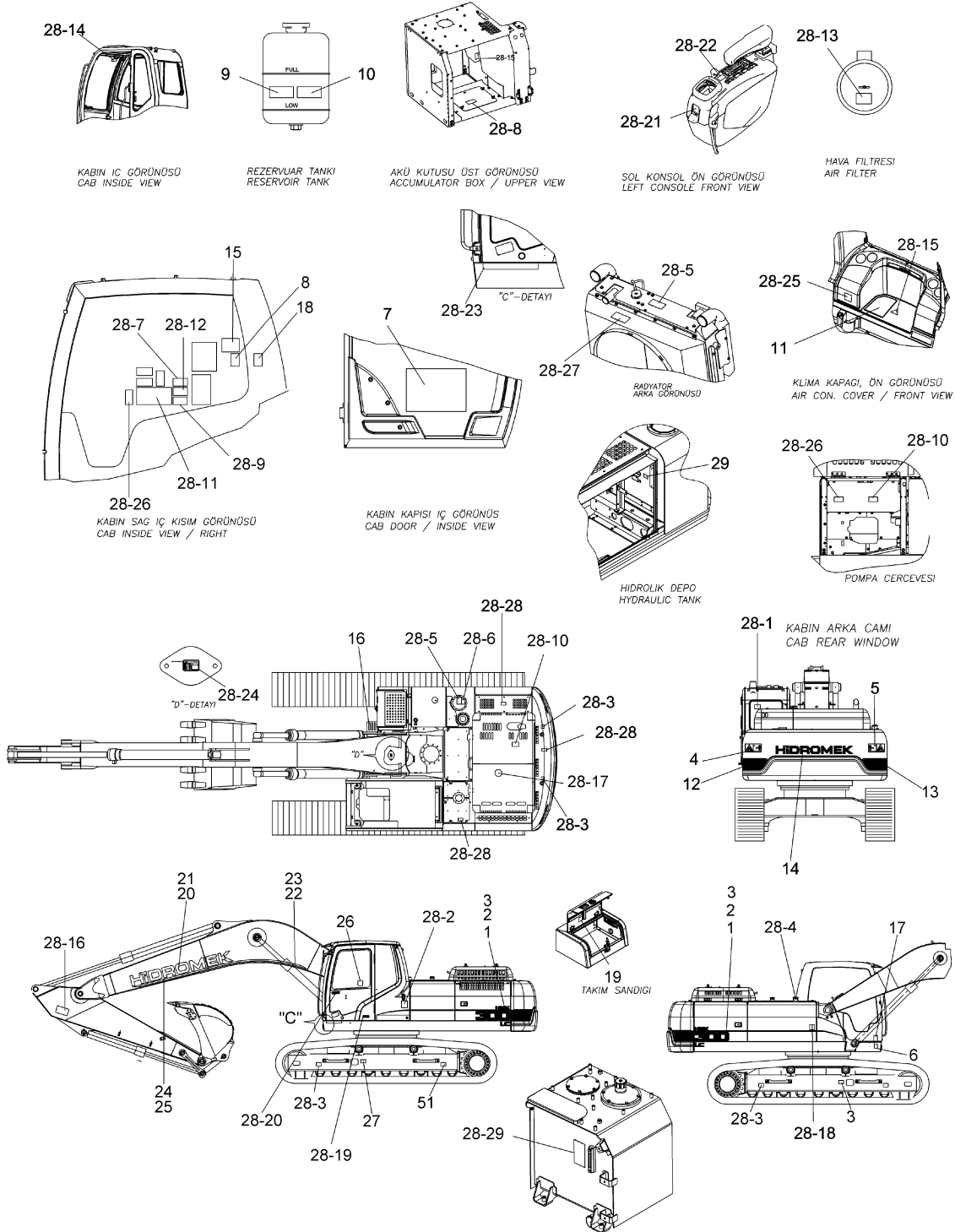
43  
TAKIM SANDIĞI



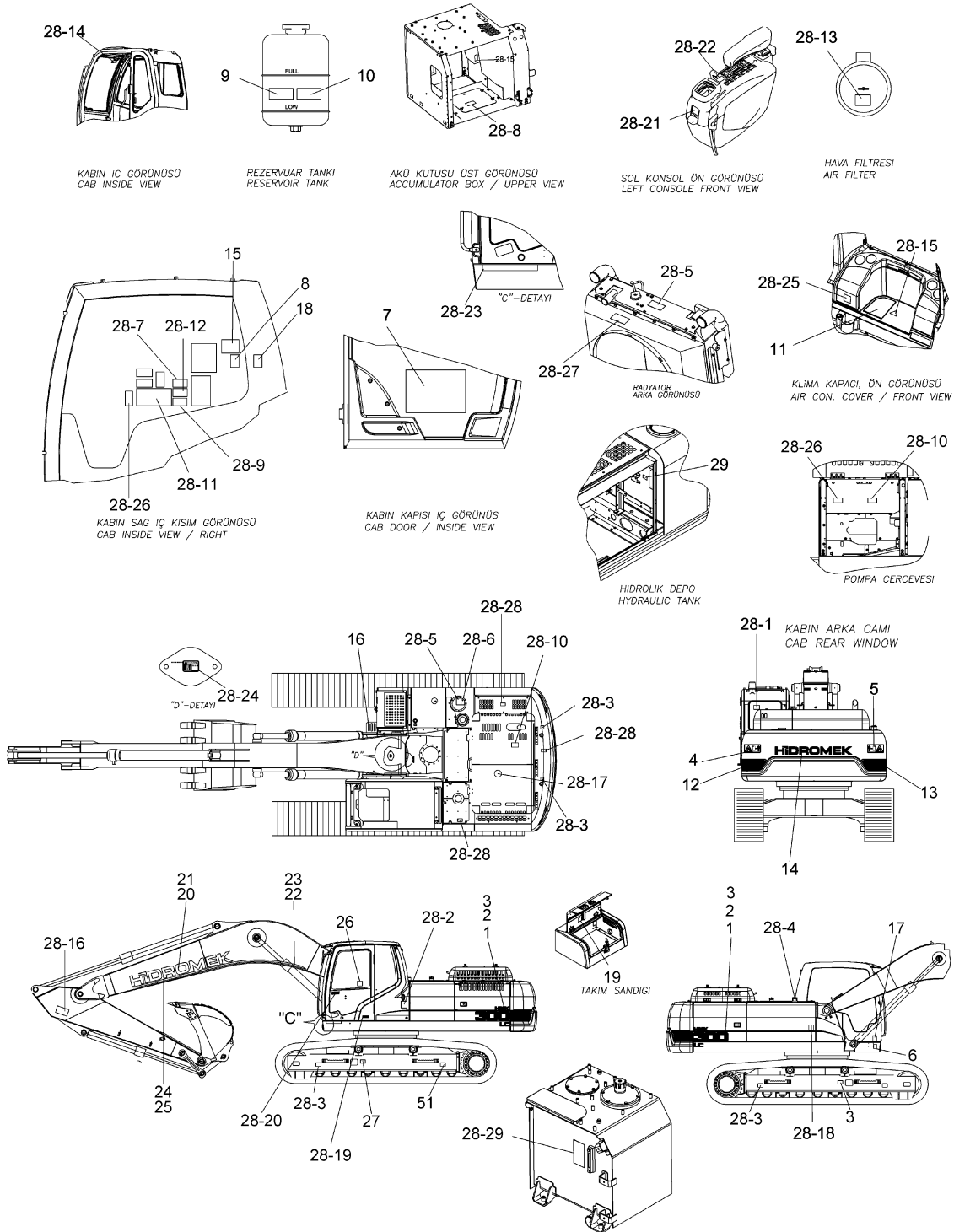
56  
"C"-DETAYI



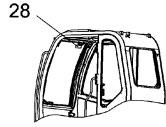
## ETİKETLER (PORTEKİZCE) DECALS (PORTUGUESE)



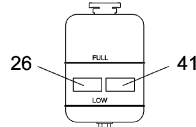
## ETİKETLER (PORTEKİZCE) DECALS (PORTUGUESE)



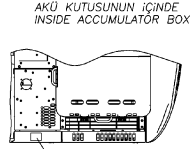
## ETİKETLER (FRANSIZCA) DECALS (FRENCH)



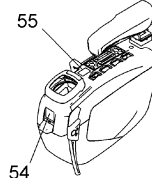
28  
KABIN İÇ GÖRÜNÜŞÜ  
CAB INSIDE VIEW



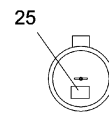
26  
REZERVUAR TANKI  
RESERVOIR TANK



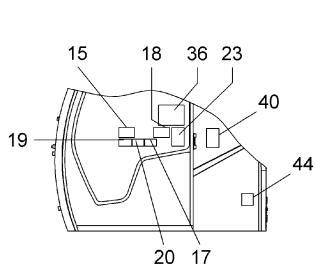
13  
AKÜ KUTUSUNUN İÇİNDE  
INSIDE ACCUMULATOR BOX



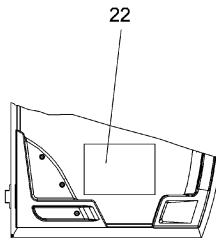
55  
54  
SOL KONSOL ÖN GÖRÜNÜŞÜ  
LEFT CONSOLE FRONT VIEW



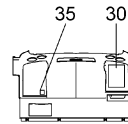
25  
HAVA FİLTRESİ  
AIR FILTER



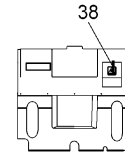
15  
KABIN SAĞ İÇ KISIM GÖRÜNÜŞÜ  
CAB INSIDE VIEW / RIGHT



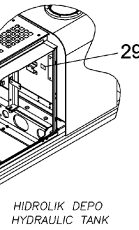
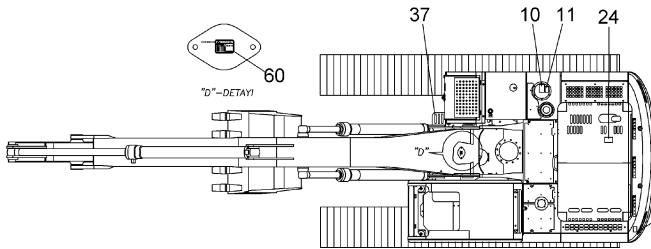
22  
KABIN KAPISI İÇ GÖRÜNÜŞÜ  
CAB DOOR / INSIDE VIEW



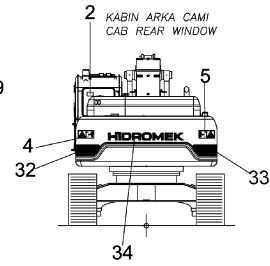
35  
30  
KLİMA KAPAGI, ÖN GÖRÜNÜŞÜ  
AIR CON. COVER / FRONT VIEW



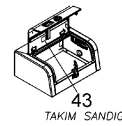
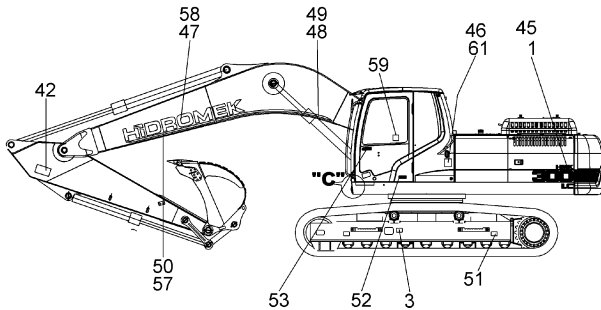
38  
KLİMA KAPAGI, ÖN GÖRÜNÜŞÜ  
AIR CON. COVER / FRONT VIEW



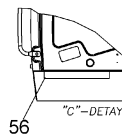
29  
HİDROLİK DEPO  
HYDRAULIC TANK



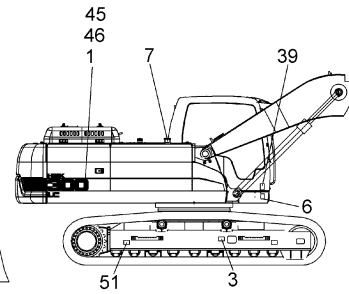
2  
KABIN ARKA CAMI  
CAB REAR WINDOW



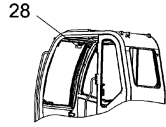
43  
TAKIM SANDIĞI



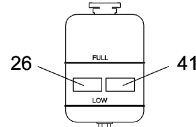
56  
"C"-DETAYI



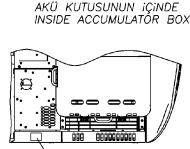
## ETİKETLER (FRANSIZCA) DECALS (FRENCH)



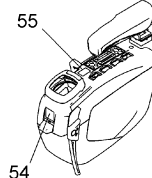
28  
KABIN İÇ GÖRÜNÜŞÜ  
CAB INSIDE VIEW



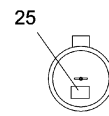
26  
REZERVUAR TANKI  
RESERVOIR TANK



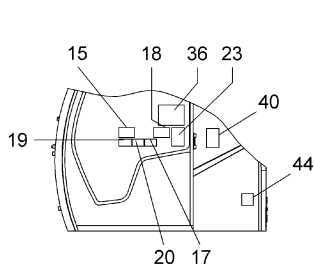
13  
AKÜ KUTUSUNUN İÇİNDE  
INSIDE ACCUMULATOR BOX  
AKÜ KUTUSU ÜST GÖRÜNÜŞÜ  
ACCUMULATOR BOX / UPPER VIEW



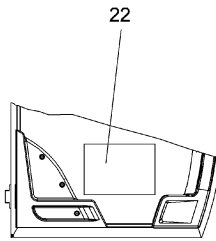
54  
SOL KONSOL ÖN GÖRÜNÜŞÜ  
LEFT CONSOLE FRONT VIEW



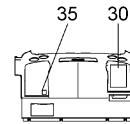
25  
HAVA FİLTRESİ  
AIR FILTER



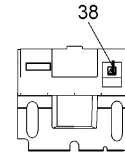
15  
KABIN SAĞ İÇ KISIM GÖRÜNÜŞÜ  
CAB INSIDE VIEW / RIGHT



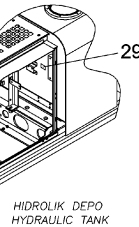
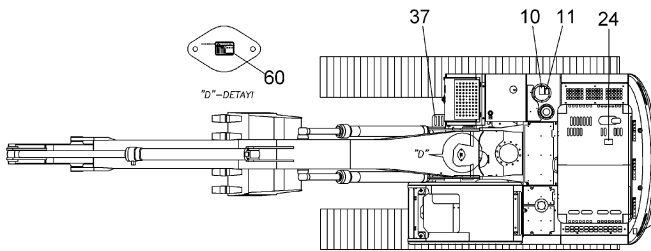
22  
KABIN KAPISI İÇ GÖRÜNÜŞÜ  
CAB DOOR / INSIDE VIEW



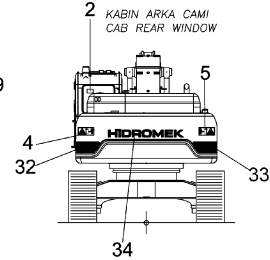
35  
KLİMA KAPAGI, ÖN GÖRÜNÜŞÜ  
AIR CON. COVER / FRONT VIEW



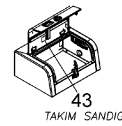
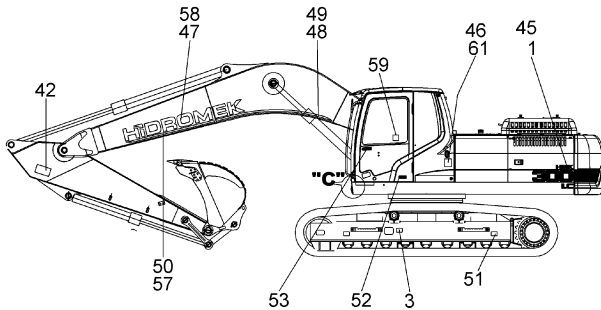
38  
KLİMA KAPAGI, ÖN GÖRÜNÜŞÜ  
AIR CON. COVER / FRONT VIEW



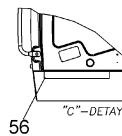
29  
HİDROLİK DEPO  
HYDRAULIC TANK



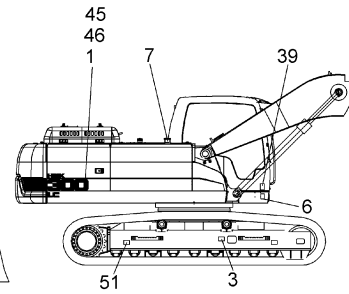
2  
KABIN ARKA CAMI  
CAB REAR WINDOW



43  
TAKIM SANDIĞI

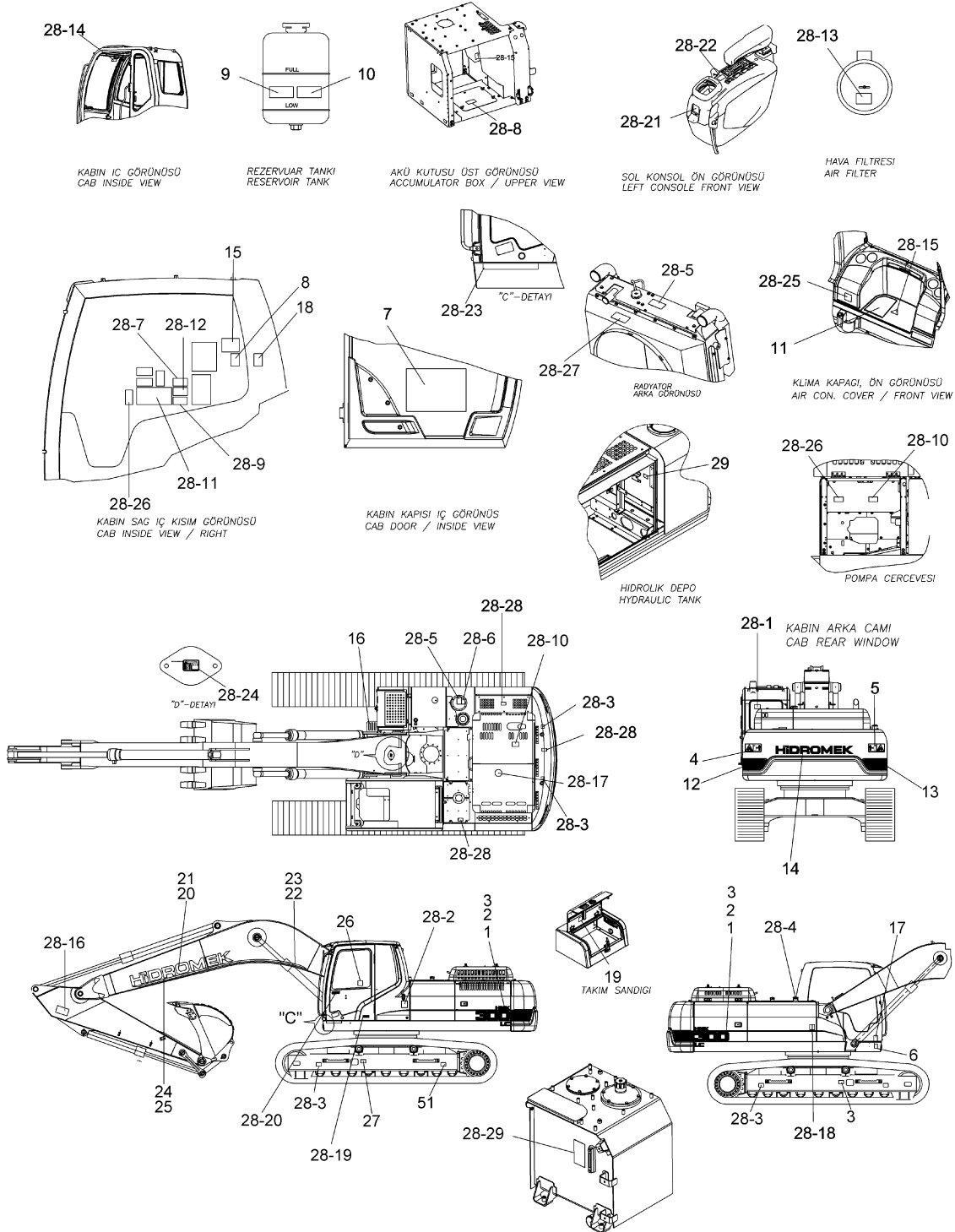


56  
"C"-DETAYI

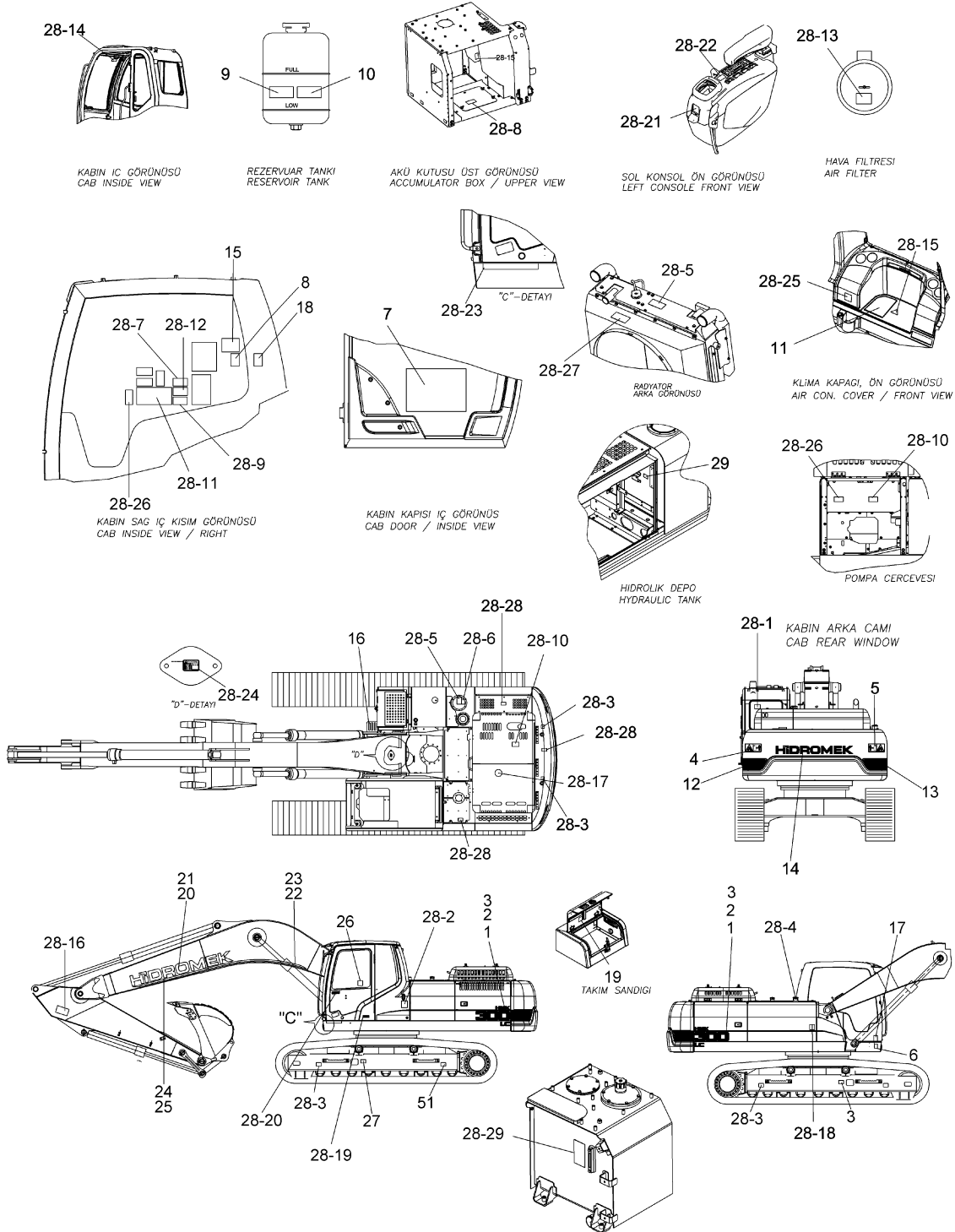




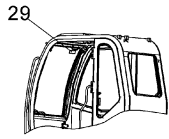
## ETİKETLER (FRANSIZCA) DECALS (FRENCH)



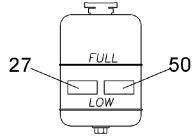
## ETİKETLER (FRANSIZCA) DECALS (FRENCH)



## ETİKETLER (LR, TÜRKÇE) DECALS (LR, TURKISH)

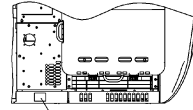


KABİN İÇ GÖRÜNÜŞÜ  
CAB INSIDE VIEW

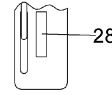


REZERVUAR TANKI  
RESERVOIR TANK

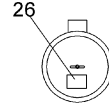
AKÜ KUTUSUNUN İÇİNDE  
INSIDE ACCUMULATOR BOX



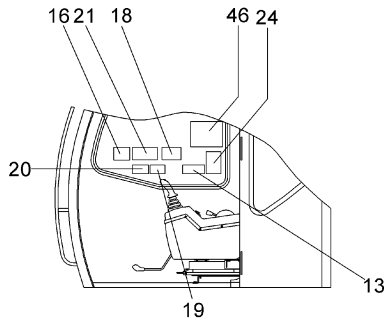
AKÜ KUTUSU ÜST GÖRÜNÜŞÜ  
ACCUMULATOR BOX / UPPER VIEW



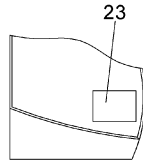
SOL KONSOL ÖN GÖRÜNÜŞÜ  
LEFT CONSOLE FRONT VIEW



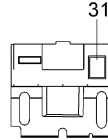
HAVA FİLTRESİ  
AIR FILTER



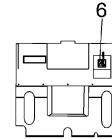
KABİN SAĞ İÇ KISIM GÖRÜNÜŞÜ  
CAB INSIDE VIEW / RIGHT



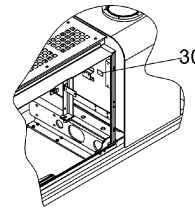
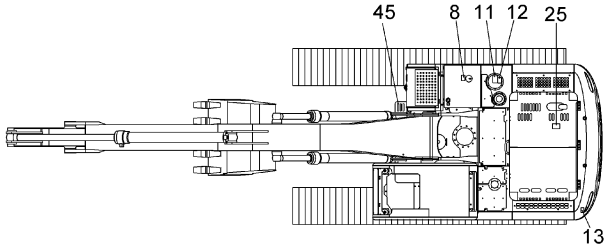
KABİN KAPISI İÇ GÖRÜNÜŞÜ  
CAB DOOR / INSIDE VIEW



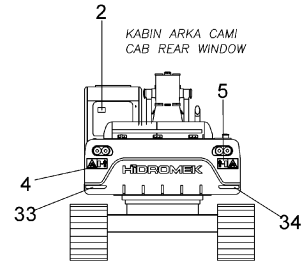
KLİMA KAPAGI, ÖN GÖRÜNÜŞÜ  
AIR CON. COVER / FRONT VIEW



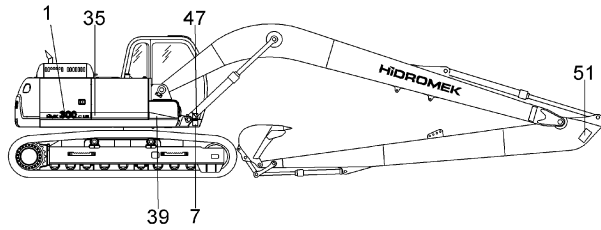
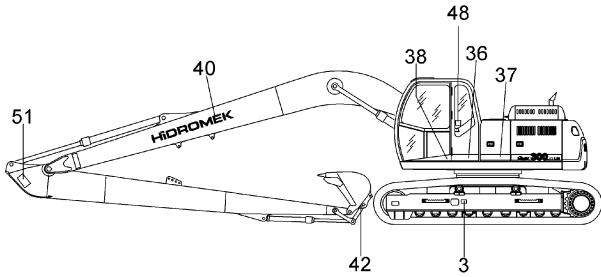
KLİMA KAPAGI, ÖN GÖRÜNÜŞÜ  
AIR CON. COVER / FRONT VIEW



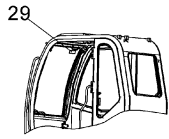
HİDROLİK DEPO  
HYDRAULIC TANK



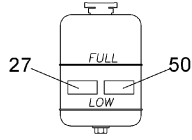
KABİN ARKA CAMI  
CAB REAR WINDOW



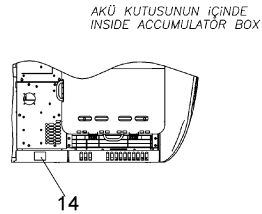
## ETİKETLER (LR, TÜRKÇE) DECALS (LR, TURKISH)



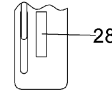
KABİN İÇ GÖRÜNÜSÜ  
CAB INSIDE VIEW



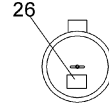
REZERVUAR TANKI  
RESERVOIR TANK



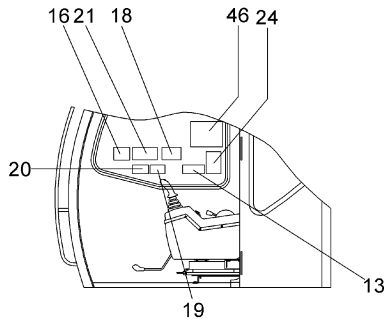
AKÜ KUTUSUNUN İÇİNDE  
INSIDE ACCUMULATOR BOX



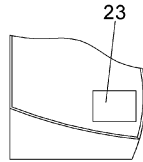
SOL KONSOL ÖN GÖRÜNÜSÜ  
LEFT CONSOLE FRONT VIEW



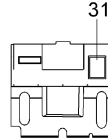
HAVA FİLTRESİ  
AIR FILTER



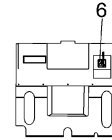
KABİN SAĞ İÇ KISIM GÖRÜNÜSÜ  
CAB INSIDE VIEW / RIGHT



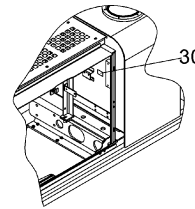
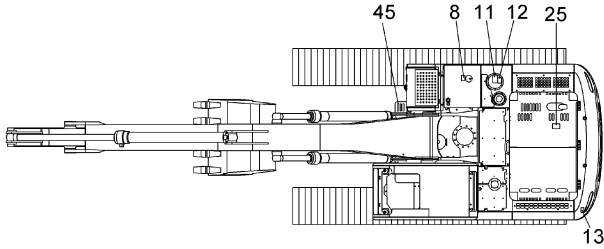
KABİN KAPISI İÇ GÖRÜNÜSÜ  
CAB DOOR / INSIDE VIEW



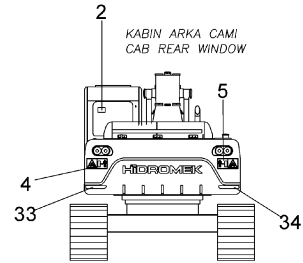
KLİMA KAPAGI, ÖN GÖRÜNÜSÜ  
AIR CON. COVER / FRONT VIEW



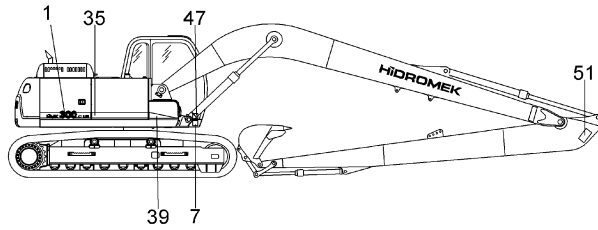
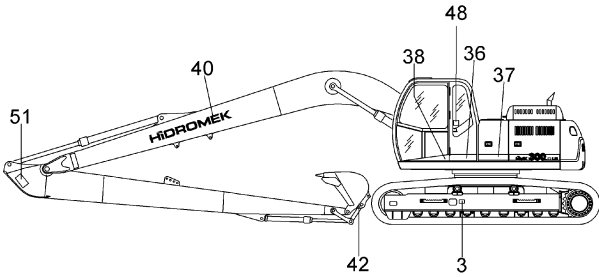
KLİMA KAPAGI, ÖN GÖRÜNÜSÜ  
AIR CON. COVER / FRONT VIEW



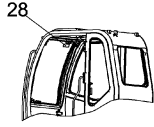
HİDROLİK DEPO  
HYDRAULIC TANK



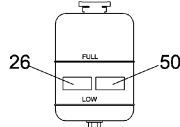
KABİN ARKA CAMI  
CAB REAR WINDOW



## ETİKETLER (LR, TÜRKÇE) DECALS (LR, TURKISH)

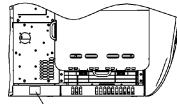


KABİN İÇ GÖRÜNÜŞÜ  
CAB INSIDE VIEW

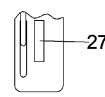


REZERVUAR TANKI  
RESERVOIR TANK

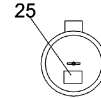
AKÜ KUTUSUNUN İÇİNDE  
INSIDE ACCUMULATOR BOX



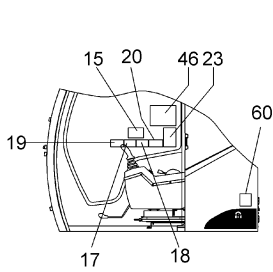
AKÜ KUTUSU ÜST GÖRÜNÜŞÜ  
ACCUMULATOR BOX / UPPER VIEW



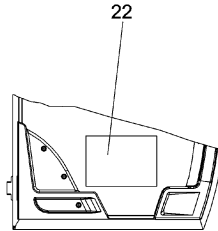
SOL KONSOL ÖN GÖRÜNÜŞÜ  
LEFT CONSOLE FRONT VIEW



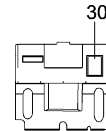
HAVA FİLTRESİ  
AIR FILTER



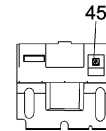
KABİN SAĞ İÇ KISIM GÖRÜNÜŞÜ  
CAB INSIDE VIEW / RIGHT



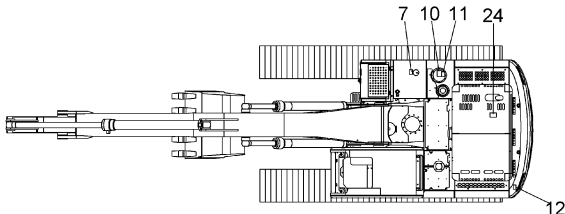
KABİN KAPISI İÇ GÖRÜNÜŞÜ  
CAB DOOR / INSIDE VIEW



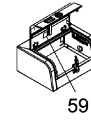
KLİMA KAPAGI, ÖN GÖRÜNÜŞÜ  
AIR CON. COVER / FRONT VIEW



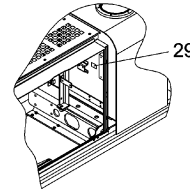
KLİMA KAPAGI, ÖN GÖRÜNÜŞÜ  
AIR CON. COVER / FRONT VIEW



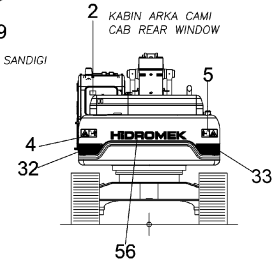
HİDROLİK DEPO  
HYDRAULIC TANK



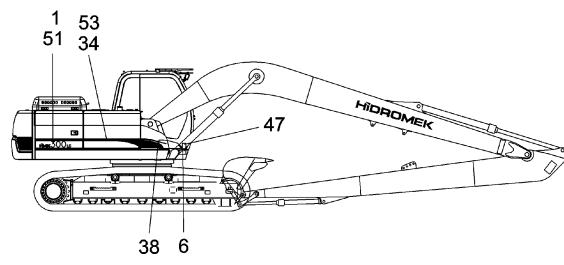
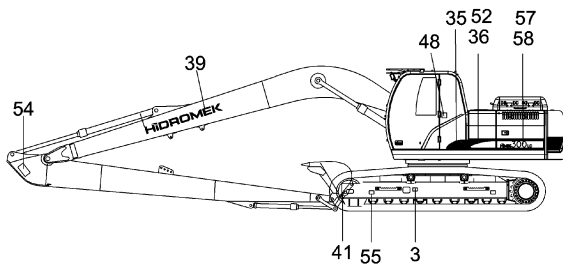
TAKIM SANDIĞI



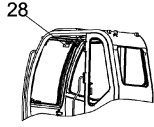
HİDROLİK DEPO  
HYDRAULIC TANK



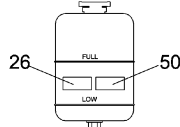
KABİN ARKA CAMI  
CAB REAR WINDOW



## ETİKETLER (LR, TÜRKÇE) DECALS (LR, TURKISH)

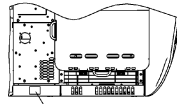


KABİN İÇ GÖRÜNÜŞÜ  
CAB INSIDE VIEW

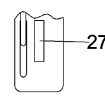


REZERVUAR TANKI  
RESERVOIR TANK

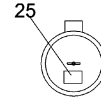
AKÜ KUTUSUNUN İÇİNDE  
INSIDE ACCUMULATOR BOX



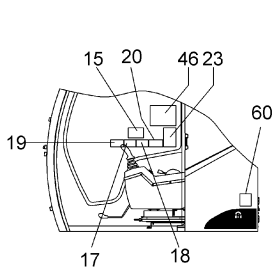
AKÜ KUTUSU ÜST GÖRÜNÜŞÜ  
ACCUMULATOR BOX / UPPER VIEW



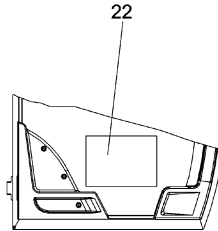
SOL KONSOL ÖN GÖRÜNÜŞÜ  
LEFT CONSOLE FRONT VIEW



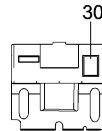
HAVA FİLTRESİ  
AIR FILTER



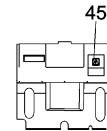
KABİN SAĞ İÇ KISIM GÖRÜNÜŞÜ  
CAB INSIDE VIEW / RIGHT



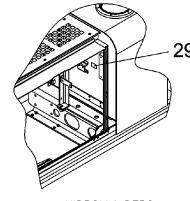
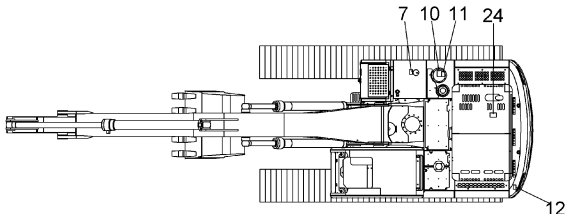
KABİN KAPISI İÇ GÖRÜNÜŞÜ  
CAB DOOR / INSIDE VIEW



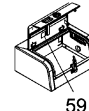
KLİMA KAPAGI, ÖN GÖRÜNÜŞÜ  
AIR CON. COVER / FRONT VIEW



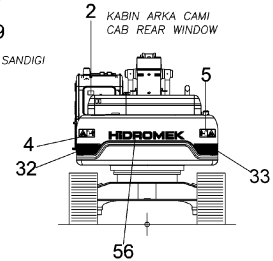
KLİMA KAPAGI, ÖN GÖRÜNÜŞÜ  
AIR CON. COVER / FRONT VIEW



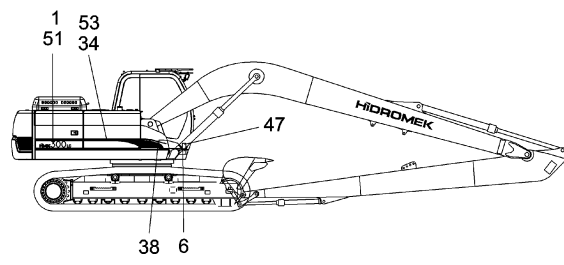
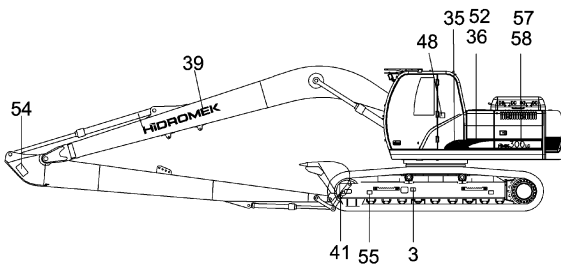
HİDROLİK DEPO  
HYDRAULIC TANK



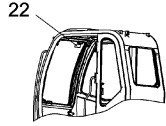
TAKIM SANDIĞI



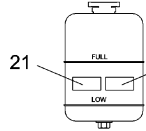
KABİN ARKA CAMI  
CAB REAR WINDOW



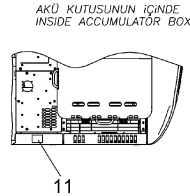
## ETİKETLER (LR, TÜRKÇE) DECALS (LR, TURKISH)



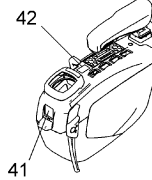
22  
KABİN İÇ GÖRÜNÜŞÜ  
CAB INSIDE VIEW



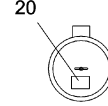
21  
REZERVUAR TANKI  
RESERVOIR TANK



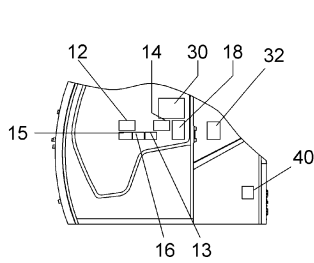
AKÜ KUTUSUNUN İÇİNDE  
INSIDE ACCUMULATOR BOX  
11  
AKÜ KUTUSU ÜST GÖRÜNÜŞÜ  
ACCUMULATOR BOX / UPPER VIEW



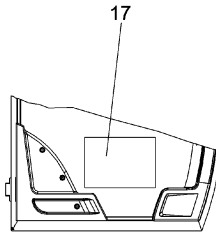
42  
41  
SOL KONSOL ÖN GÖRÜNÜŞÜ  
LEFT CONSOLE FRONT VIEW



20  
HAVA FİLTRESİ  
AIR FILTER



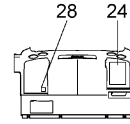
12 14 30 18 32  
15  
16 13  
KABİN SAĞ İÇ KISIM GÖRÜNÜŞÜ  
CAB INSIDE VIEW / RIGHT



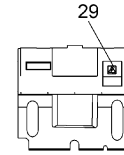
17  
KABİN KAPISI İÇ GÖRÜNÜŞÜ  
CAB DOOR / INSIDE VIEW



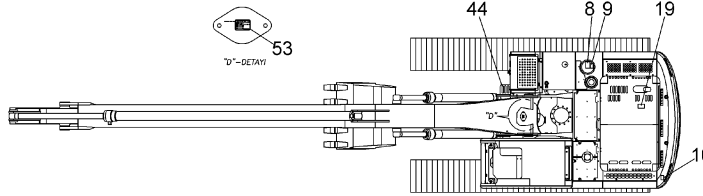
39  
TAKIM SANDIĞI



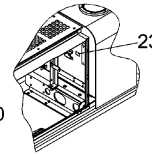
28 24  
KLİMA KAPAGI, ÖN GÖRÜNÜŞÜ  
AIR CON. COVER / FRONT VIEW



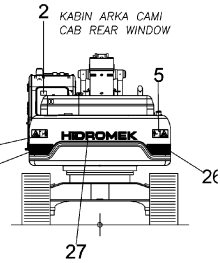
29  
KLİMA KAPAGI, ÖN GÖRÜNÜŞÜ  
AIR CON. COVER / FRONT VIEW



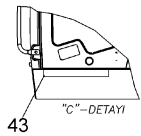
53  
"D"-DETAYI



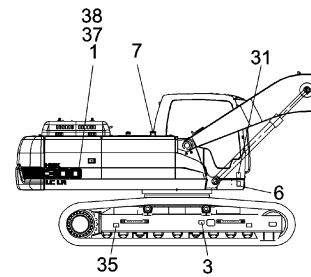
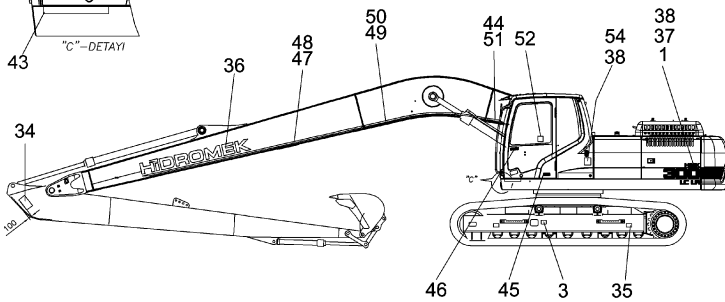
23  
HİDROLİK DEPO  
HYDRAULIC TANK



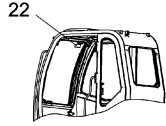
2  
KABİN ARKA CAMI  
CAB REAR WINDOW



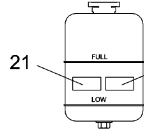
43  
"C"-DETAYI



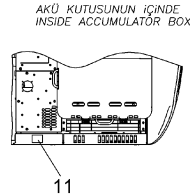
## ETİKETLER (LR, TÜRKÇE) DECALS (LR, TURKISH)



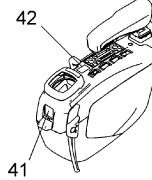
22  
KABİN İÇ GÖRÜNÜŞÜ  
CAB INSIDE VIEW



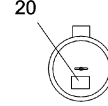
21  
REZERVUAR TANKI  
RESERVOIR TANK



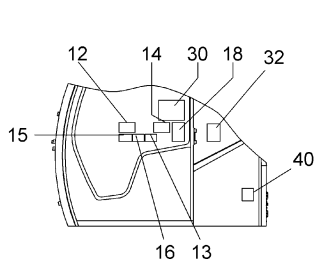
AKÜ KUTUSUNUN İÇİNDE  
INSIDE ACCUMULATOR BOX  
11  
AKÜ KUTUSU ÜST GÖRÜNÜŞÜ  
ACCUMULATOR BOX / UPPER VIEW



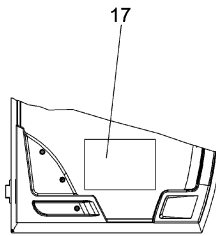
42  
41  
SOL KONSOL ÖN GÖRÜNÜŞÜ  
LEFT CONSOLE FRONT VIEW



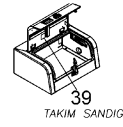
20  
HAVA FİLTRESİ  
AIR FILTER



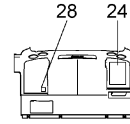
12 14 30 18 32  
15  
16 13  
KABİN SAĞ İÇ KISIM GÖRÜNÜŞÜ  
CAB INSIDE VIEW / RIGHT



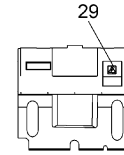
17  
KABİN KAPISI İÇ GÖRÜNÜŞÜ  
CAB DOOR / INSIDE VIEW



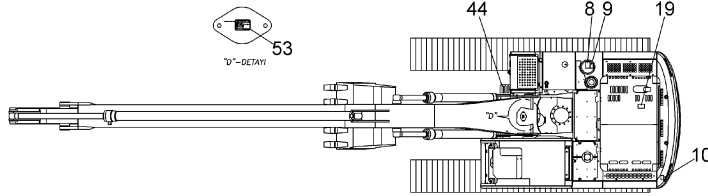
39  
TAKIM SANDIĞI



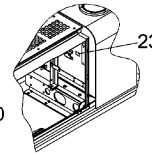
28 24  
KLİMA KAPAGI, ÖN GÖRÜNÜŞÜ  
AIR CON. COVER / FRONT VIEW



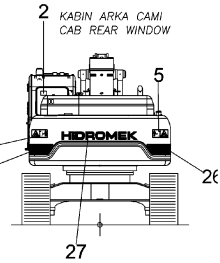
29  
KLİMA KAPAGI, ÖN GÖRÜNÜŞÜ  
AIR CON. COVER / FRONT VIEW



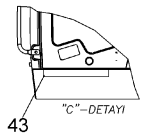
53  
"D"-DETAYI



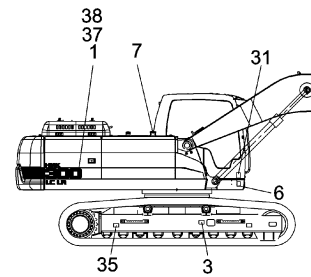
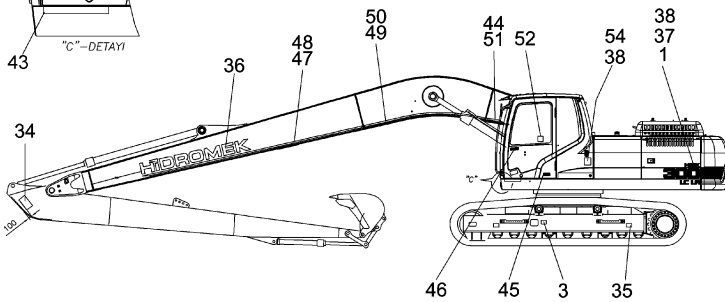
23  
HİDROLİK DEPO  
HYDRAULIC TANK



2  
KABİN ARKA CAMI  
CAB REAR WINDOW

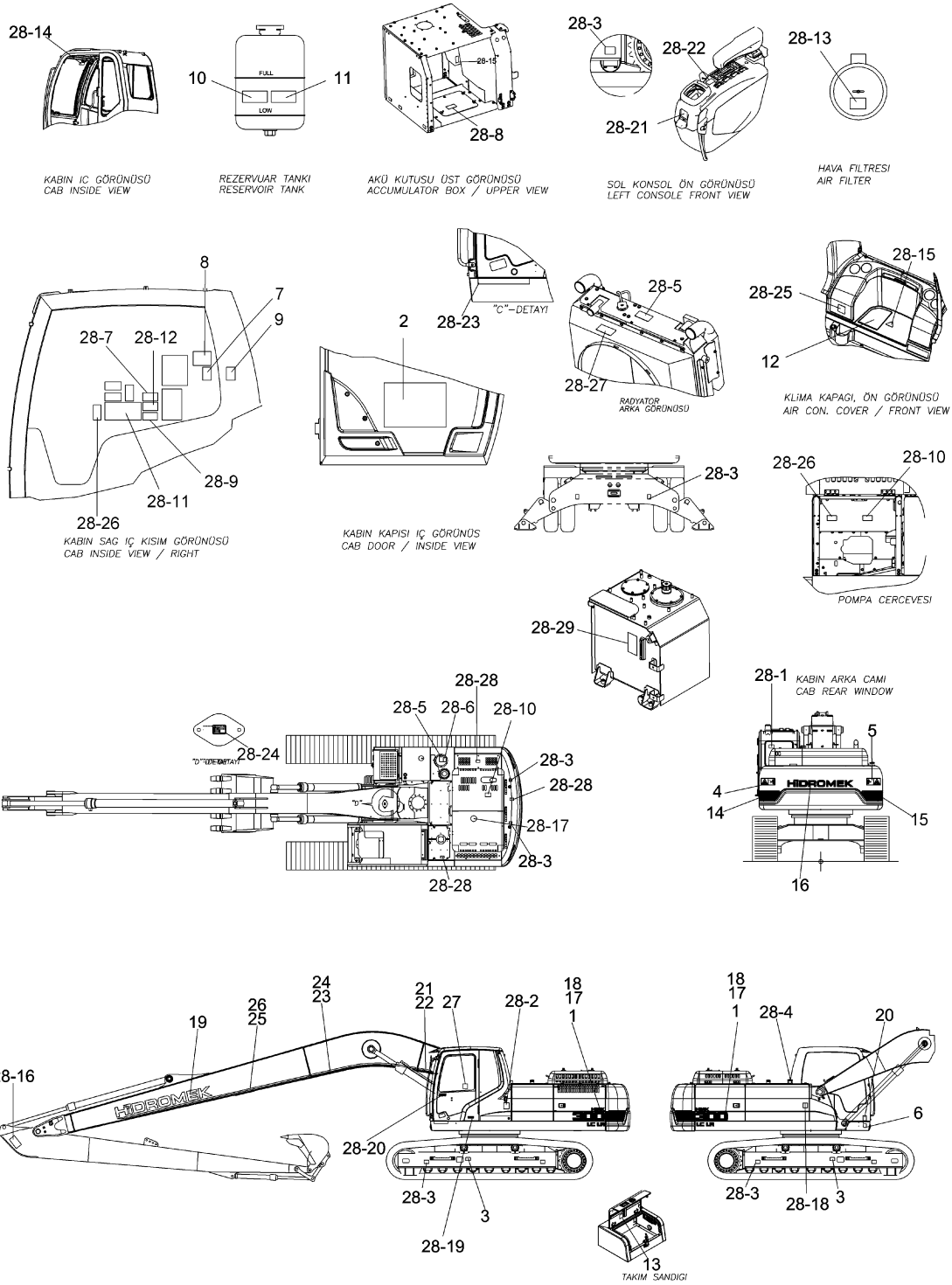


43  
"C"-DETAYI

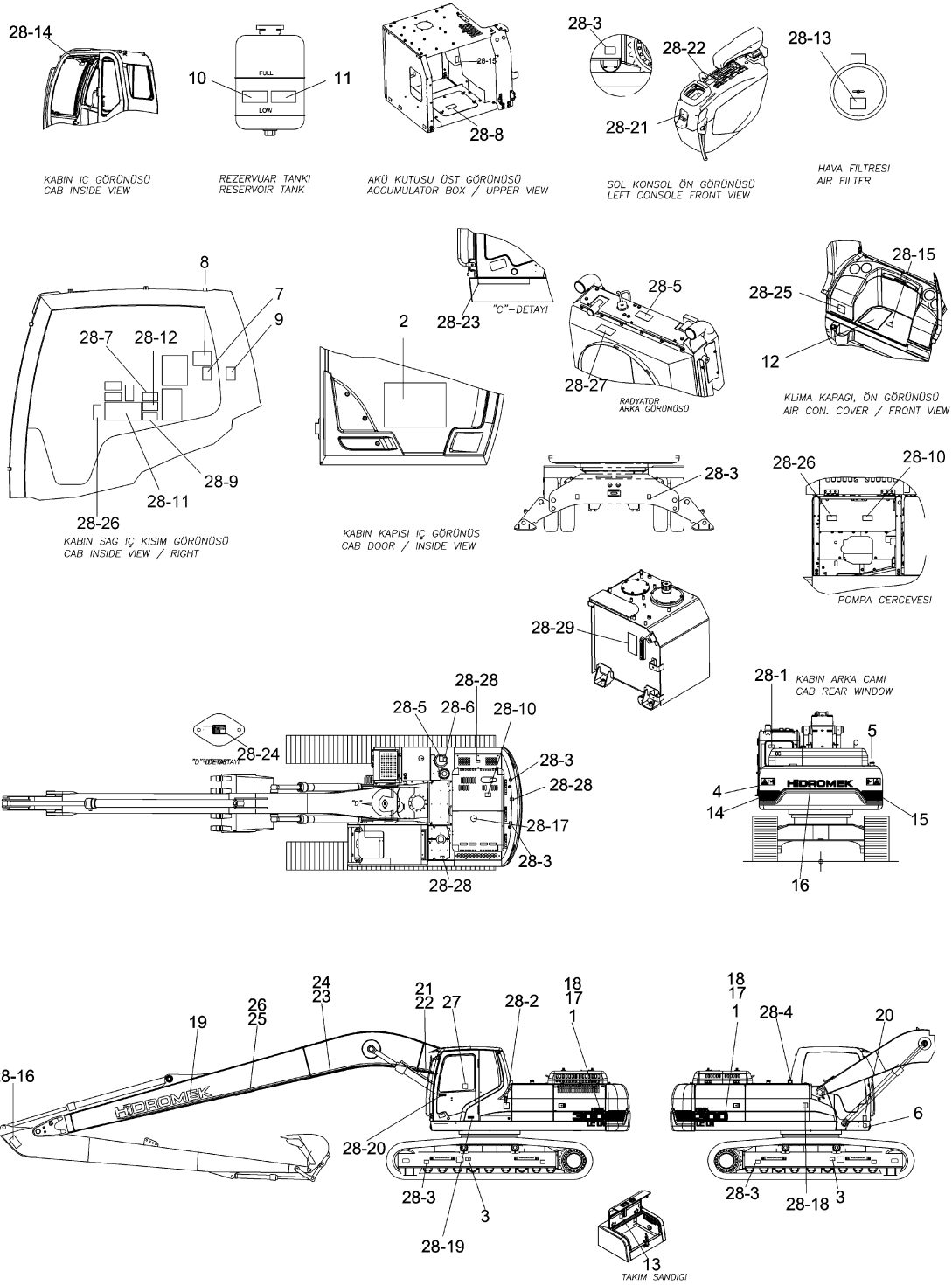




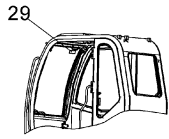
## ETİKETLER (LR, TÜRKÇE) DECALS (LR, TURKISH)



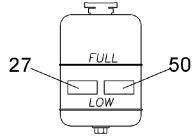
## ETİKETLER (LR, TÜRKÇE) DECALS (LR, TURKISH)



## ETİKETLER (LR, İNGİLİZCE) DECALS (LR, ENGLISH)

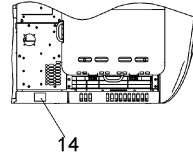


KABİN İÇ GÖRÜNÜŞÜ  
CAB INSIDE VIEW

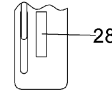


REZERVUAR TANKI  
RESERVOIR TANK

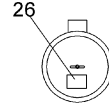
AKÜ KUTUSUNUN İÇİNDE  
INSIDE ACCUMULATOR BOX



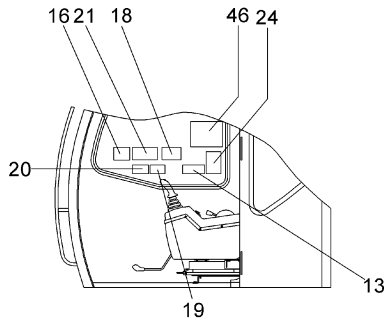
AKÜ KUTUSU ÜST GÖRÜNÜŞÜ  
ACCUMULATOR BOX / UPPER VIEW



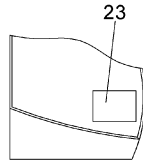
SOL KONSOL ÖN GÖRÜNÜŞÜ  
LEFT CONSOLE FRONT VIEW



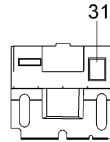
HAVA FİLTRESİ  
AIR FILTER



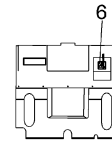
KABİN SAĞ İÇ KISIM GÖRÜNÜŞÜ  
CAB INSIDE VIEW / RIGHT



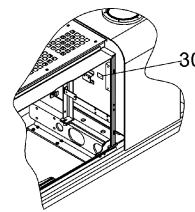
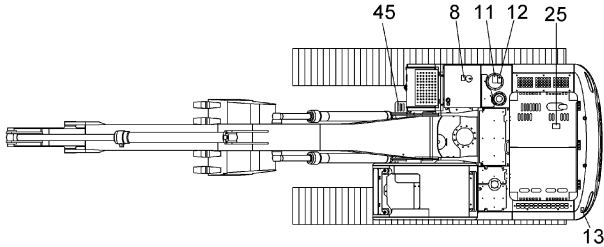
KABİN KAPISI İÇ GÖRÜNÜŞÜ  
CAB DOOR / INSIDE VIEW



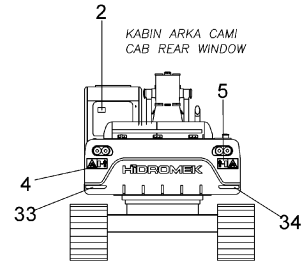
KLİMA KAPAGI, ÖN GÖRÜNÜŞÜ  
AIR CON. COVER / FRONT VIEW



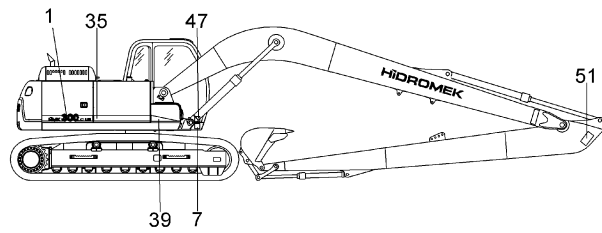
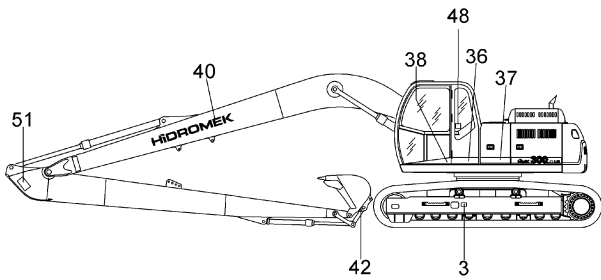
KLİMA KAPAGI, ÖN GÖRÜNÜŞÜ  
AIR CON. COVER / FRONT VIEW



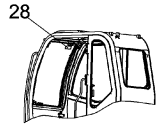
HİDROLİK DEPO  
HYDRAULIC TANK



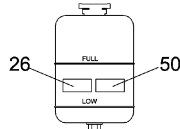
KABİN ARKA CAMI  
CAB REAR WINDOW



## ETİKETLER (LR, İNGİLİZCE) DECALS (LR, ENGLISH)

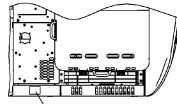


KABİN İÇ GÖRÜNÜŞÜ  
CAB INSIDE VIEW

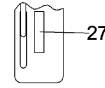


REZERVUAR TANKI  
RESERVOIR TANK

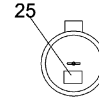
AKÜ KUTUSUNUN İÇİNDE  
INSIDE ACCUMULATOR BOX



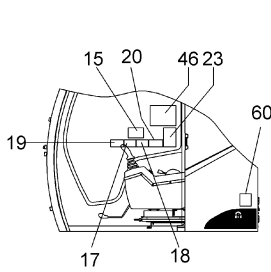
AKÜ KUTUSU ÜST GÖRÜNÜŞÜ  
ACCUMULATOR BOX / UPPER VIEW



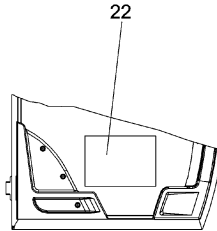
SOL KONSOL ÖN GÖRÜNÜŞÜ  
LEFT CONSOLE FRONT VIEW



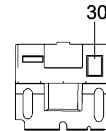
HAVA FİLTRESİ  
AIR FILTER



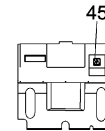
KABİN SAĞ İÇ KISIM GÖRÜNÜŞÜ  
CAB INSIDE VIEW / RIGHT



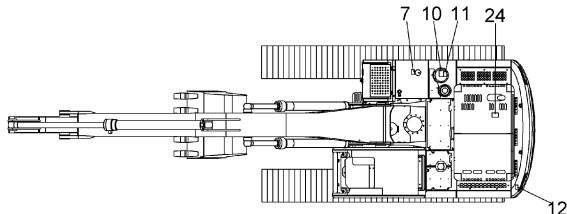
KABİN KAPISI İÇ GÖRÜNÜŞÜ  
CAB DOOR / INSIDE VIEW



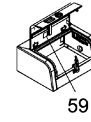
KLİMA KAPAGI, ÖN GÖRÜNÜŞÜ  
AIR CON. COVER / FRONT VIEW



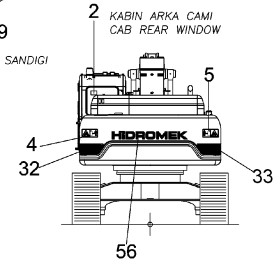
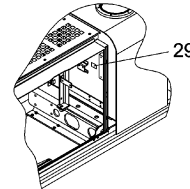
KLİMA KAPAGI, ÖN GÖRÜNÜŞÜ  
AIR CON. COVER / FRONT VIEW



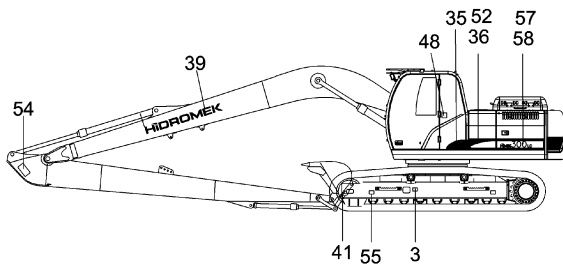
HİDROLİK DEPO  
HYDRAULIC TANK



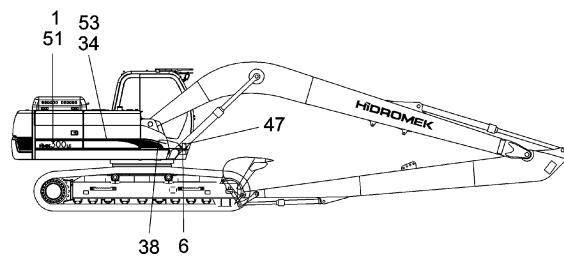
TAKIM SANDIĞI



KABİN ARKA CAMI  
CAB REAR WINDOW

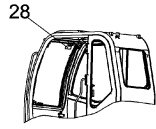


41 55 3

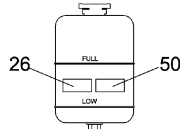


38 6

## ETİKETLER (LR, İNGİLİZCE) DECALS (LR, ENGLISH)

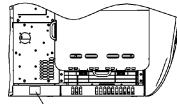


KABİN İÇ GÖRÜNÜŞÜ  
CAB INSIDE VIEW

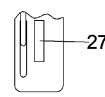


REZERVUAR TANKI  
RESERVOIR TANK

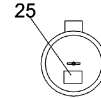
AKÜ KUTUSUNUN İÇİNDE  
INSIDE ACCUMULATOR BOX



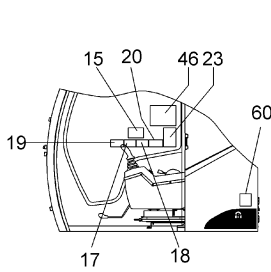
AKÜ KUTUSU ÜST GÖRÜNÜŞÜ  
ACCUMULATOR BOX / UPPER VIEW



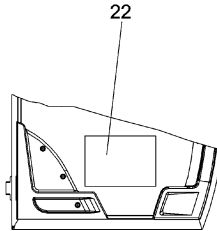
SOL KONSOL ÖN GÖRÜNÜŞÜ  
LEFT CONSOLE FRONT VIEW



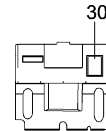
HAVA FİLTRESİ  
AIR FILTER



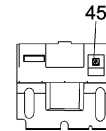
KABİN SAĞ İÇ KISIM GÖRÜNÜŞÜ  
CAB INSIDE VIEW / RIGHT



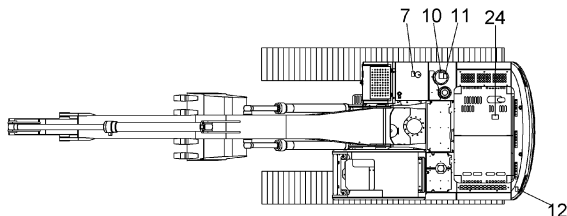
KABİN KAPISI İÇ GÖRÜNÜŞÜ  
CAB DOOR / INSIDE VIEW



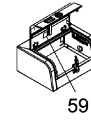
KLİMA KAPAGI, ÖN GÖRÜNÜŞÜ  
AIR CON. COVER / FRONT VIEW



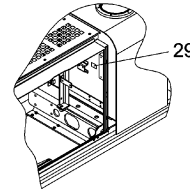
KLİMA KAPAGI, ÖN GÖRÜNÜŞÜ  
AIR CON. COVER / FRONT VIEW



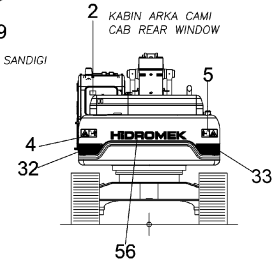
HİDROLİK DEPO  
HYDRAULIC TANK



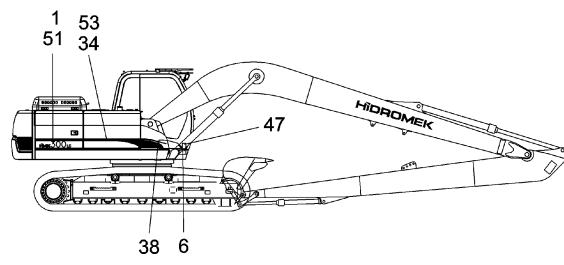
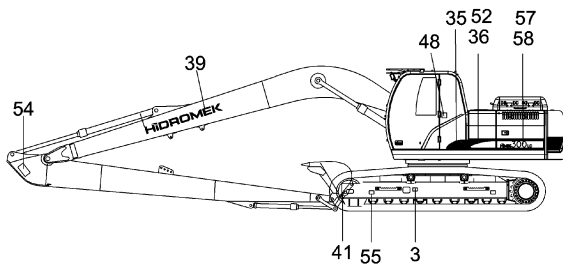
TAKIM SANDIĞI



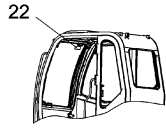
HİDROLİK DEPO  
HYDRAULIC TANK



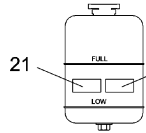
KABİN ARKA CAMI  
CAB REAR WINDOW



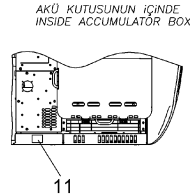
## ETİKETLER (LR, İNGİLİZCE) DECALS (LR, ENGLISH)



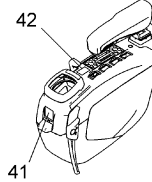
22  
KABİN İÇ GÖRÜNÜŞÜ  
CAB INSIDE VIEW



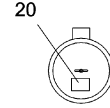
21  
REZERVUAR TANKI  
RESERVOIR TANK



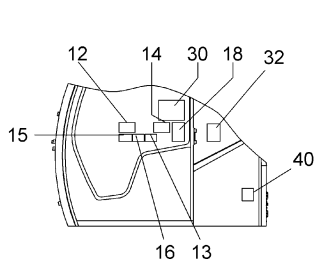
11  
AKÜ KUTUSUNUN İÇİNDE  
INSIDE ACCUMULATOR BOX  
AKÜ KUTUSU ÜST GÖRÜNÜŞÜ  
ACCUMULATOR BOX / UPPER VIEW



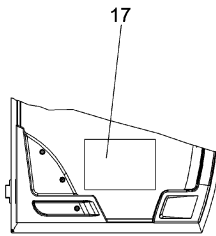
42  
41  
SOL KONSOL ÖN GÖRÜNÜŞÜ  
LEFT CONSOLE FRONT VIEW



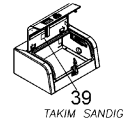
20  
HAVA FİLTRESİ  
AIR FILTER



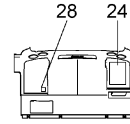
12 14 30 18 32  
15  
16 13  
KABİN SAĞ İÇ KISIM GÖRÜNÜŞÜ  
CAB INSIDE VIEW / RIGHT



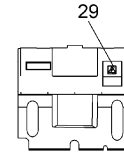
17  
KABİN KAPISI İÇ GÖRÜNÜŞÜ  
CAB DOOR / INSIDE VIEW



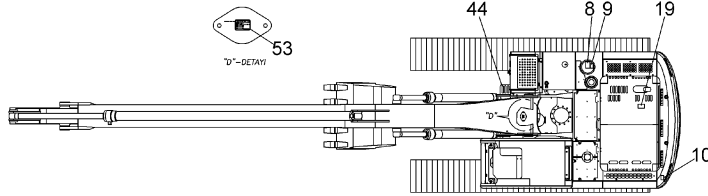
39  
TAKIM SANDIĞI



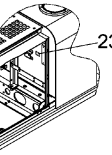
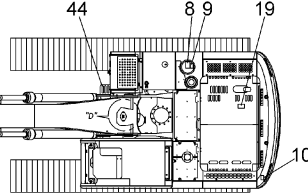
28 24  
KLİMA KAPAGI, ÖN GÖRÜNÜŞÜ  
AIR CON. COVER / FRONT VIEW



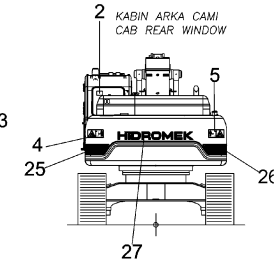
29  
KLİMA KAPAGI, ÖN GÖRÜNÜŞÜ  
AIR CON. COVER / FRONT VIEW



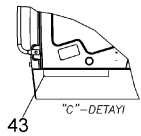
53  
"D"-DETAYI



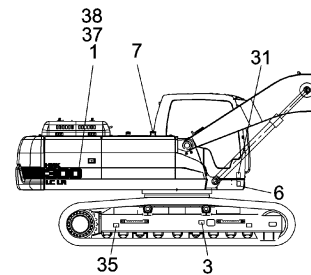
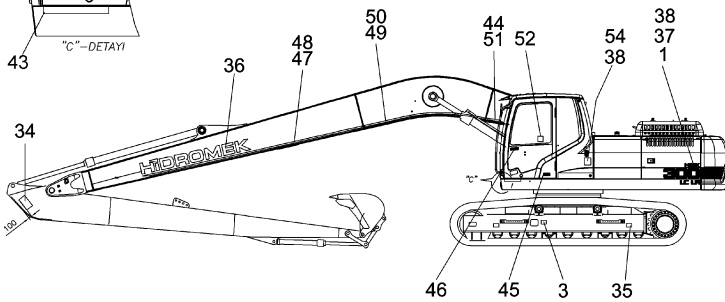
23  
HİDROLİK DEPO  
HYDRAULIC TANK



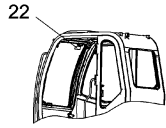
2  
KABİN ARKA CAMI  
CAB REAR WINDOW



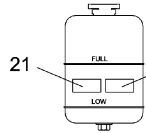
43  
"C"-DETAYI



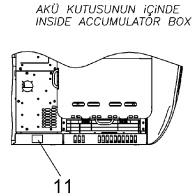
## ETİKETLER (LR, İNGİLİZCE) DECALS (LR, ENGLISH)



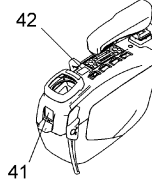
22  
KABİN İÇ GÖRÜNÜŞÜ  
CAB INSIDE VIEW



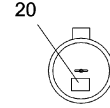
21  
REZERVUAR TANKI  
RESERVOIR TANK



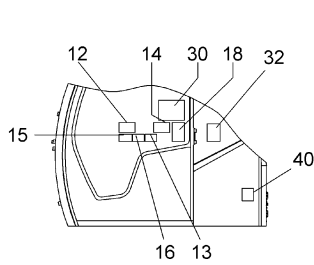
11  
AKÜ KUTUSUNUN İÇİNDE  
INSIDE ACCUMULATOR BOX  
AKÜ KUTUSU ÜST GÖRÜNÜŞÜ  
ACCUMULATOR BOX / UPPER VIEW



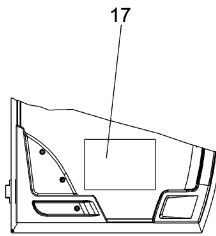
42  
41  
SOL KONSOL ÖN GÖRÜNÜŞÜ  
LEFT CONSOLE FRONT VIEW



20  
HAVA FİLTRESİ  
AIR FILTER



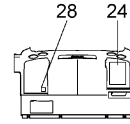
12 14 30 18 32  
15  
16 13  
KABİN SAĞ İÇ KISIM GÖRÜNÜŞÜ  
CAB INSIDE VIEW / RIGHT



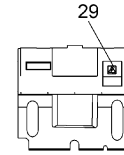
17  
KABİN KAPISI İÇ GÖRÜNÜŞÜ  
CAB DOOR / INSIDE VIEW



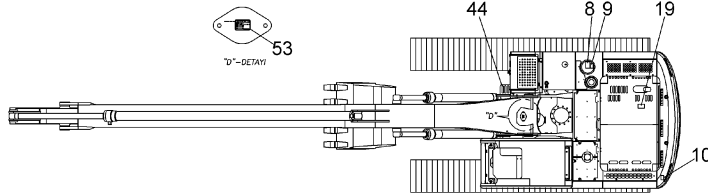
39  
TAKIM SANDIĞI



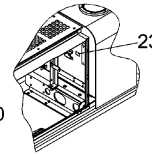
28 24  
KLİMA KAPAGI, ÖN GÖRÜNÜŞÜ  
AIR CON. COVER / FRONT VIEW



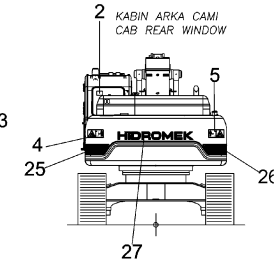
29  
KLİMA KAPAGI, ÖN GÖRÜNÜŞÜ  
AIR CON. COVER / FRONT VIEW



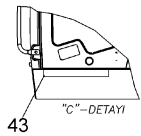
53  
"D"-DETAYI



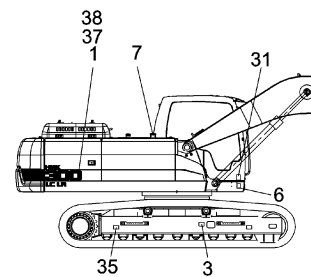
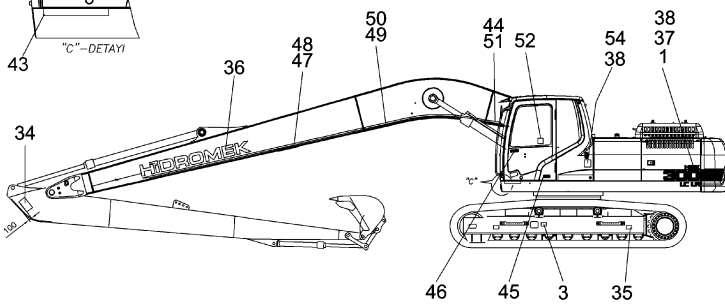
23  
HİDROLİK DEPO  
HYDRAULIC TANK



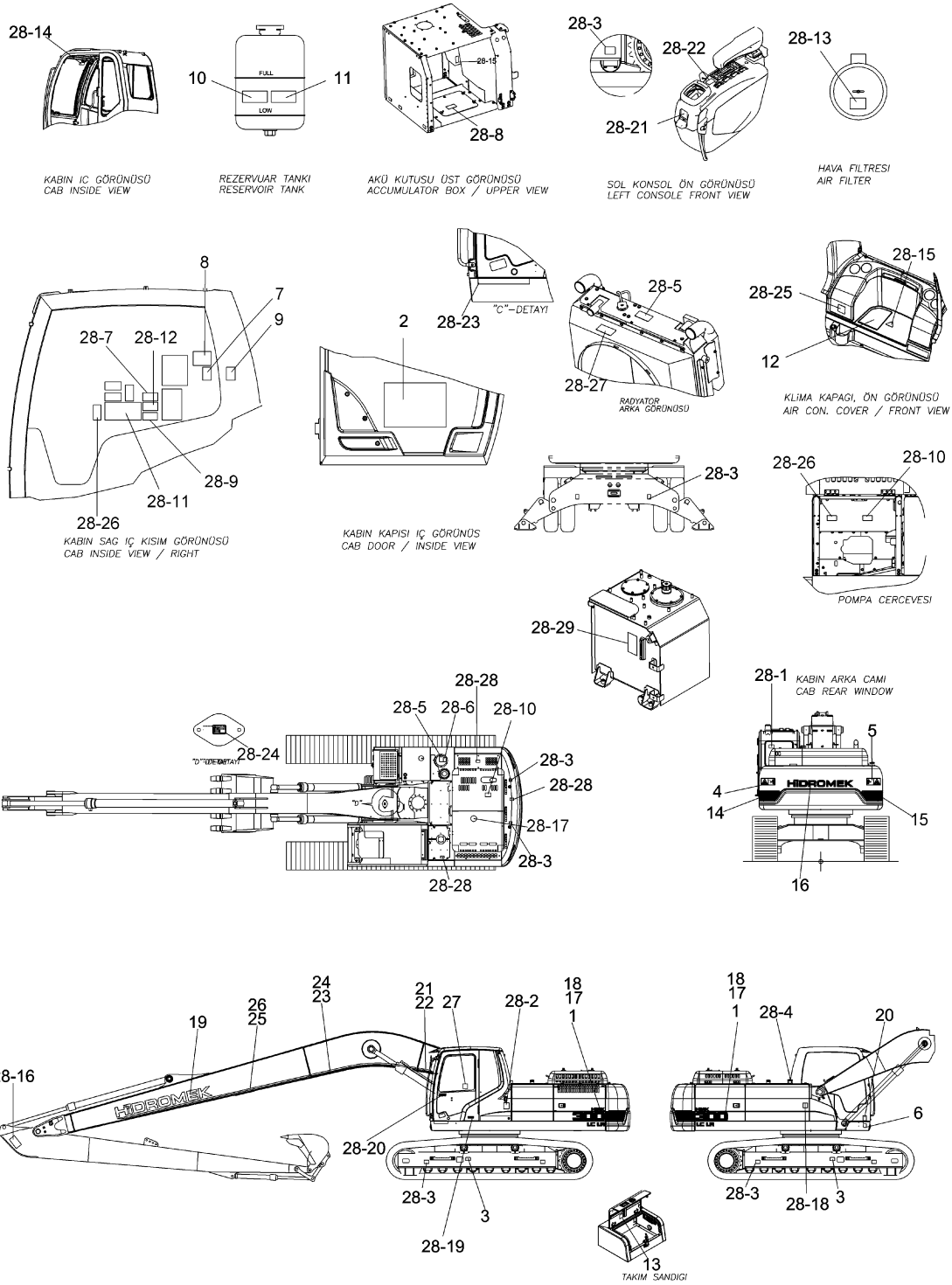
2  
KABİN ARKA CAMI  
CAB REAR WINDOW



43  
"C"-DETAYI

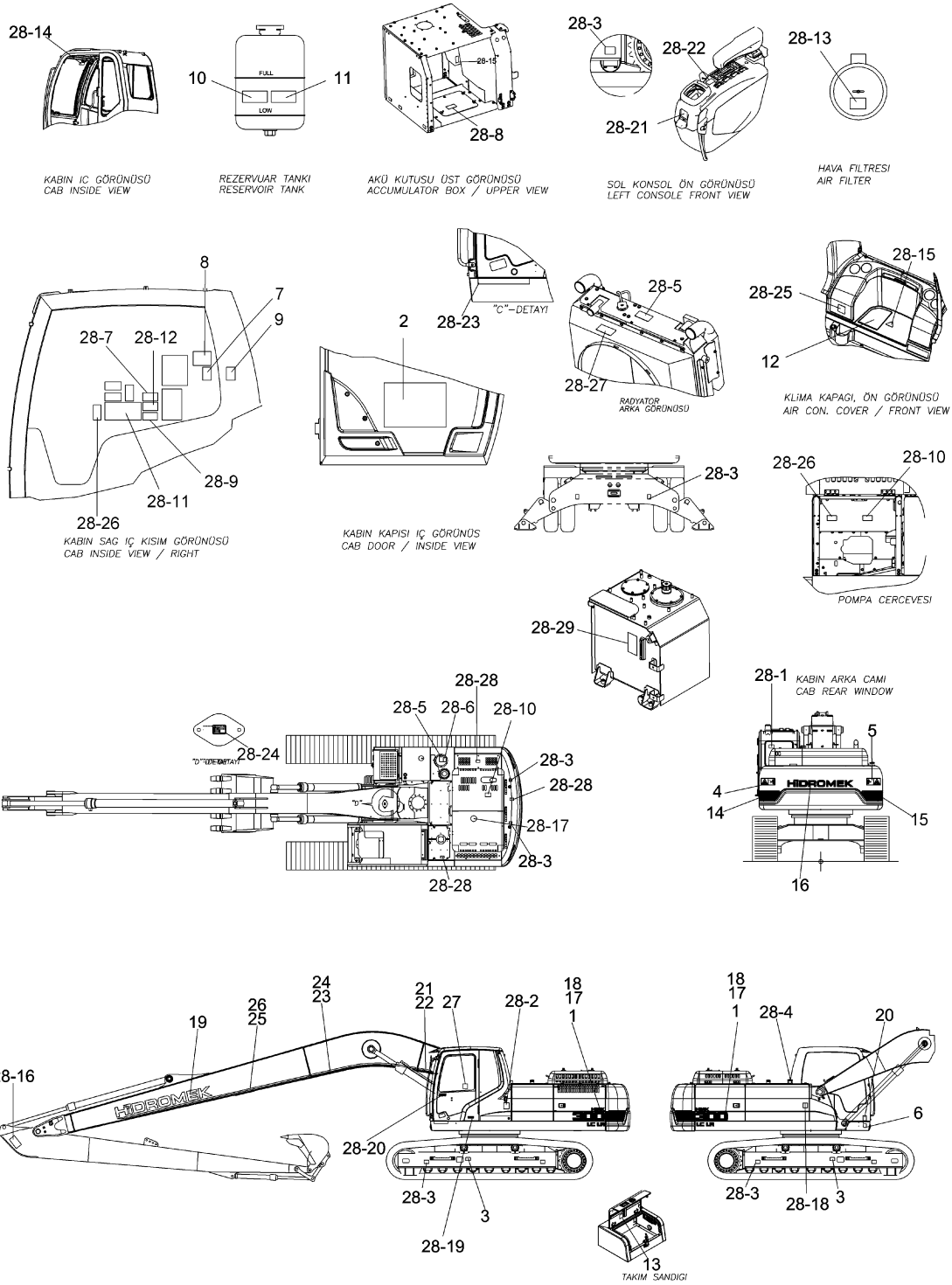


## ETİKETLER (LR, İNGİLİZCE) DECALS (LR, ENGLISH)

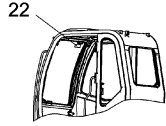




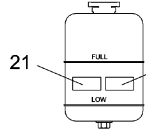
## ETİKETLER (LR, İNGİLİZCE) DECALS (LR, ENGLISH)



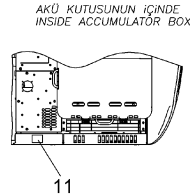
## ETİKETLER (LR, PORTEKİZCE) DECALS (LR, PORTUGUESE)



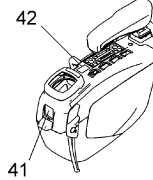
22  
KABİN İÇ GÖRÜNÜŞÜ  
CAB INSIDE VIEW



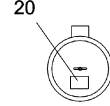
21  
REZERVUAR TANKI  
RESERVOIR TANK



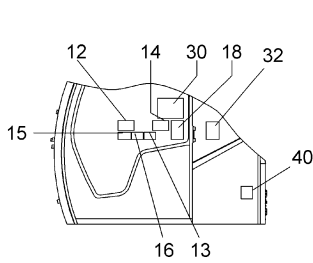
11  
AKÜ KUTUSUNUN İÇİNDE  
INSIDE ACCUMULATOR BOX  
AKÜ KUTUSU ÜST GÖRÜNÜŞÜ  
ACCUMULATOR BOX / UPPER VIEW



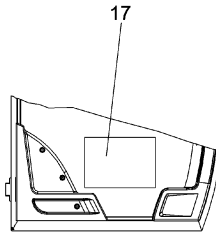
42  
41  
SOL KONSOL ÖN GÖRÜNÜŞÜ  
LEFT CONSOLE FRONT VIEW



20  
HAVA FİLTRESİ  
AIR FILTER



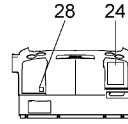
12 14 30 18 32  
15  
16 13  
KABİN SAĞ İÇ KISIM GÖRÜNÜŞÜ  
CAB INSIDE VIEW / RIGHT



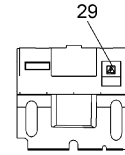
17  
KABİN KAPISI İÇ GÖRÜNÜŞÜ  
CAB DOOR / INSIDE VIEW



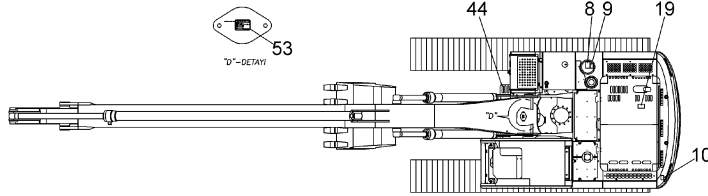
39  
TAKIM SANDIĞI



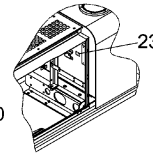
28 24  
KLİMA KAPAGI, ÖN GÖRÜNÜŞÜ  
AIR CON. COVER / FRONT VIEW



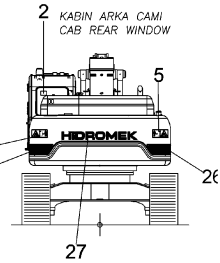
29  
KLİMA KAPAGI, ÖN GÖRÜNÜŞÜ  
AIR CON. COVER / FRONT VIEW



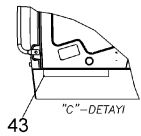
53  
"D"-DETAYI



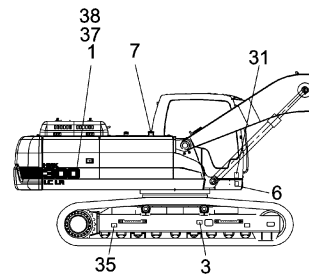
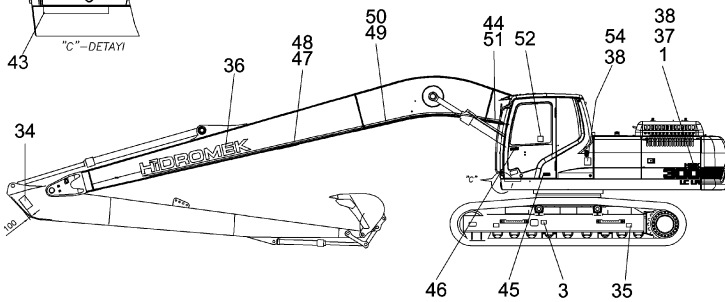
23  
HİDROLİK DEPO  
HYDRAULIC TANK



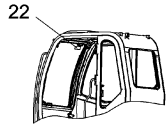
2  
KABİN ARKA CAMI  
CAB REAR WINDOW



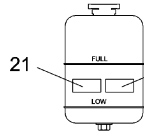
43  
"C"-DETAYI



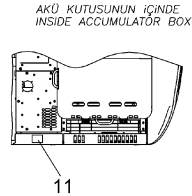
## ETİKETLER (LR, PORTEKİZCE) DECALS (LR, PORTUGUESE)



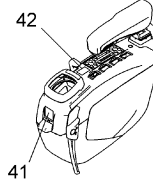
22  
KABİN İÇ GÖRÜNÜŞÜ  
CAB INSIDE VIEW



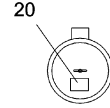
21  
REZERVUAR TANKI  
RESERVOIR TANK



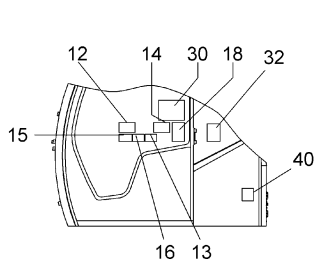
11  
AKÜ KUTUSUNUN İÇİNDE  
INSIDE ACCUMULATOR BOX  
AKÜ KUTUSU ÜST GÖRÜNÜŞÜ  
ACCUMULATOR BOX / UPPER VIEW



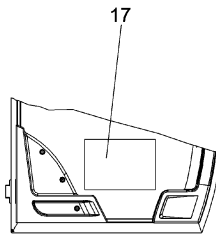
42  
41  
SOL KONSOL ÖN GÖRÜNÜŞÜ  
LEFT CONSOLE FRONT VIEW



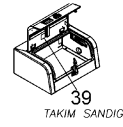
20  
HAVA FİLTRESİ  
AIR FILTER



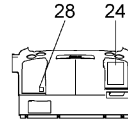
12 14 30 18 32  
15  
16 13  
KABİN SAĞ İÇ KISIM GÖRÜNÜŞÜ  
CAB INSIDE VIEW / RIGHT



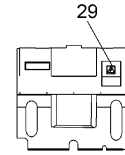
17  
KABİN KAPISI İÇ GÖRÜNÜŞÜ  
CAB DOOR / INSIDE VIEW



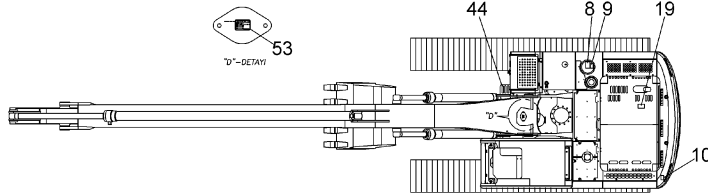
39  
TAKIM SANDIĞI



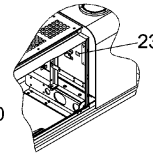
28 24  
KLİMA KAPAGI, ÖN GÖRÜNÜŞÜ  
AIR CON. COVER / FRONT VIEW



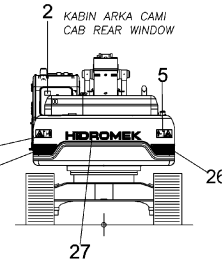
29  
KLİMA KAPAGI, ÖN GÖRÜNÜŞÜ  
AIR CON. COVER / FRONT VIEW



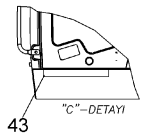
53  
"D"-DETAYI



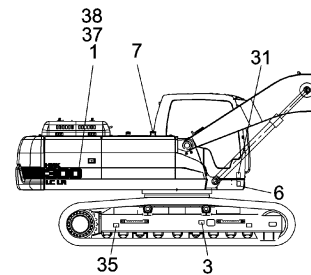
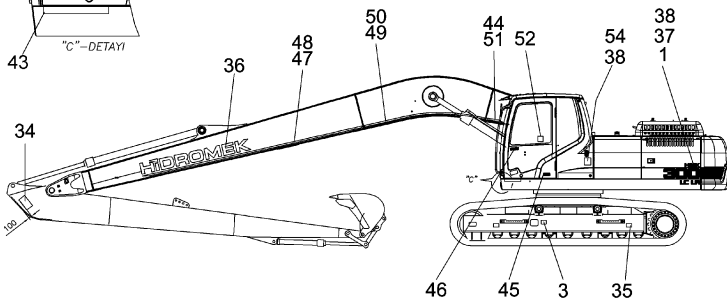
23  
HİDROLİK DEPO  
HYDRAULIC TANK



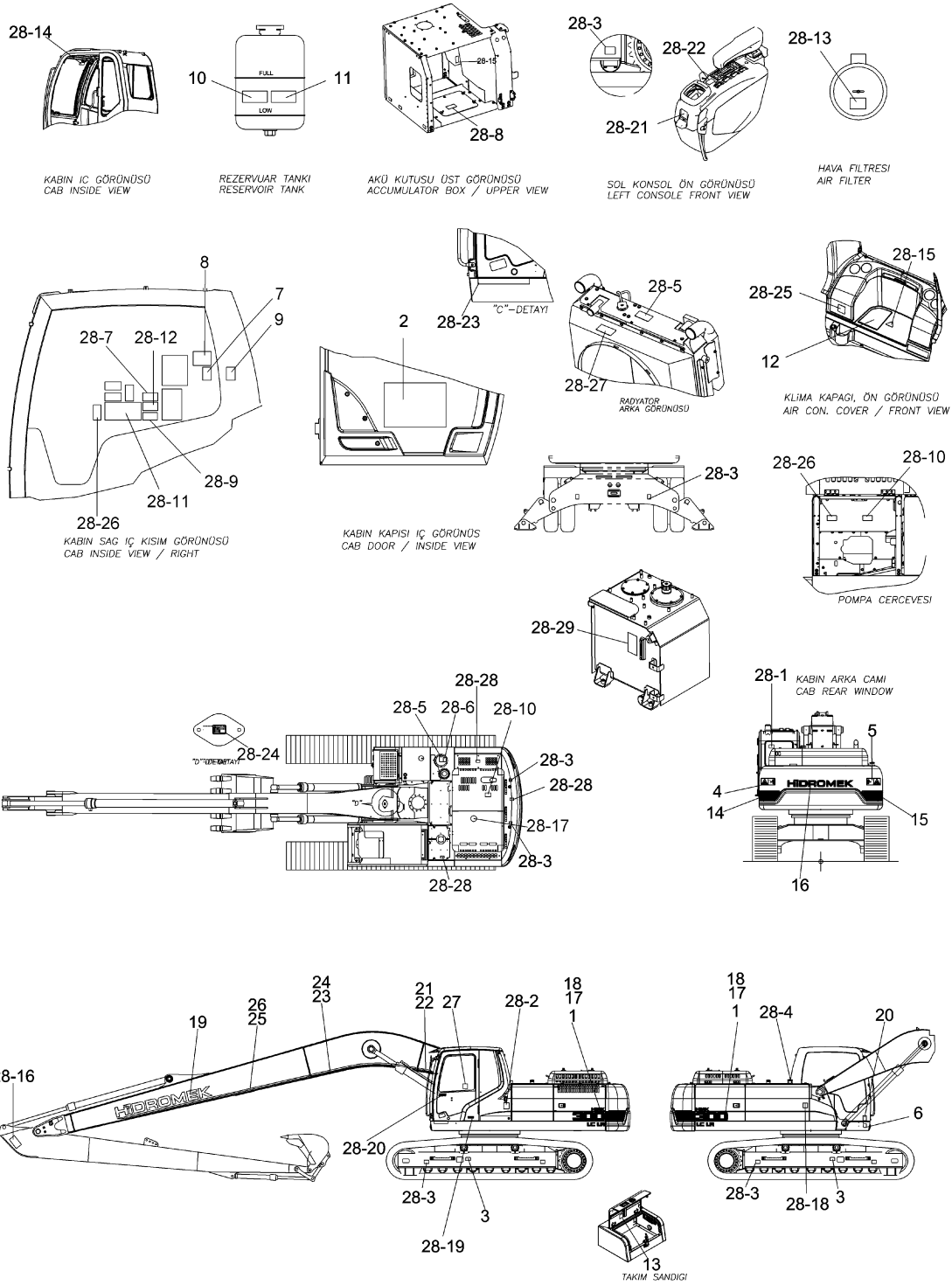
2  
KABİN ARKA CAMI  
CAB REAR WINDOW



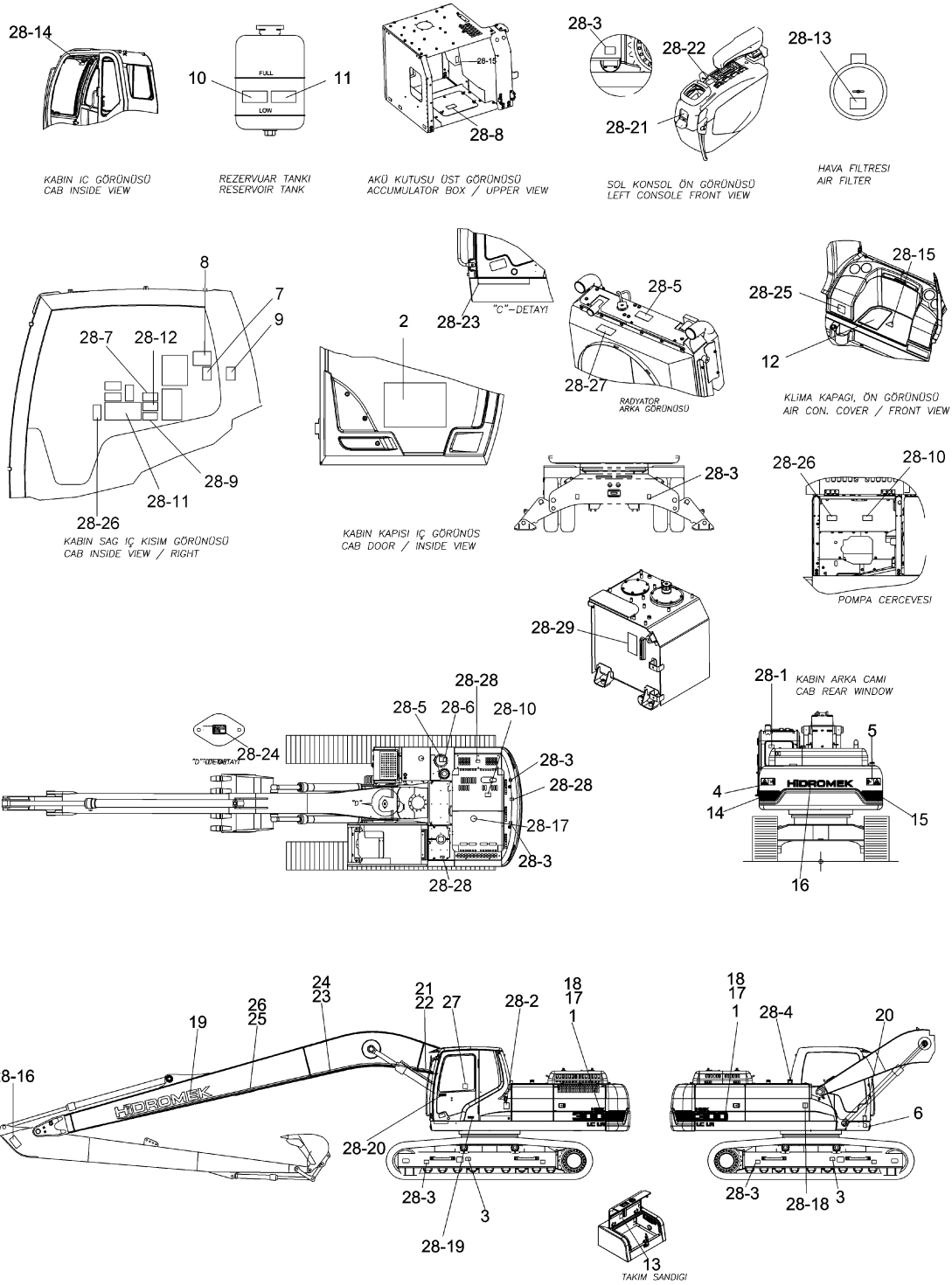
43  
"C"-DETAYI



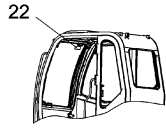
## ETİKETLER (LR, PORTEKİZCE) DECALS (LR, PORTUGUESE)



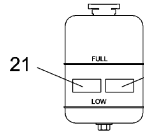
## ETİKETLER (LR, PORTEKİZCE) DECALS (LR, PORTUGUESE)



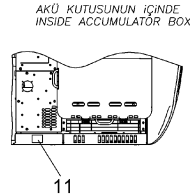
## ETİKETLER (LR, FRANSIYZCA) DECALS (LR, FRENCH)



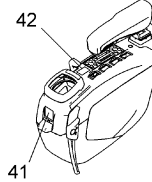
22  
KABİN İÇ GÖRÜNÜŞÜ  
CAB INSIDE VIEW



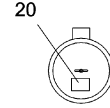
21  
REZERVUAR TANKI  
RESERVOIR TANK



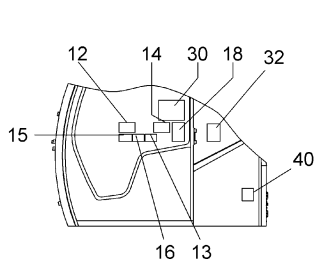
AKÜ KUTUSUNUN İÇİNDE  
INSIDE ACCUMULATOR BOX  
11  
AKÜ KUTUSU ÜST GÖRÜNÜŞÜ  
ACCUMULATOR BOX / UPPER VIEW



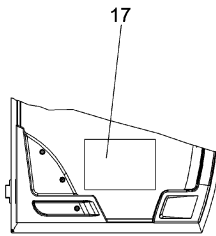
42  
41  
SOL KONSOL ÖN GÖRÜNÜŞÜ  
LEFT CONSOLE FRONT VIEW



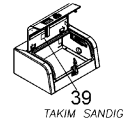
20  
HAVA FİLTRESİ  
AIR FILTER



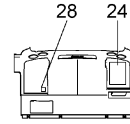
12 14 30 18 32  
15  
16 13  
KABİN SAĞ İÇ KISIM GÖRÜNÜŞÜ  
CAB INSIDE VIEW / RIGHT



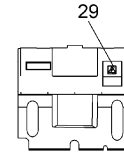
17  
KABİN KAPISI İÇ GÖRÜNÜŞÜ  
CAB DOOR / INSIDE VIEW



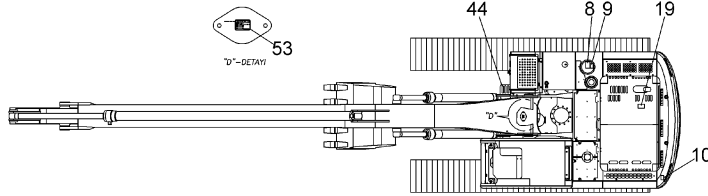
39  
TAKIM SANDIĞI



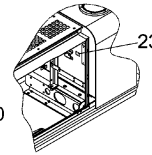
28 24  
KLİMA KAPAGI, ÖN GÖRÜNÜŞÜ  
AIR CON. COVER / FRONT VIEW



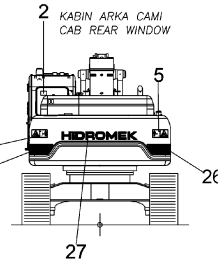
29  
KLİMA KAPAGI, ÖN GÖRÜNÜŞÜ  
AIR CON. COVER / FRONT VIEW



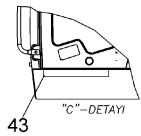
53  
"D"-DETAYI



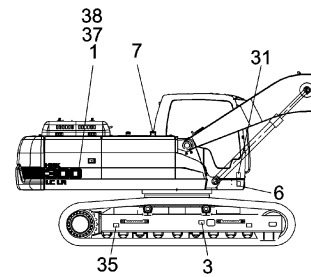
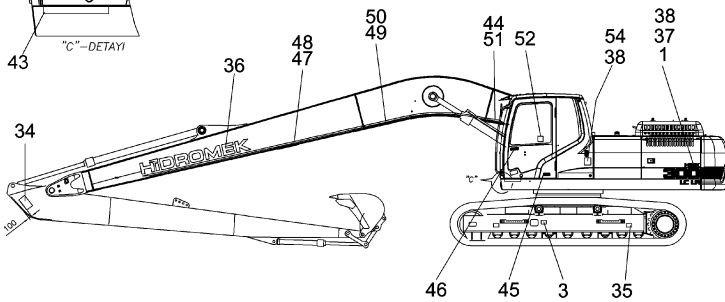
23  
HİDROLİK DEPO  
HYDRAULIC TANK



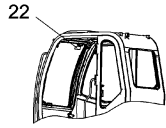
2  
KABİN ARKA CAMI  
CAB REAR WINDOW



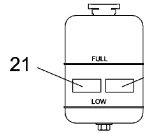
43  
"C"-DETAYI



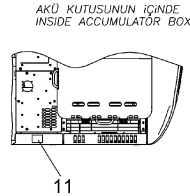
## ETİKETLER (LR, FRANSTZCA) DECALS (LR, FRENCH)



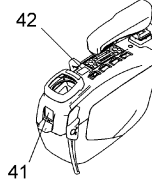
22  
KABIN İÇ GÖRÜNÜŞÜ  
CAB INSIDE VIEW



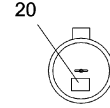
21  
REZERVUAR TANKI  
RESERVOIR TANK



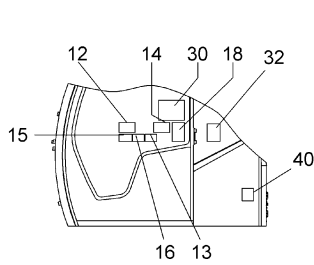
11  
AKÜ KUTUSUNUN İÇİNDE  
INSIDE ACCUMULATOR BOX  
AKÜ KUTUSU ÜST GÖRÜNÜŞÜ  
ACCUMULATOR BOX / UPPER VIEW



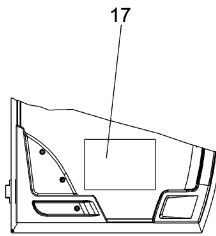
42  
41  
SOL KONSOL ÖN GÖRÜNÜŞÜ  
LEFT CONSOLE FRONT VIEW



20  
HAVA FİLTRESİ  
AIR FILTER



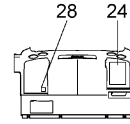
12 14 30 18 32  
15  
16 13  
KABIN SAĞ İÇ KISIM GÖRÜNÜŞÜ  
CAB INSIDE VIEW / RIGHT



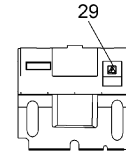
17  
KABIN KAPISI İÇ GÖRÜNÜŞÜ  
CAB DOOR / INSIDE VIEW



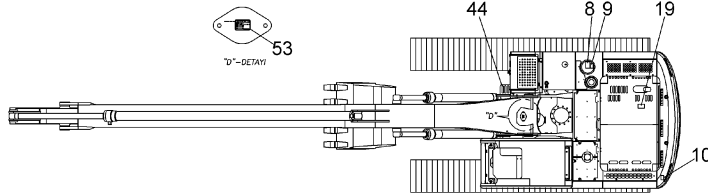
39  
TAKIM SANDIĞI



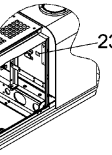
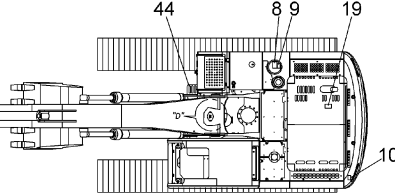
28 24  
KLİMA KAPAGI, ÖN GÖRÜNÜŞÜ  
AIR CON. COVER / FRONT VIEW



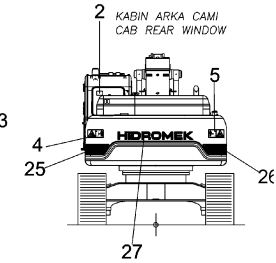
29  
KLİMA KAPAGI, ÖN GÖRÜNÜŞÜ  
AIR CON. COVER / FRONT VIEW



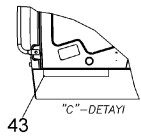
53  
"D"-DETAYI



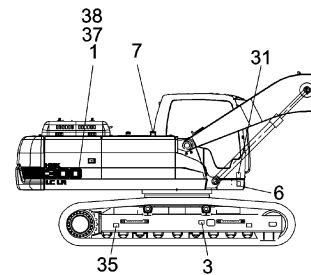
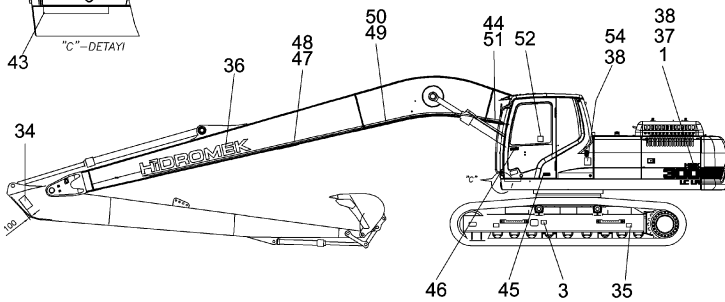
23  
HİDROLİK DEPO  
HYDRAULIC TANK



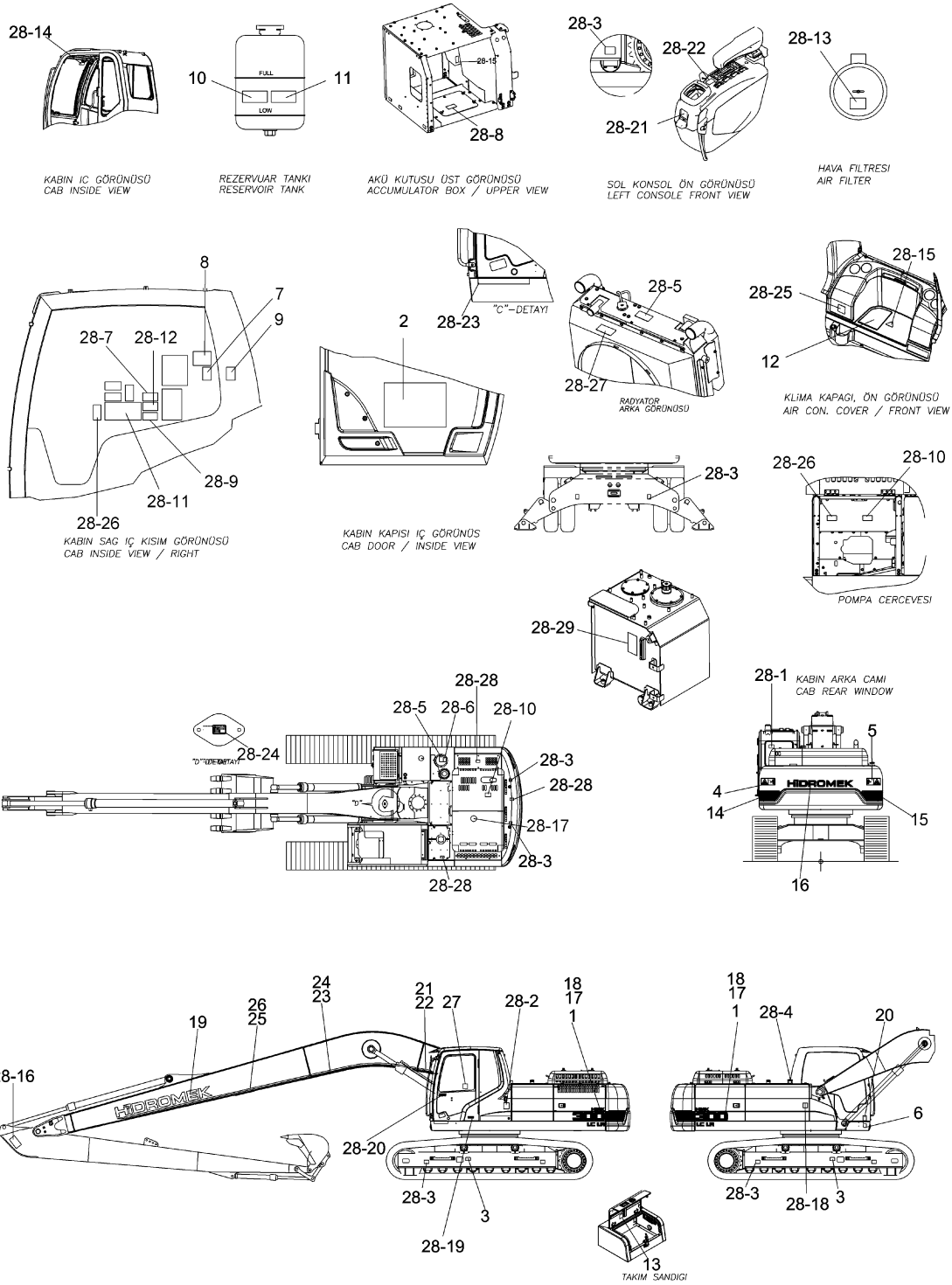
2  
KABIN ARKA CAMI  
CAB REAR WINDOW



43  
"C"-DETAYI

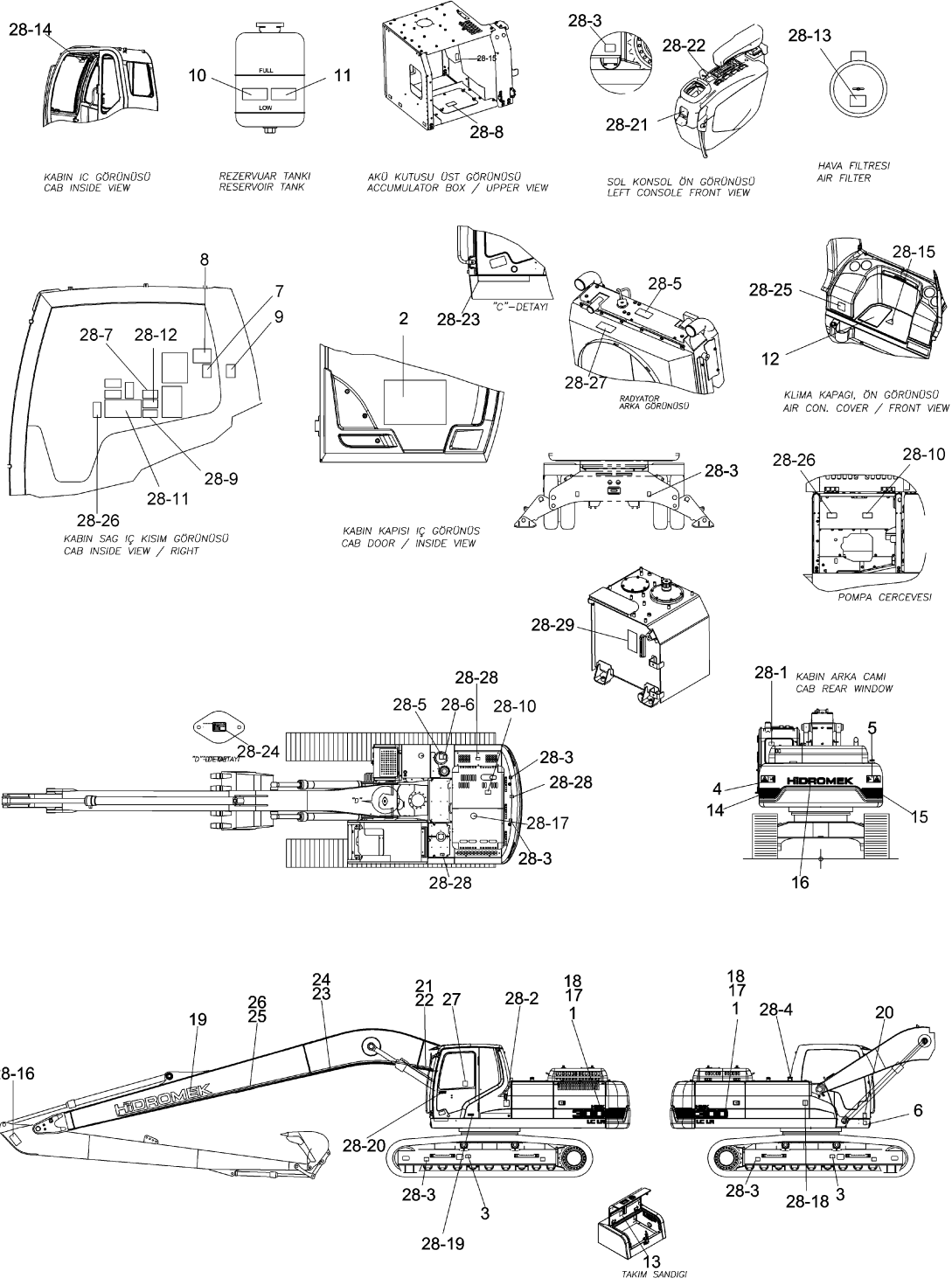


## ETİKETLER (LR, FRANZIZCA) DECALS (LR, FRENCH)

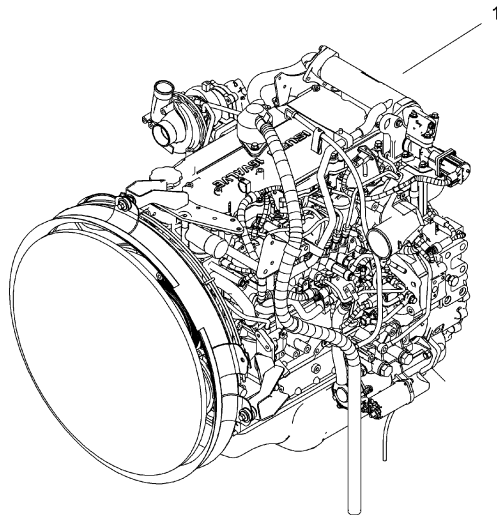




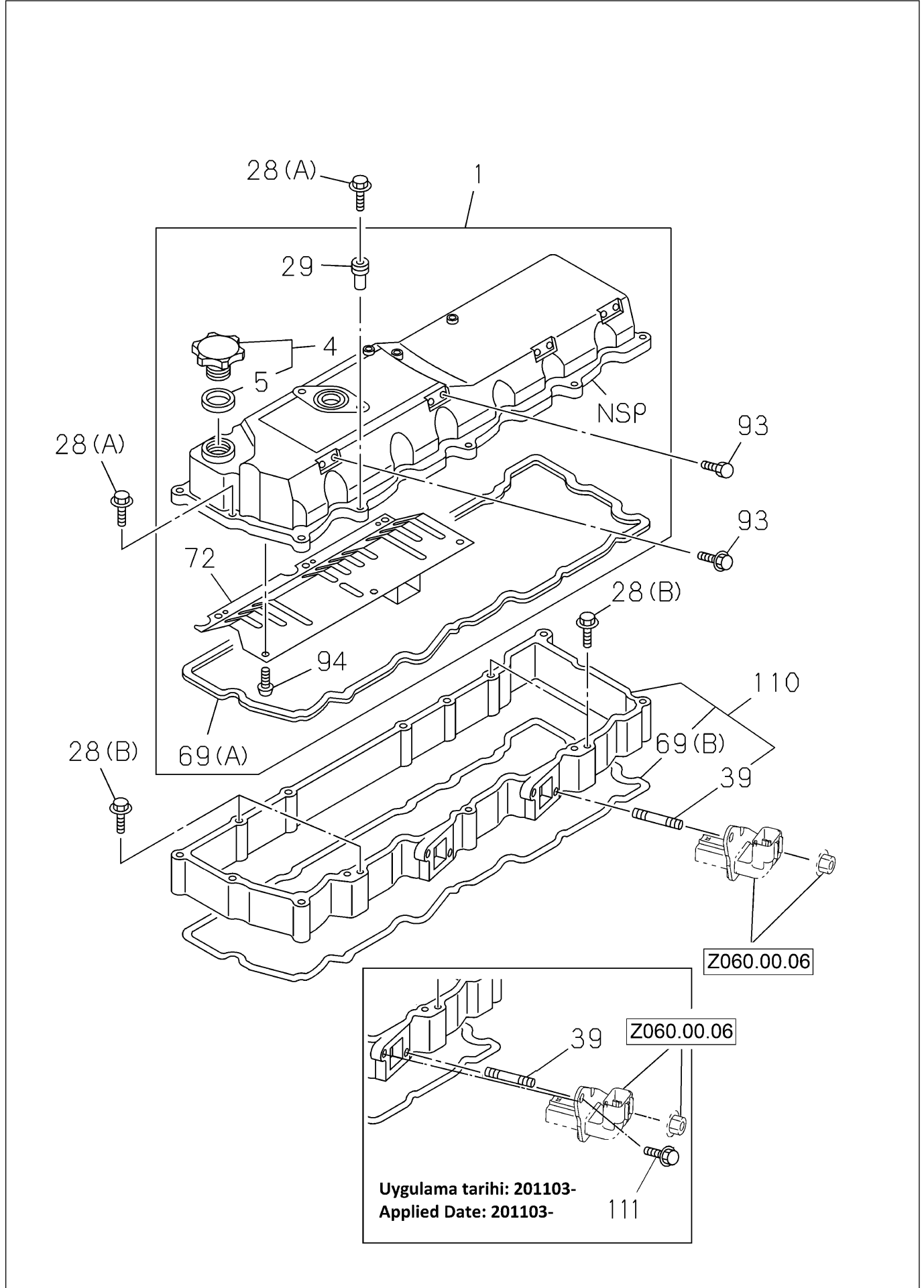
## ETİKETLER (LR, FRANSTZCA) DECALS (LR, FRENCH)



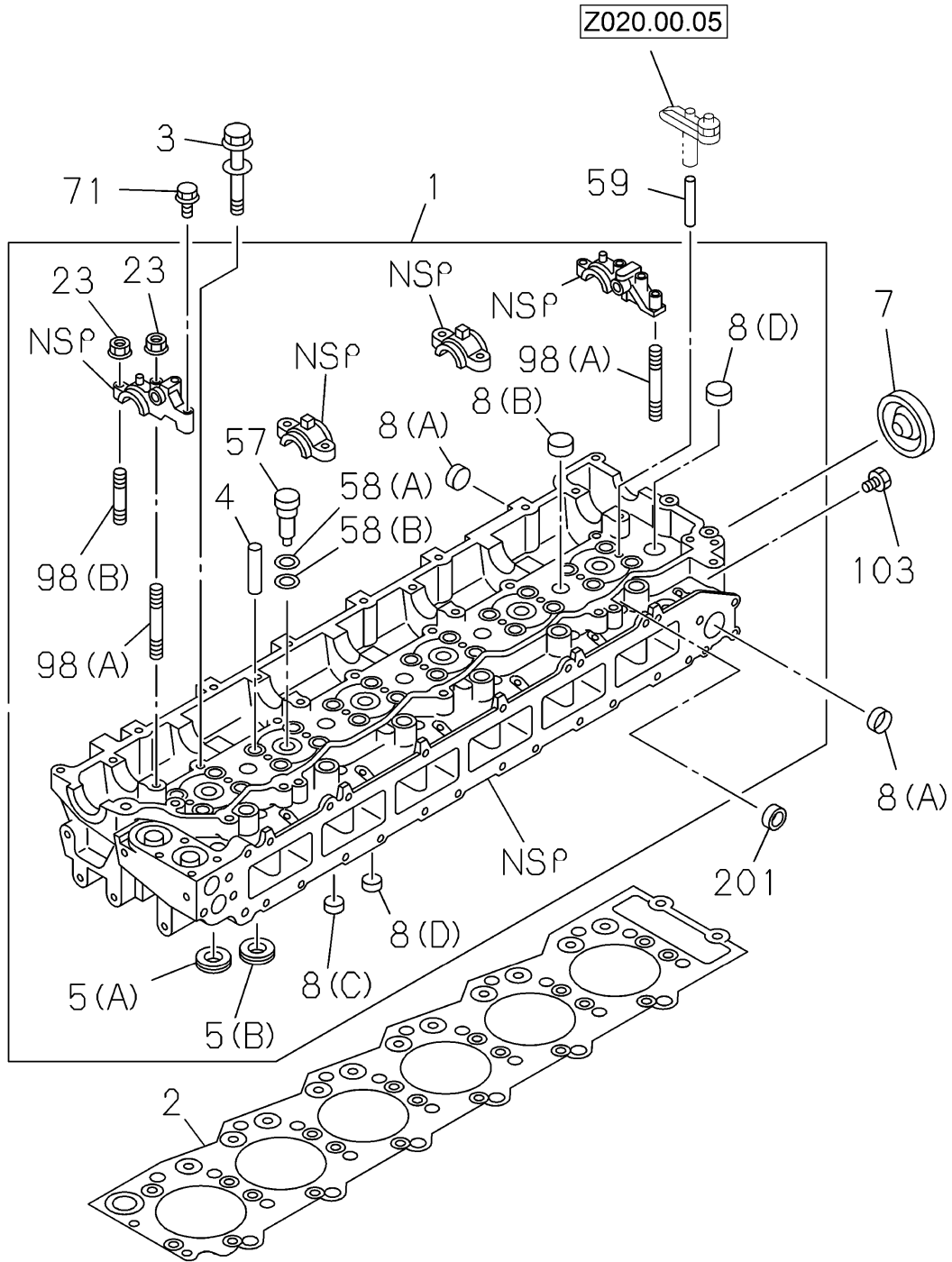
**MOTOR  
ENGINE**



## KÜLBÜTÖR KAPAĞI ROCKER COVER



**SİLİNDİR KAPAĞI 1**  
**CYLINDER HEAD 1**

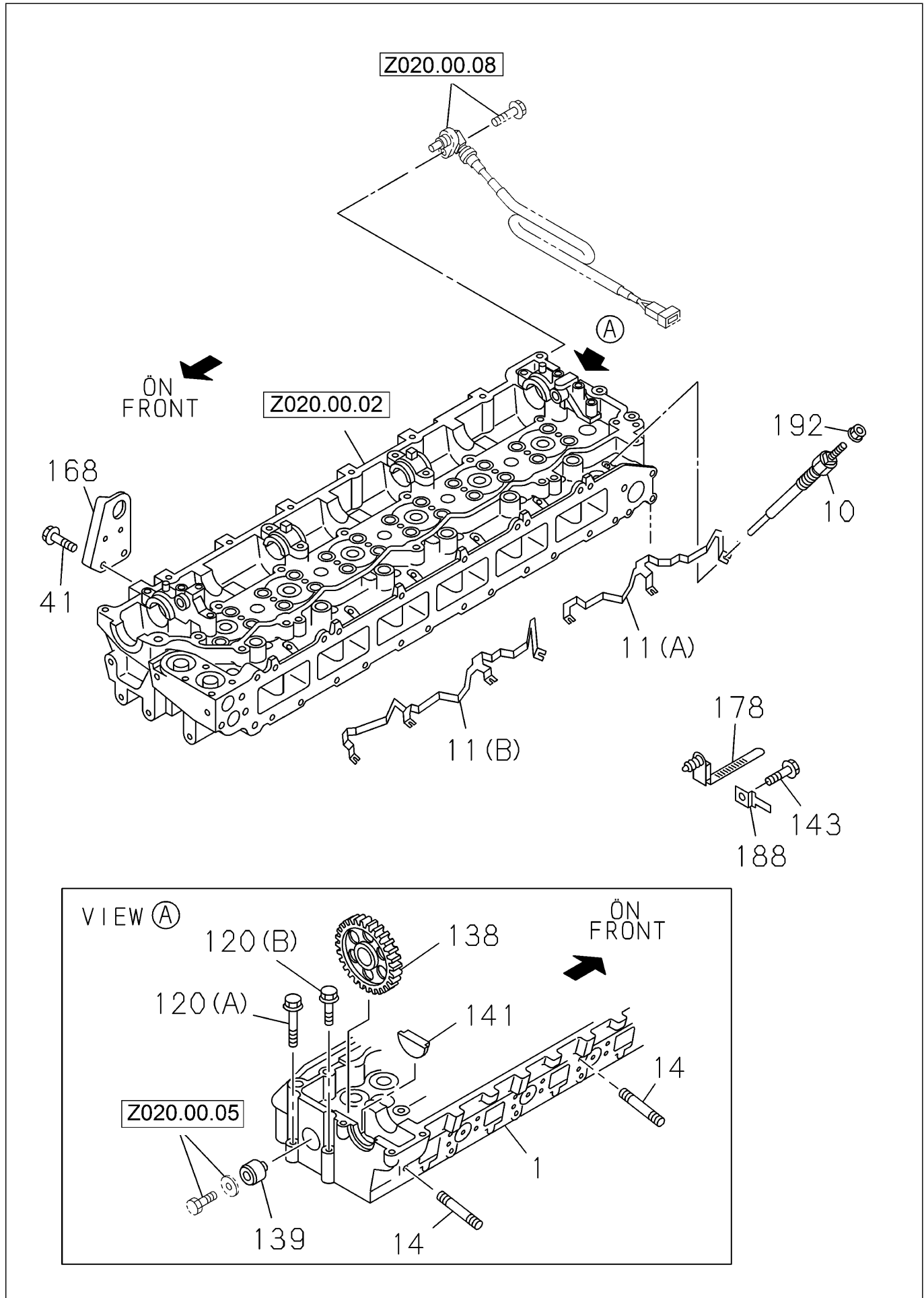


## SİLİNDİR KAPAĞI 1 CYLINDER HEAD 1

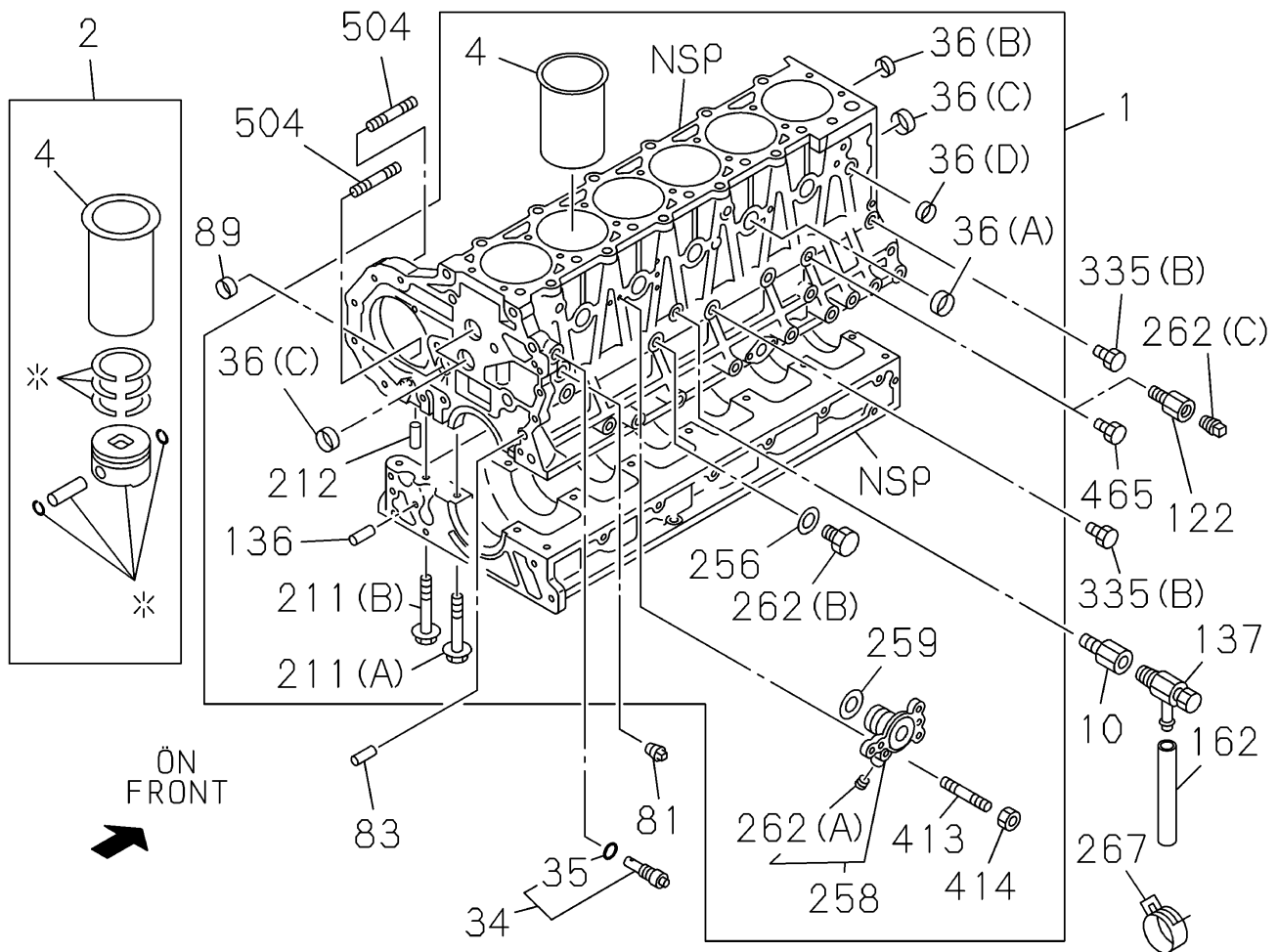
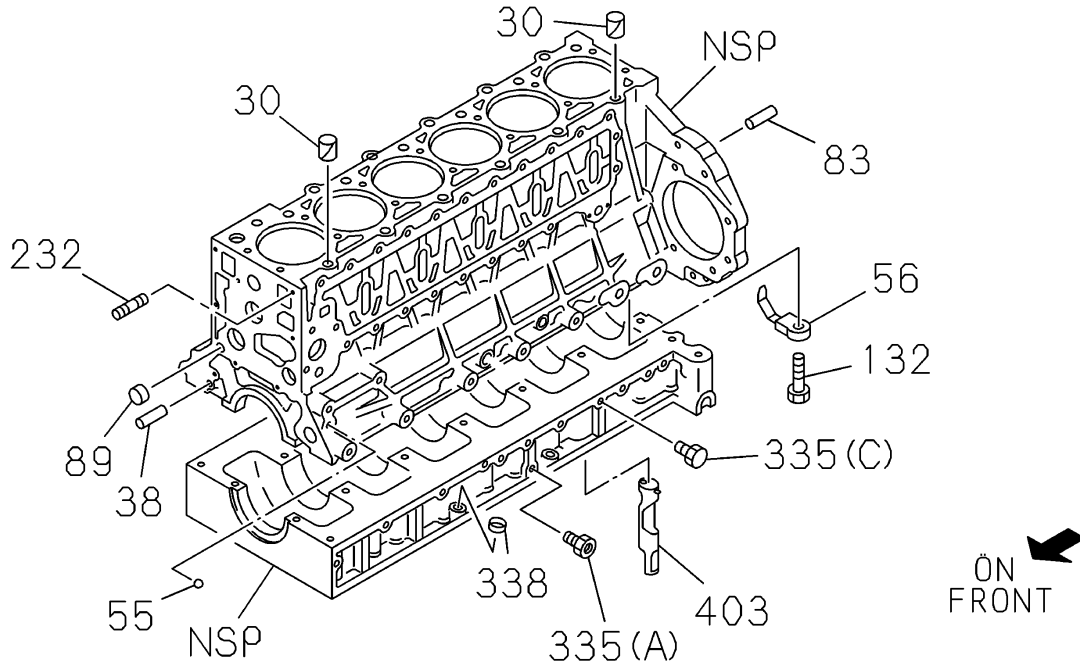
No	Parça No	Parça Adı	Adet	S.K.	Bas.S.N	Bit.S.N	Y.K.	Not
No	Part no	Description	Qty	SC	S/N from	S/N to	ICA	Note
1	H259002069	SİLİNDİR KAPAĞI KOMPLESİ	1					200802-201004
1	H259002069A	SİLİNDİR KAPAĞI KOMPLESİ	1				A	201005-201012
1	H259002069B	SİLİNDİR KAPAĞI KOMPLESİ	1				C	201101-201305
1	H259002069C	SİLİNDİR KAPAĞI KOMPLESİ	1					201306-
2	H259002047	CONTA	1					200802-201002
2	H259002047A	CONTA	1				A	201003-
3	H259002070	CIVATA	26					200802-200910
3	H349004173	CIVATA	26				C	200911-
4	H349004111A	KILAVUZ, SUPAP	24					
5A	H349004073A	YÜKSÜK	12					
5B	H349004136	YÜKSÜK	12					
7	H349004250	KAPAK	1					
8A	H259002071	SIZDIRMAZLIK ELEMANI	6					
8A	H259002071	SIZDIRMAZLIK ELEMANI	1					
8B	H349004175	SIZDIRMAZLIK ELEMANI	6					
8C	H349004177	SIZDIRMAZLIK ELEMANI	7					
8D	H349004176	SIZDIRMAZLIK ELEMANI	11					
23	H349004179	SOMUN	8					
57	H349004123	KOVAN, ENJEKTÖR TUTUCU	6					
58A	H349004184	CONTA	6					
58B	H349004128	CONTA	6					
59	H349004114A	KILAVUZ, KÖPRÜ	12					
71	H349004185	CIVATA	2					
98A	H349004181	SAPLAMA	2					
98B	H349004180	SAPLAMA	6					
103	H349004182	TAPA	1					
201	H349004187	CONTA	6					

Motor uygulama tarihi  
Engine application date changed

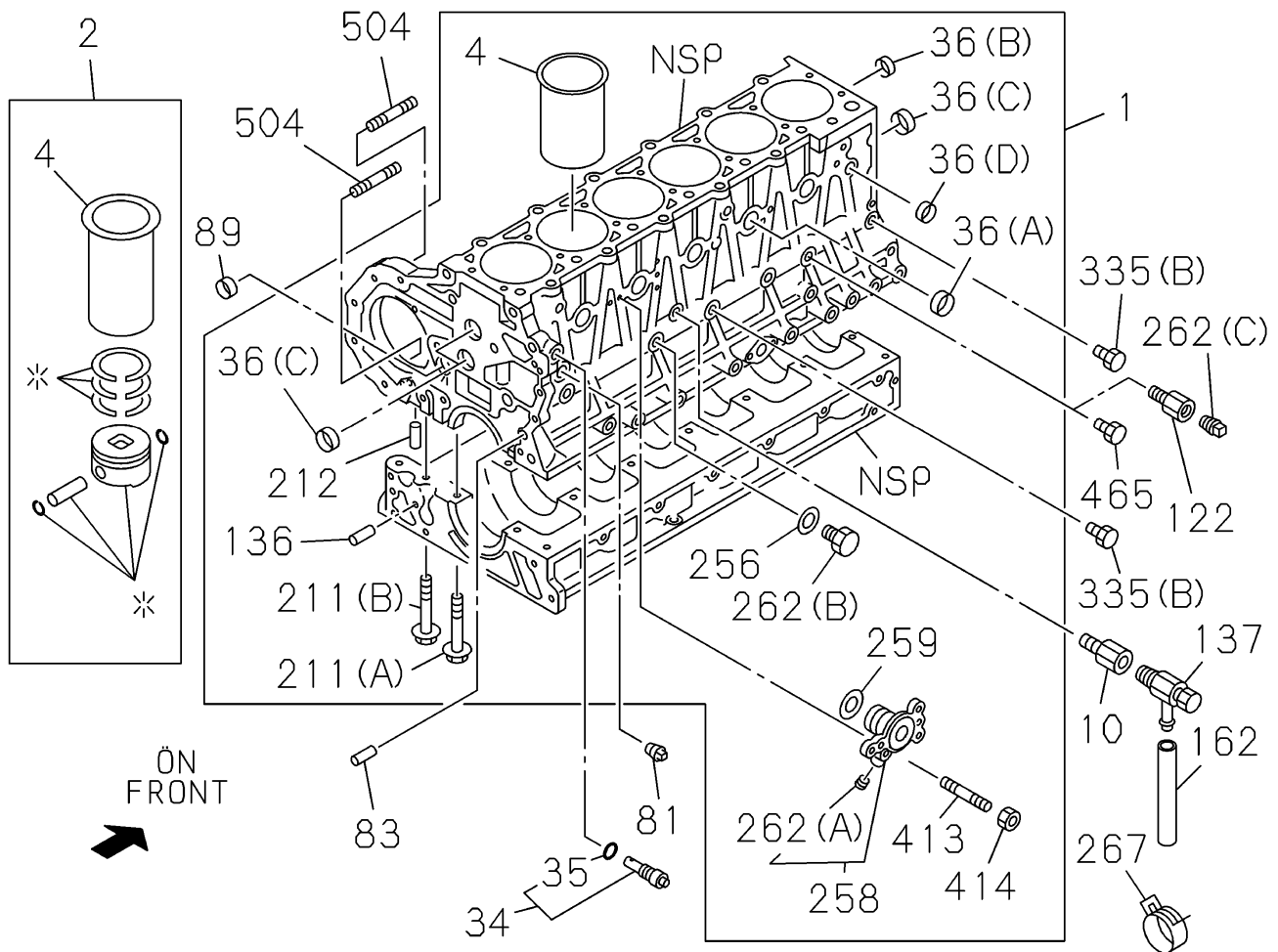
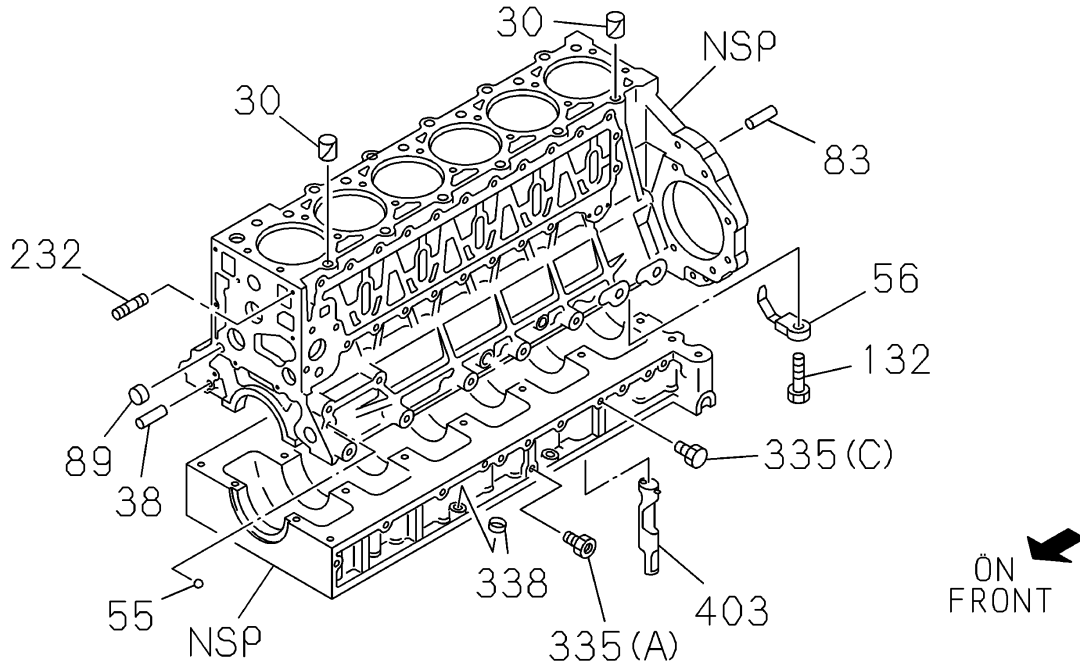
**SİLİNDİR KAPAĞI 2**  
**CYLINDER HEAD 2**



**SİLİNDİR BLOĞU  
CYLINDER BLOCK**

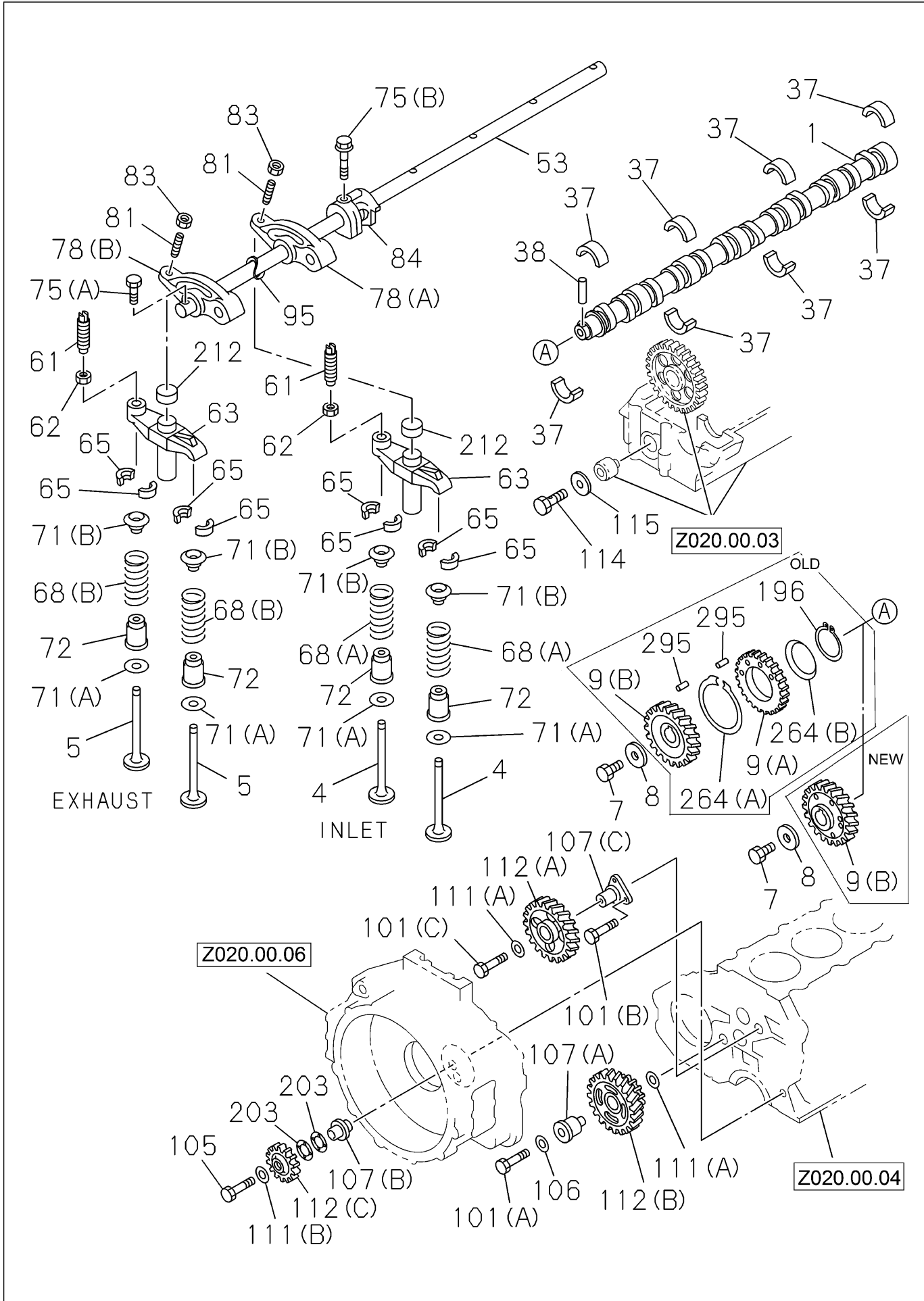


**SİLİNDİR BLOĞU  
CYLINDER BLOCK**

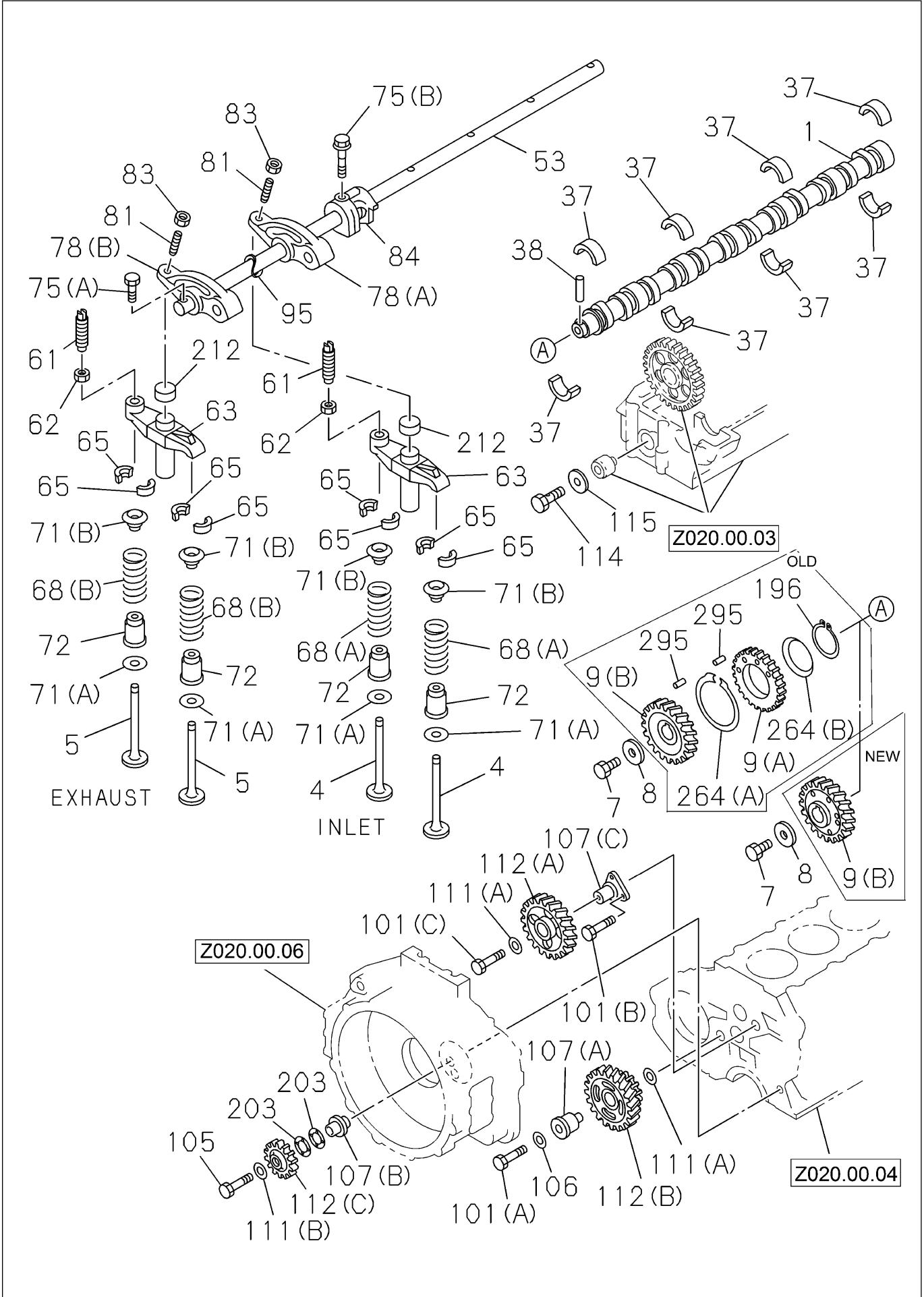




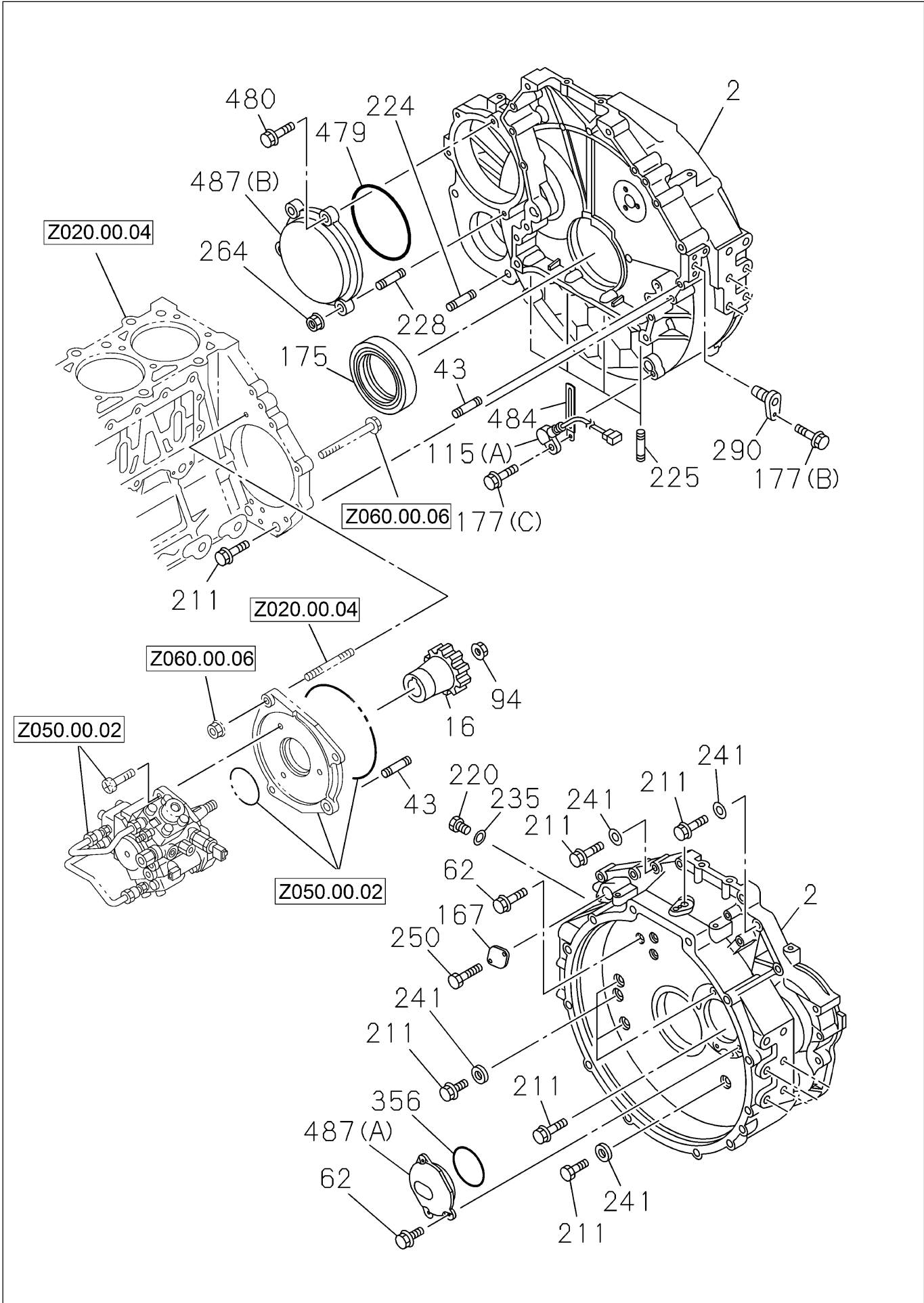
**KAM MİLİ VE SÜBAPLAR  
CAM SHAFT & VALVE**



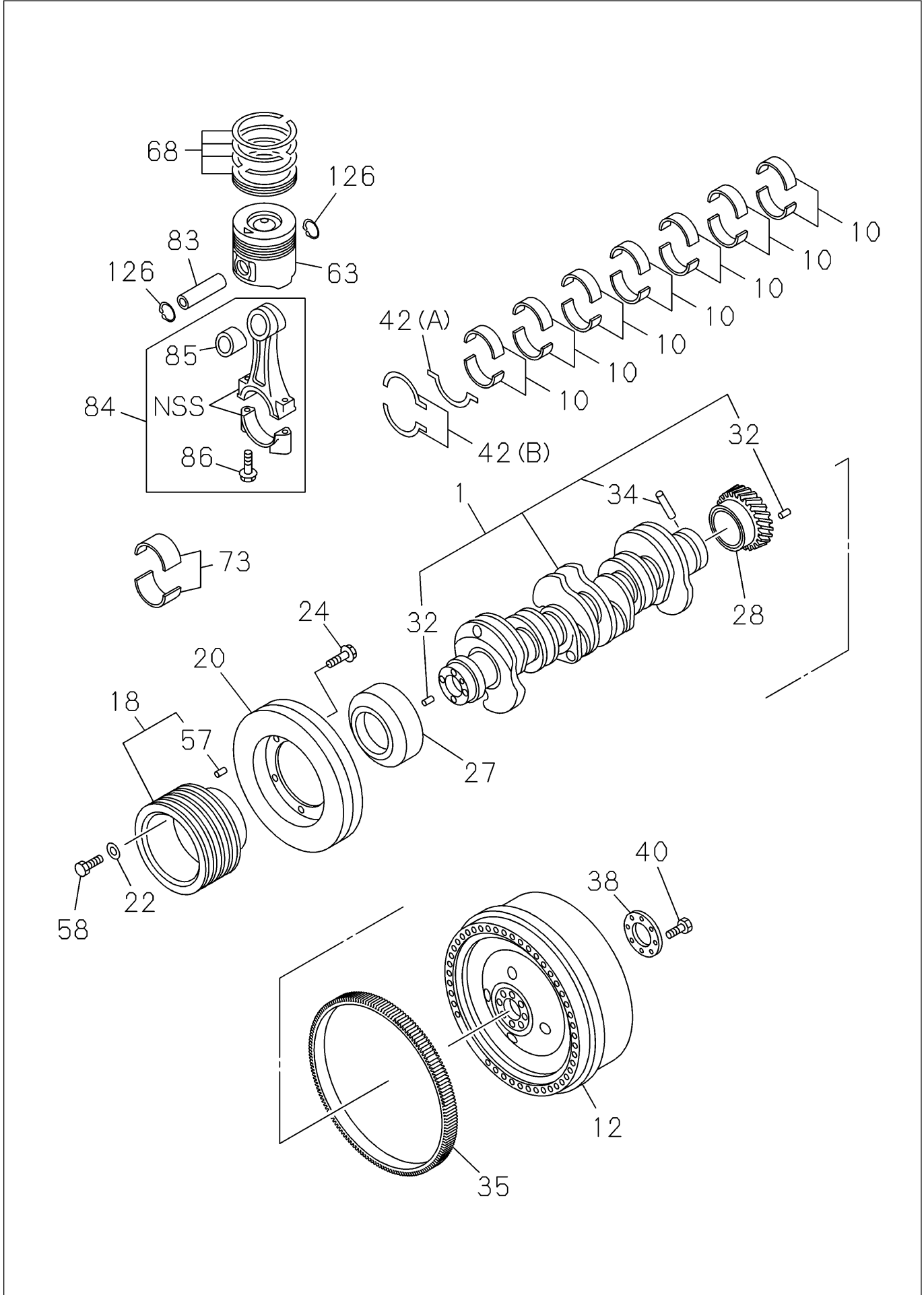
### KAM MİLİ VE SÜBAPLAR CAM SHAFT & VALVE



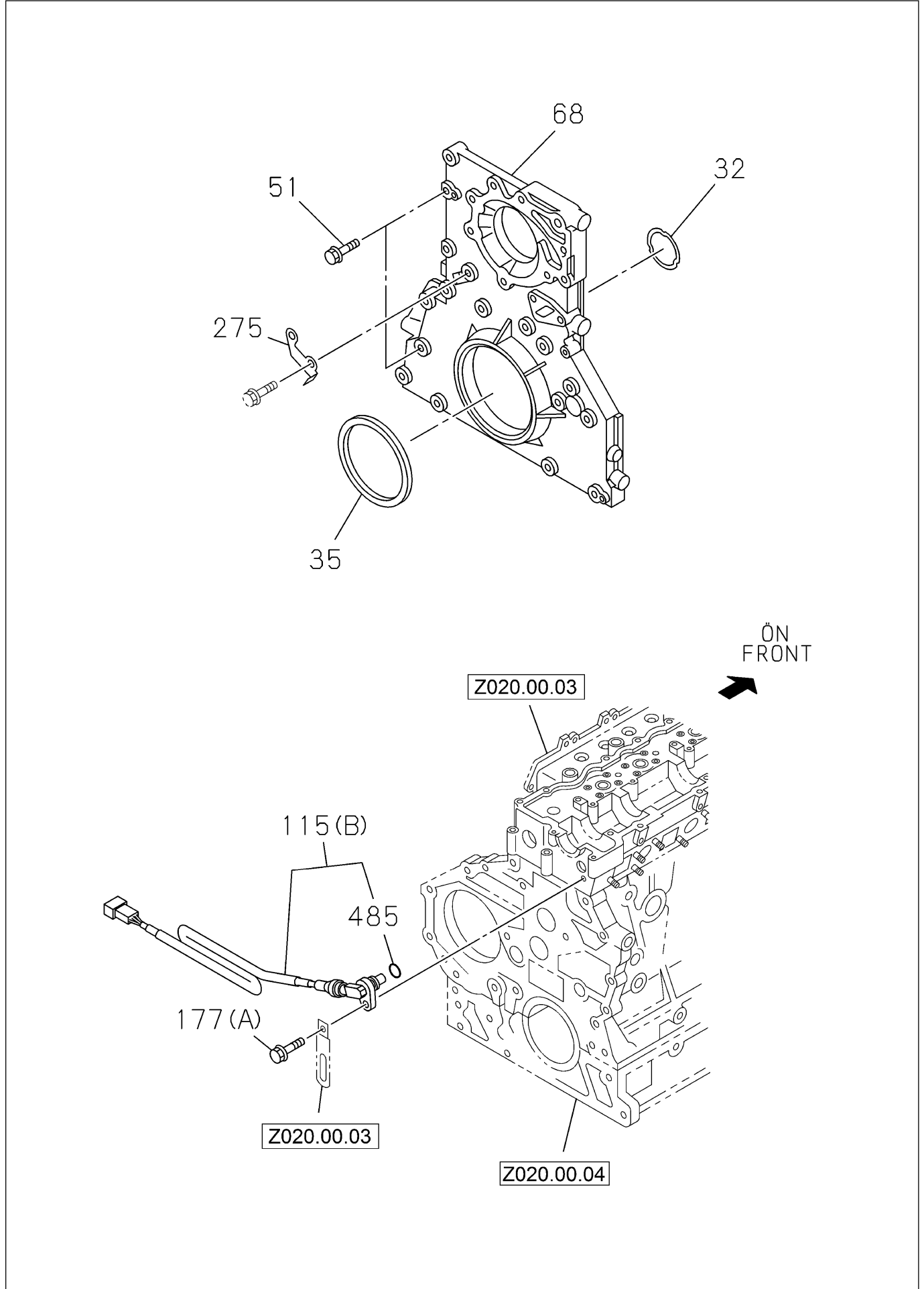
**ZAMANLAMA DİŞLİSİ VE VOLAN MUHAFAZASI  
TIMING GEAR CASE & FLYWHEEL HOUSING**



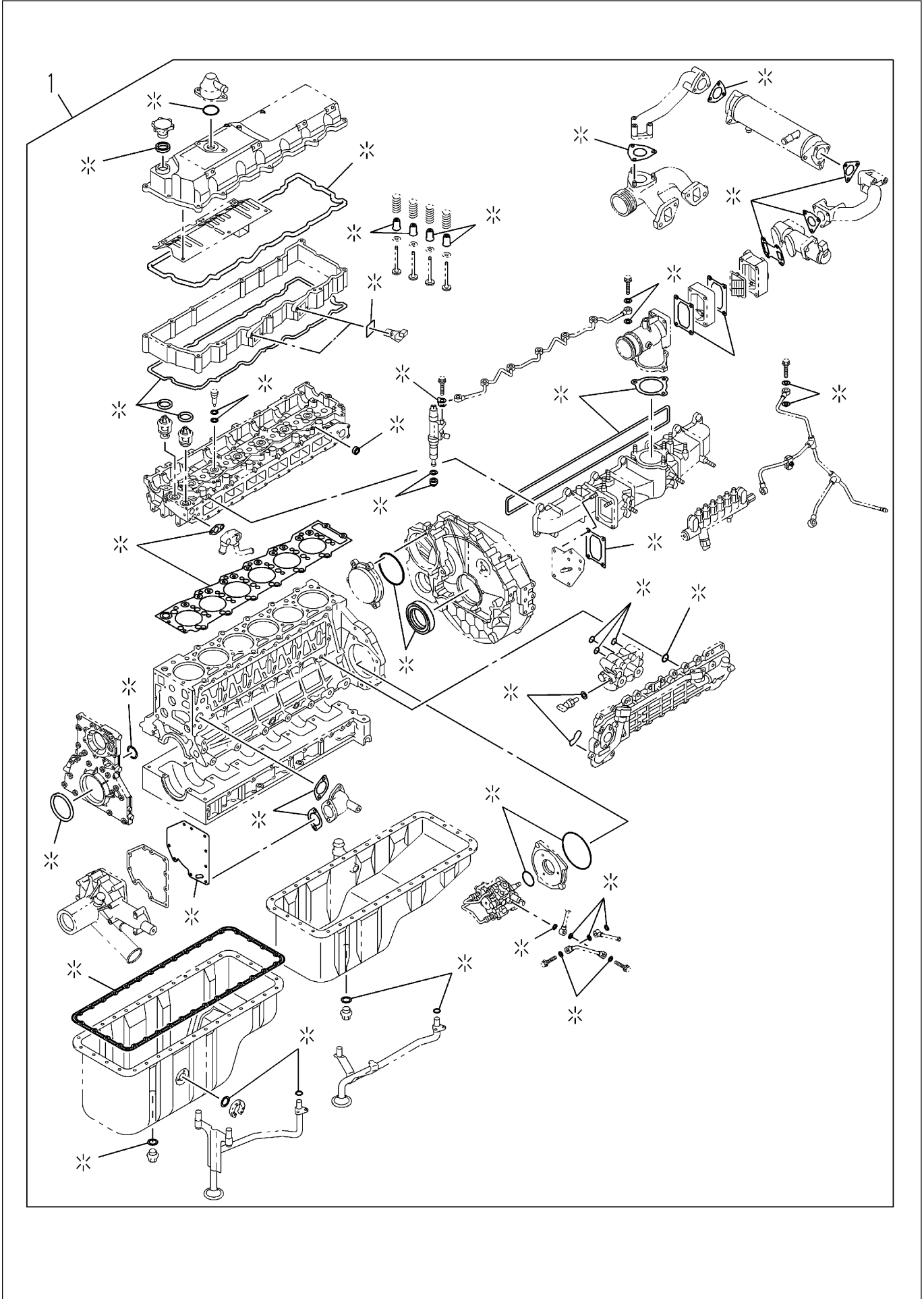
### KRANK MİLİ, PİSTON VE VOLAN CRANKSHAFT, PISTON & FLYWHEEL



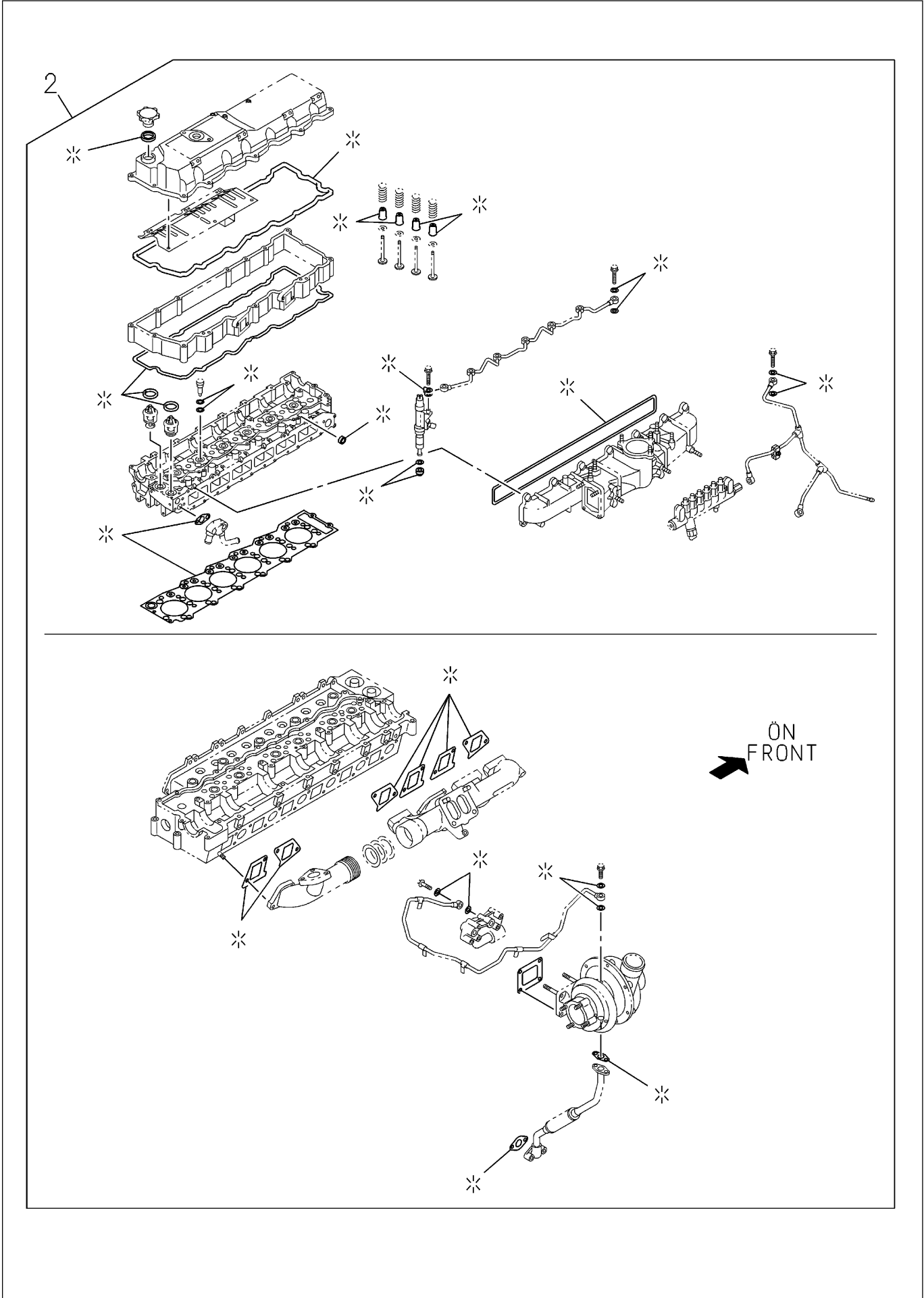
## DIŞLİ KUTUSU KAPAĞI VE KAM MİLİ SENSÖRÜ GEAR CASE COVER & CAMSHAFT SENSOR



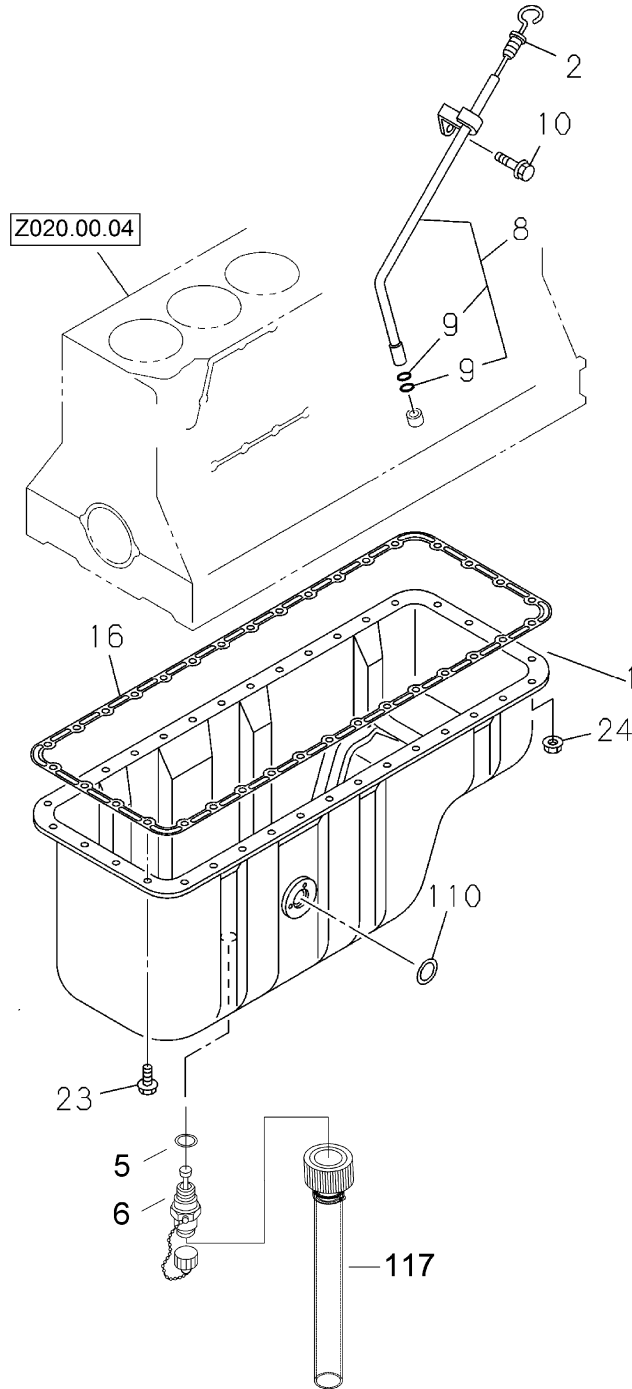
# MOTOR TAMİR TAKIMI ENGINE OVERHAUL GASKET KIT



## SİLİNDİR KAPAĞI TAMİR TAKIMI CYLINDER HEAD GASKET KIT

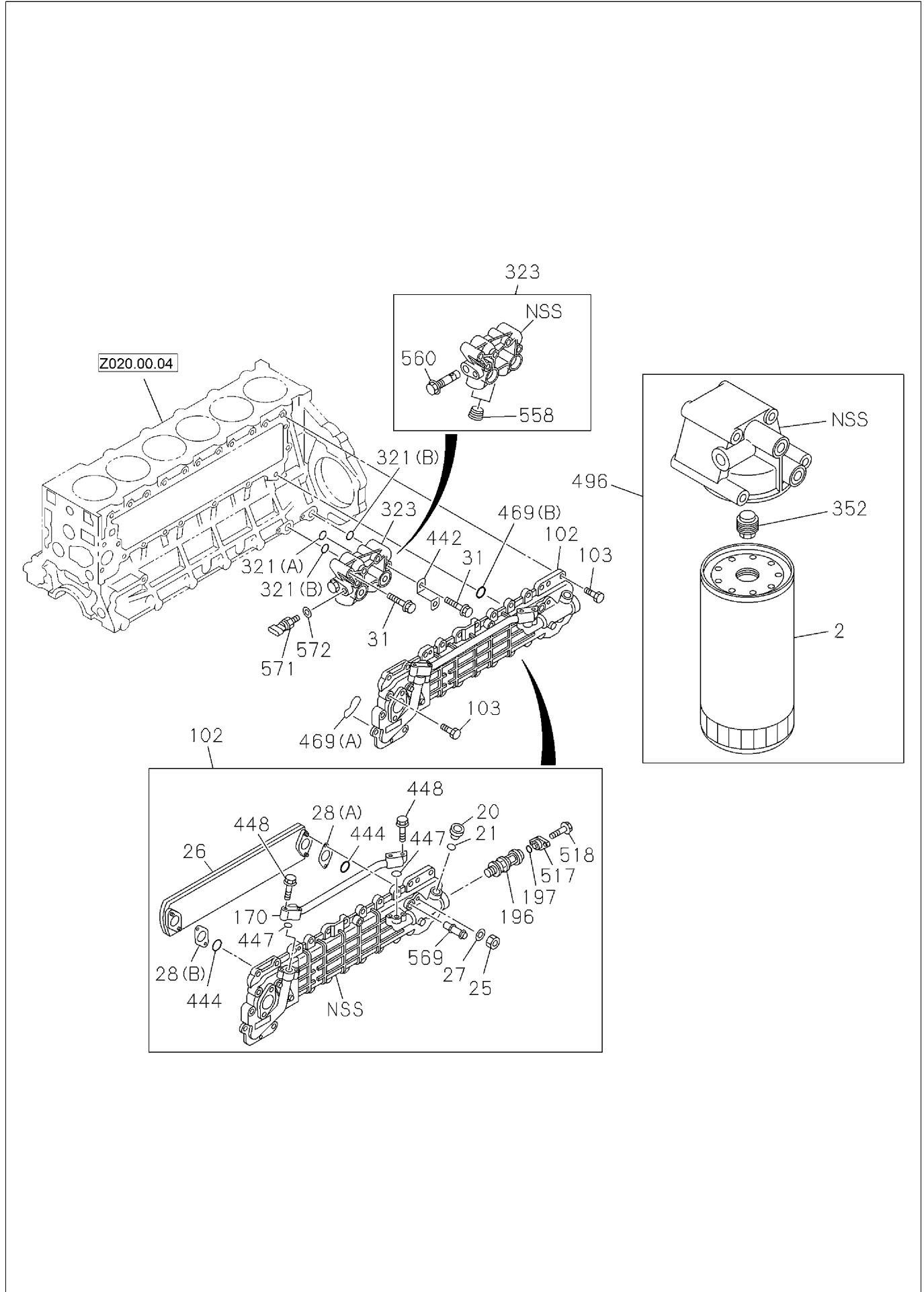


# YAĞ SEVİYE ÇUBUĞU & YAĞ KARTERİ OIL LEVEL GAUGE & OIL PAN

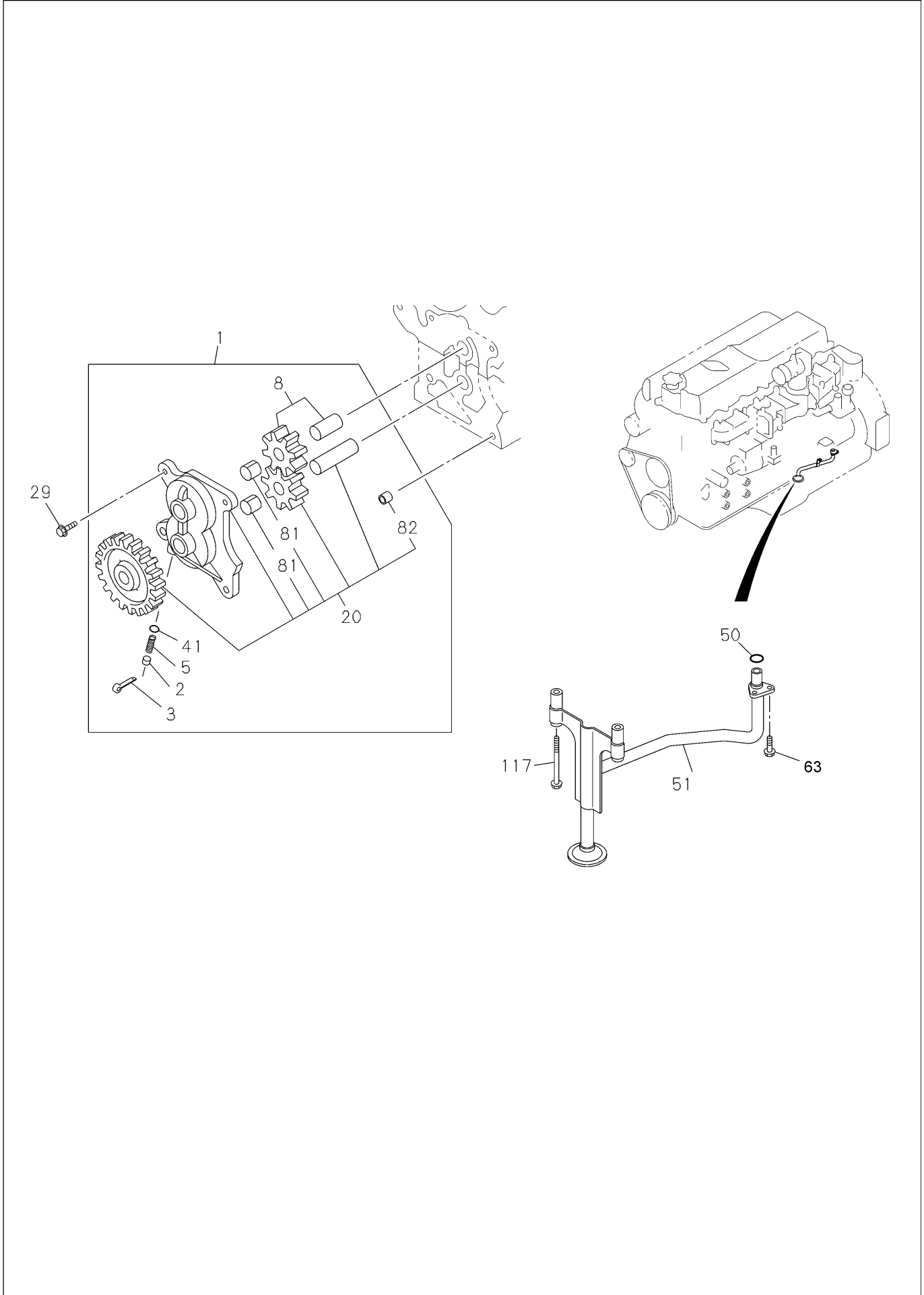




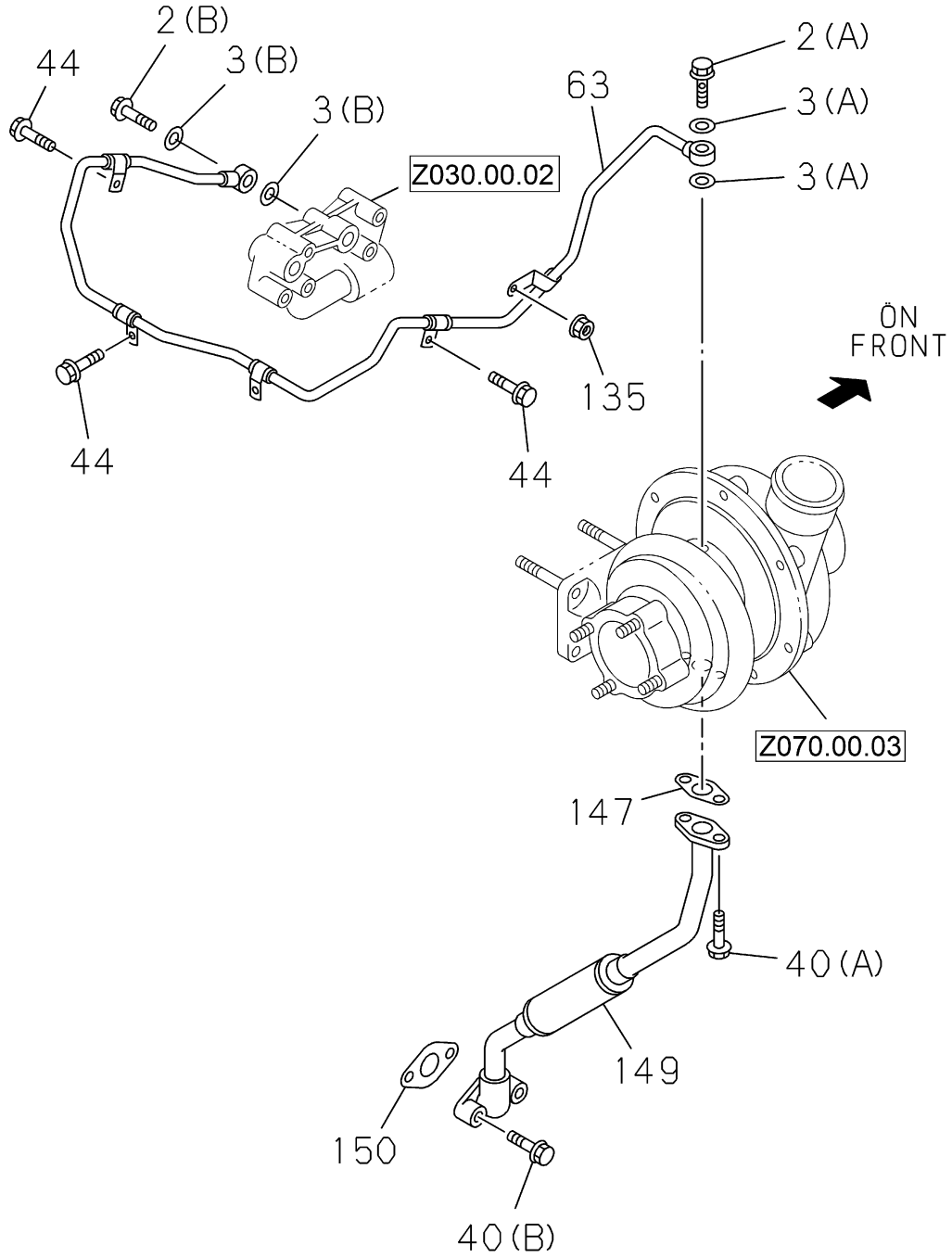
**YAĞ FİLTRESİ VE SOĞUTUCUSU**  
**OIL FILTER & COOLER**

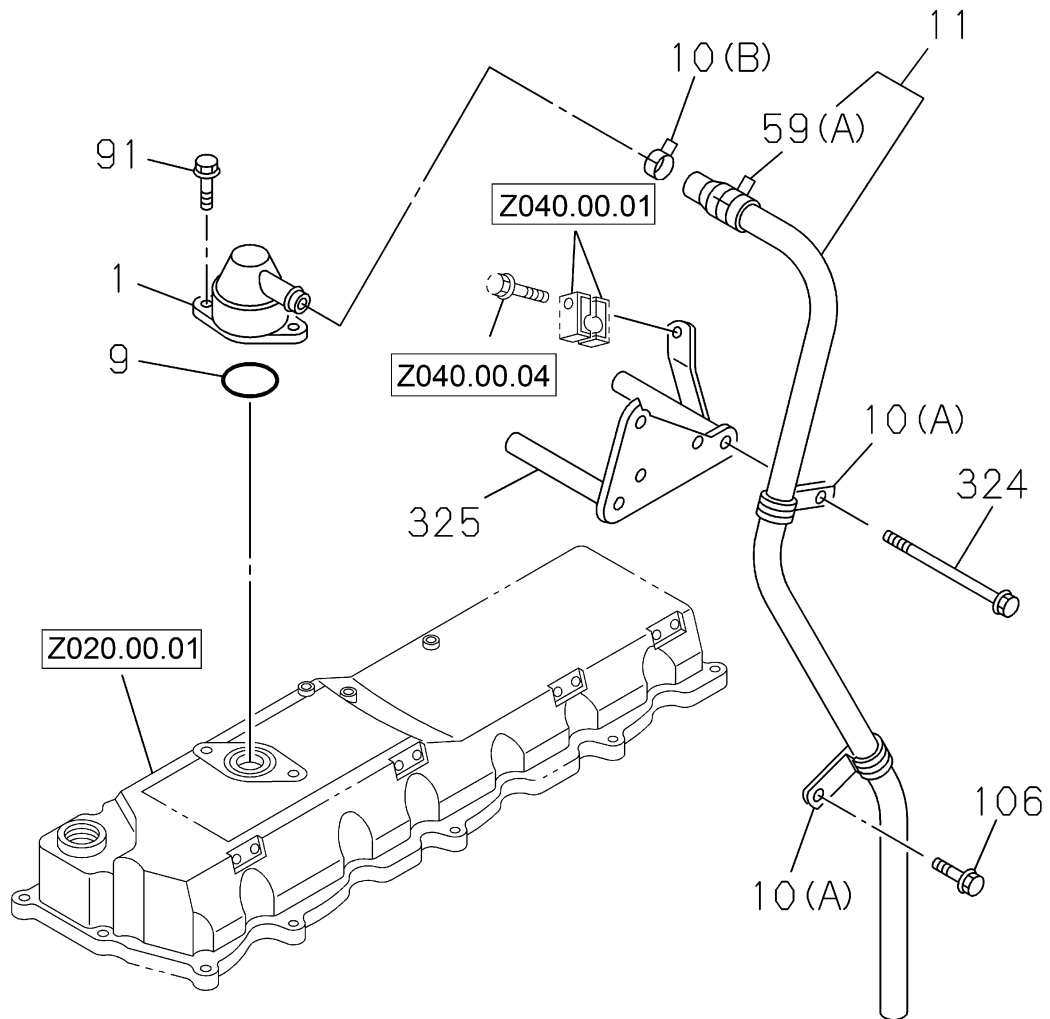


# YAĞ POMPASI VE YAĞ SÜZGEÇİ OIL PUMP & STRAINER

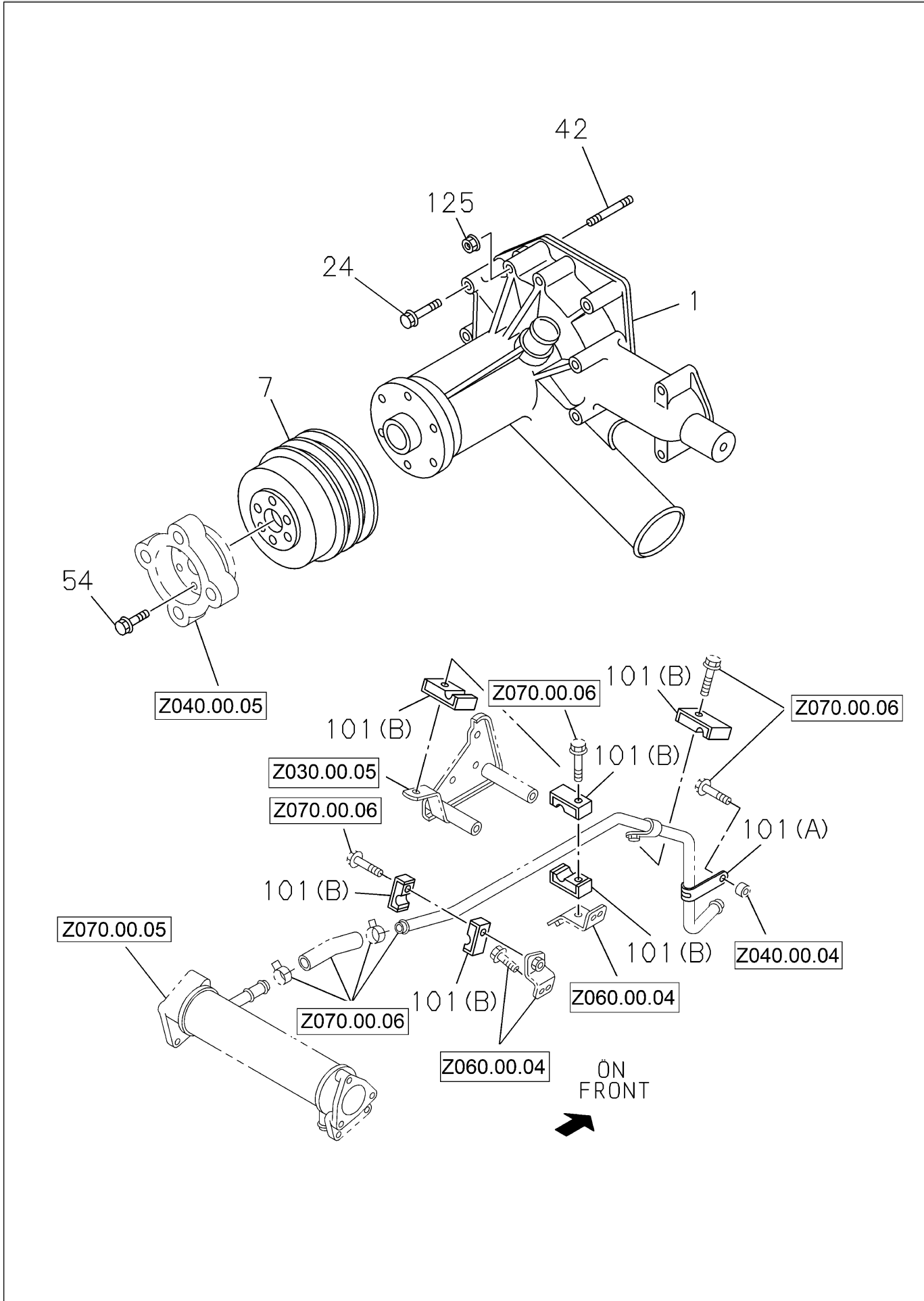


YAĞ VE VAKUM TESİSATI  
OIL & VACUUM PIPING

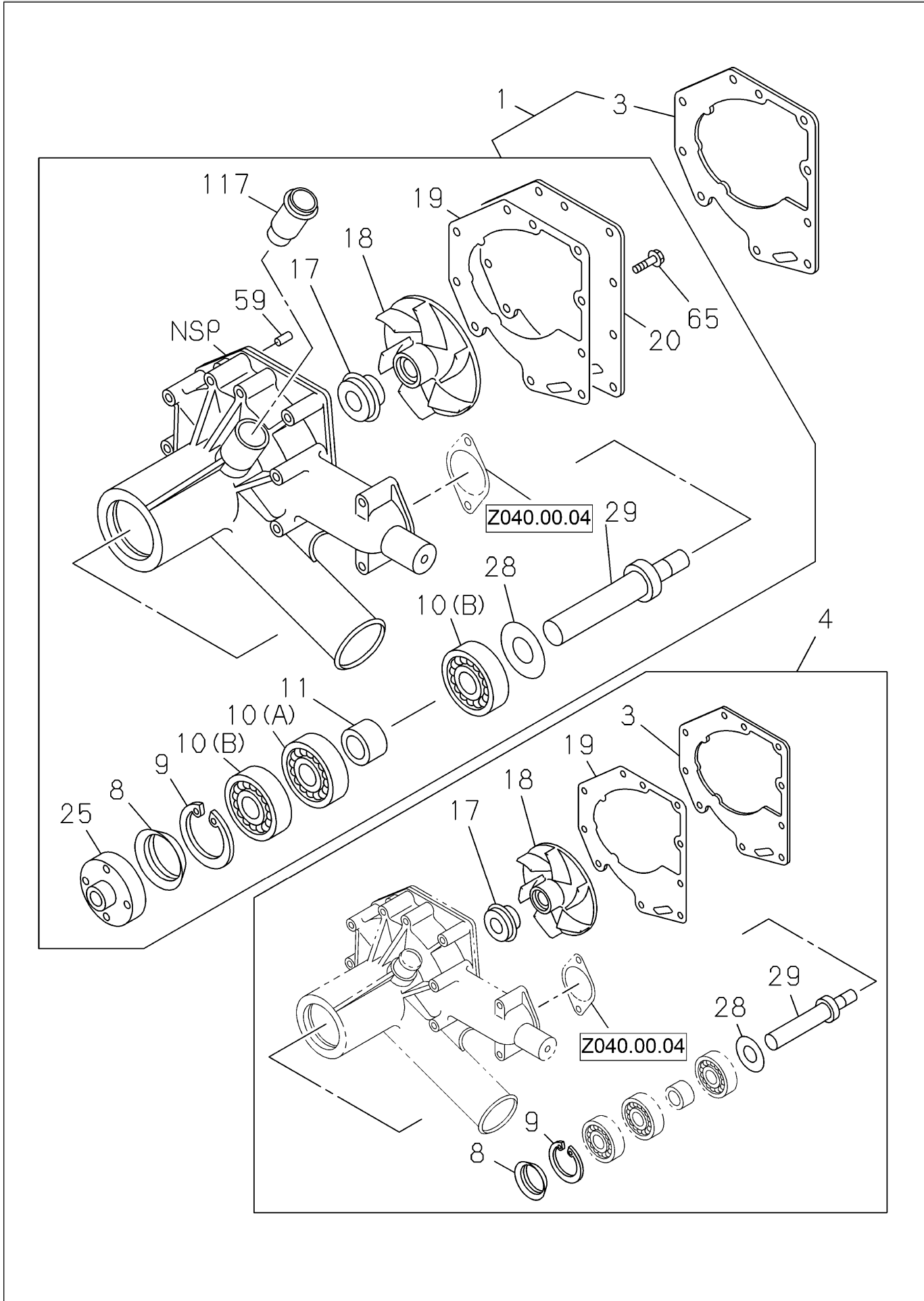


**HAVALANDIRMA SİSTEMİ  
VENTILATION SYSTEM**

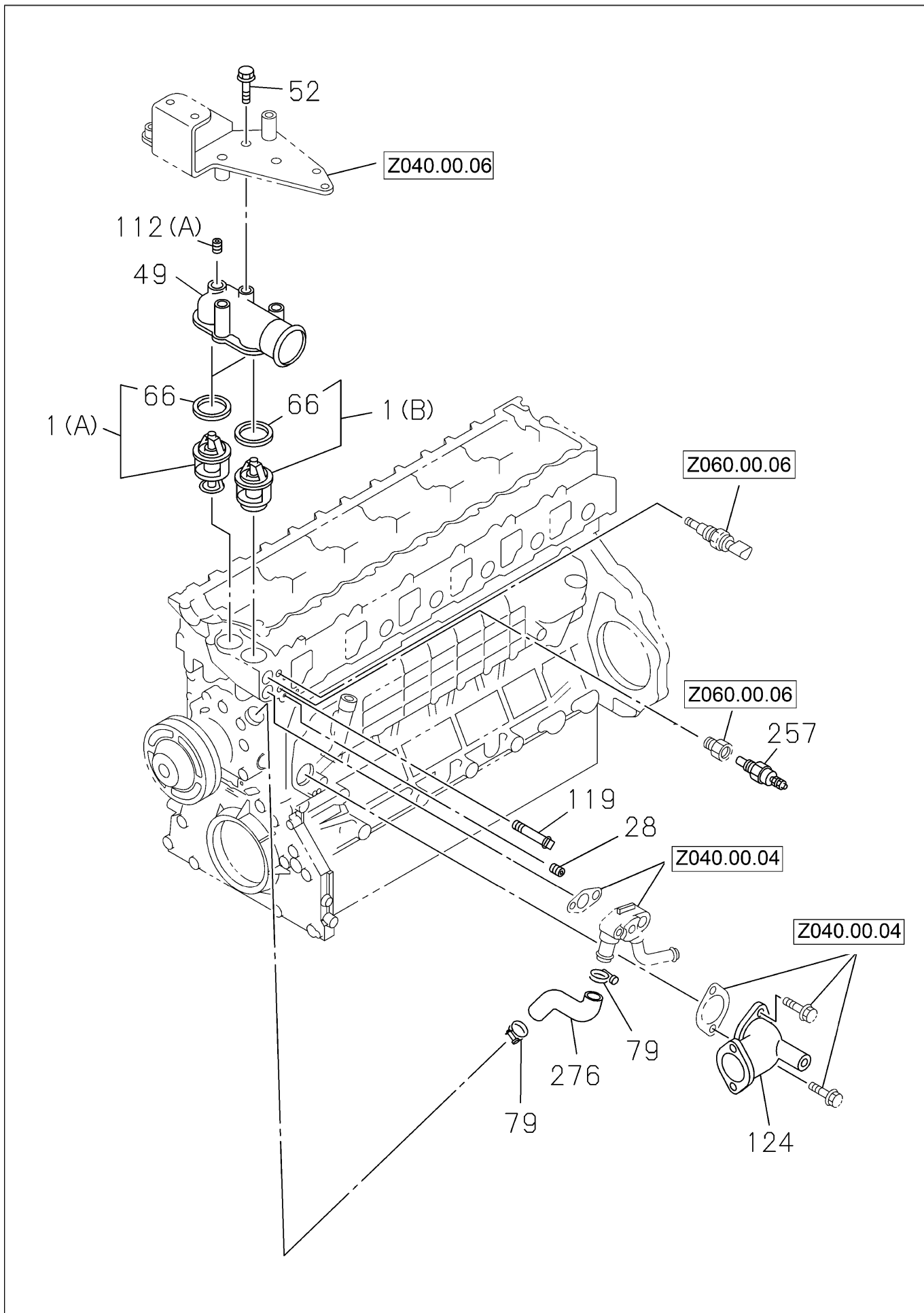
**SU POMPASI VE KOROZYON ÖNLEYİCİ 1**  
**WATER PUMP & CORROSION RESISTOR 1**



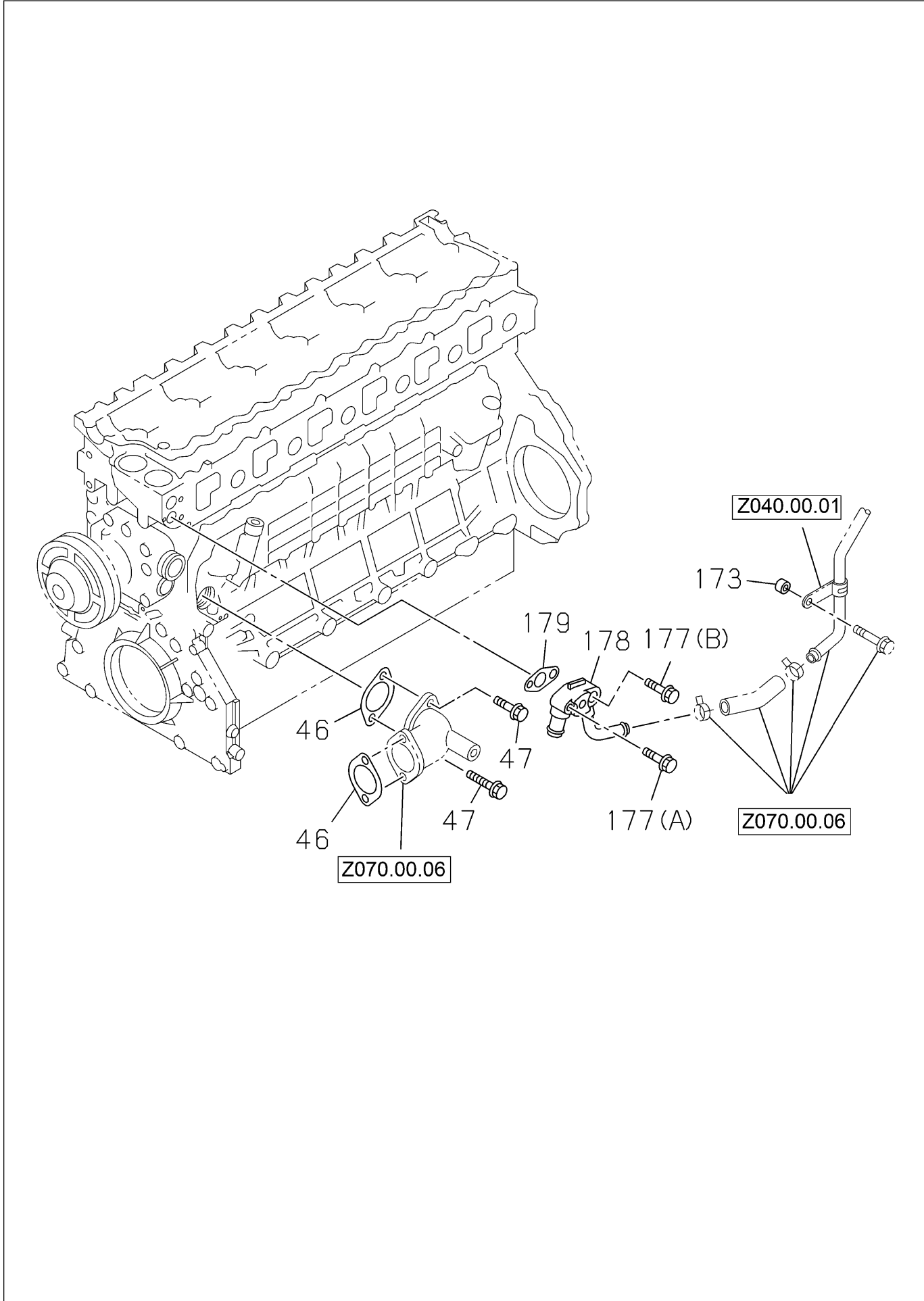
### SU POMPASI VE KOROZYON ÖNLEYİCİ 2 WATER PUMP & CORROSION RESISTOR 2



### TERMOSTAT THERMOSTAT

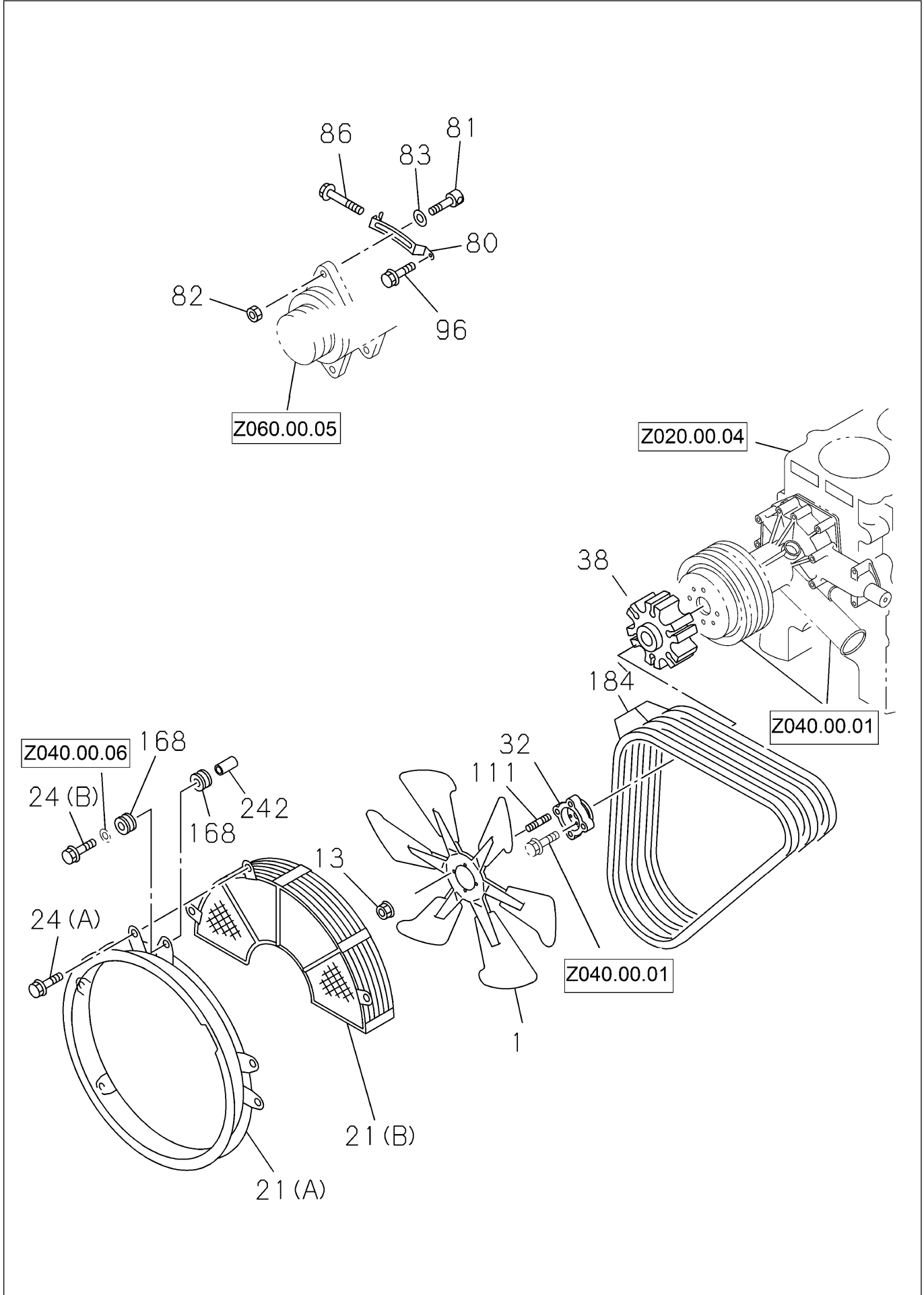


SOĞUTMA SUYU TESİSATI  
COOLING WATER PIPING

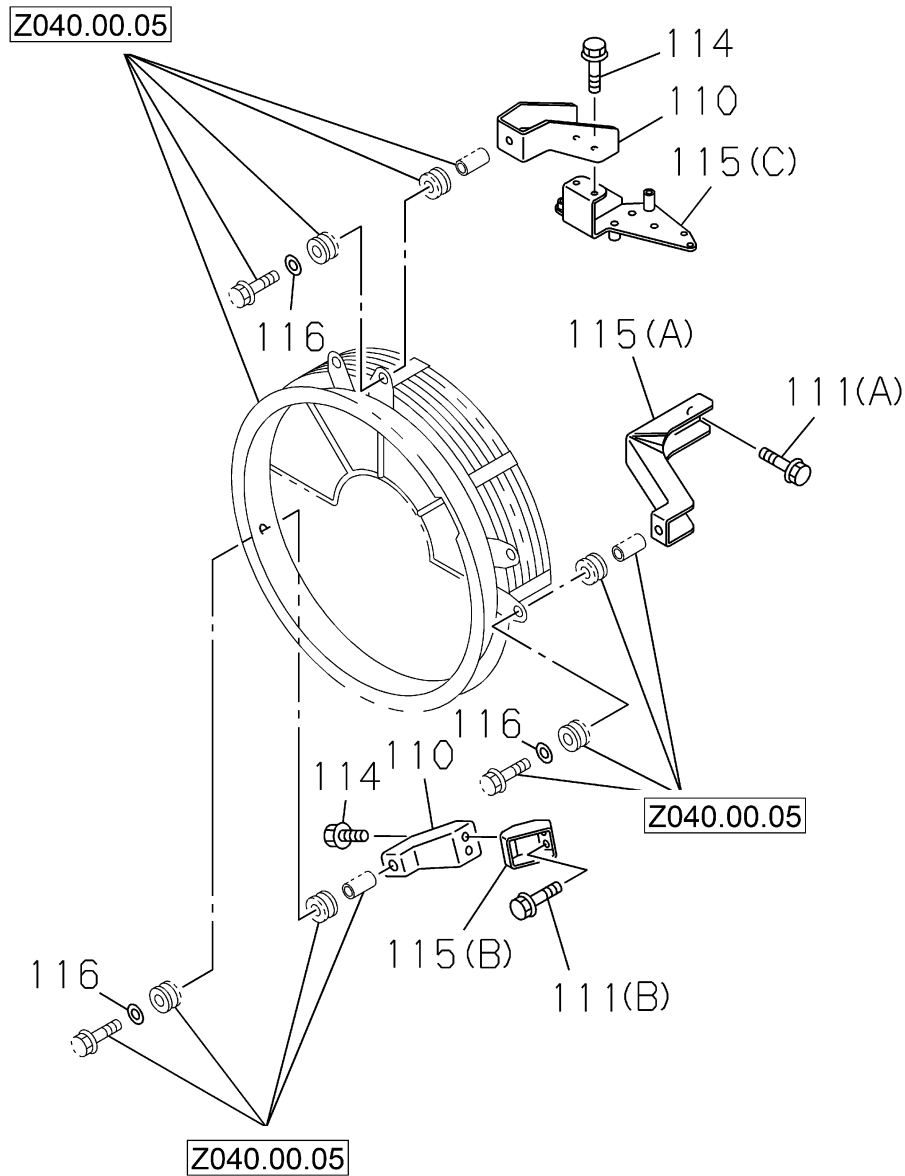




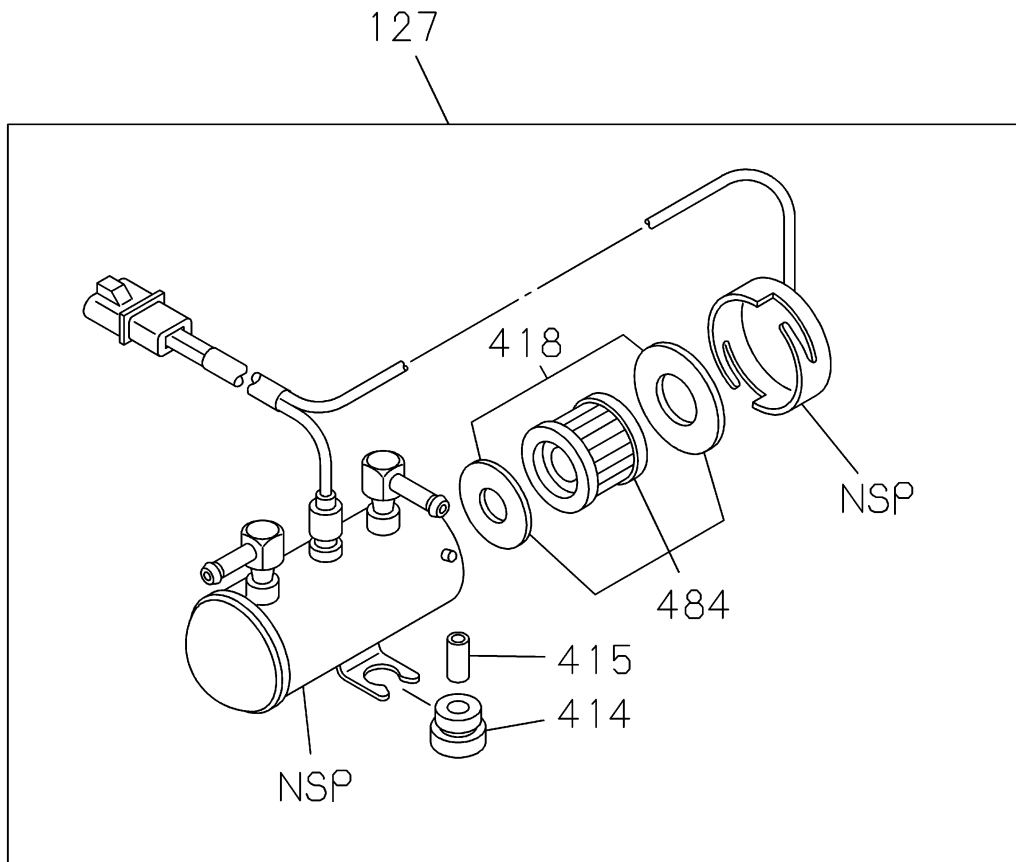
FAN VE FAN KAYIŞI  
FAN & FAN BELT



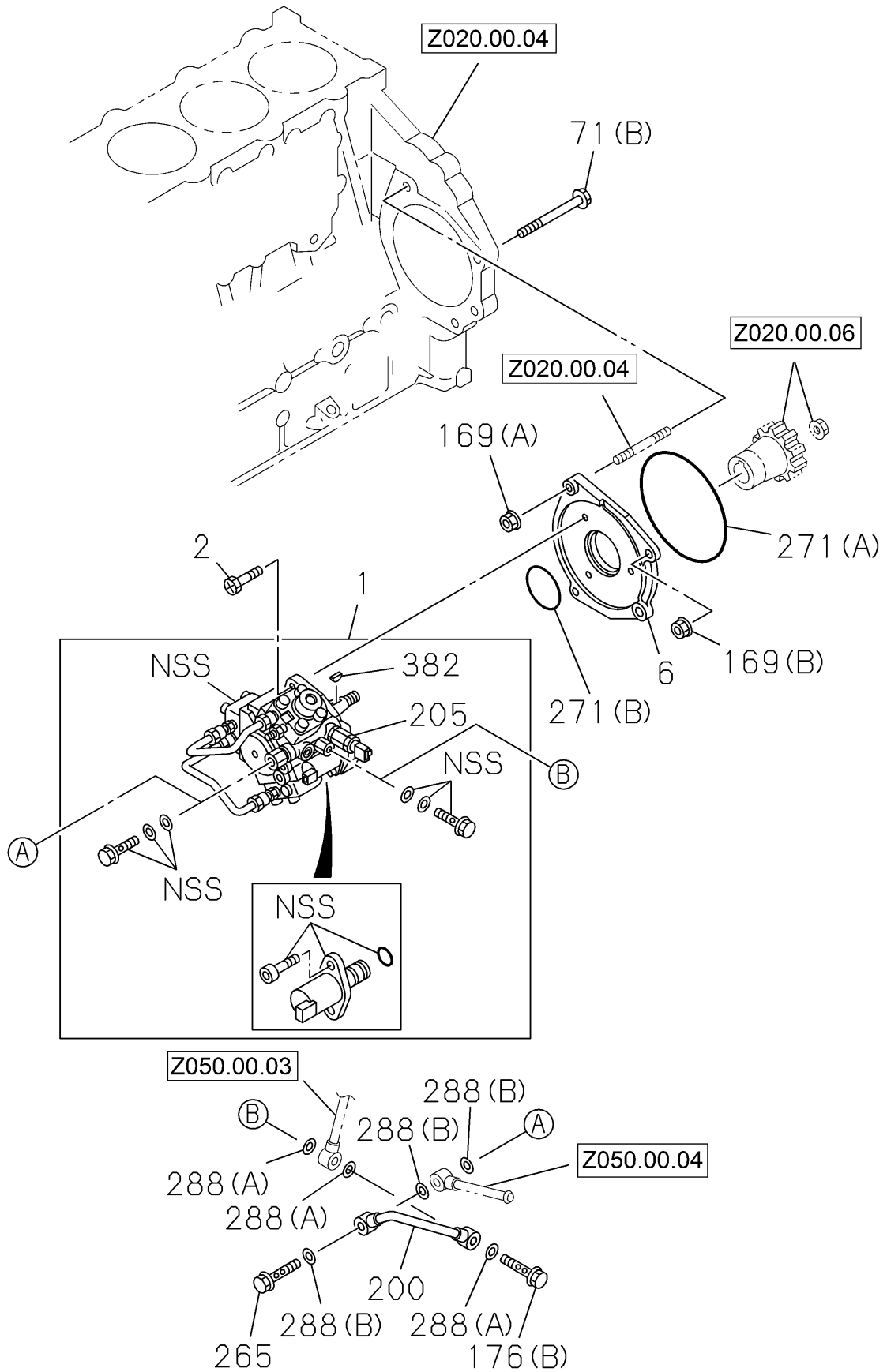
### FAN MUHAFAZASI FAN GUARD



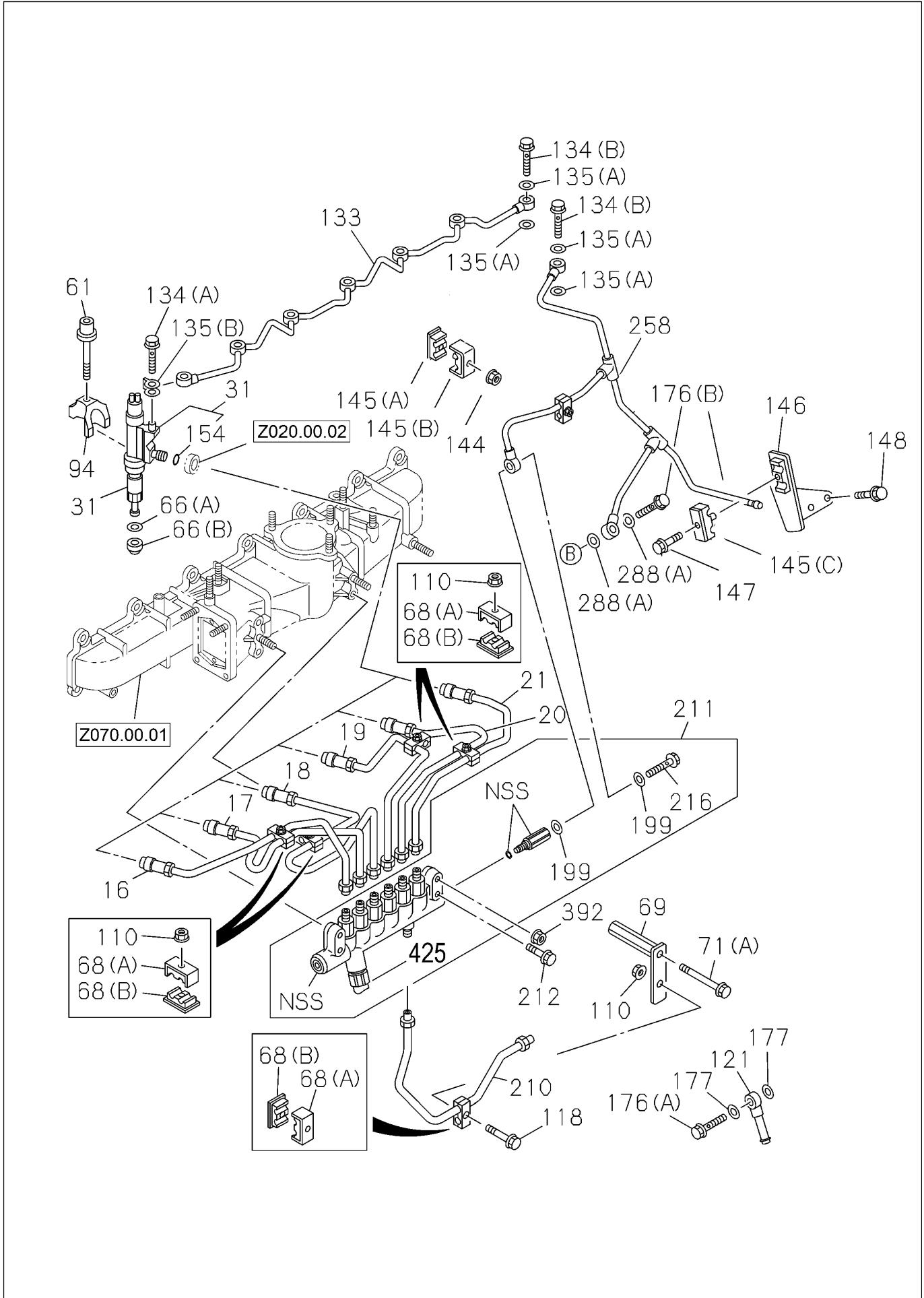
**YAKIT BESLEME POMPASI  
FUEL FEED PUMP**



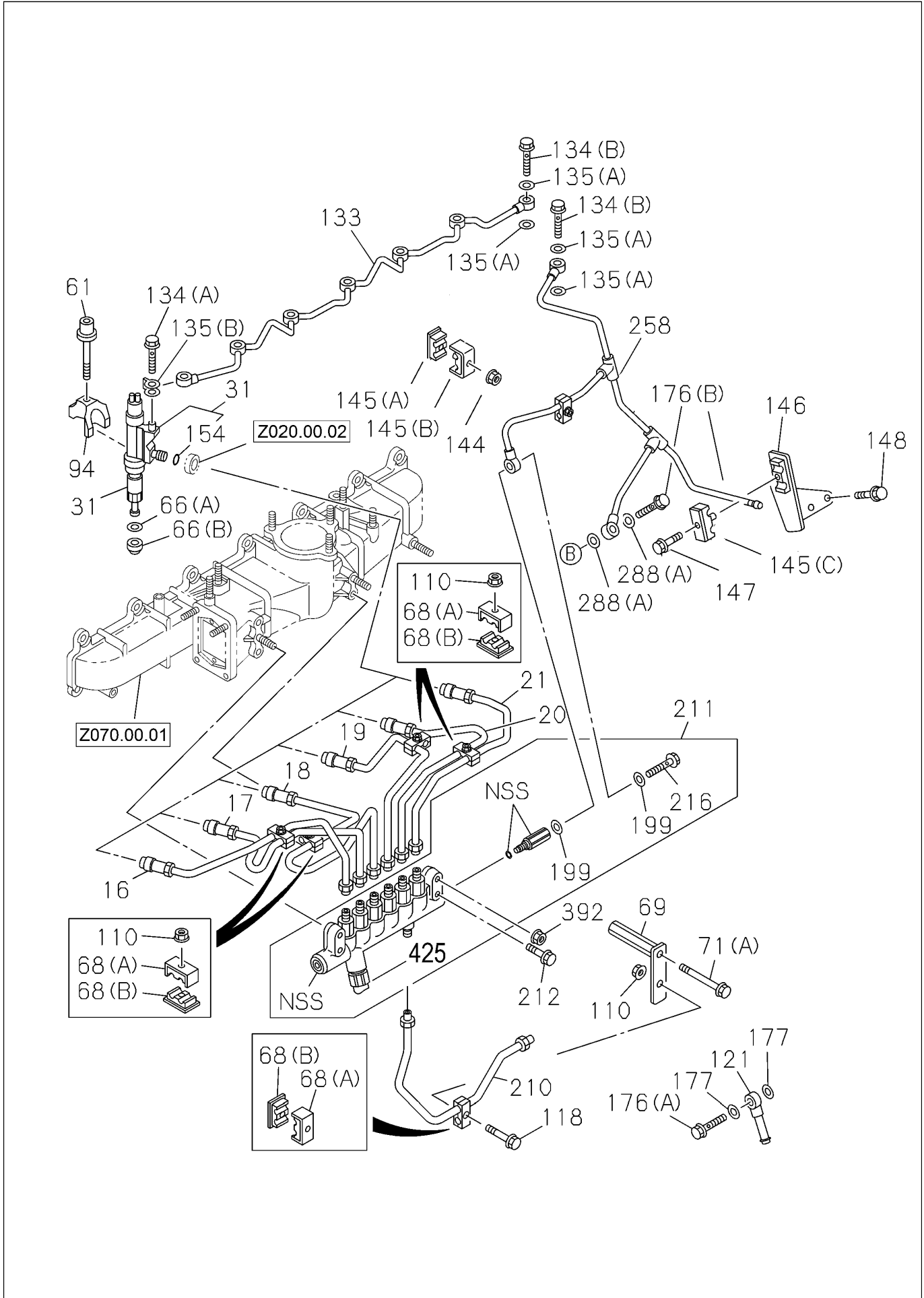
### YAKIT ENJEKSİYON SİSTEMİ 1 FUEL INJECTION SYSTEM 1



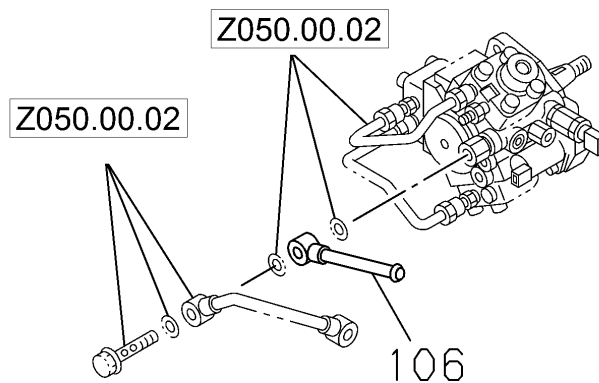
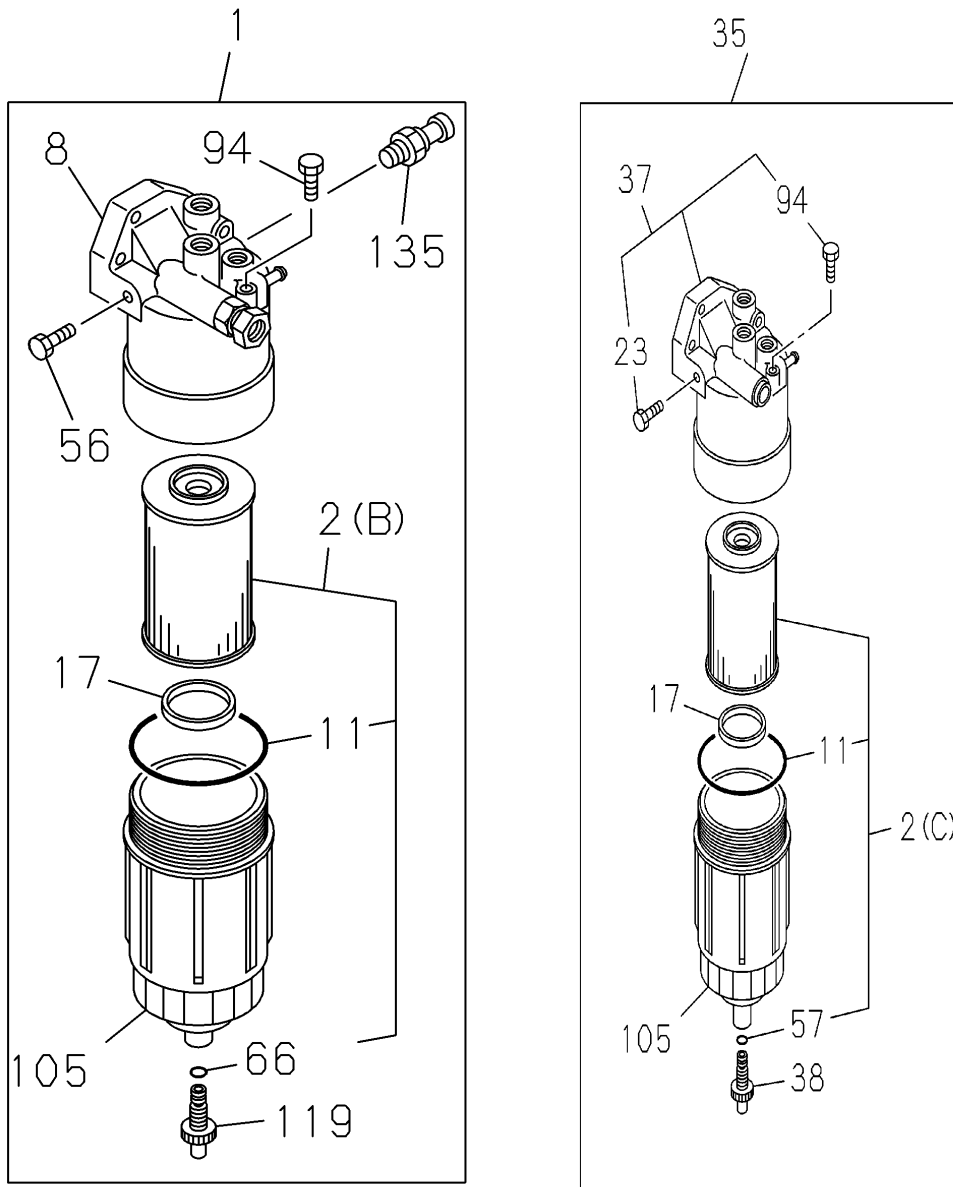
### YAKIT ENJEKSİYON SİSTEMİ 2 FUEL INJECTION SYSTEM 2



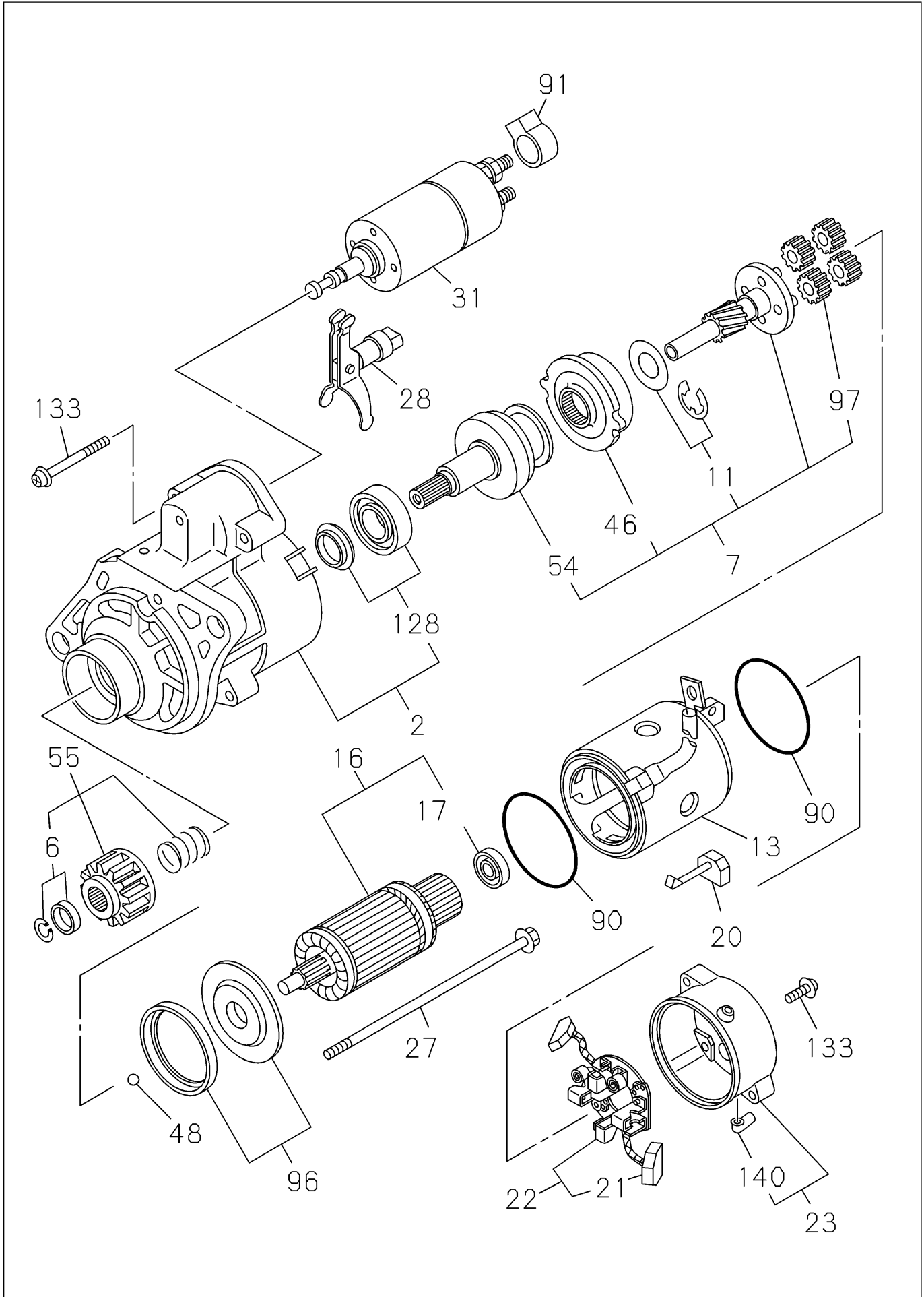
### YAKIT ENJEKSİYON SİSTEMİ 2 FUEL INJECTION SYSTEM 2



**YAKIT FİLTRESİ  
FUEL FILTER**

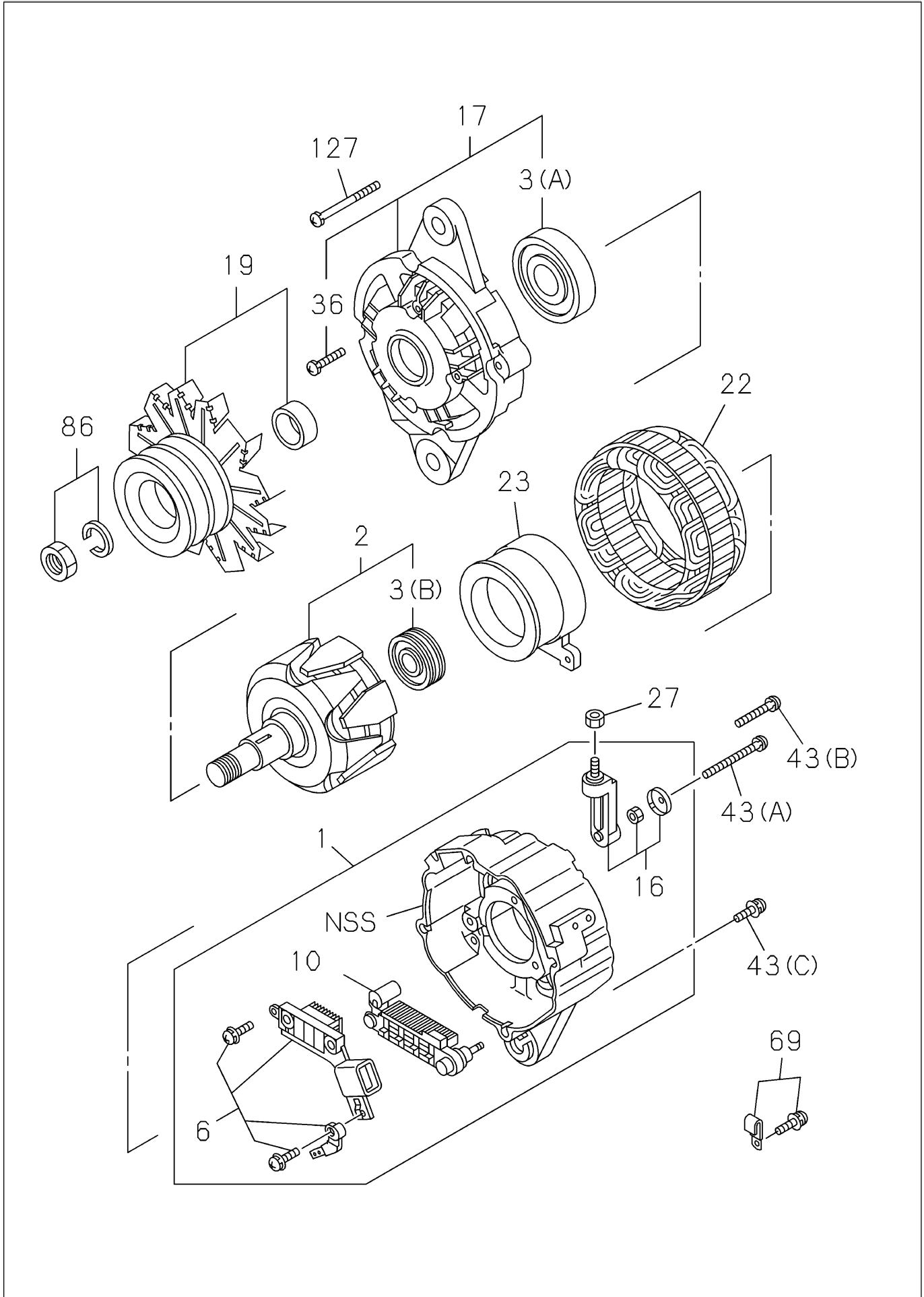


### MARŞ MOTORU STARTER

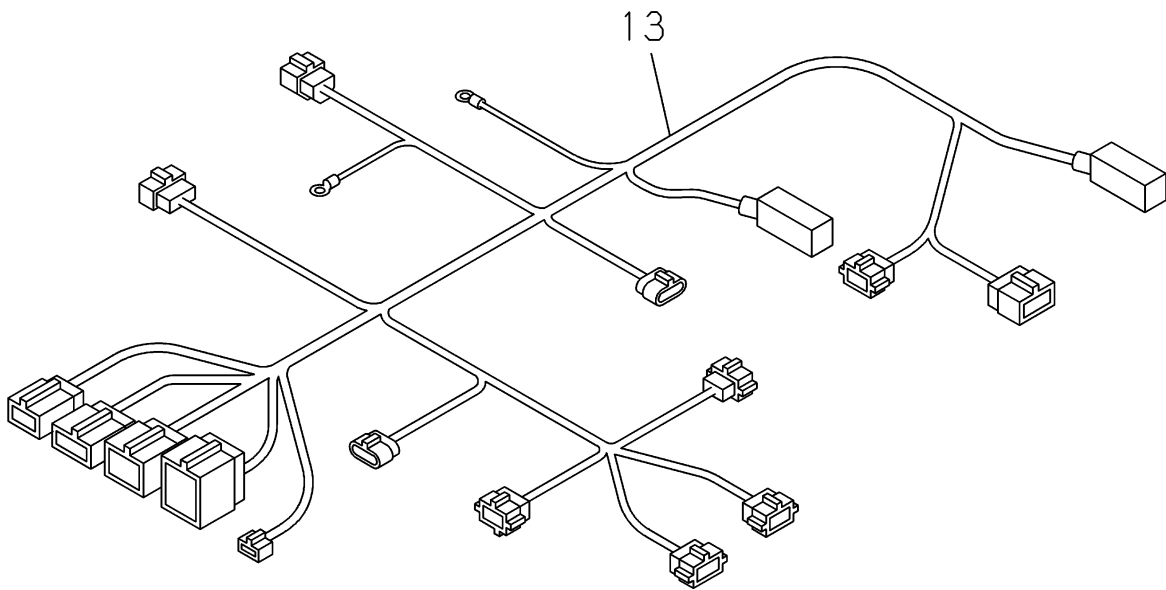




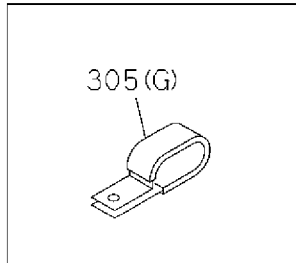
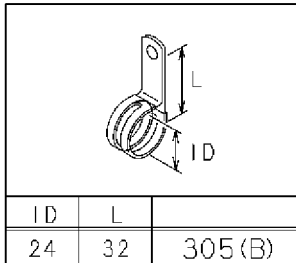
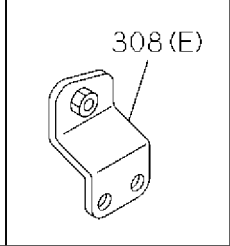
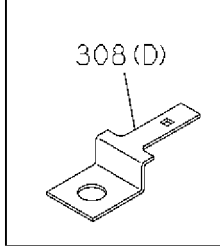
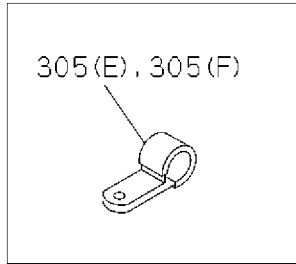
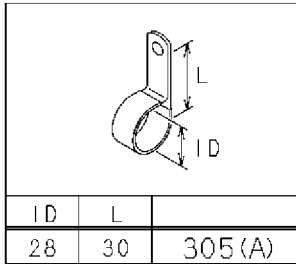
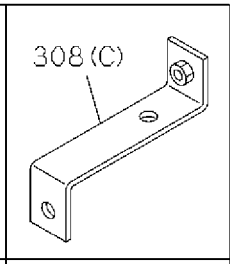
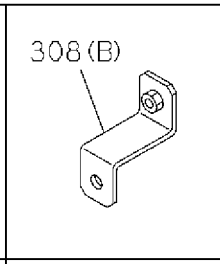
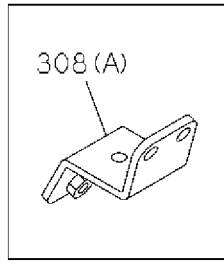
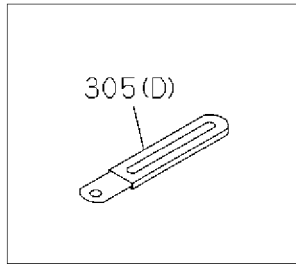
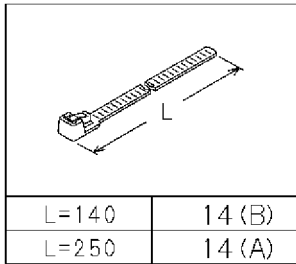
ALTERNATOR  
GENERATOR



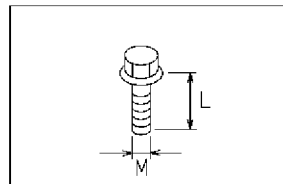
**MOTOR ELEKTRİK TESİSATI**  
**ENGINE WIRING HARNESS**



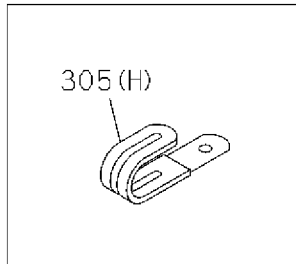
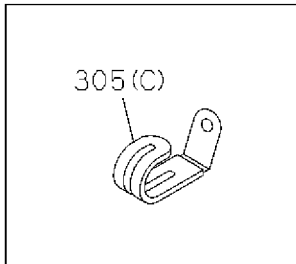
**ELEKTRİK TESİSATI SABİTLEME ELEMANLARI  
HARNESS FIXING PARTS**



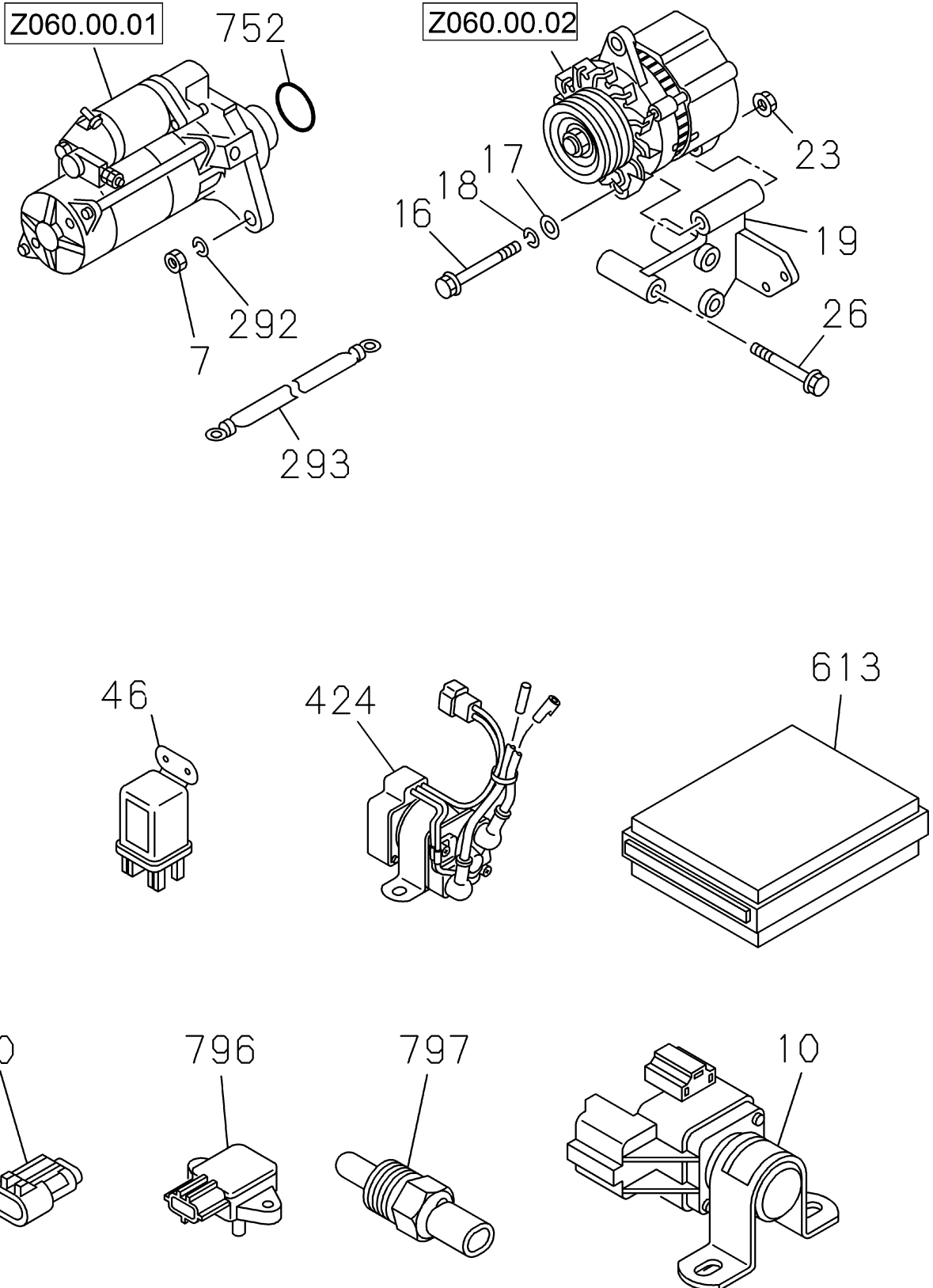
SIZE	KEY NO.
------	---------



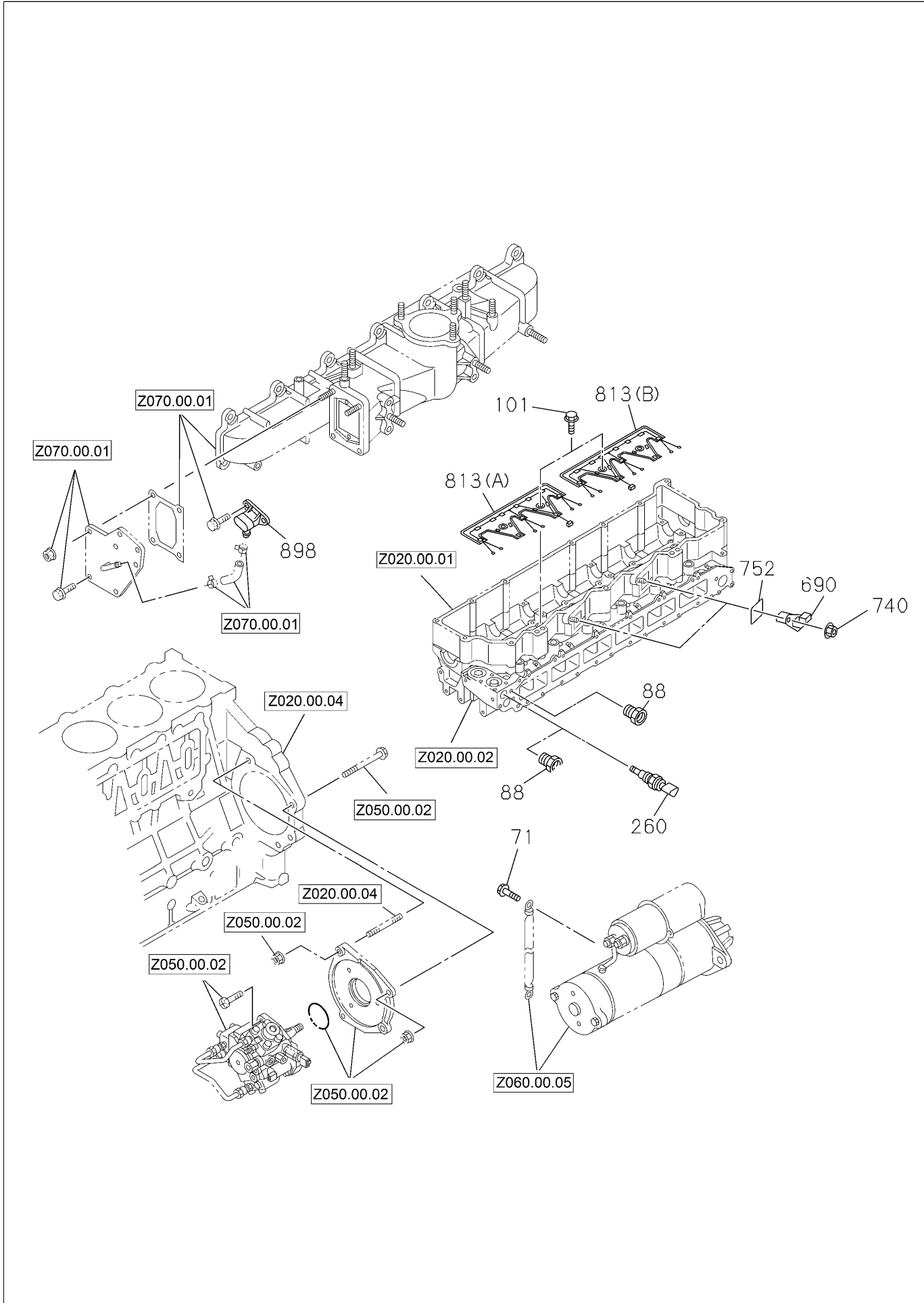
M	L	
8	10	304 (D)
8	12	304 (A)
8	12	304 (B)
10	20	304 (C)



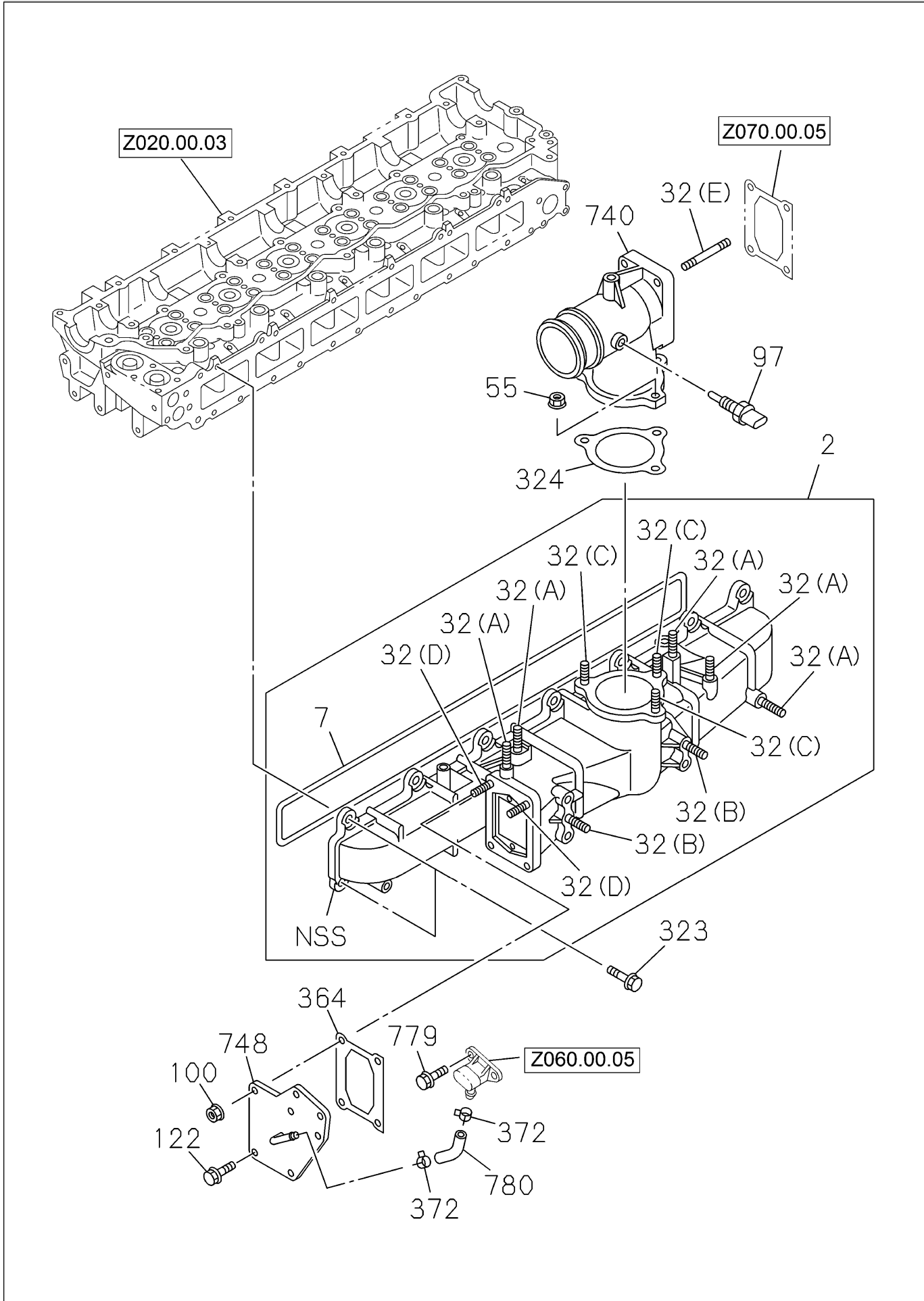
### ELEKTRİK KONTROL PARÇALARI 1 ELECTRIC CONTROL PARTS 1



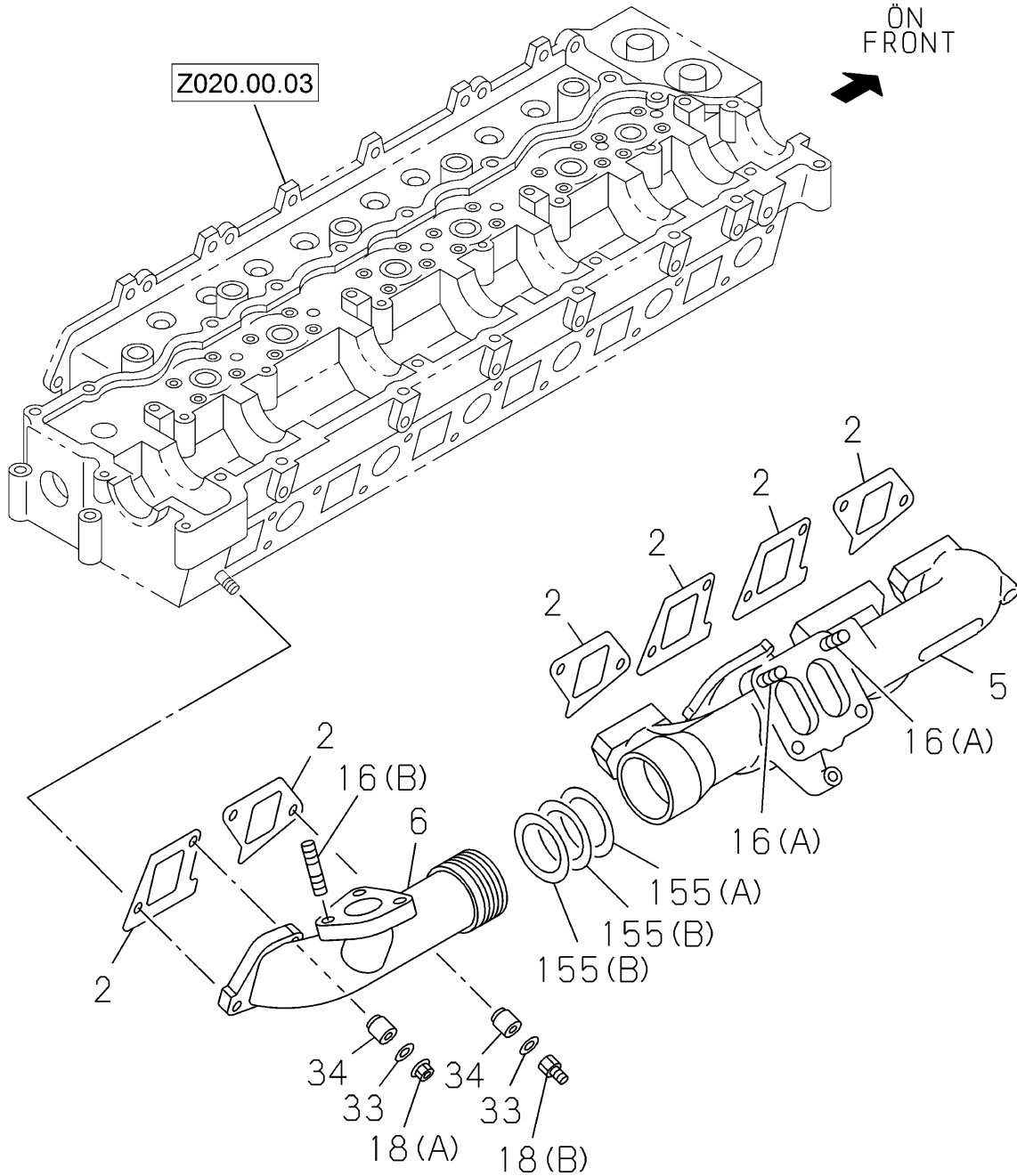
### ELEKTRİK KONTROL PARÇALARI 2 ELECTRIC CONTROL PARTS 2



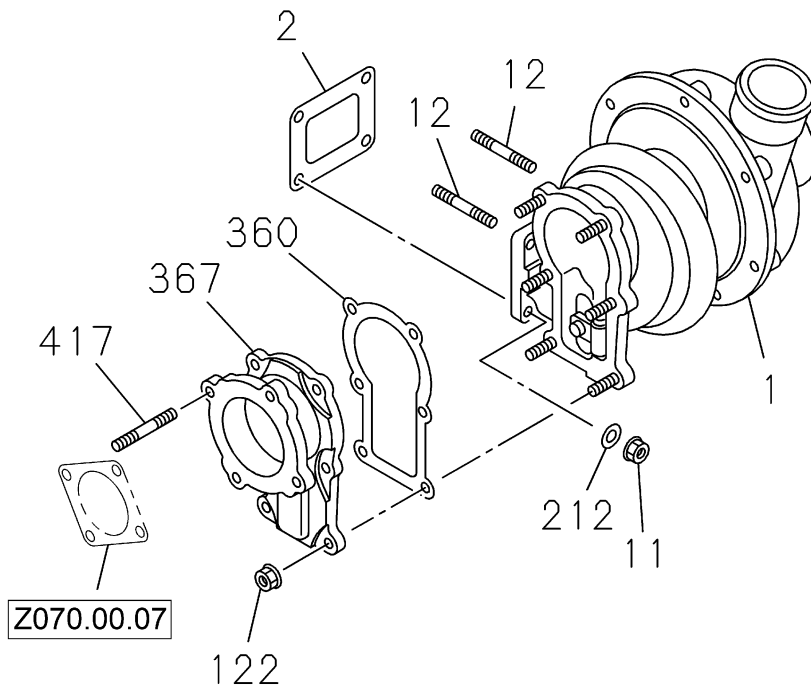
### EMME MANIFOLDU INLET MANIFOLD



### EGZOZ MANİFOLDU EXHAUST MANIFOLD

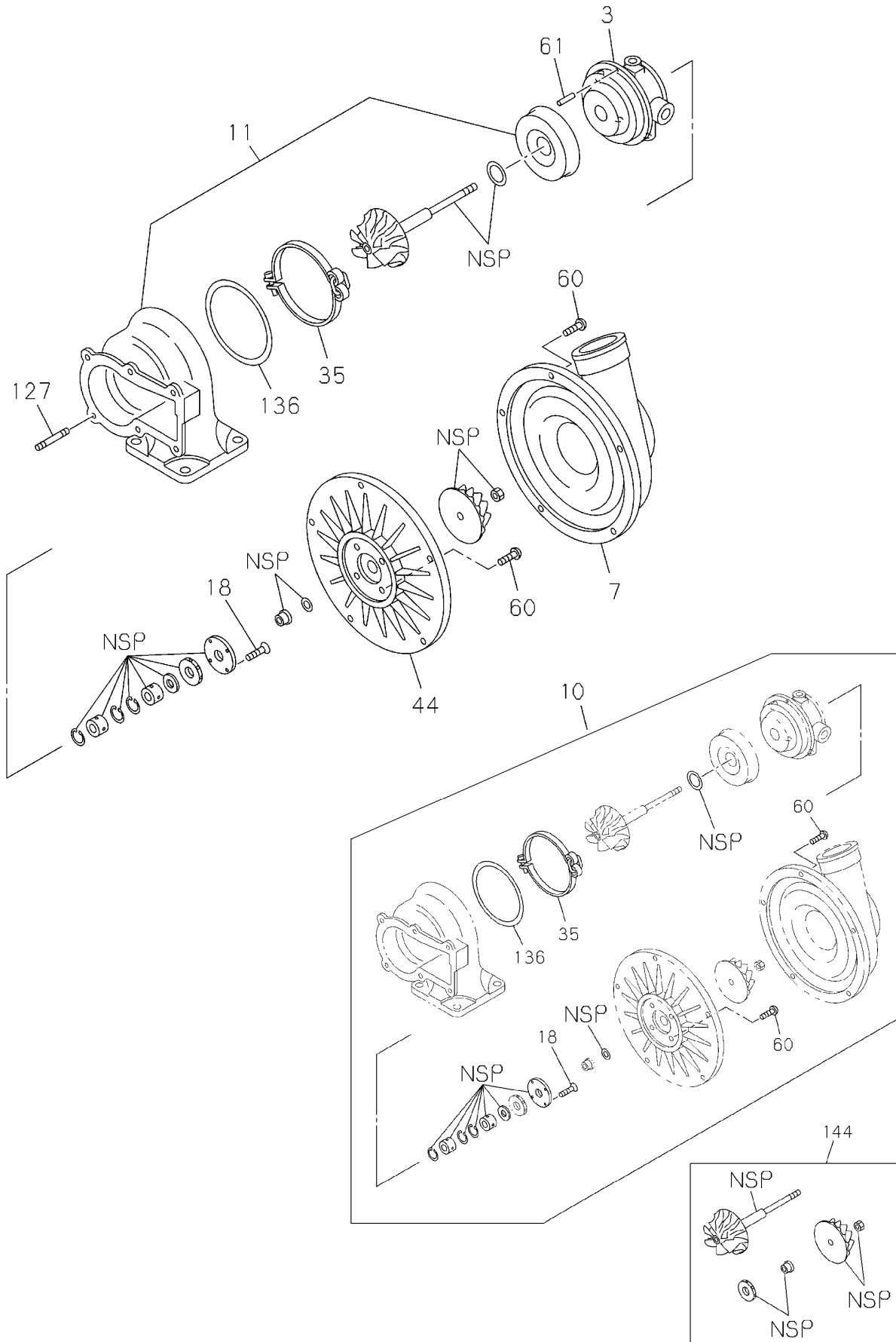


### TURBOŞARJ SİSTEMİ TURBOCHARGER SYSTEM

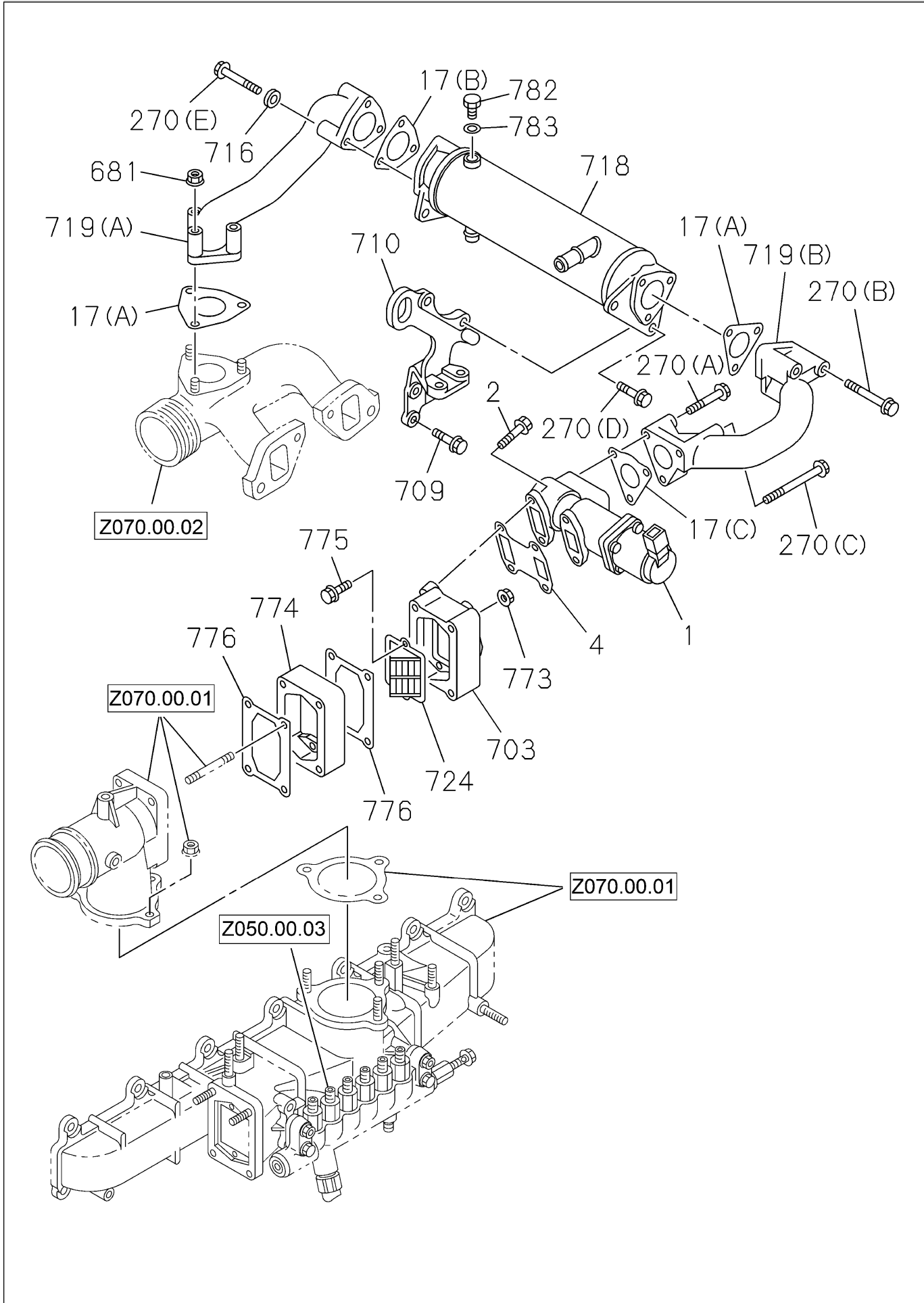




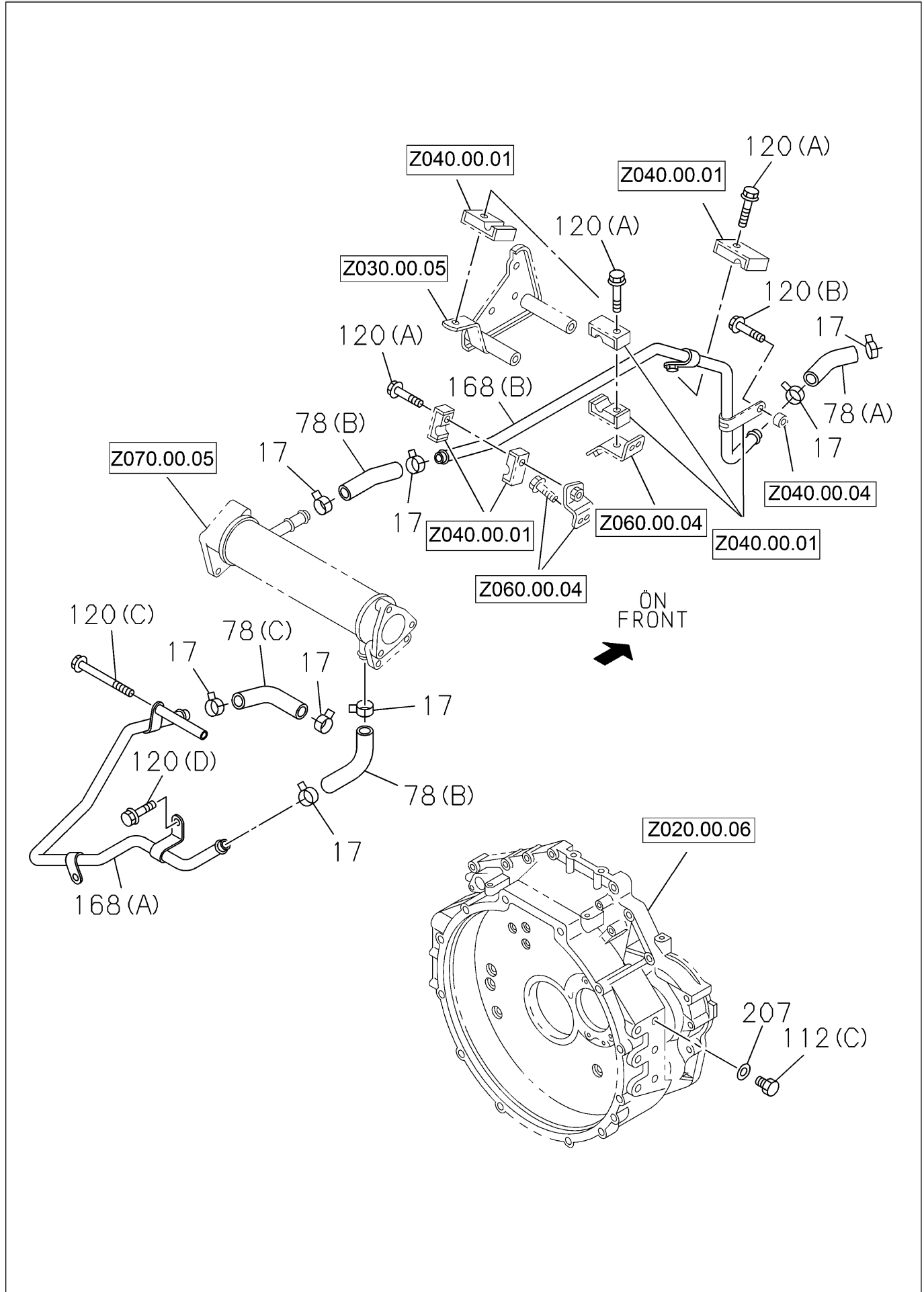
# TURBOŞARJ TURBOCHARGER



EGR  
EGR



## EGR SOĞUTUCU TESİSATI EGR WATER PIPING



### EGZOZ CONTASI EXHAUST GASKET

